



US00D803459S

(12) **United States Design Patent** (10) **Patent No.:** **US D803,459 S**
Wright (45) **Date of Patent:** **** Nov. 21, 2017**

- (54) **EDGELIT GARAGE LUMINAIRE**
- (71) Applicant: **Cooper Technologies Company**,
Houston, TX (US)
- (72) Inventor: **Timothy Wright**, Peachtree City, GA
(US)
- (73) Assignee: **Cooper Technologies Company**,
Houston, TX (US)
- (**) Term: **15 Years**
- (21) Appl. No.: **29/542,780**
- (22) Filed: **Oct. 16, 2015**

Related U.S. Application Data

- (63) Continuation of application No. 29/507,334, filed on Oct. 27, 2014, now Pat. No. Des. 741,535, which is a continuation of application No. 29/472,151, filed on Nov. 8, 2013, now Pat. No. Des. 718,485, which is a continuation of application No. 29/452,828, filed on Apr. 22, 2013, now Pat. No. Des. 695,945.
- (51) **LOC (10) Cl.** **26-03**
- (52) **U.S. Cl.**
USPC **D26/88**; D26/89
- (58) **Field of Classification Search**
USPC D26/24, 63, 67-70, 72, 80, 84, 88, 89,
D26/118, 122, 152
CPC F21S 8/04; F21S 8/026; F21S 8/033; F21S
8/036; F21S 8/03; F21S 8/043; F21S
8/046; F21S 8/06; F21S 8/061; F21S
8/063; F21S 8/068; F21S 8/088; F21S
13/02; F21S 9/037; F21V 21/04; F21V
17/02; F21V 17/04; F21V 17/164
See application file for complete search history.

(56) **References Cited**

U.S. PATENT DOCUMENTS

1,156,885 A	10/1915	Caine	
1,350,295 A	8/1920	Champeau	
1,622,087 A	3/1927	Calderwood	
1,756,361 A	4/1930	Johnson	
1,791,480 A	2/1931	Smith et al.	
1,821,733 A	9/1931	Thibodeau	
D106,281 S	10/1937	Browne	
D168,738 S	2/1953	Friedman	
D232,050 S	7/1974	Gore et al.	
D242,943 S	1/1977	Lazerson	
D259,518 S *	6/1981	Garcia	D26/131
D346,459 S	4/1994	King	
D351,481 S	10/1994	Cole, Jr.	
D384,431 S	9/1997	Bitton	
D468,049 S	12/2002	Ries et al.	
6,588,922 B1 *	7/2003	DeCicco	F21V 21/04 362/148
D556,939 S	12/2007	Gajewski	
D558,386 S *	12/2007	Bickler	D26/89
D584,442 S	1/2009	Benensohn	

(Continued)

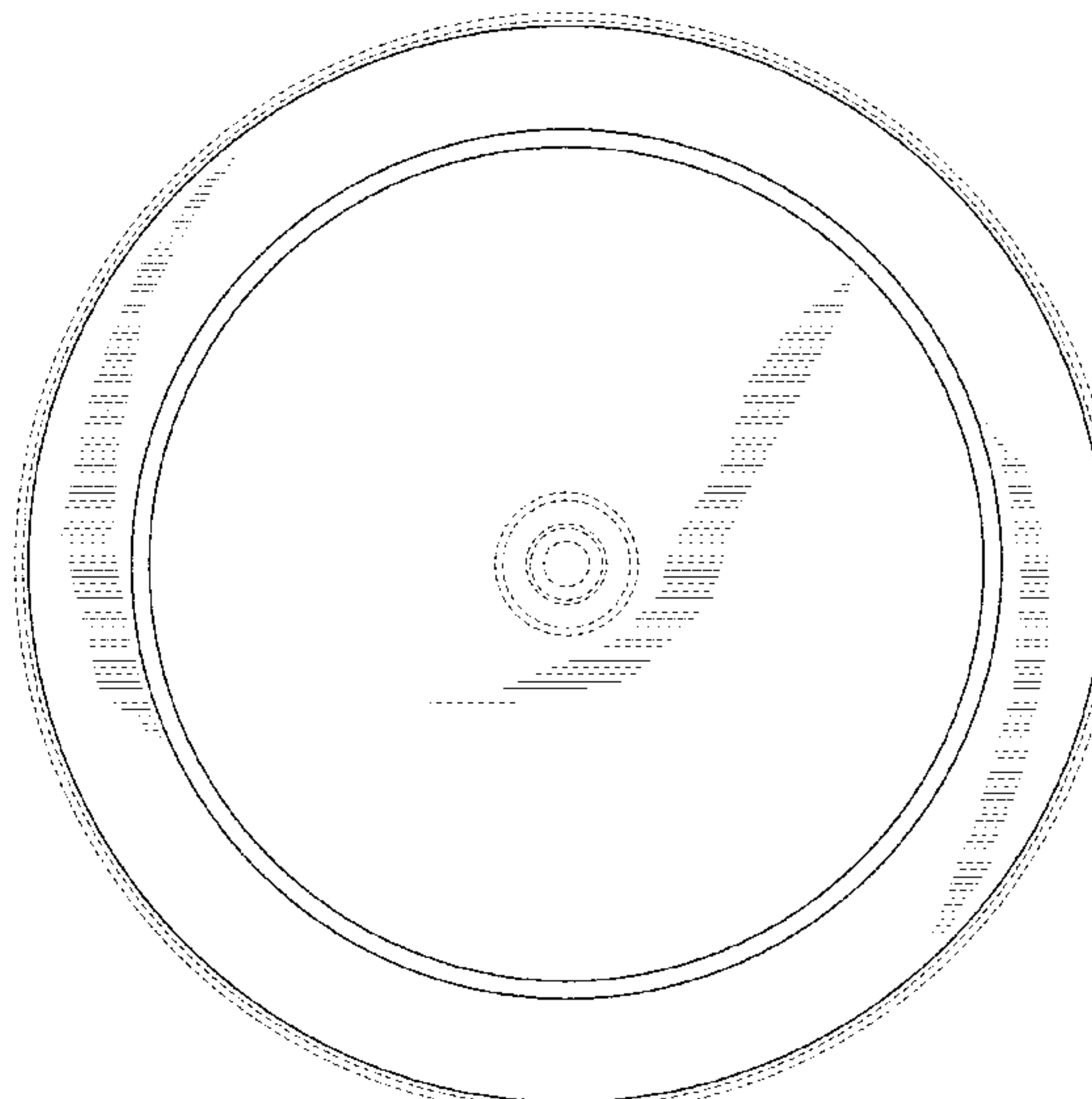
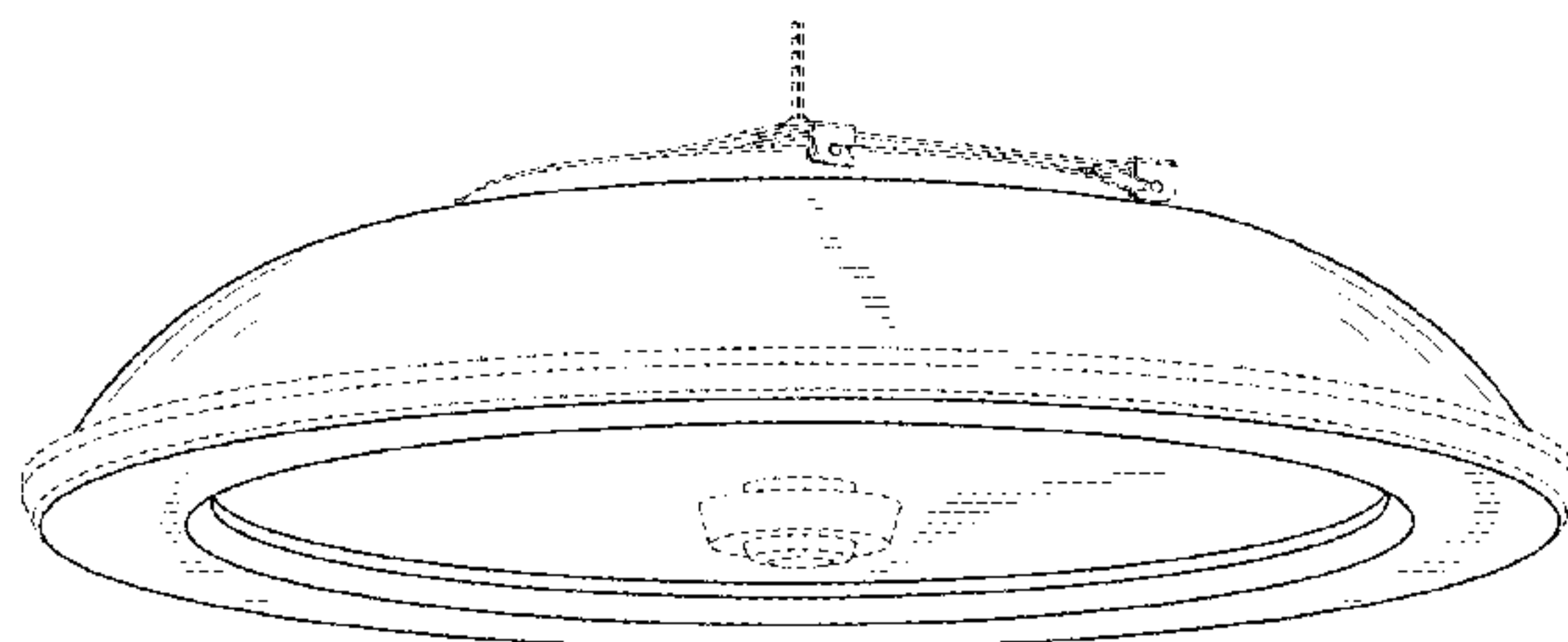
Primary Examiner — Clare E Hefflin
(74) *Attorney, Agent, or Firm* — King & Spalding LLP

(57) **CLAIM**
The ornamental design for an edgelit garage luminaire, as shown and described.

DESCRIPTION

FIG. 1 is a top perspective view of an edgelit garage luminaire, showing my new design;
FIG. 2 is a bottom perspective view thereof;
FIG. 3 is a bottom plan view thereof;
FIG. 4 is a top plan view thereof;
FIG. 5 is a left-side elevation view thereof;
FIG. 6 is a rear elevation view thereof;
FIG. 7 is a front elevation view thereof; and,
FIG. 8 is a right-side elevation view thereof.
The broken lines shown represent unclaimed subject matter and form no part of the claimed design.

1 Claim, 5 Drawing Sheets



(56)

References Cited

U.S. PATENT DOCUMENTS

D588,301 S 3/2009 Sabernig
 D602,192 S 10/2009 Tunze
 7,673,841 B2 3/2010 Wronski
 7,735,795 B2 6/2010 Wronski
 7,810,775 B2 10/2010 Dal Ponte et al.
 7,832,889 B1 11/2010 Cogliano
 D633,645 S * 3/2011 Verelst D26/89
 7,896,529 B2 3/2011 Wronski
 8,038,113 B2 10/2011 Fryzek et al.
 D656,263 S * 3/2012 Ogawa D26/74
 D656,265 S 3/2012 Sabernig
 D658,802 S * 5/2012 Chen D26/74
 8,177,176 B2 5/2012 Nguyen et al.
 D663,470 S * 7/2012 Ruiz D26/88
 8,240,630 B2 8/2012 Wronski
 D668,809 S * 10/2012 Rashidi D26/74
 D677,417 S * 3/2013 Rashidi F21S 8/026
 D26/74

D678,585 S * 3/2013 Schmitt D26/74
 D681,859 S * 5/2013 Beregszaszi D26/74
 D681,863 S * 5/2013 Chen D26/74
 D690,453 S * 9/2013 Guercio D26/72
 D695,945 S * 12/2013 Wright D26/88
 8,622,361 B2 1/2014 Wronski
 D718,485 S * 11/2014 Wright D26/88
 D727,549 S * 4/2015 Wang D26/85
 D727,552 S * 4/2015 Stolte D26/89
 D735,924 S * 8/2015 Boyer D26/89
 D741,535 S * 10/2015 Wright D26/88
 D742,583 S * 11/2015 Gettings D10/52
 D746,511 S * 12/2015 Gettings D26/135
 D767,809 S * 9/2016 Gotz-Schafer D26/74
 D772,466 S * 11/2016 Zhang D26/74
 2005/0183344 A1 8/2005 Ziobro et al.
 2005/0230589 A1 10/2005 Wronski
 2005/0247842 A1 11/2005 Wronski
 2007/0012847 A1 1/2007 Tai
 2007/0075206 A1 4/2007 Wright et al.
 2007/0261881 A1 11/2007 Wronski

* cited by examiner

FIG. 1

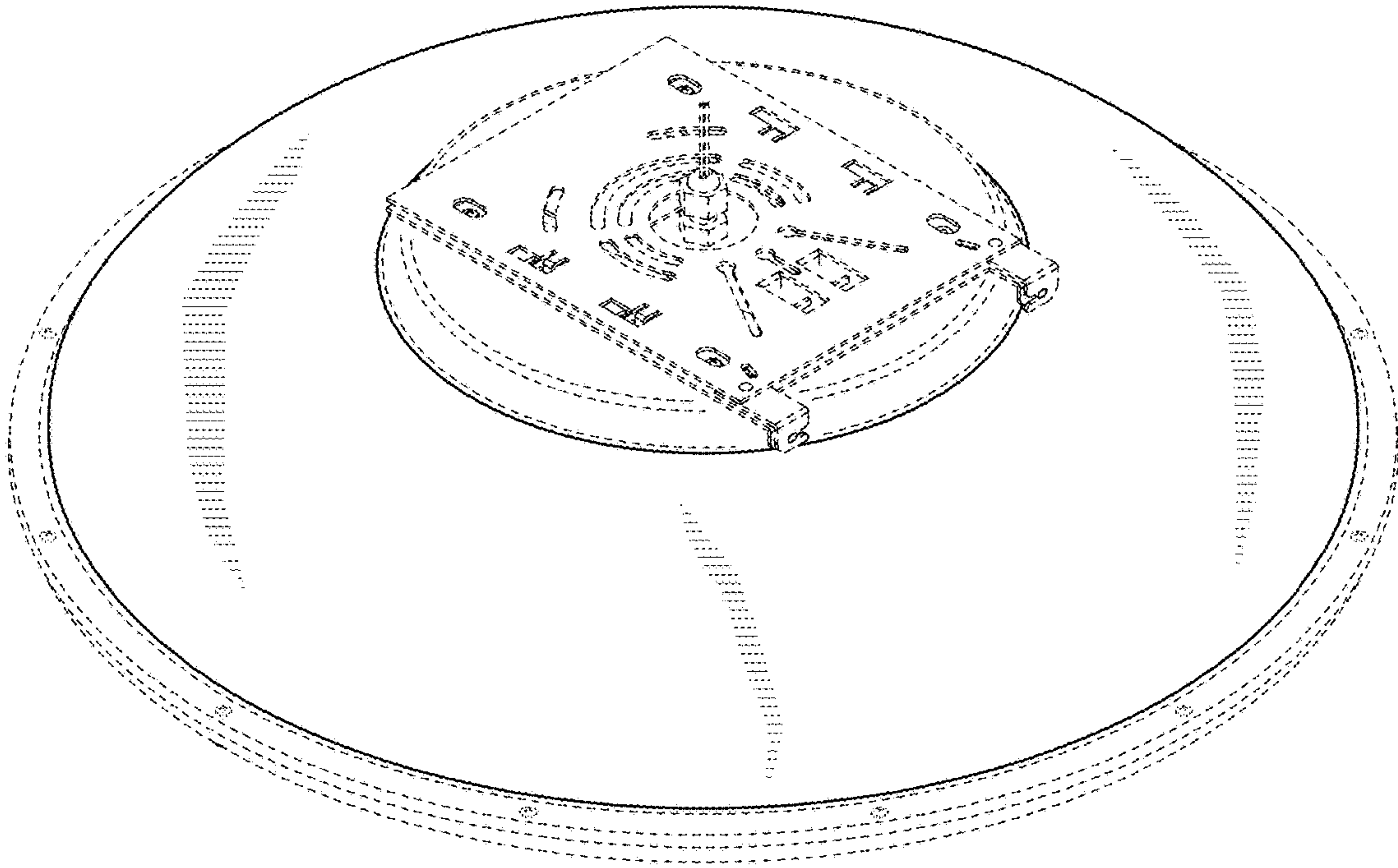


FIG. 2

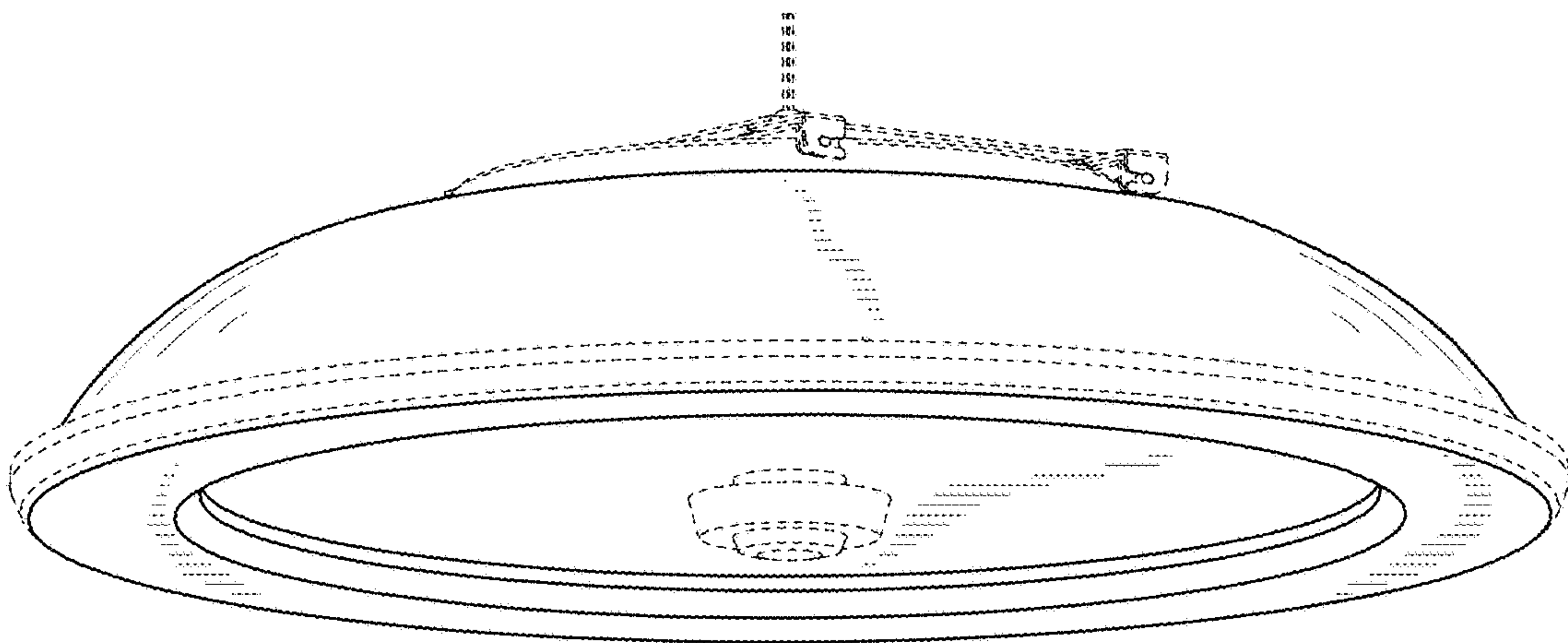


FIG. 3

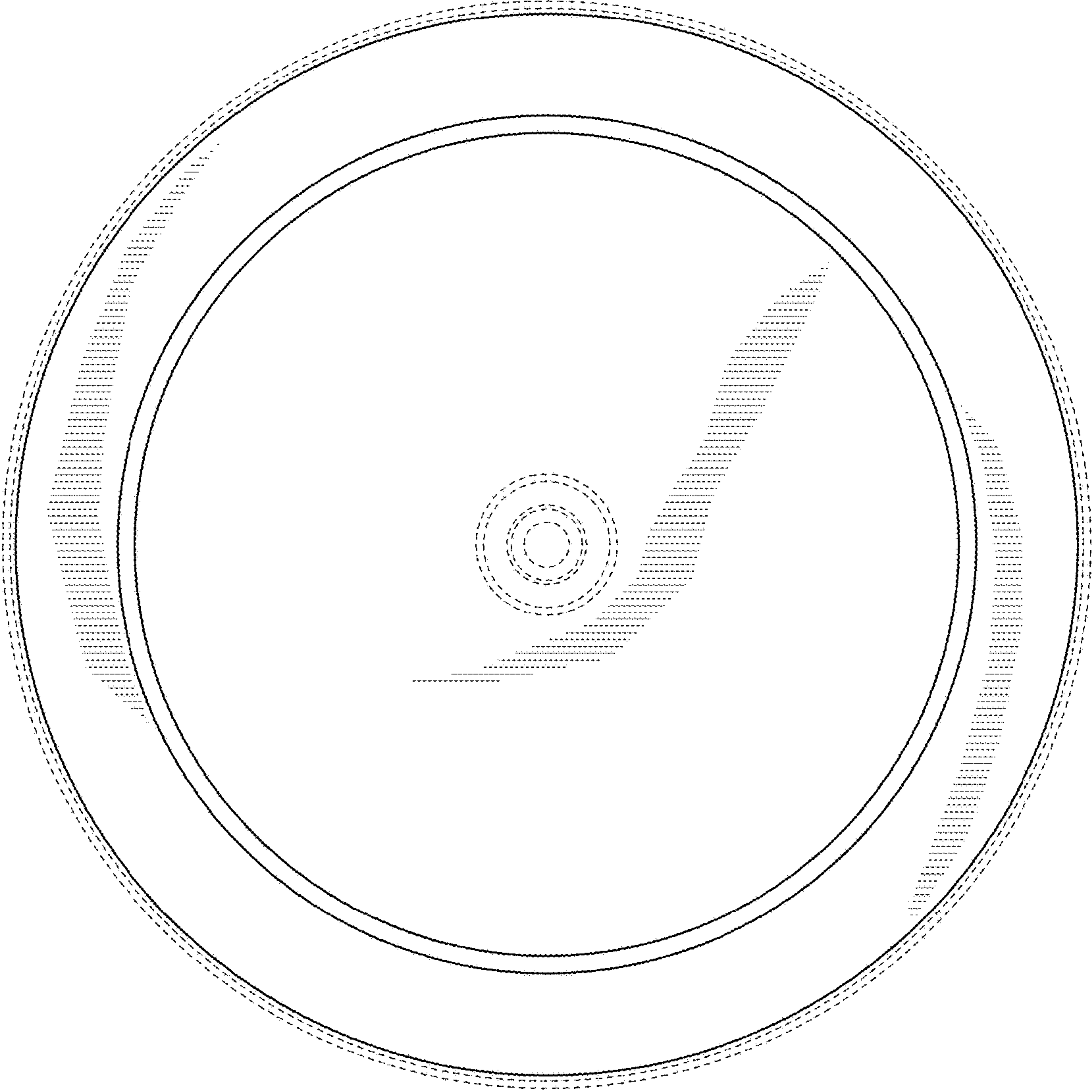


FIG. 4

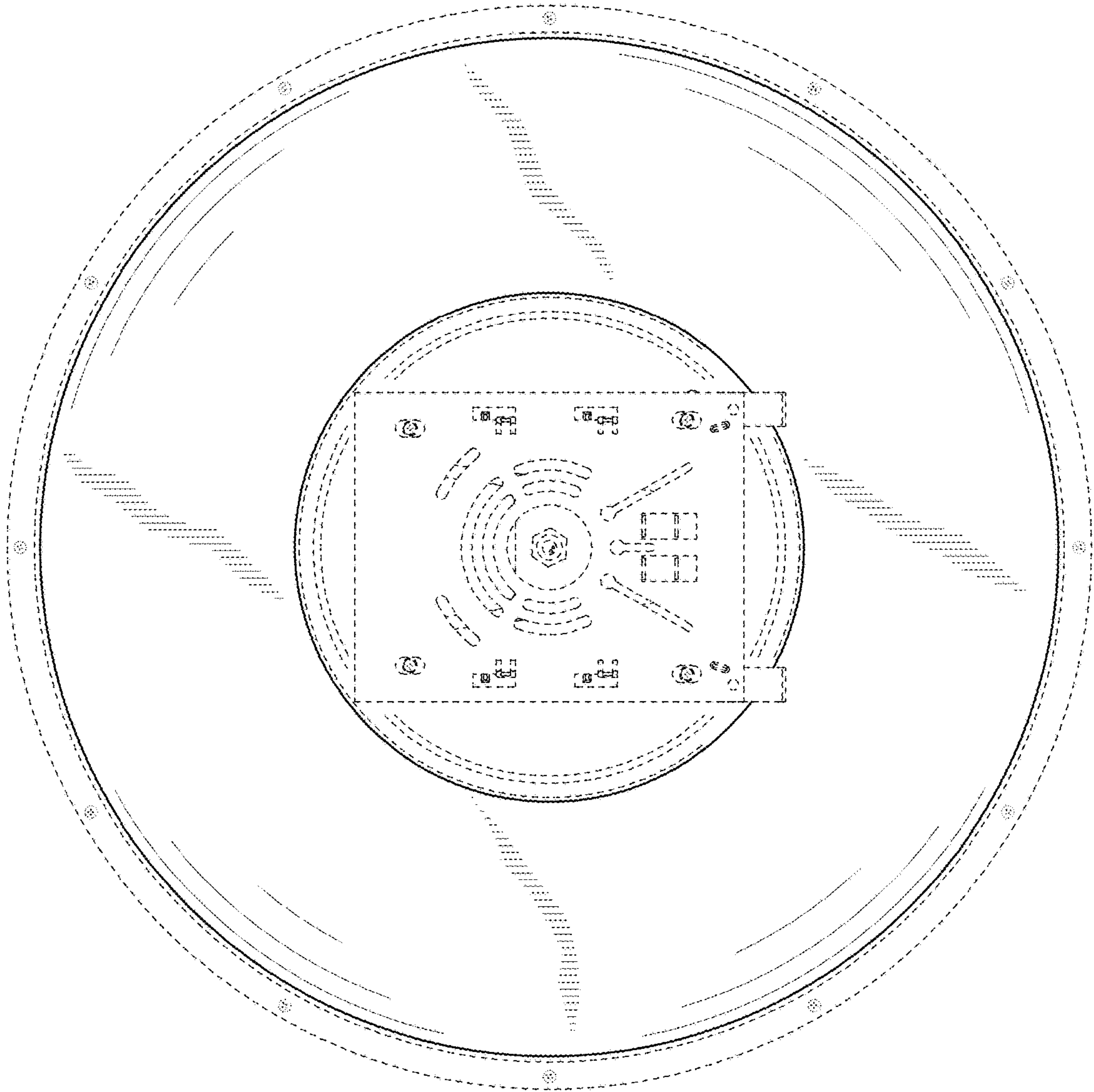


FIG. 5

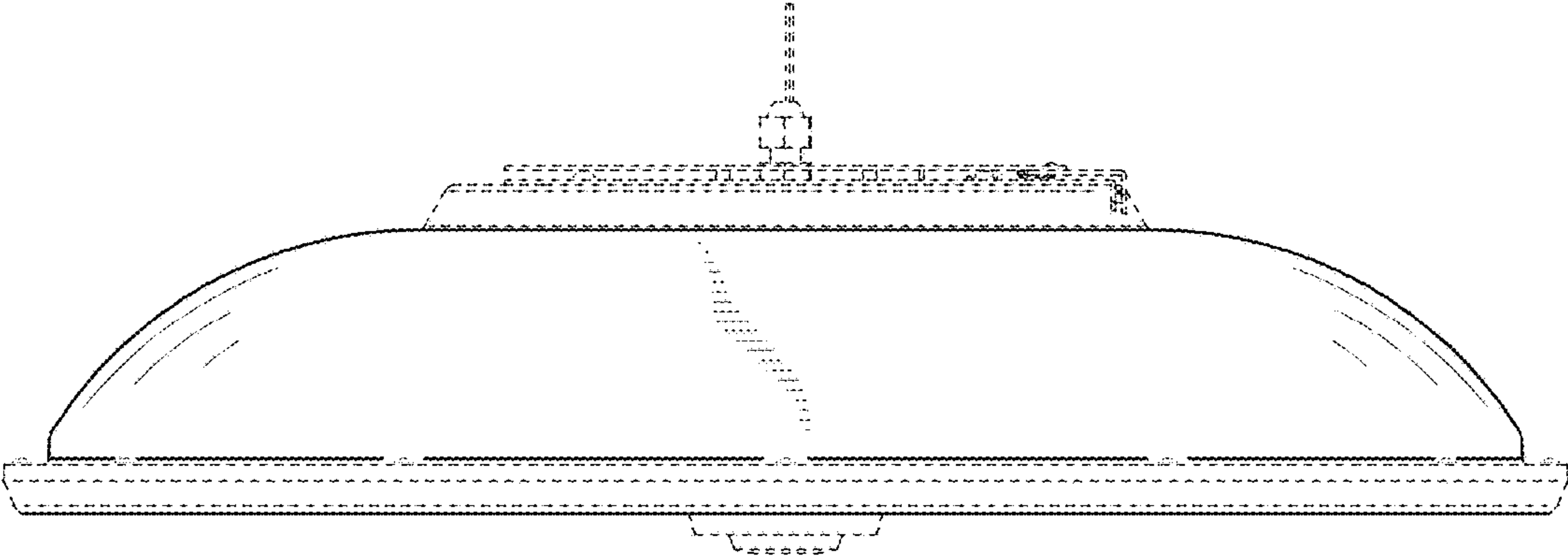


FIG. 6

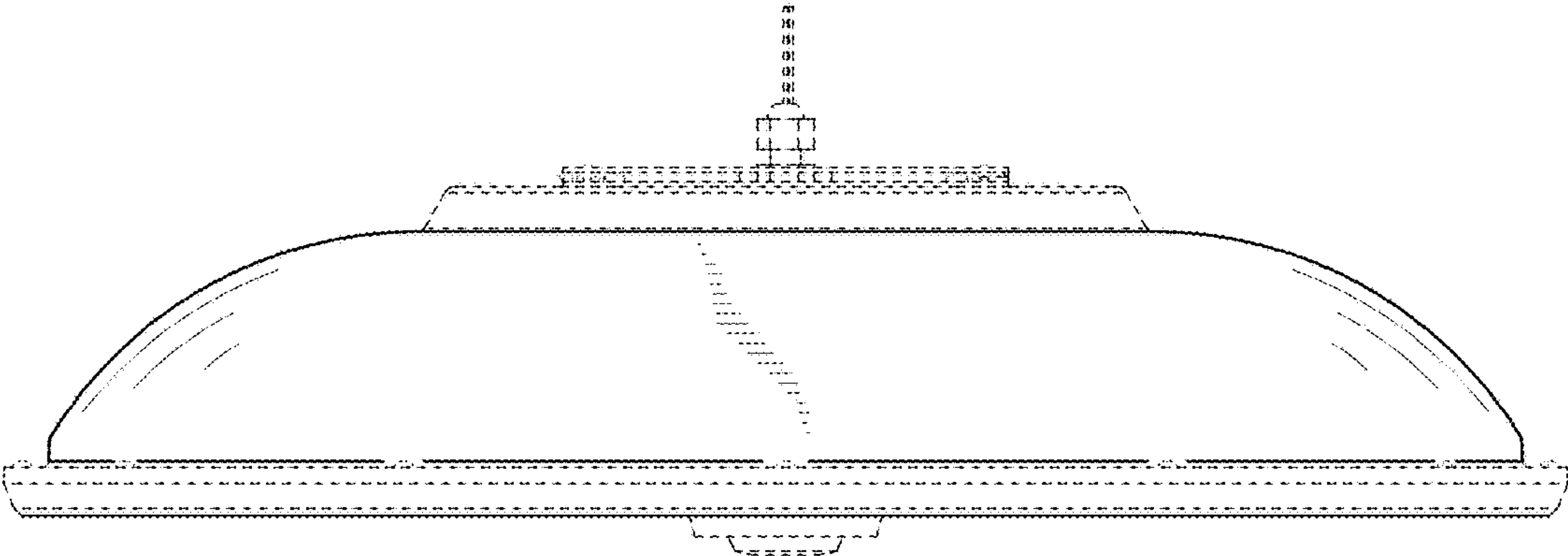


FIG. 7

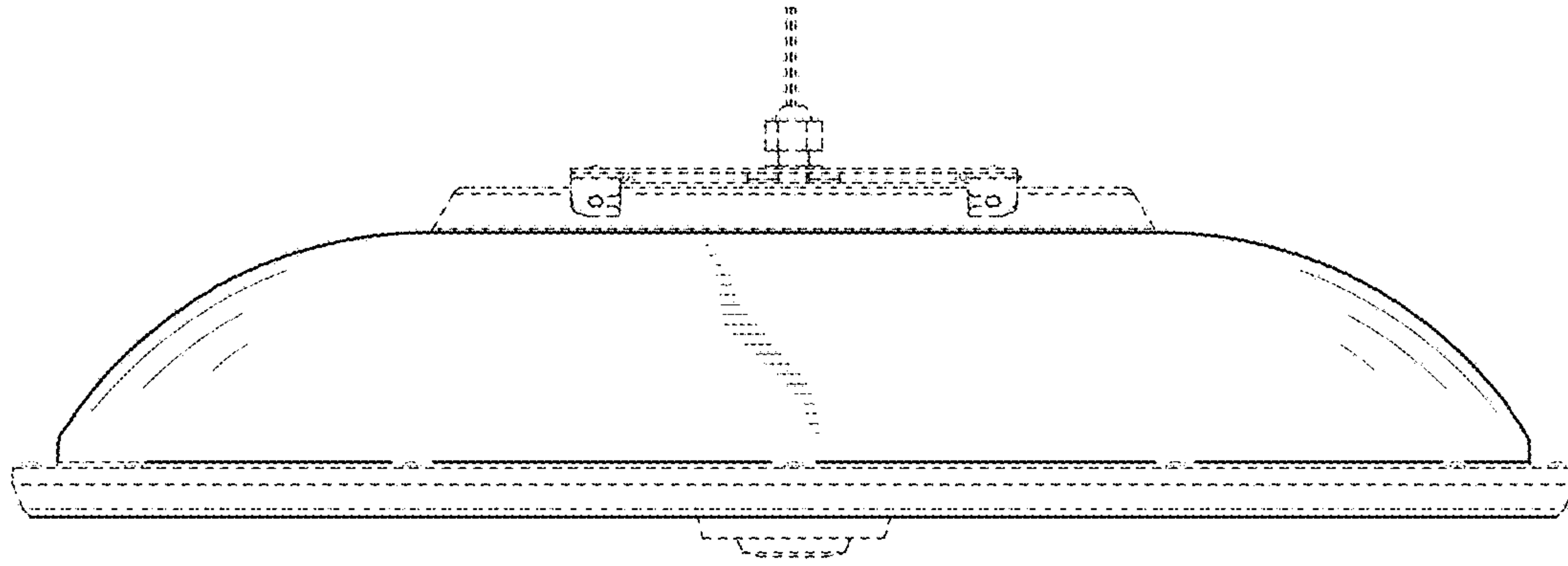


FIG. 8

