



US00D803458S

(12) **United States Design Patent** (10) **Patent No.:** **US D803,458 S**
Hendifar et al. (45) **Date of Patent:** **** Nov. 21, 2017**

(54) **LIGHTING FIXTURE**

(71) Applicant: **Apparatus LLC**, New York, NY (US)

(72) Inventors: **Gabriel Hendifar**, Rhinebeck, NY (US); **Jeremy R. Anderson**, Rhinebeck, NY (US)

(73) Assignee: **Apparatus LLC**, New York, NY (US)

(**) Term: **15 Years**

(21) Appl. No.: **29/562,871**

(22) Filed: **Apr. 29, 2016**

(51) **LOC (10) Cl.** **26-03**

(52) **U.S. Cl.**
USPC **D26/86**; D26/67; D26/87

(58) **Field of Classification Search**
USPC D26/67, 69, 70, 71, 80, 85, 86, 87, 102, D26/118

CPC F21S 6/005; F21S 8/03; F21S 8/031; F21S 8/033; F21S 8/036; F21S 8/04; F21S 8/043; F21S 8/046; F21S 8/06; F21S 8/061; F21S 8/063; F21S 8/065; F21S 8/066; F21S 8/068

See application file for complete search history.

(56) **References Cited**

U.S. PATENT DOCUMENTS

D110,165 S * 6/1938 Arenberg D26/76
D117,911 S * 12/1939 Sacksteder, Jr. D26/128
D129,921 S * 10/1941 Irmischer 362/225
D155,123 S * 9/1949 Boynton D26/80
2,543,713 A * 2/1951 Yeager F21S 8/04
362/216
D180,251 S * 5/1957 Stiffel D26/102
D180,535 S * 6/1957 Stevens D26/24
2,878,372 A * 3/1959 Fry F21S 8/00
362/216
D189,857 S * 3/1961 Lasker D26/85
D203,350 S * 12/1965 Bobrick D26/69

D203,351 S * 12/1965 Bobrick D26/69
D226,533 S * 3/1973 Porter D26/102
D240,653 S * 7/1976 Eftekhar D26/80
D294,179 S * 2/1988 Lasker D26/65
D349,357 S * 8/1994 Herst D26/76
D374,735 S * 10/1996 Huang D26/102
D377,993 S * 2/1997 Herst D26/107
D380,564 S * 7/1997 Yuen D26/26
D411,030 S * 6/1999 Chen D26/87
D498,018 S * 11/2004 Sieczkowski D26/118
D565,774 S * 4/2008 Martineau D26/72
D619,291 S * 7/2010 Thevenot D26/75
D647,241 S * 10/2011 Takahashi D26/72

(Continued)

OTHER PUBLICATIONS

Ormonde Furniture & Interiors; Facebook Posting of Feb. 4, 2016; Modéle 'Gélule'—Collection Joseph Dirand; Design: Joseph Dirand pour Ozone.

Primary Examiner — Clare E Hefflin

(74) *Attorney, Agent, or Firm* — Gottlieb, Rackman & Reisman, P.C.

(57) **CLAIM**

The ornamental design for a lighting fixture, as shown and described.

DESCRIPTION

FIG. 1 is a front perspective view of the lighting fixture showing our new design;

FIG. 2 is a top plan view thereof;

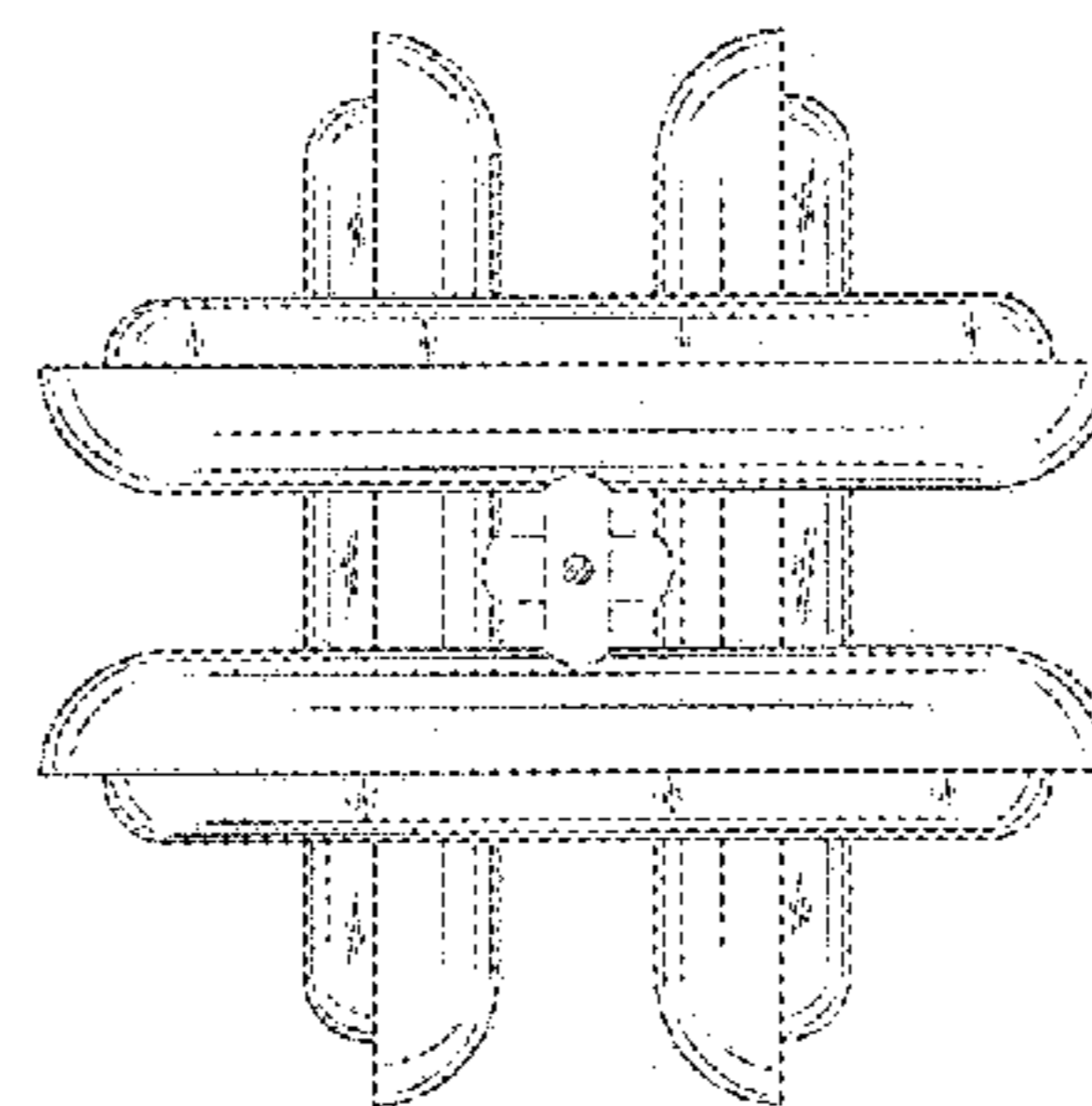
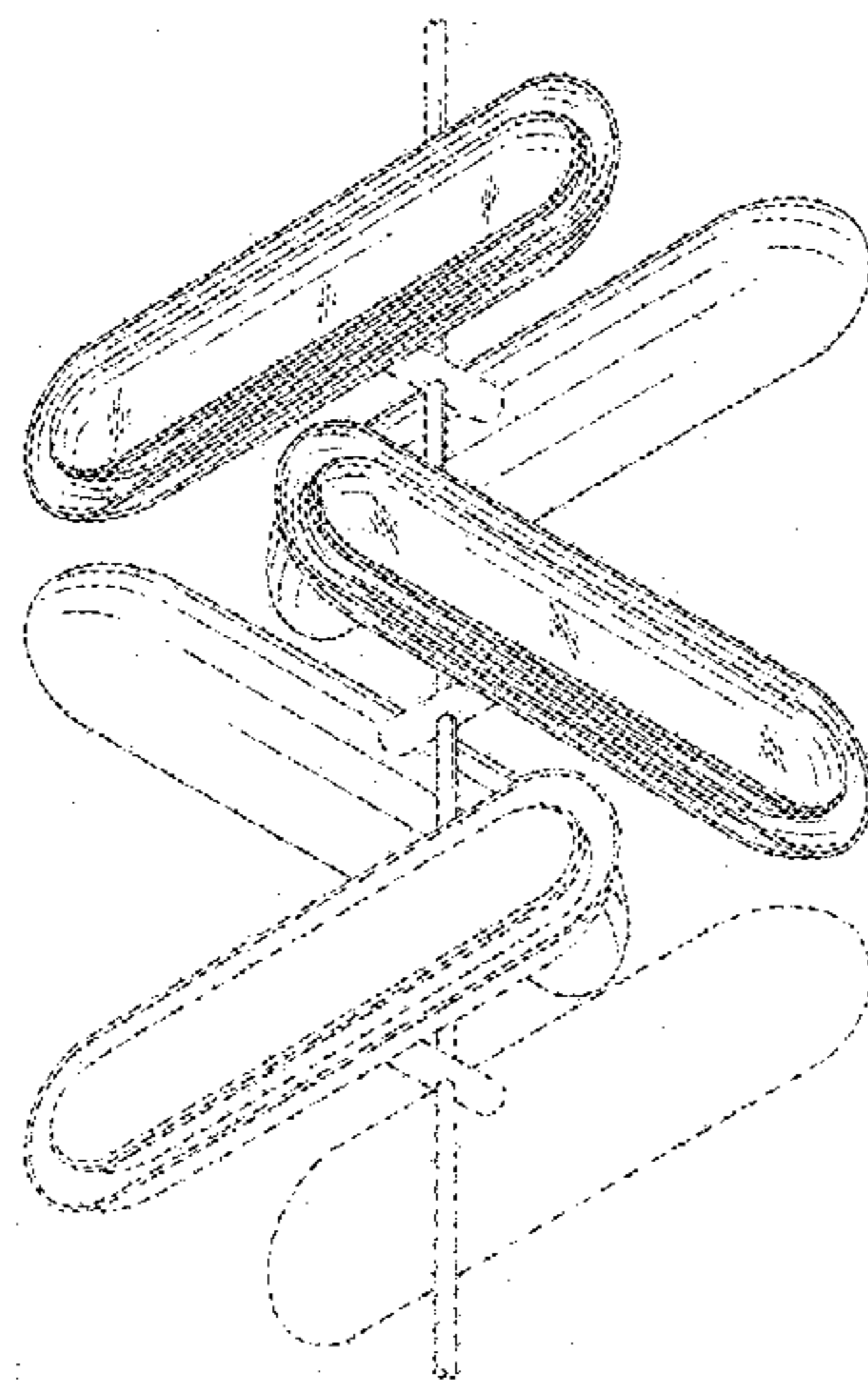
FIG. 3 is a front elevational view thereof, with the rear elevational view being the same;

FIG. 4 is left side elevational view thereof, with the right side elevational view being the same; and,

FIG. 5 is a bottom plan view thereof.

The broken lines in FIG. 1-FIG. 5 are for the purposes of illustrating environment only and form no part of the claimed design.

1 Claim, 5 Drawing Sheets



(56)

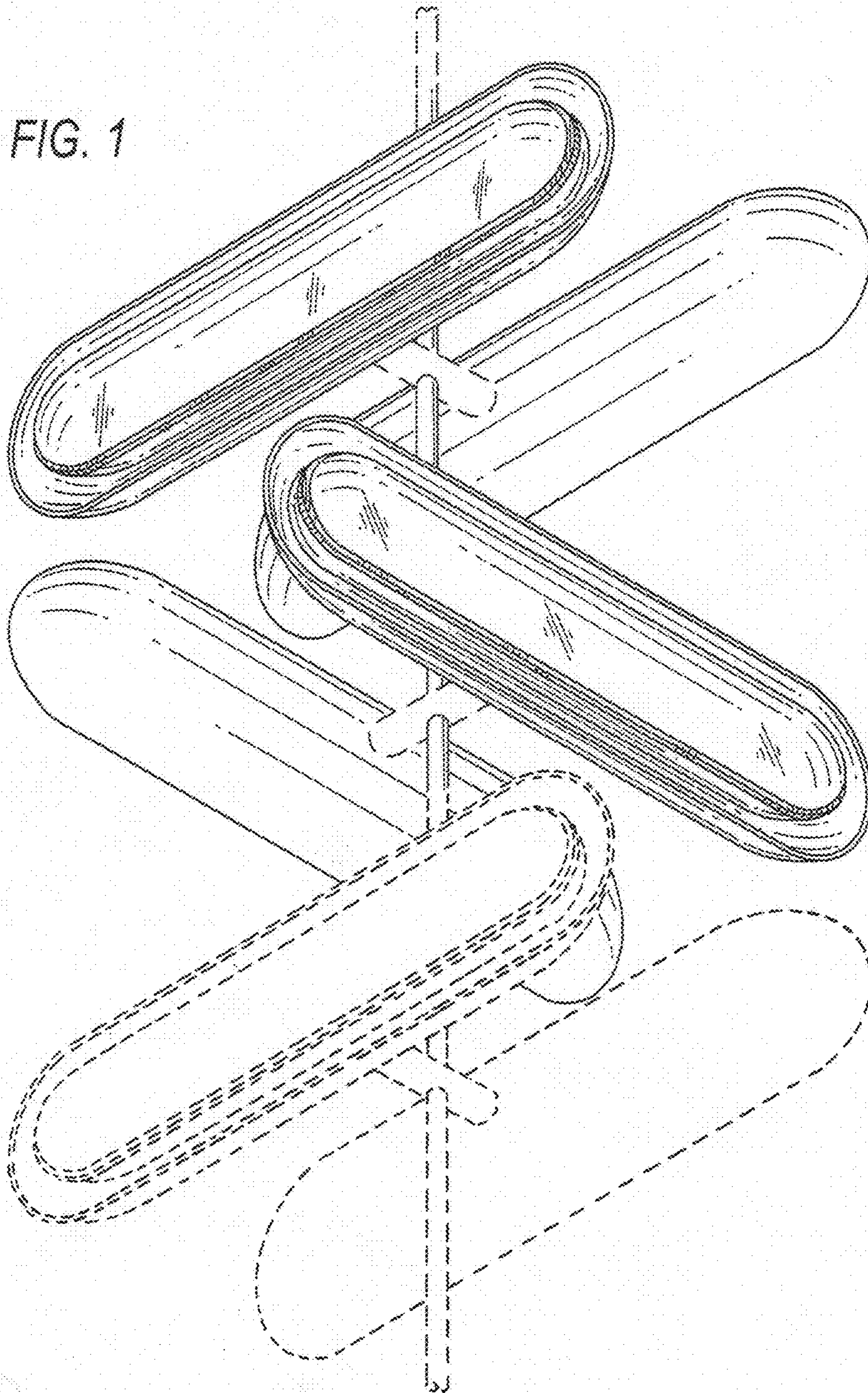
References Cited

U.S. PATENT DOCUMENTS

D674,951 S *	1/2013	Sonneman	D26/102
D742,054 S *	10/2015	Fisher	D26/85
D784,595 S *	4/2017	Amato	D26/85
2014/0126193 A1 *	5/2014	Dixon	F21S 8/063
				362/217.02
2017/0198872 A1 *	7/2017	Sonneman	F21S 8/065
2017/0198894 A1 *	7/2017	Sonneman	F21V 21/35

* cited by examiner

FIG. 1



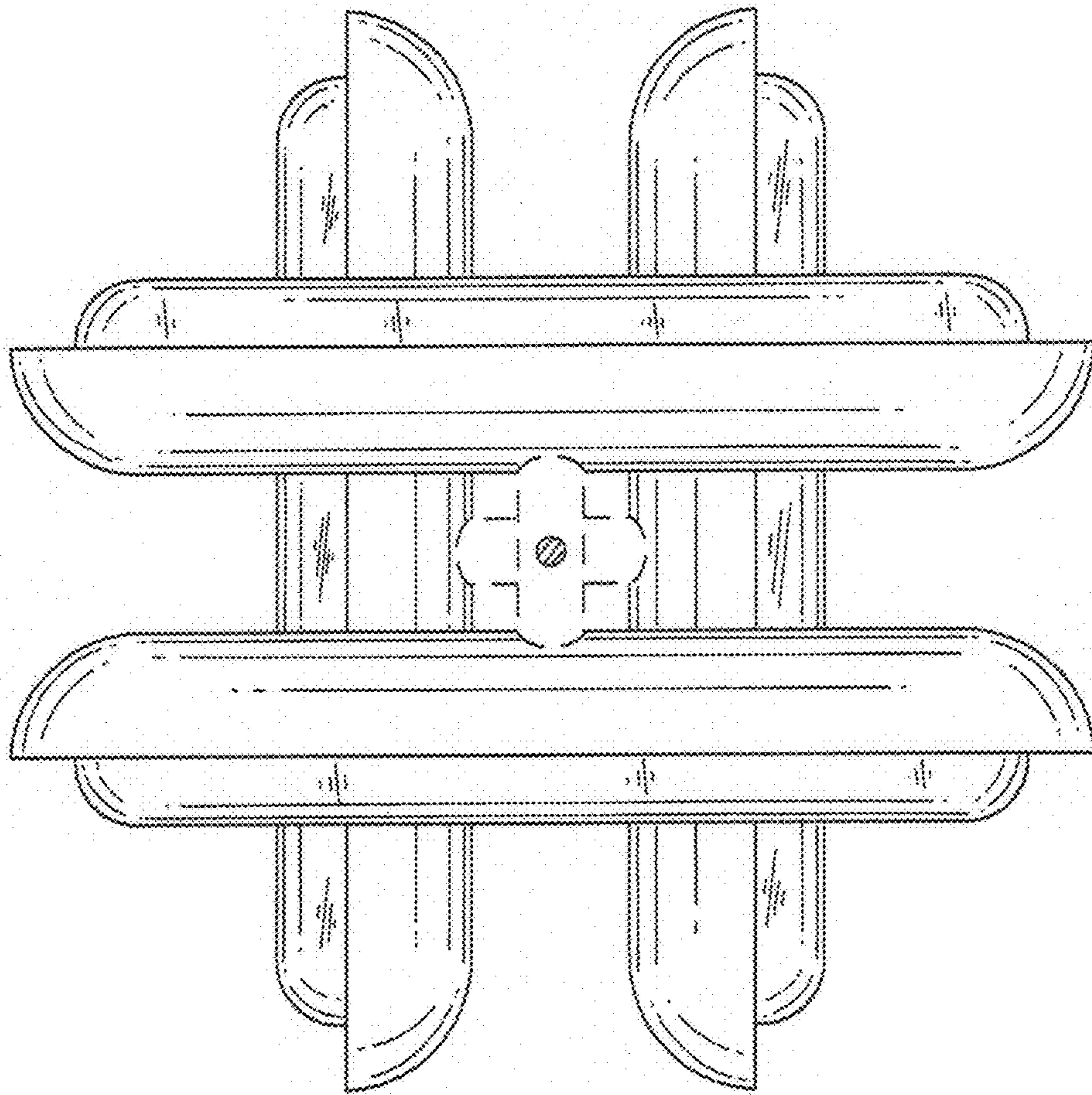


FIG. 2

FIG. 3

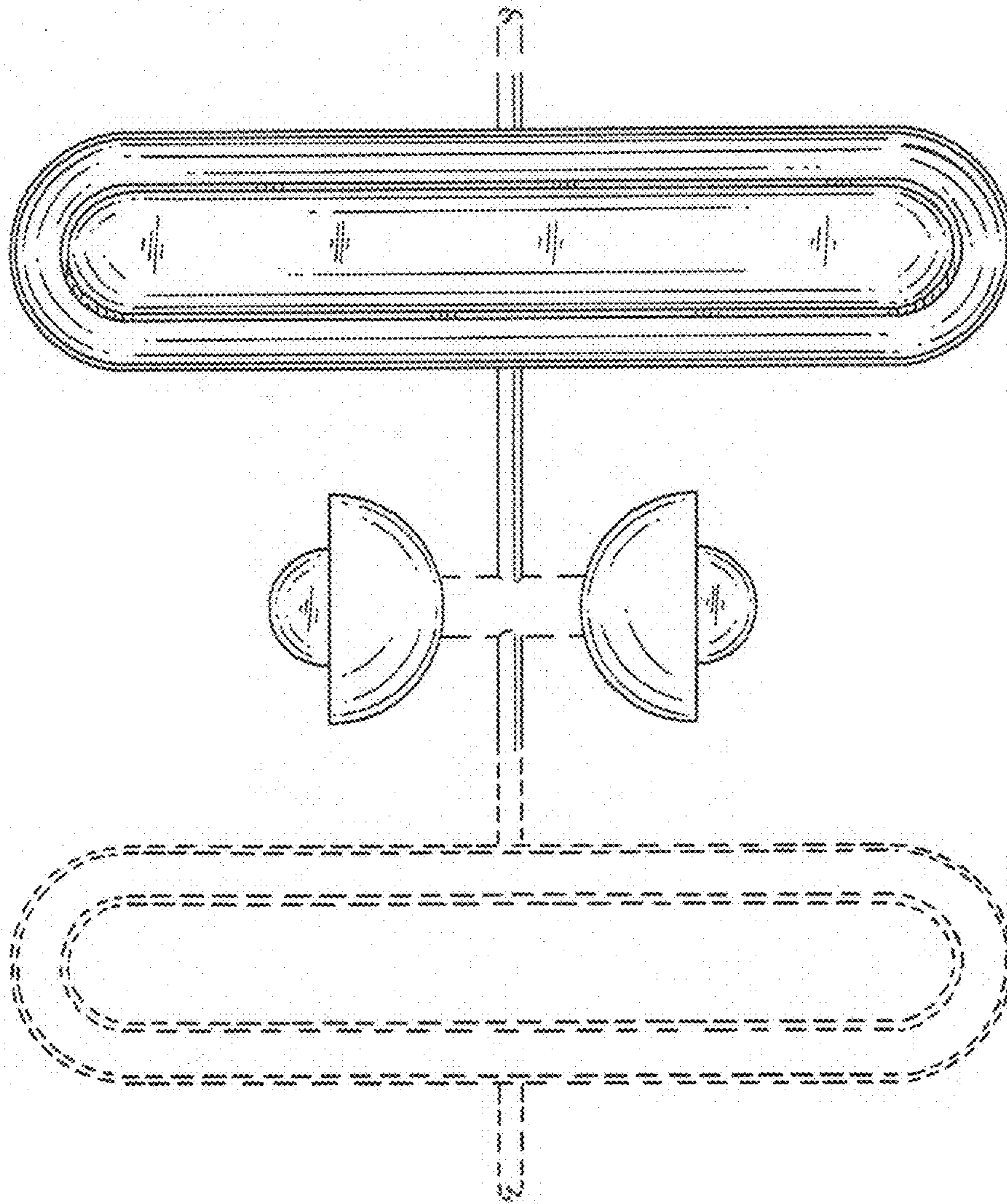
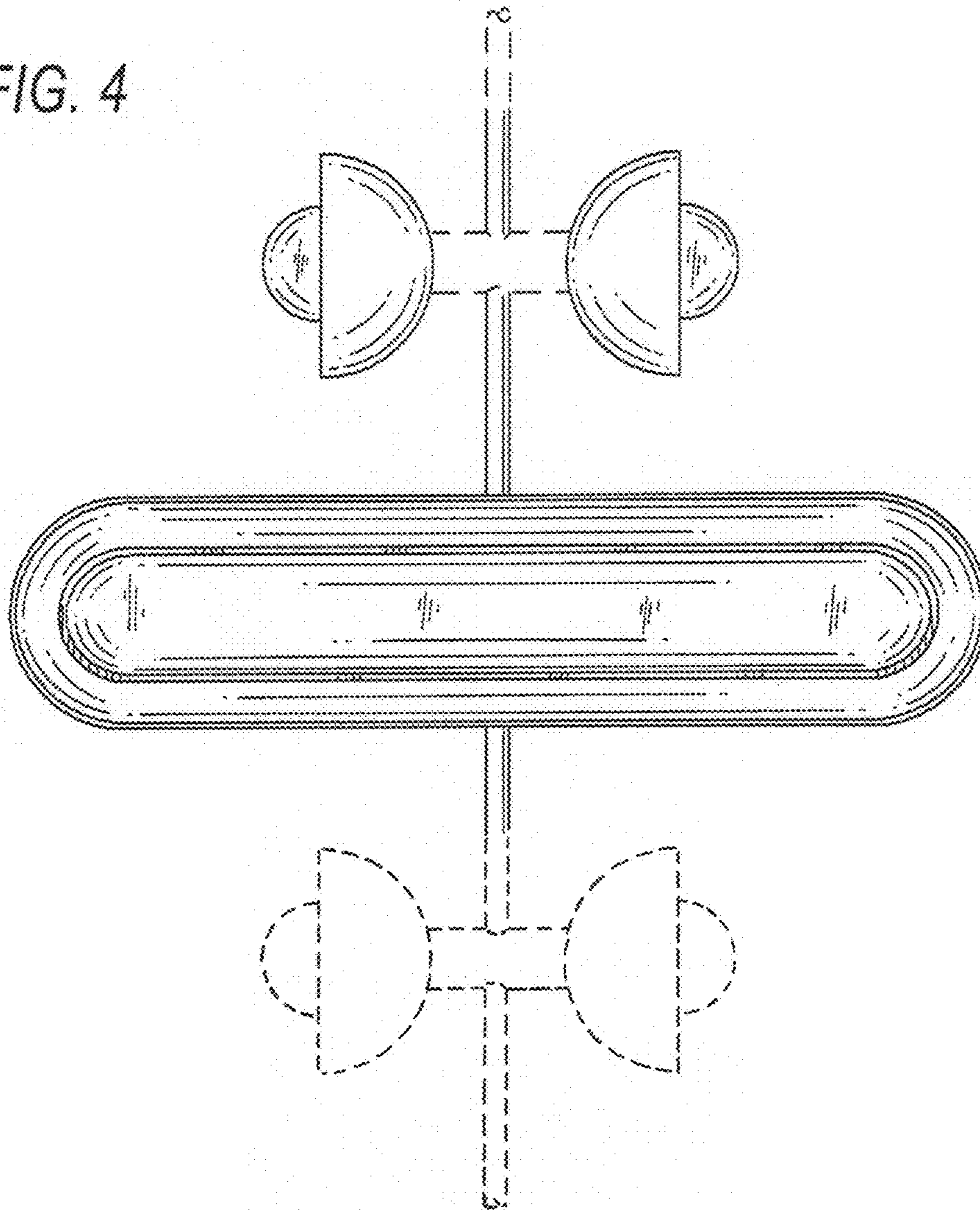


FIG. 4



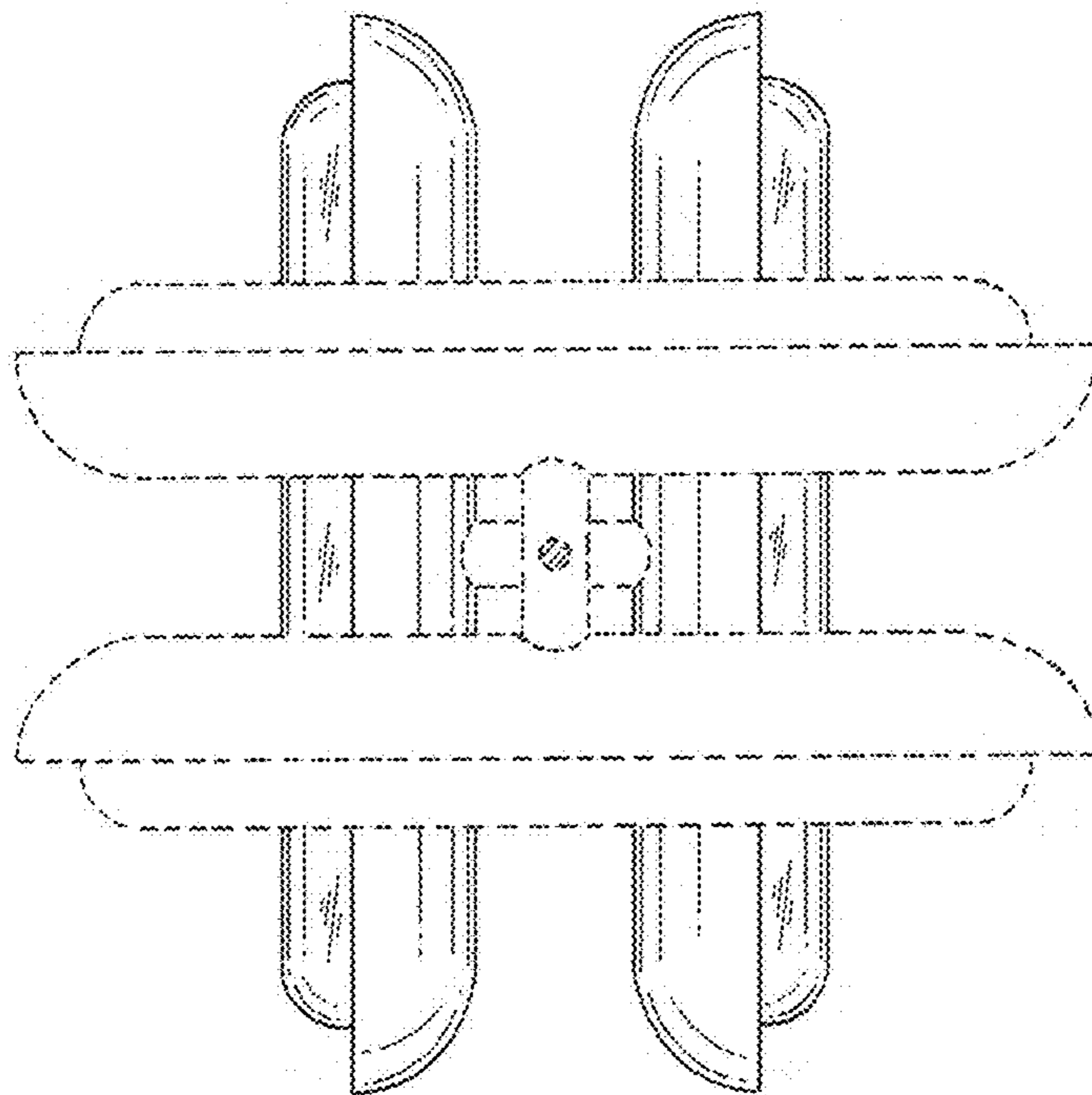


FIG. 5