



US00D803456S

(12) **United States Design Patent**
Yang et al.

(10) **Patent No.:** **US D803,456 S**

(45) **Date of Patent:** **** Nov. 21, 2017**

(54) **SOLAR WALL LAMP**

(71) Applicant: **Xiamen Topunive Technology Co., Ltd.**, Xiamen (CN)

(72) Inventors: **Yandong Yang**, Xiamen (CN); **Youlin Zhu**, Xiamen (CN); **Xiangfeng Chen**, Xiamen (CN)

(73) Assignee: **XIAMEN TOPUNIVE TECHNOLOGY CO., LTD.**, Xiamen, Fujian (CN)

(**) Term: **15 Years**

(21) Appl. No.: **29/584,061**

(22) Filed: **Nov. 11, 2016**

(51) **LOC (10) Cl.** **26-03**

(52) **U.S. Cl.**
USPC **D26/85**

(58) **Field of Classification Search**
USPC D26/67, 72, 85, 87, 92; D10/106.6, D10/106.8

CPC F21S 8/03; F21S 8/033; F21S 8/036; F21S 8/037; F21S 9/022; F21S 9/024; F21S 9/03; F21S 9/035; F21S 9/037; F21W 2131/107

See application file for complete search history.

(56) **References Cited**

U.S. PATENT DOCUMENTS

D272,193 S * 1/1984 Sangiamo D26/85
4,939,359 A * 7/1990 Freeman G01V 8/10
250/221

D336,964 S * 6/1993 Janssen D26/85
D397,484 S * 8/1998 Ballard D26/85
D535,775 S * 1/2007 Lueken D26/67
D569,029 S * 5/2008 Guercio D26/85
D626,270 S * 10/2010 Waldmann D26/85
D627,094 S * 11/2010 Verelst D26/85
D627,916 S * 11/2010 Butteris D26/85
D698,072 S * 1/2014 Messisaen D26/85
D757,984 S * 5/2016 Breedlove, Sr. D26/67
2009/0034242 A1* 2/2009 Engel F21S 8/033
362/147

* cited by examiner

Primary Examiner — Clare E Heflin

(74) *Attorney, Agent, or Firm* — Leong C. Lei

(57) **CLAIM**

The ornamental design for a solar wall lamp, as shown and described.

DESCRIPTION

FIG. 1 is a perspective view of solar wall lamp showing our present design;

FIG. 2 is a front view thereof;

FIG. 3 is a rear view thereof;

FIG. 4 is a left side view thereof;

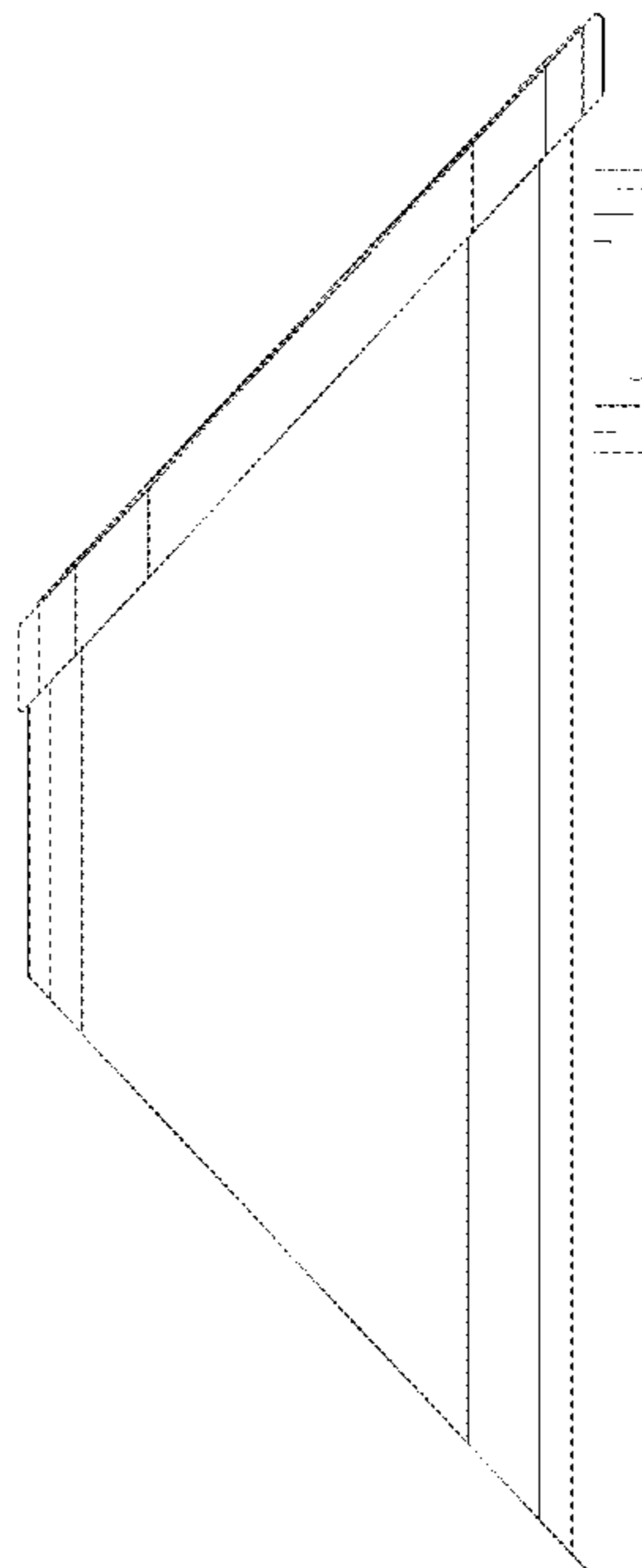
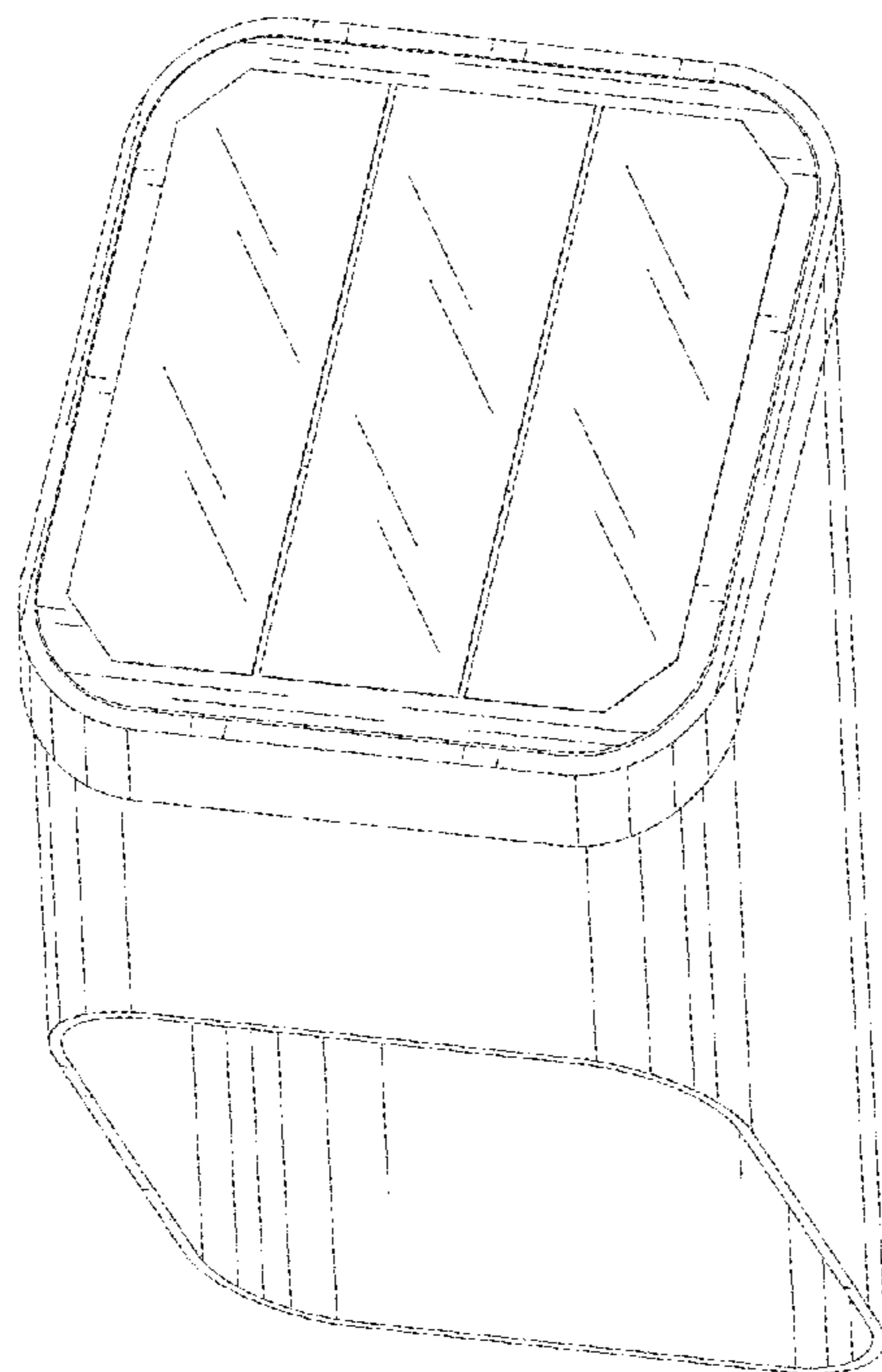
FIG. 5 is a right side view thereof;

FIG. 6 is a top view thereof; and,

FIG. 7 is a bottom view thereof.

The broken lines shown on the drawings depict portions of the solar wall lamp that form no part of the claimed design.

1 Claim, 4 Drawing Sheets



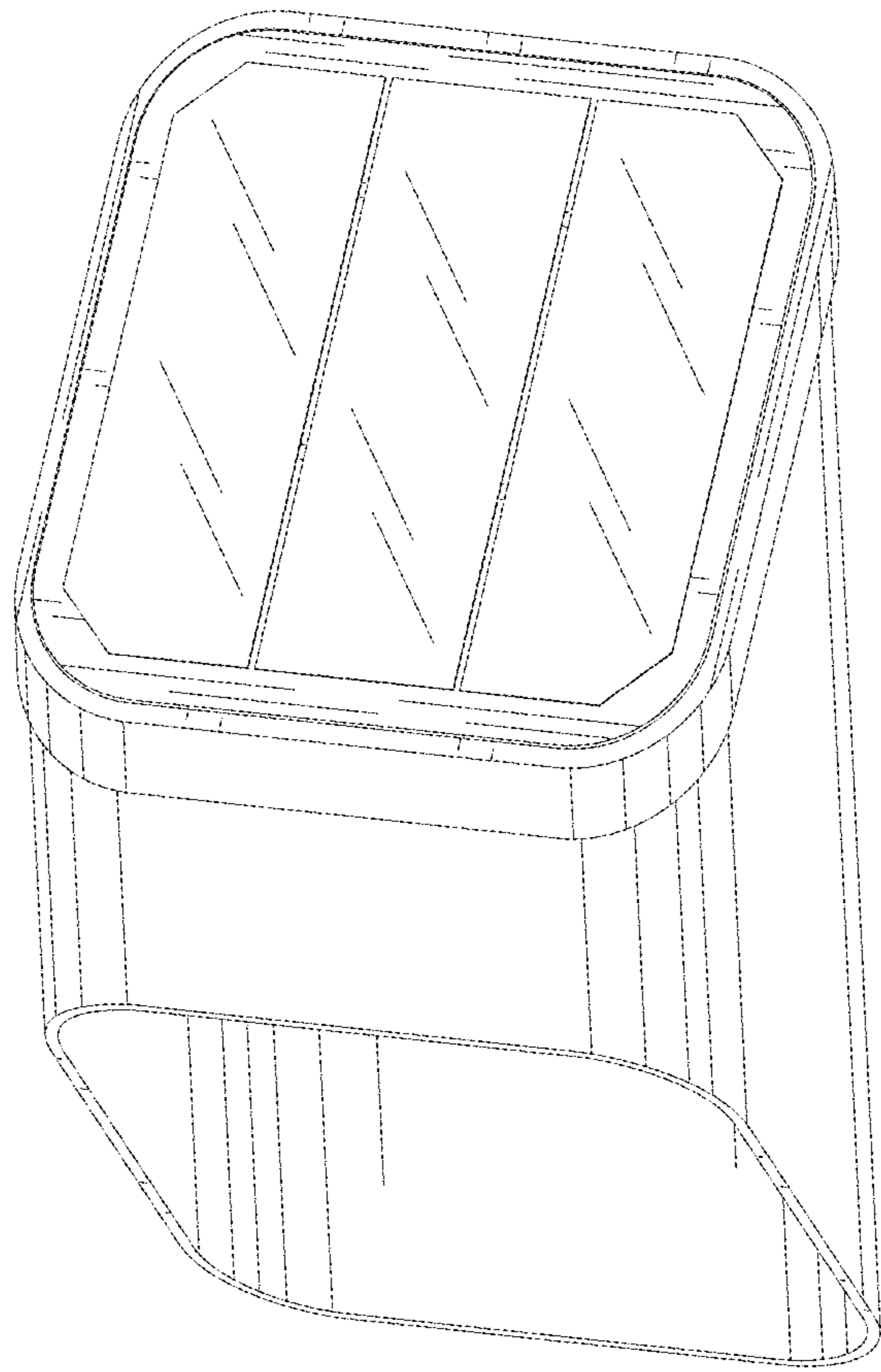


FIG. 1

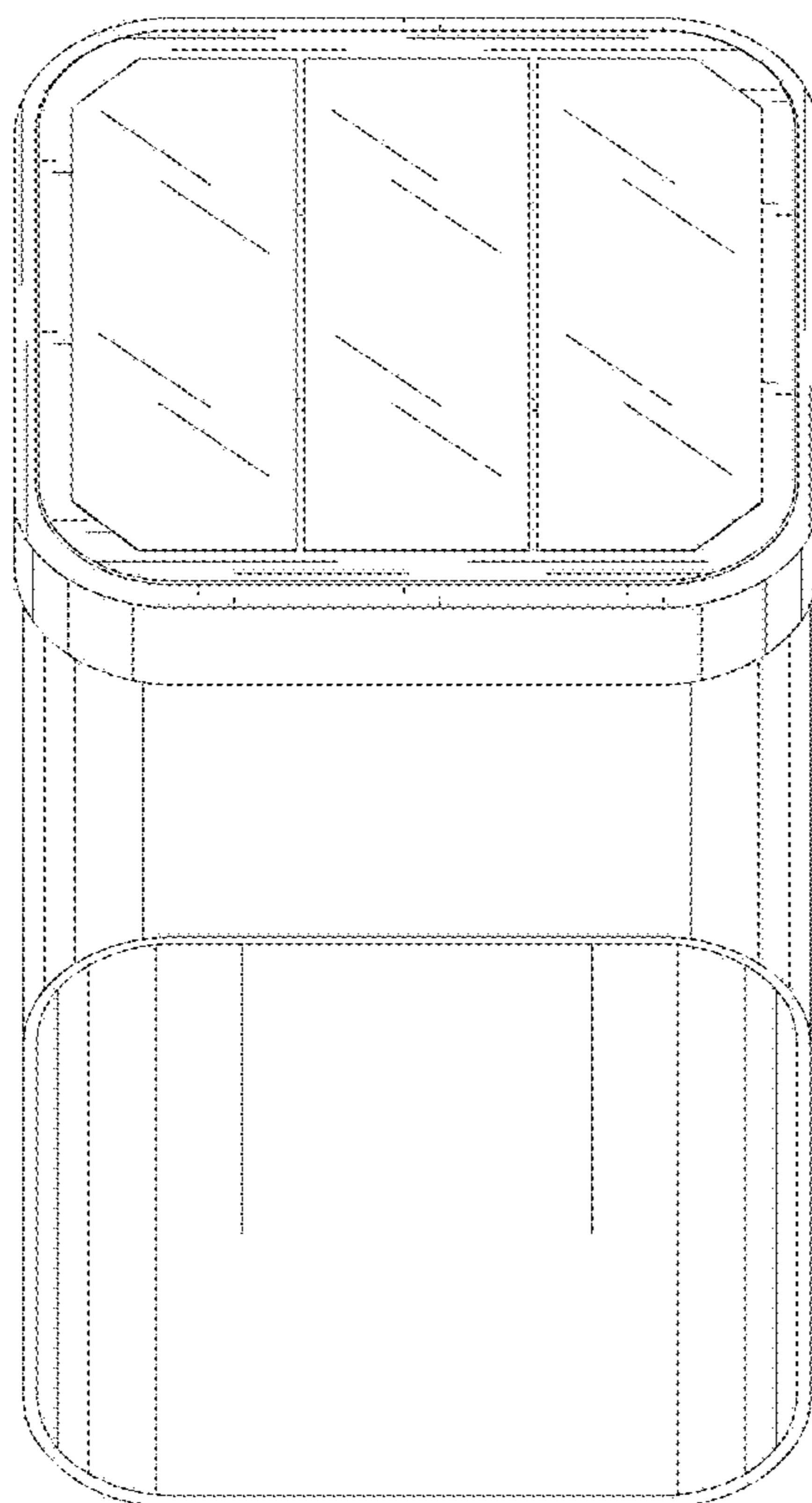


FIG. 2

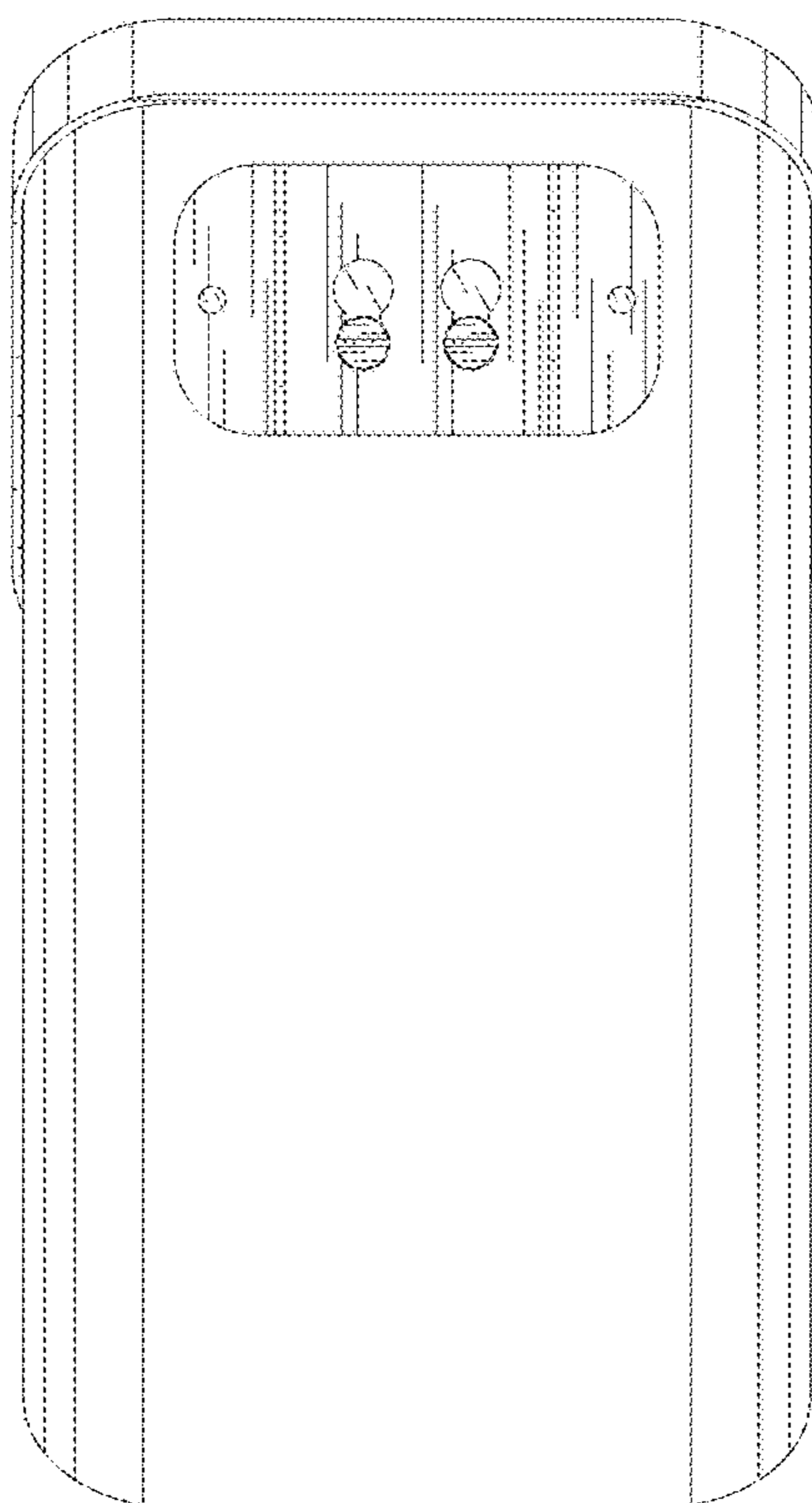


FIG. 3

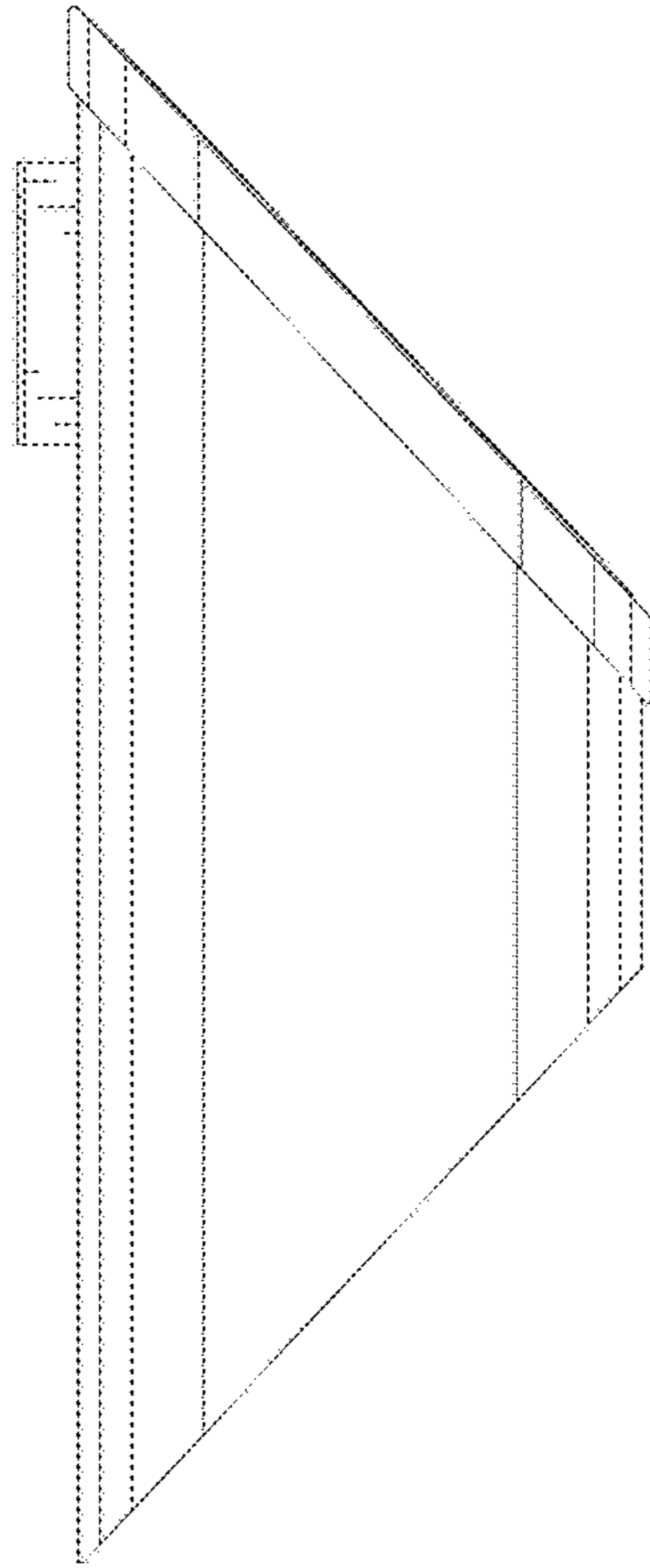


FIG. 4

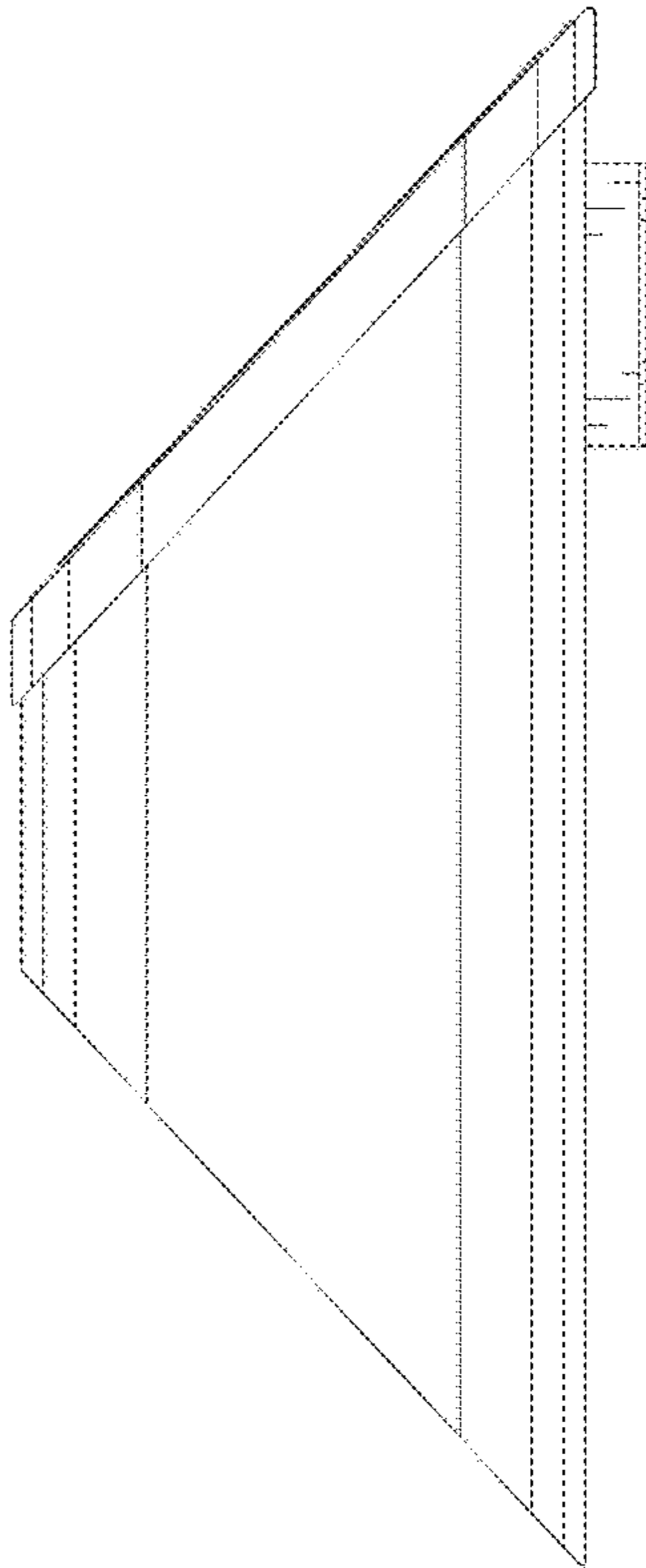


FIG. 5

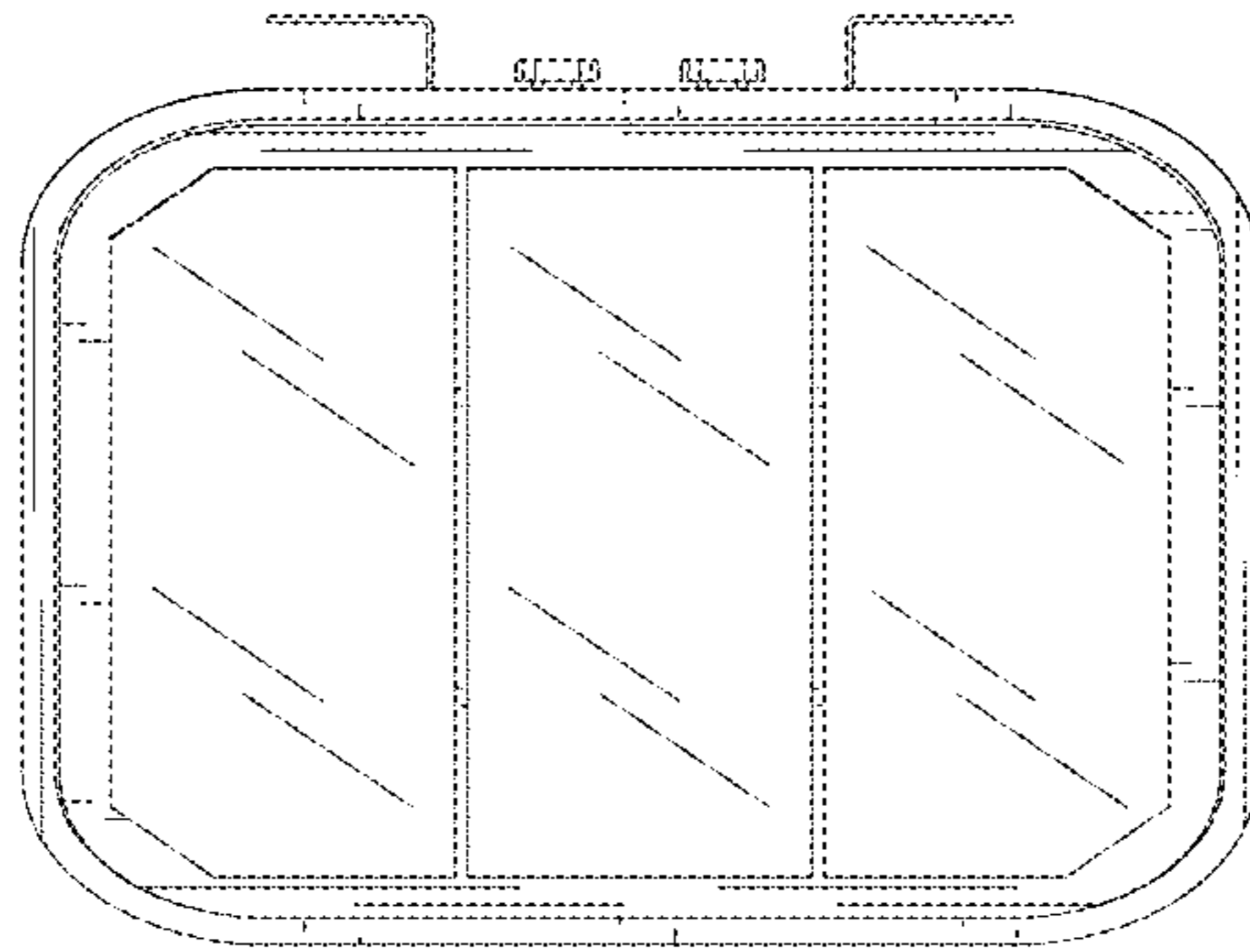


FIG. 6

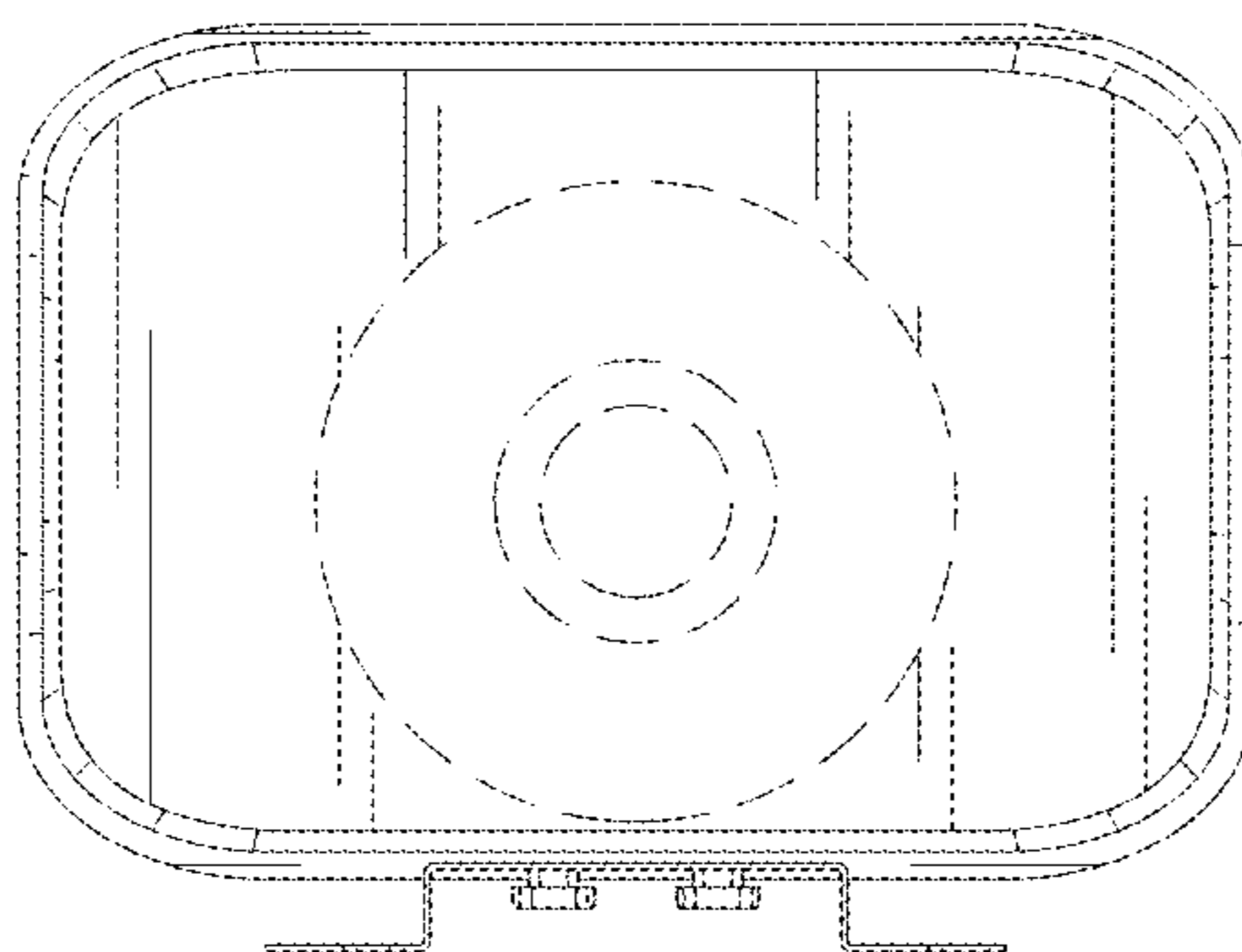


FIG. 7