



US00D803455S

(12) **United States Design Patent**
Blessitt

(10) **Patent No.:** **US D803,455 S**

(45) **Date of Patent:** **** Nov. 21, 2017**

- (54) **EDGE-LIT LUMINAIRE STRIP**
- (71) Applicant: **James Blessitt**, Peachtree City, GA
(US)
- (72) Inventor: **James Blessitt**, Peachtree City, GA
(US)
- (73) Assignee: **Cooper Technologies Company**,
Houston, TX (US)
- (**) Term: **15 Years**
- (21) Appl. No.: **29/542,511**
- (22) Filed: **Oct. 14, 2015**
- (51) **LOC (10) Cl.** **26-03**
- (52) **U.S. Cl.**
USPC **D26/76**
- (58) **Field of Classification Search**
USPC D26/76, 78, 79, 80, 81, 82, 83, 85, 86,
D26/88, 90, 113, 118, 119, 120, 121, 122,
D26/138, 139, 140, 141, 142
CPC F21S 2/00; F21S 4/00; F21S 4/003; F21S
4/005; F21S 4/006; F21S 4/007; F21S
4/008; F21S 6/00; F21S 8/00; F21S
8/024; F21S 8/026; F21S 8/031; F21S
8/033; F21S 8/035-8/037; F21S 8/04;
F21S 8/043; F21S 8/063
See application file for complete search history.

(56) **References Cited**

U.S. PATENT DOCUMENTS

D202,648 S *	10/1965	Meyer et al.	D26/78
D364,478 S *	11/1995	Pesau	D26/76
D483,510 S *	12/2003	Fritze	D26/75
D498,867 S *	11/2004	Keller	D26/78
D547,897 S *	7/2007	Willmorth	D26/76
D556,359 S *	11/2007	Cunius	D26/76
D610,736 S *	2/2010	Klaus	D26/76
D642,725 S *	8/2011	Kong	D26/76

D655,442 S *	3/2012	Sabernig	D26/88
D693,045 S *	11/2013	Kirschhoffer	D26/88
D701,343 S *	3/2014	Ng	D26/76
D728,153 S *	4/2015	Blessitt	D26/118
9,046,225 B2	6/2015	Meyers		
D735,392 S *	7/2015	Ng	D26/76
9,182,534 B2	11/2015	Nakamura		
2014/0192558 A1	7/2014	Dau		

(Continued)

Primary Examiner — George D Kirschbaum

Assistant Examiner — Natasha Vujcic

(74) *Attorney, Agent, or Firm* — King & Spalding LLP

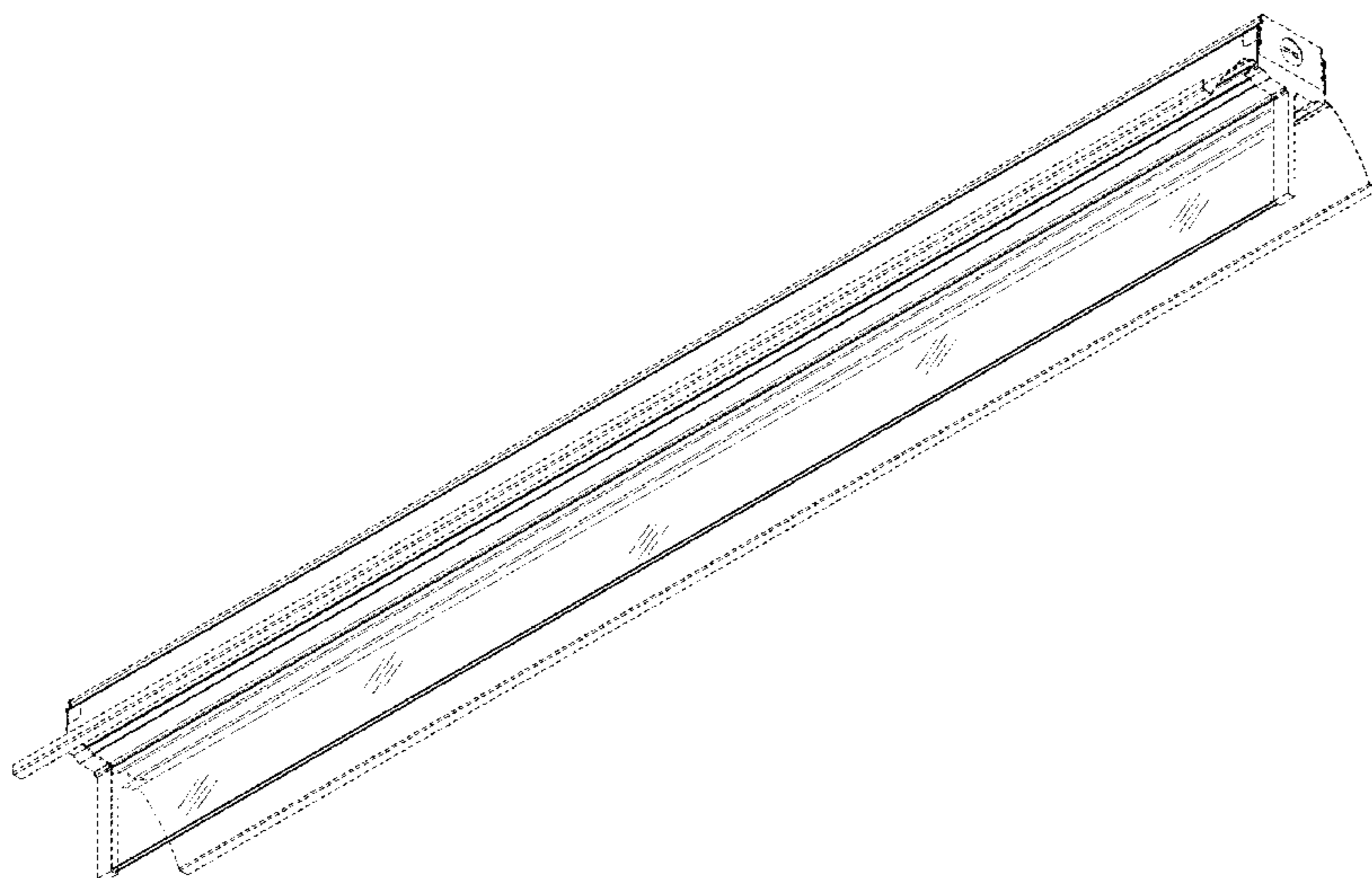
(57) **CLAIM**

The ornamental design for an edge-lit luminaire strip, as shown and described.

DESCRIPTION

FIG. 1 is a bottom perspective view of an edge-lit luminaire strip, showing my new design;
 FIG. 2 is a top perspective view thereof;
 FIG. 3 is a top plan view thereof;
 FIG. 4 is a bottom plan view thereof;
 FIG. 5 is a front elevation view, wherein the rear elevation view is a mirror image thereof; and
 FIG. 6 is a right side elevation view, wherein the left side elevation view is a mirror image thereof;
 FIG. 7 is a bottom perspective view of another embodiment of an edge-lit luminaire strip, showing my new design;
 FIG. 8 is a top perspective view thereof;
 FIG. 9 is a top plan view thereof;
 FIG. 10 is a bottom plan view thereof;
 FIG. 11 is a front elevation view, wherein the rear elevation view is a mirror image thereof; and,
 FIG. 12 is a right side elevation view, wherein the left side elevation view is a mirror image thereof.
 The break lines indicate that the appearance of any portion of the edge-lit luminaire strip between the break lines forms no part of the claimed design.

1 Claim, 8 Drawing Sheets



(56)

References Cited

U.S. PATENT DOCUMENTS

2015/0049511 A1 2/2015 Tarsa
2016/0356436 A1* 12/2016 Blessitt F21S 8/00

* cited by examiner

FIG. 1

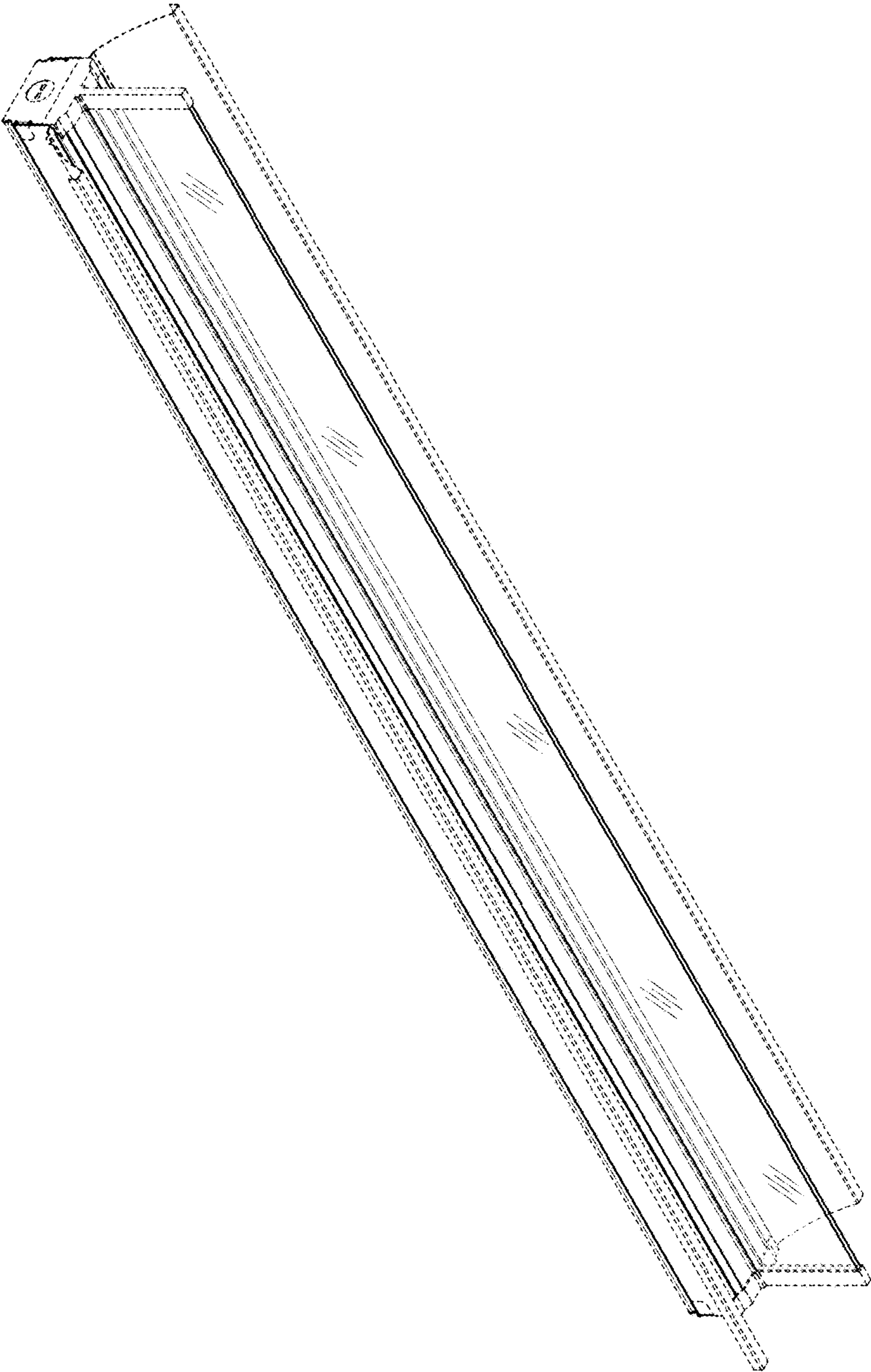


FIG. 2

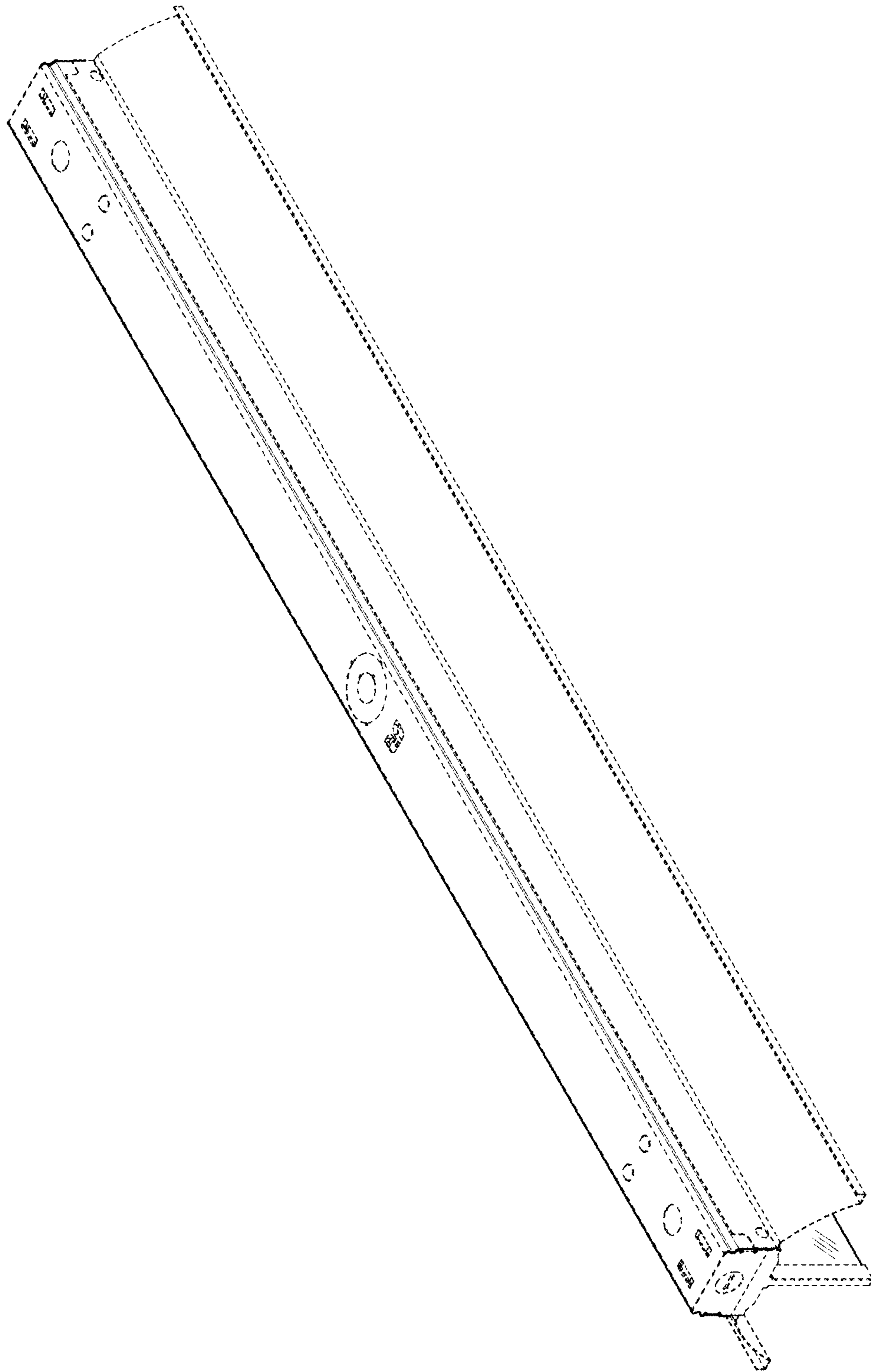


FIG. 3

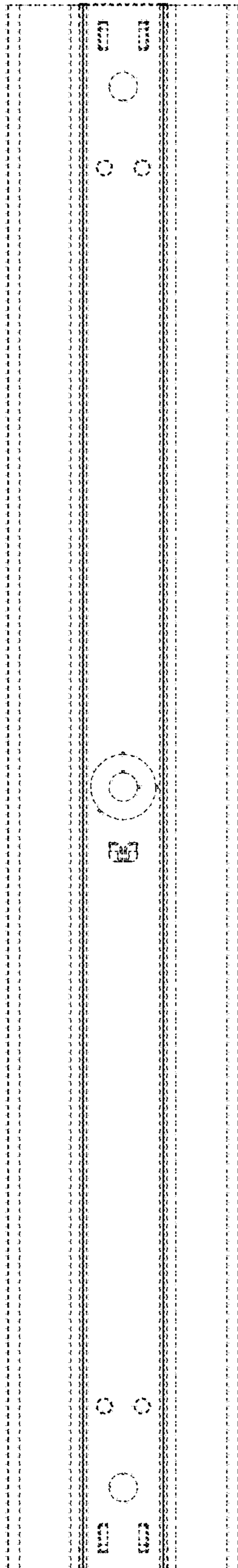


FIG. 4

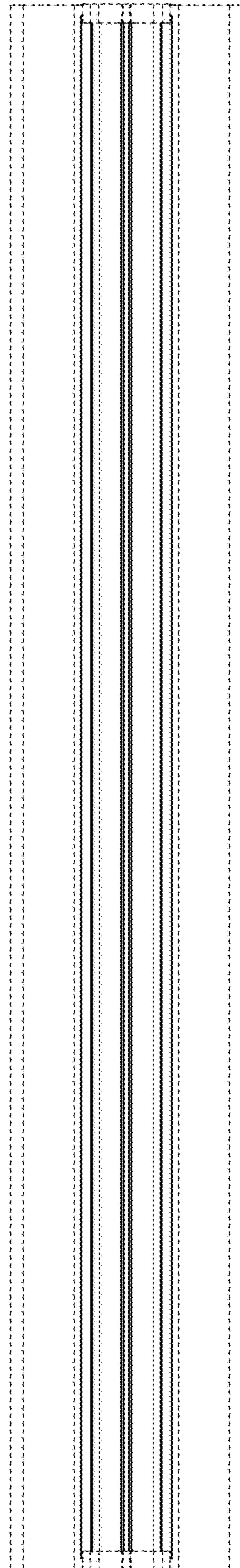


FIG. 5

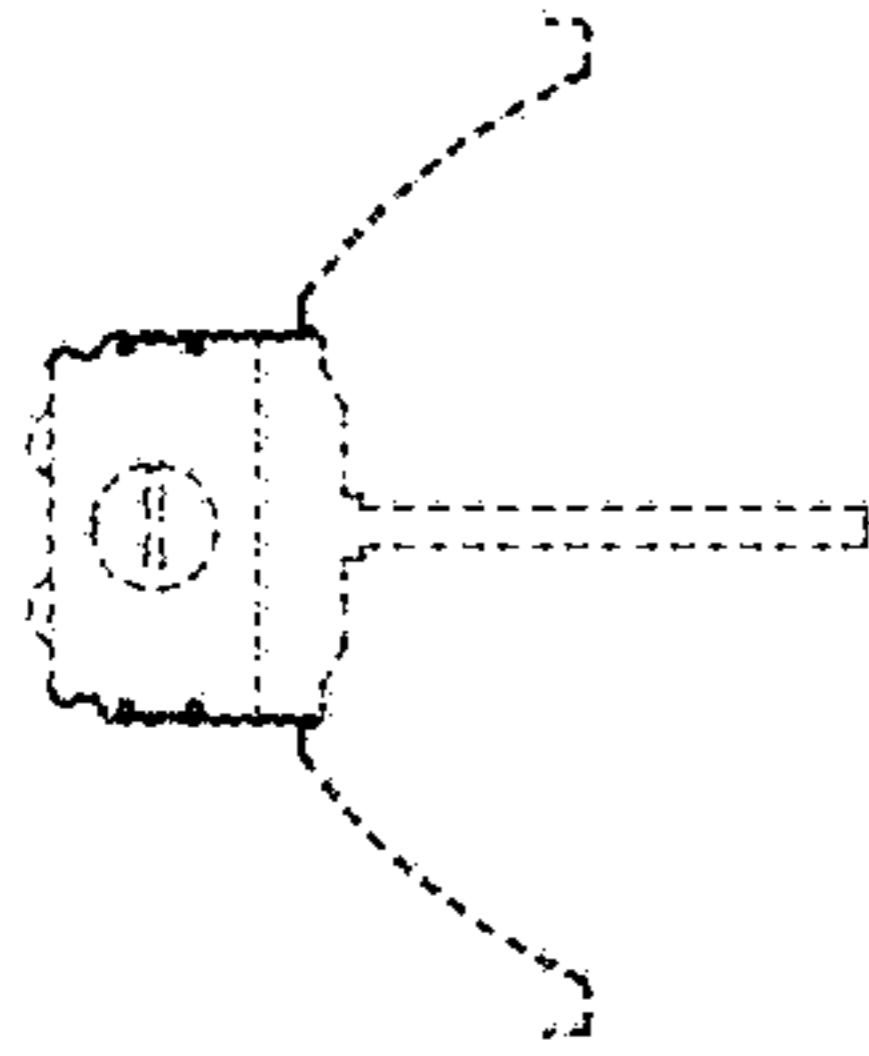


FIG. 6

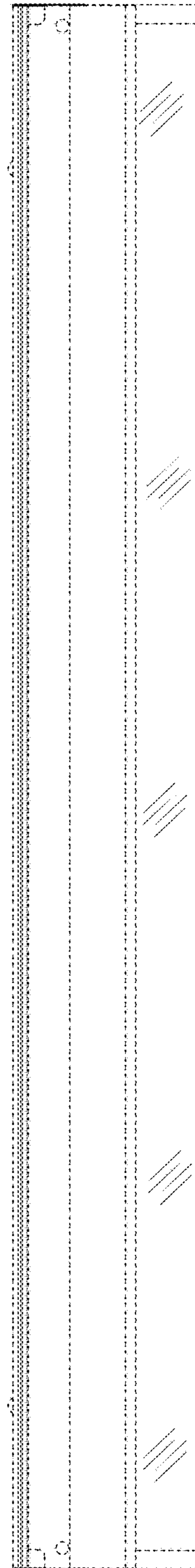


FIG. 7

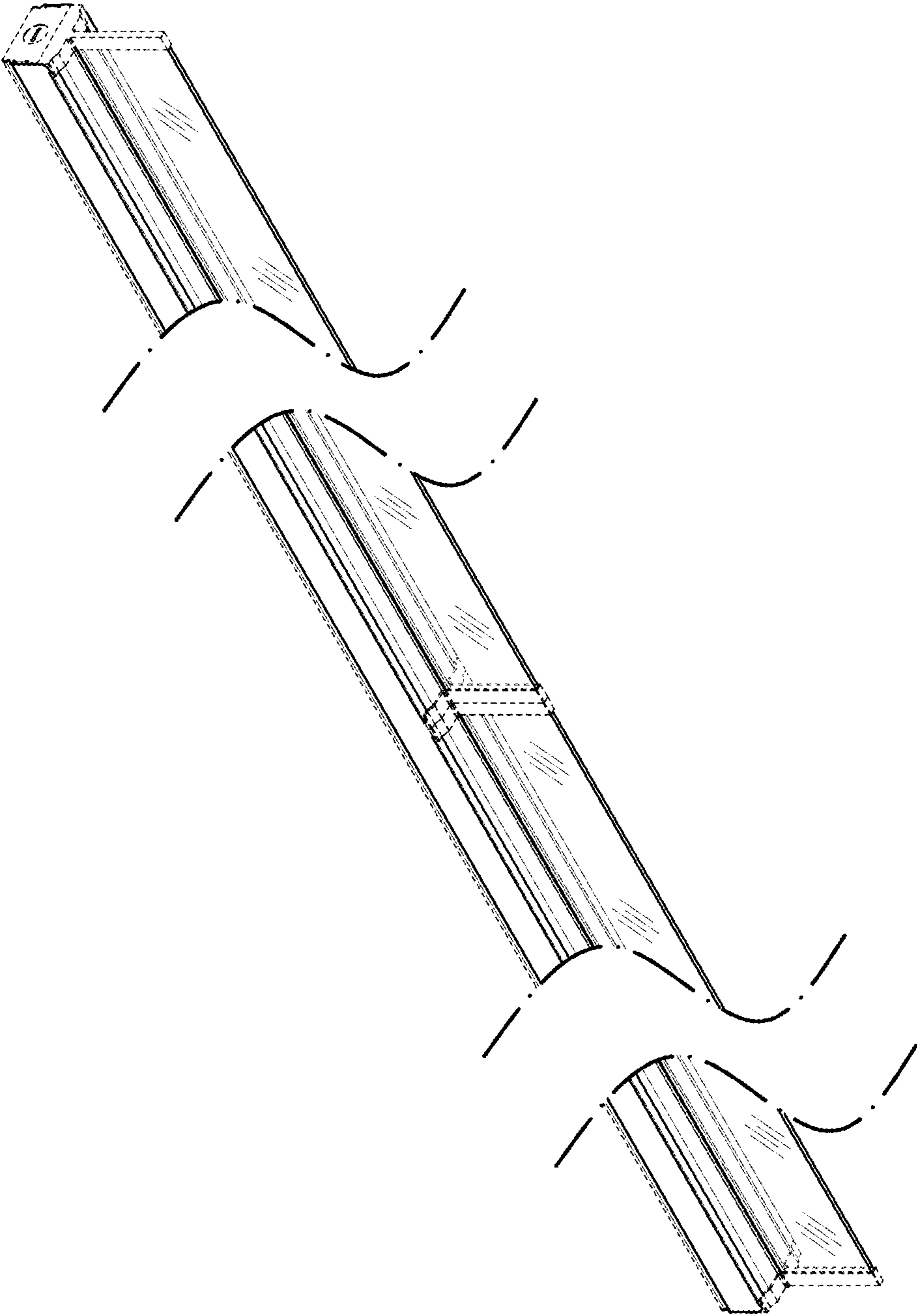


FIG. 8

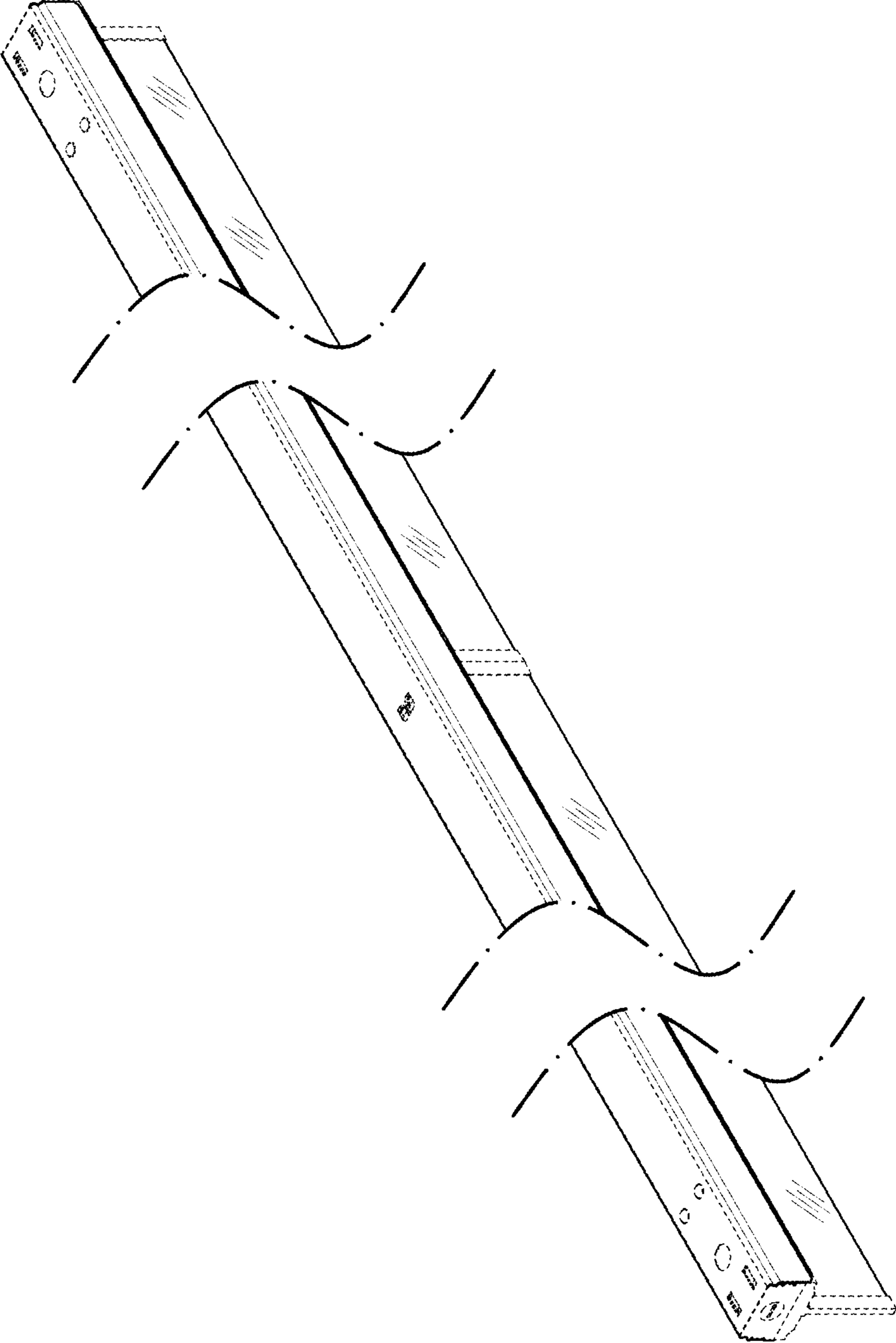


FIG. 9

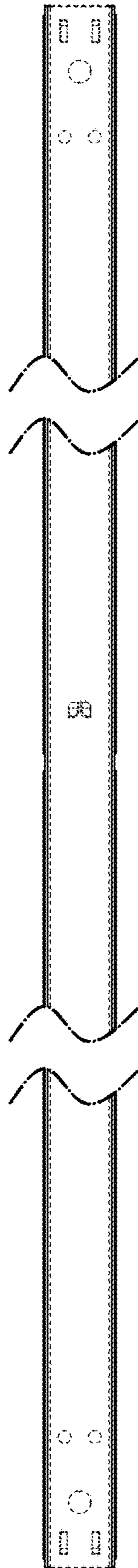


FIG. 10

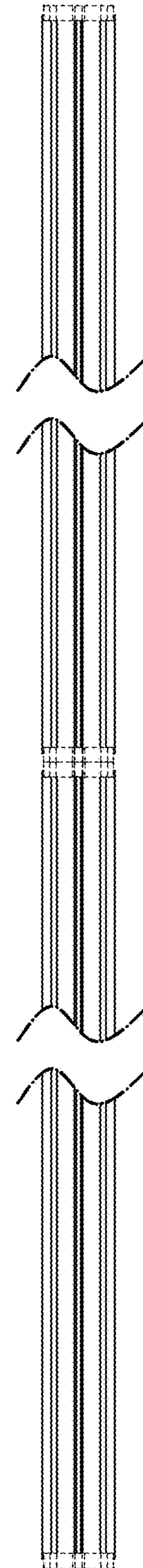


FIG. 11

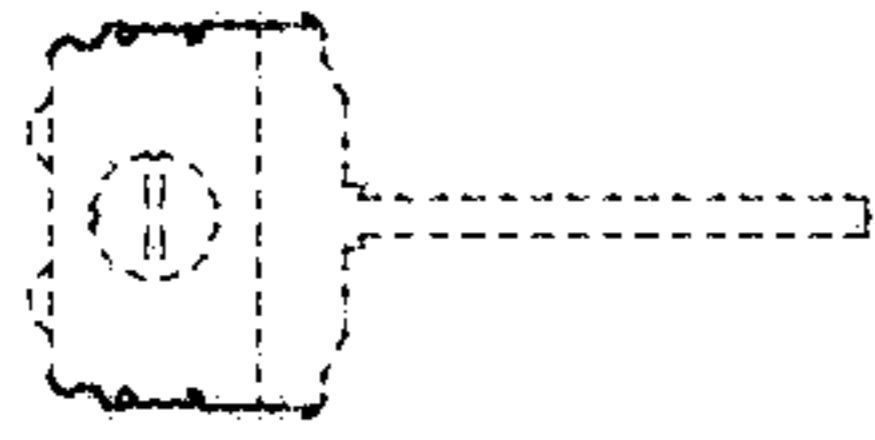


FIG. 12

