



US00D803454S

(12) **United States Design Patent**
Lockart et al.

(10) **Patent No.:** **US D803,454 S**

(45) **Date of Patent:** **** Nov. 21, 2017**

- (54) **LINEAR LUMINAIRE**
- (71) Applicant: **KONINKLIJKE PHILIPS N.V.**,
Eindhoven (NL)
- (72) Inventors: **Chad Lockart**, Burlington, MA (US);
Wayne T. Driscoll, Burlington, MA
(US)
- (73) Assignee: **PHILIPS LIGHTING HOLDING**
B.V., Eindhoven (NL)
- (**) Term: **14 Years**
- (21) Appl. No.: **29/508,460**
- (22) Filed: **Nov. 6, 2014**
- (51) **LOC (10) Cl.** **26-03**
- (52) **U.S. Cl.**
USPC **D26/76**
- (58) **Field of Classification Search**
USPC D26/24, 39, 59, 67, 68, 69, 70, 71, 72,
D26/74, 77, 80, 88, 89, 138, 139, 140,
D26/141, 142, 151, 152
CPC F21V 17/12; F21V 17/18; F21V 21/002;
F21V 21/043; F21V 21/047; F21V 21/06;
F21V 21/084; F21V 21/14; F21V 23/04;
F21V 33/00
See application file for complete search history.

- 4,275,331 A * 6/1981 Stresing H01J 9/34
156/580.1
- 4,316,121 A * 2/1982 Hammer H05B 41/04
315/52
- D459,516 S * 6/2002 Demers D26/63
- D464,162 S * 10/2002 Segretto D26/80
- D595,444 S * 6/2009 Shimomura D26/76
- D696,812 S * 12/2013 Peng D26/76

* cited by examiner

Primary Examiner — George D Kirschbaum
Assistant Examiner — Natasha Vujcic

(56) **References Cited**

U.S. PATENT DOCUMENTS

- 3,974,418 A * 8/1976 Fridrich F21V 15/015
315/100
- 4,204,139 A * 5/1980 Shimer F21V 19/008
315/58

(57) **CLAIM**

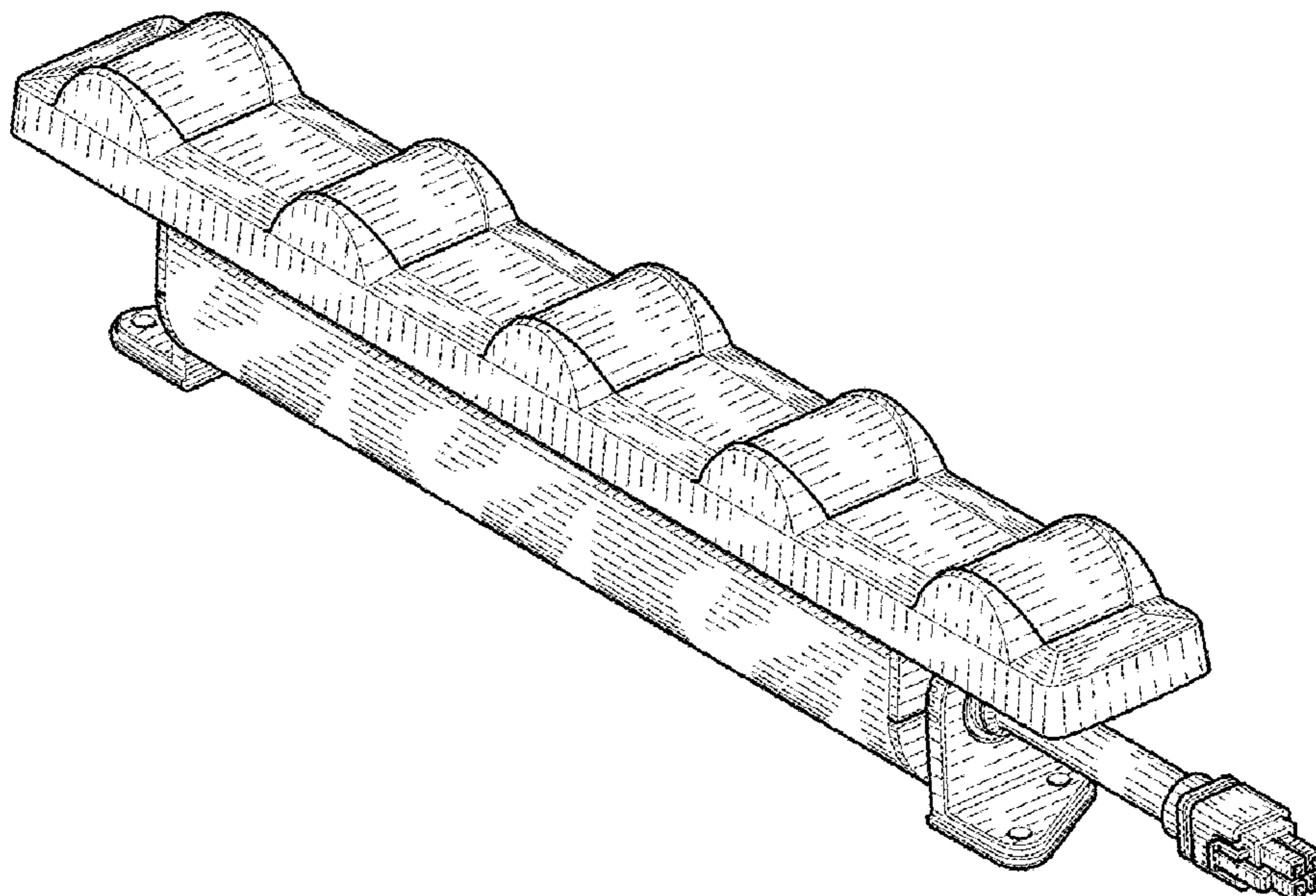
The ornamental design for a linear luminaire, as shown and described.

DESCRIPTION

FIG. 1 is a top, left perspective view of a linear luminaire showing our new design;
 FIG. 2 is a left side elevational view thereof;
 FIG. 3 is a right elevational view thereof;
 FIG. 4 is a front side elevational view thereof;
 FIG. 5 is a back side elevational view thereof;
 FIG. 6 is a top plan view thereof; and,
 FIG. 7 is a bottom plan view thereof.

The dash-dot-dash broken lines shown represent the bounds of the claim and forms no part thereof and the dashed broken lines shown therein illustrate portions of the luminaire that form no part of the claimed design.

1 Claim, 3 Drawing Sheets



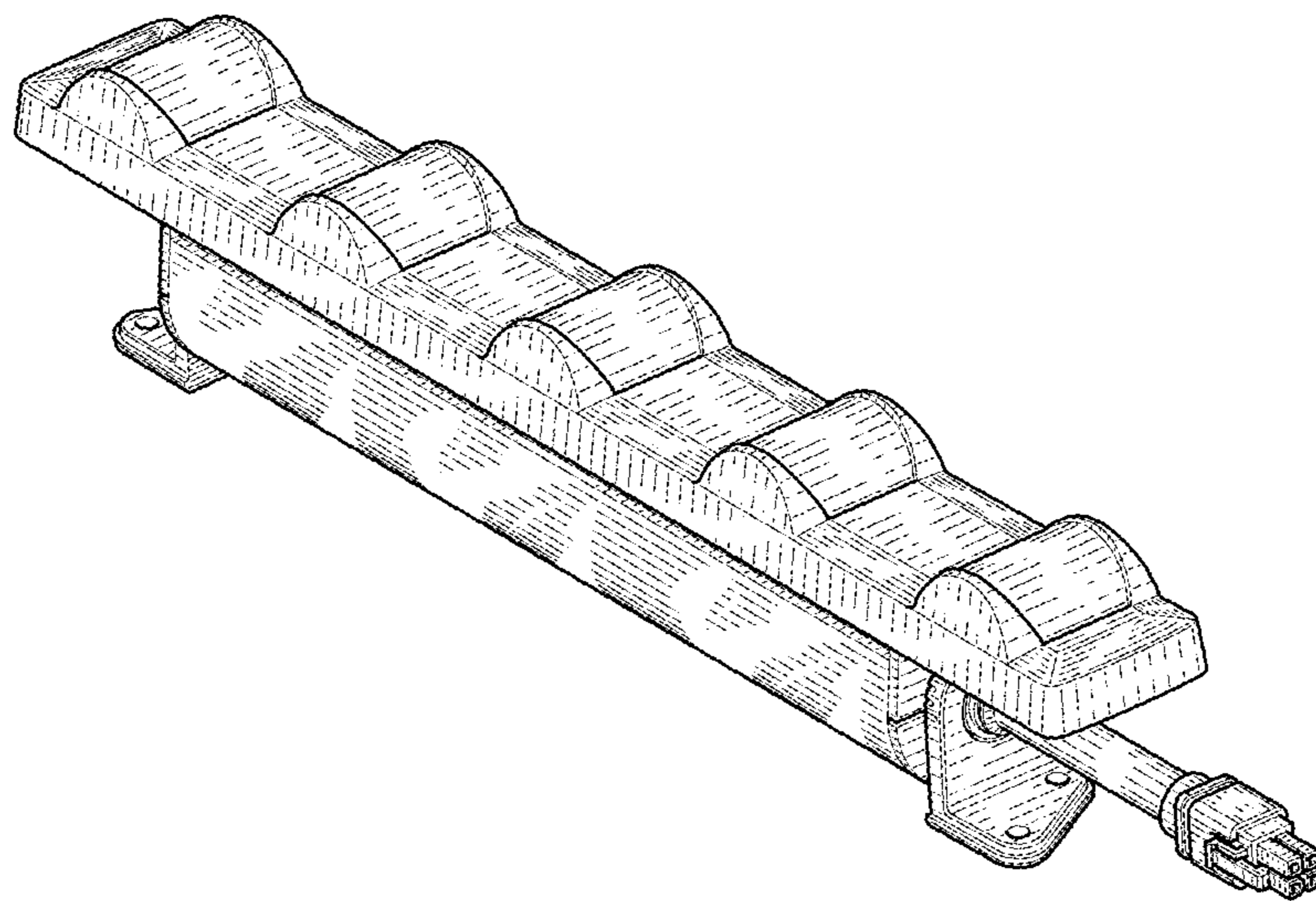


FIG.1

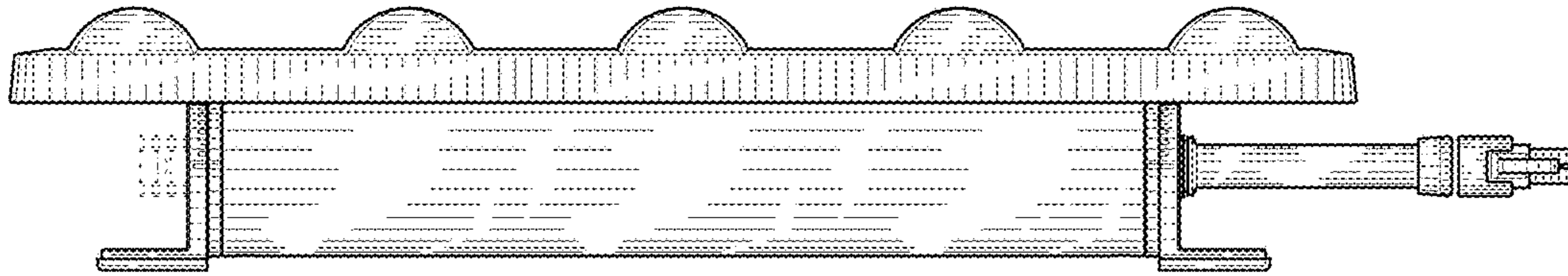


FIG. 2

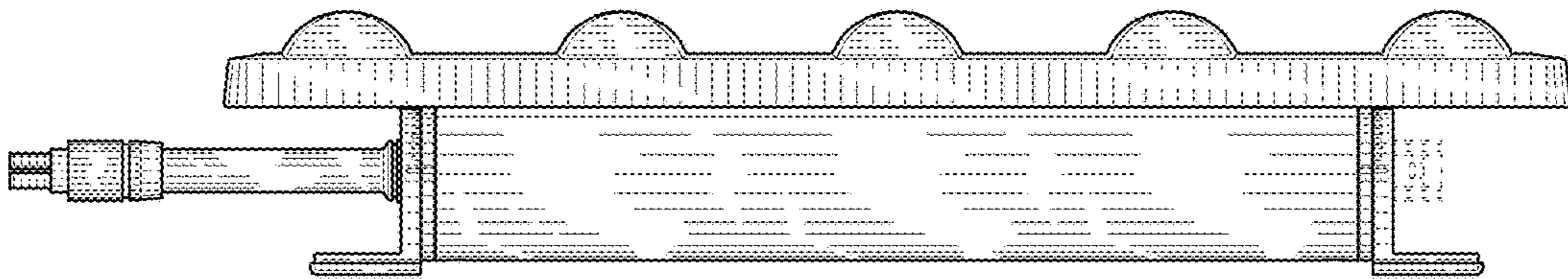


FIG. 3

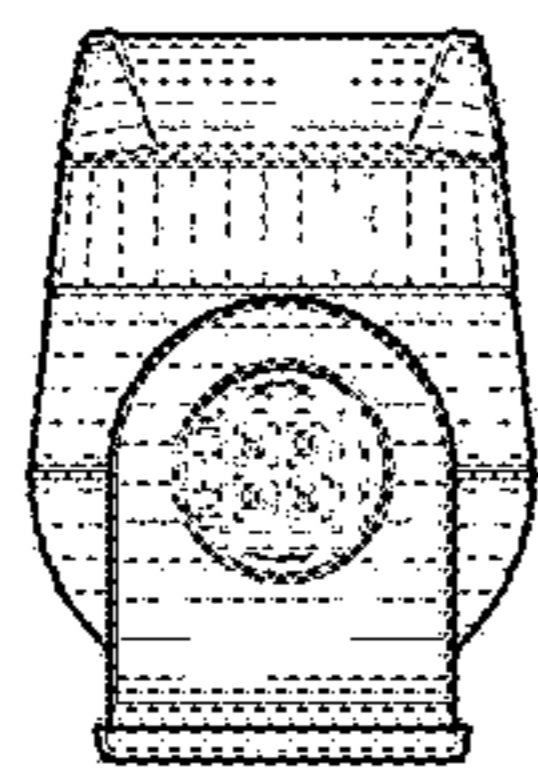


FIG. 4

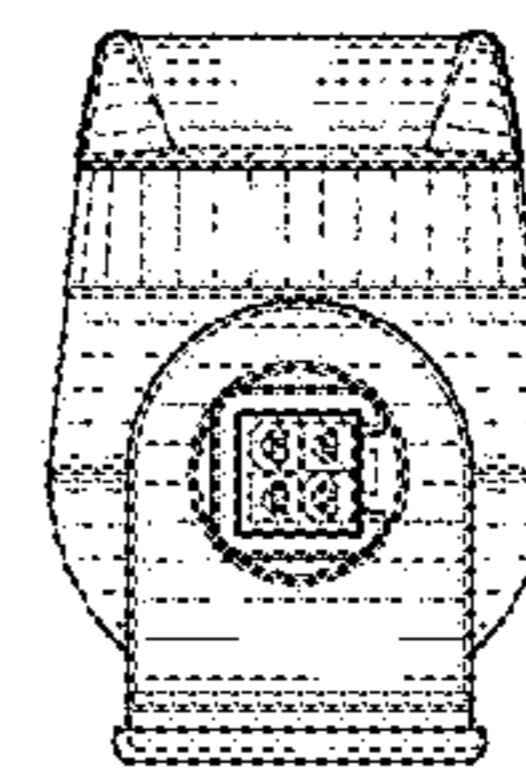


FIG. 5

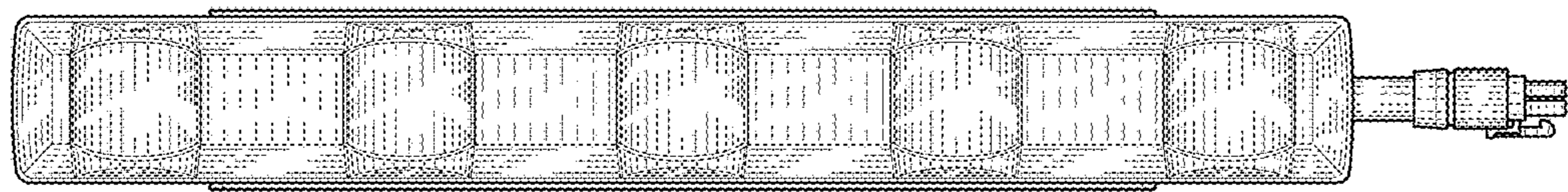


FIG.6

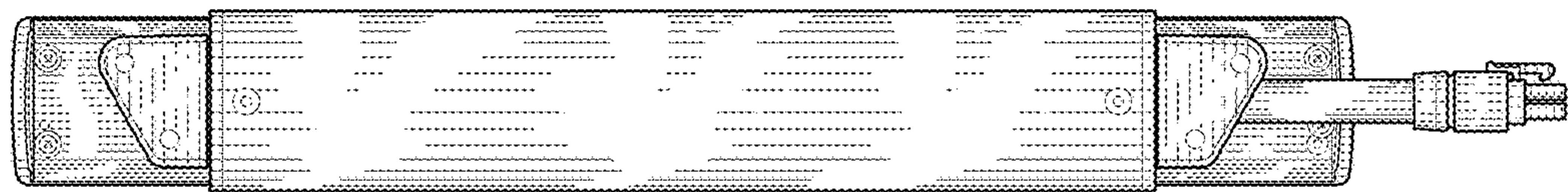


FIG.7