

US00D803451S

(12) **United States Design Patent** (10) **Patent No.:** **US D803,451 S**  
**Duckworth et al.** (45) **Date of Patent:** **\*\* Nov. 21, 2017**

(54) **OUTDOOR LUMINAIRE**

- (71) Applicant: **Hubbell Incorporated**, Shelton, CT (US)
- (72) Inventors: **Jason Duckworth**, Simpsonville, SC (US); **Steve Entrekin**, Simpsonville, SC (US)
- (73) Assignee: **Hubbell Incorporated**, Shelton, CT (US)
- (\*\*) Term: **15 Years**
- (21) Appl. No.: **29/583,715**
- (22) Filed: **Nov. 8, 2016**

**Related U.S. Application Data**

- (62) Division of application No. 29/525,723, filed on May 1, 2015, now Pat. No. Des. 771,296.
- (51) **LOC (10) Cl.** ..... **26-03**
- (52) **U.S. Cl.**  
USPC ..... **D26/63**
- (58) **Field of Classification Search**  
USPC ..... D26/1, 24, 61, 63, 65, 85, 92  
CPC ..... F21V 21/14; F21V 15/01; F21V 14/02;  
F21V 21/30; F21V 21/00; F21V 14/00;  
F21S 8/00; F21S 8/003; F21S 8/043;  
F21Y 2105/001

See application file for complete search history.

(56) **References Cited**

U.S. PATENT DOCUMENTS

D435,925 S *	1/2001	Hiller .....	D26/63
D698,476 S *	1/2014	Korpi .....	D26/63
D698,477 S *	1/2014	Korpi .....	D26/63
D747,525 S *	1/2016	Guercio .....	D26/63
D748,838 S *	2/2016	Brynjolfsson .....	D26/63

\* cited by examiner

*Primary Examiner* — Brian N Vinson

(74) *Attorney, Agent, or Firm* — Michael Best & Friedrich, LLP

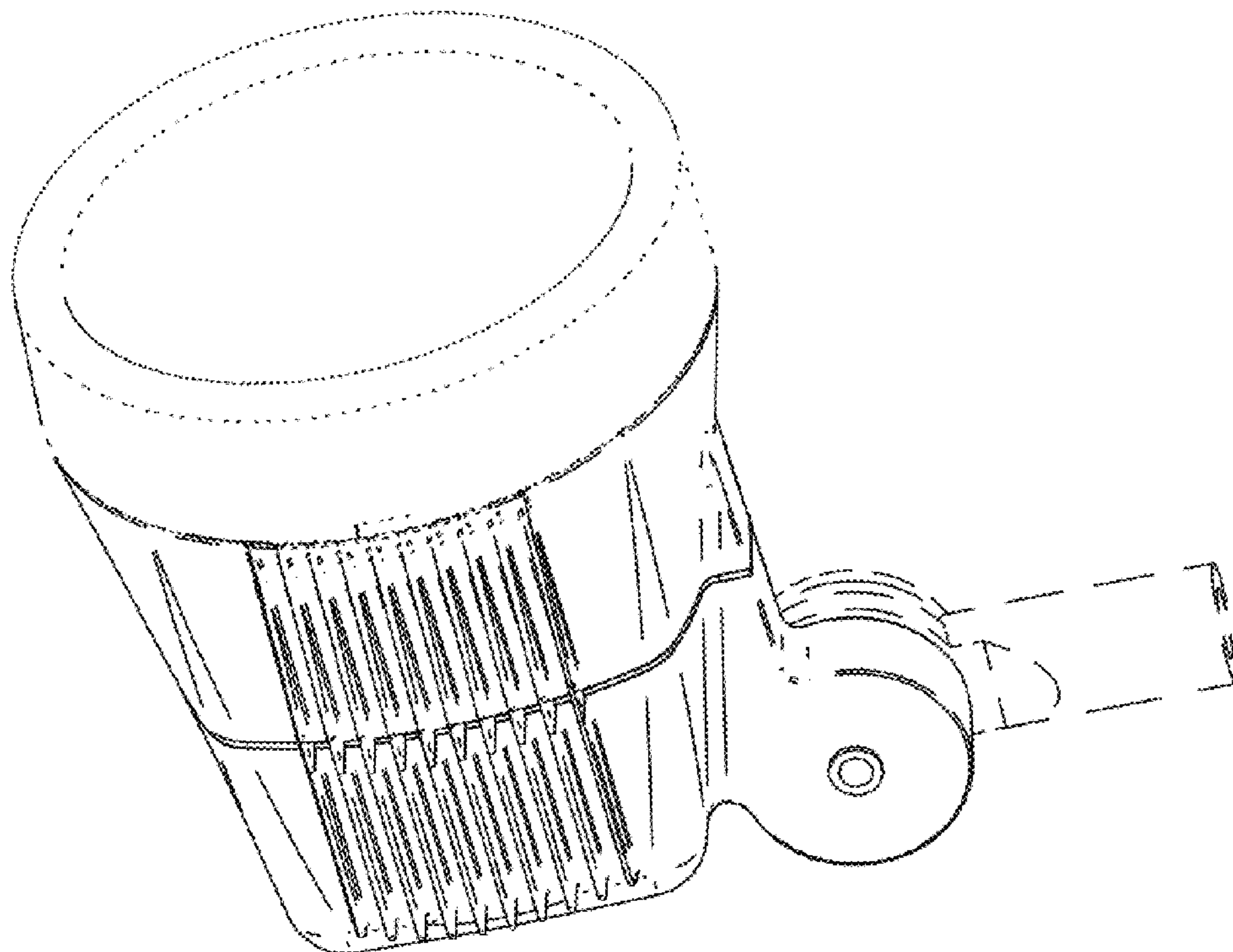
(57) **CLAIM**

The ornamental design for an outdoor luminaire, as shown and described.

**DESCRIPTION**

FIG. 1 is a rear perspective view of an outdoor luminaire showing my new design;  
 FIG. 2 is another rear perspective view of FIG. 1;  
 FIG. 3 is a bottom, front perspective view of FIG. 1;  
 FIG. 4 is a rear view of FIG. 1;  
 FIG. 5 is a front view of FIG. 1; and,  
 FIG. 6 is a top view of FIG. 1.  
 The broken lines are for illustrative purposes only and form no part of the claimed design.

**1 Claim, 1 Drawing Sheet**



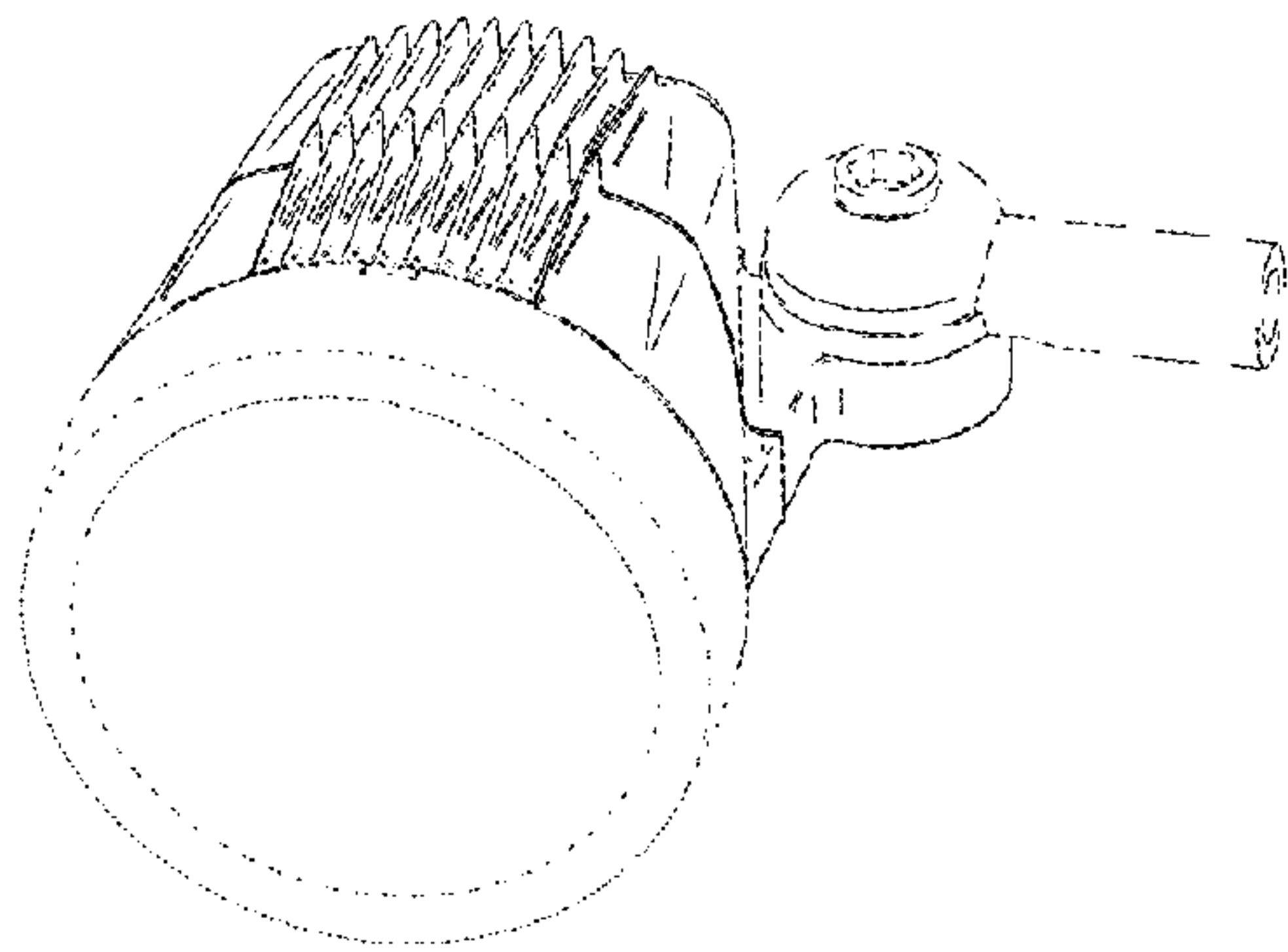


FIG. 1

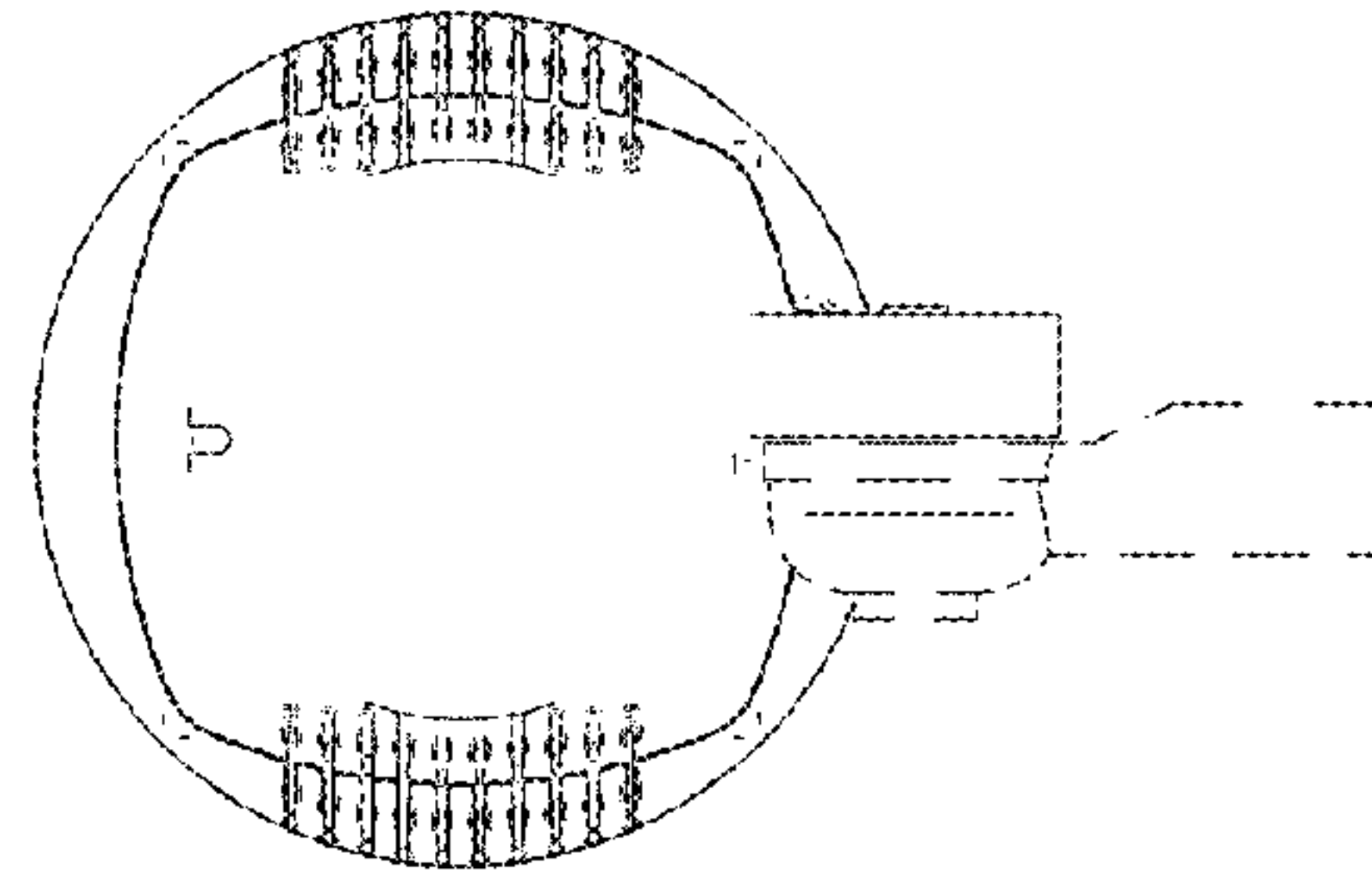


FIG. 2

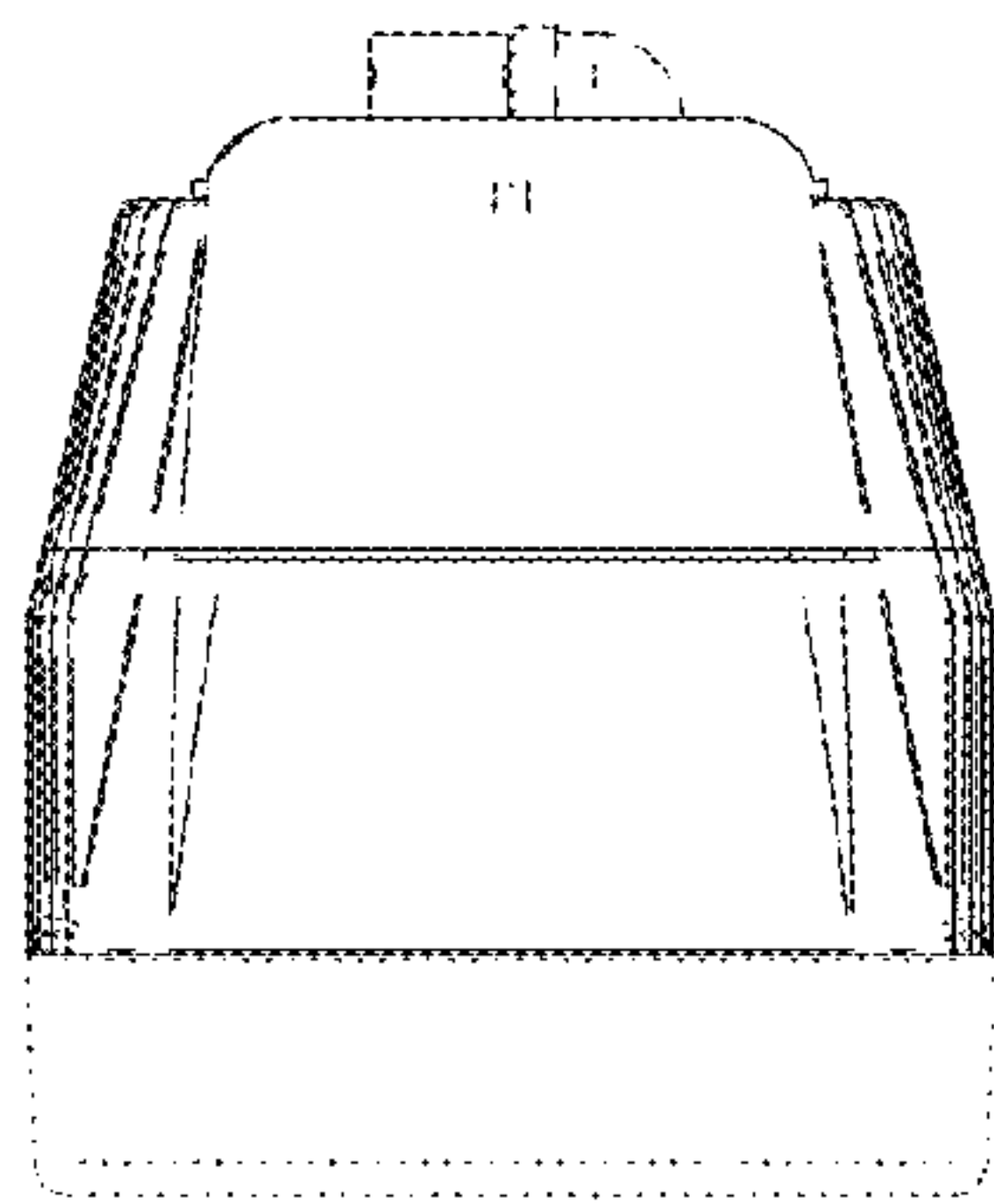


FIG. 3

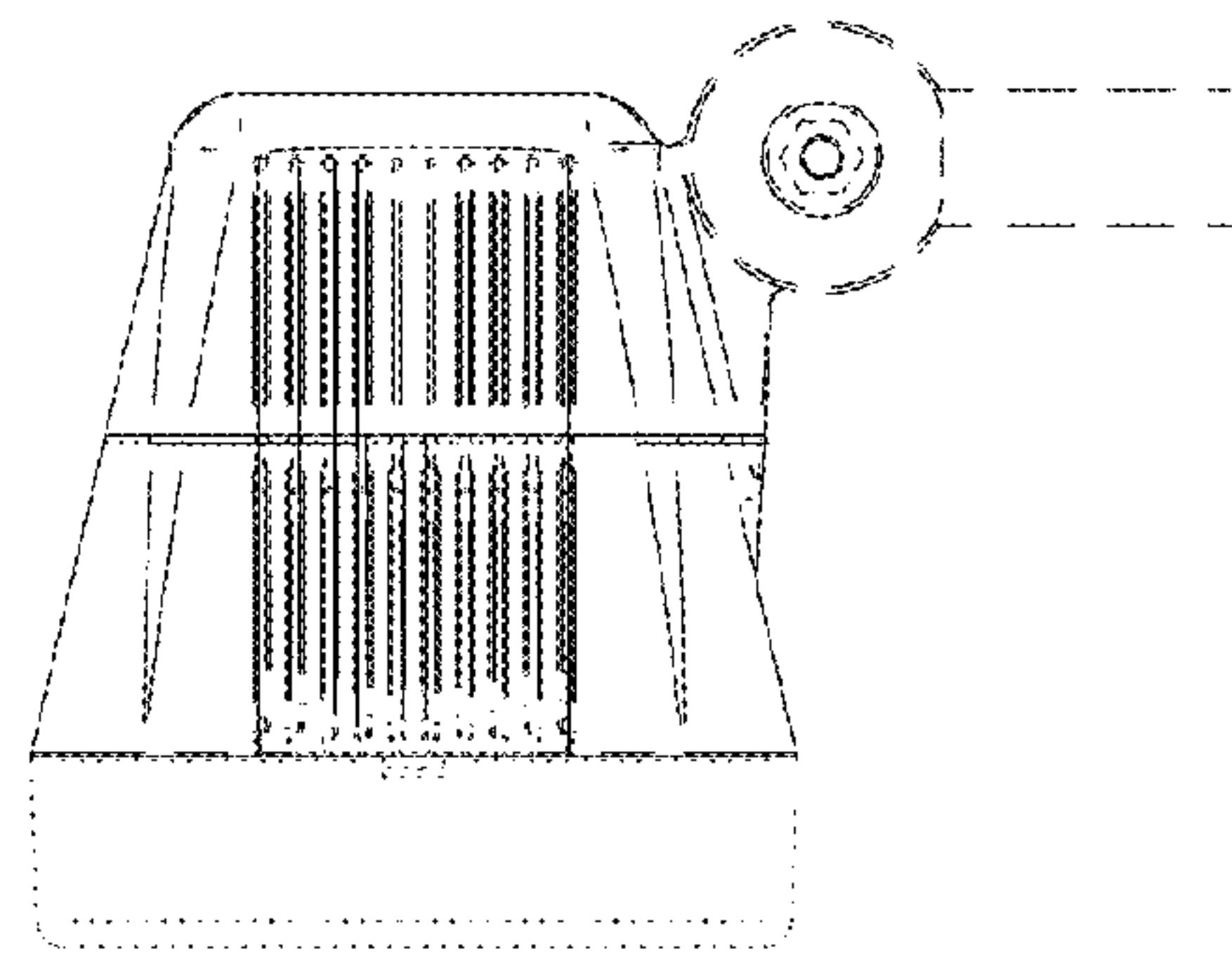


FIG. 4

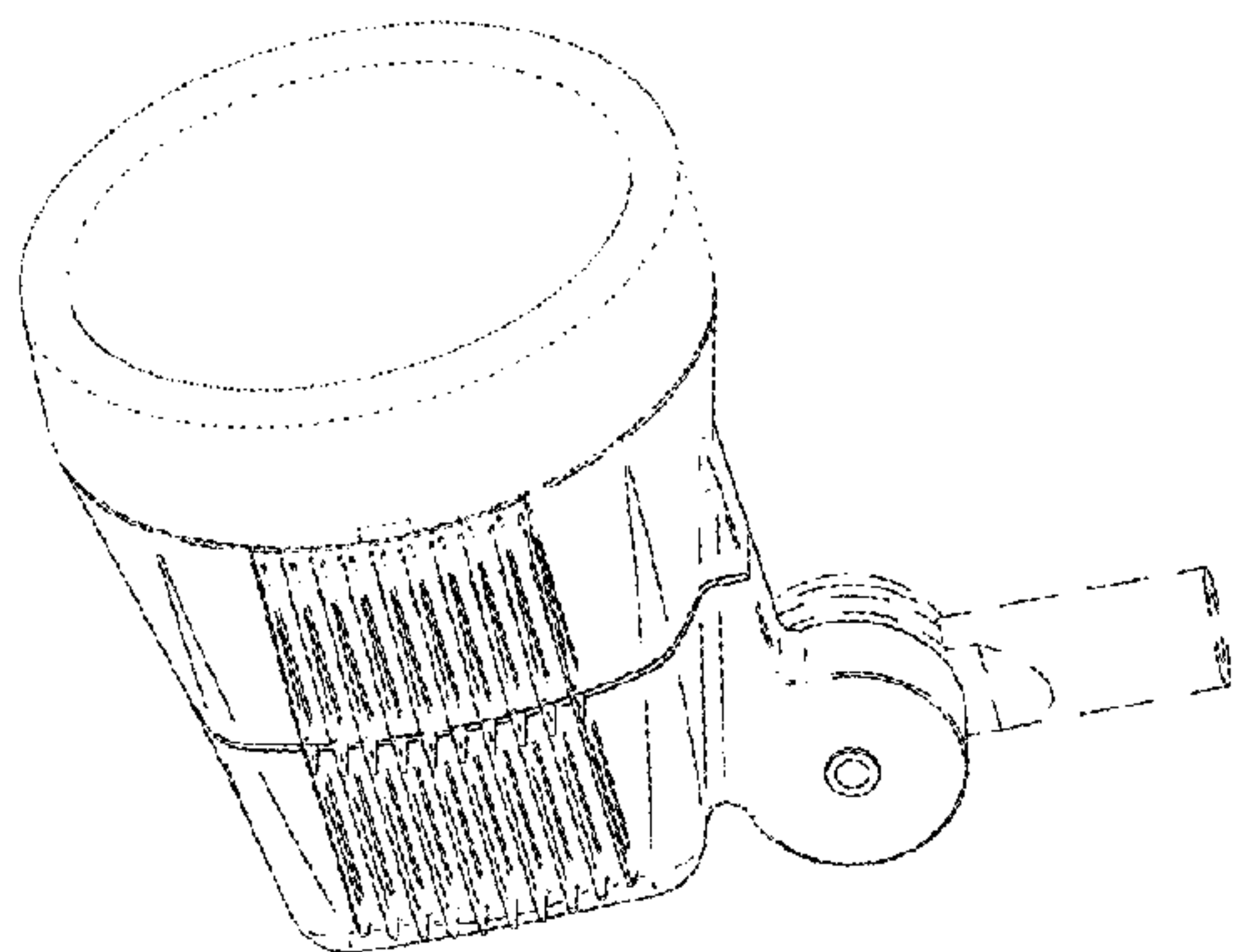


FIG. 5

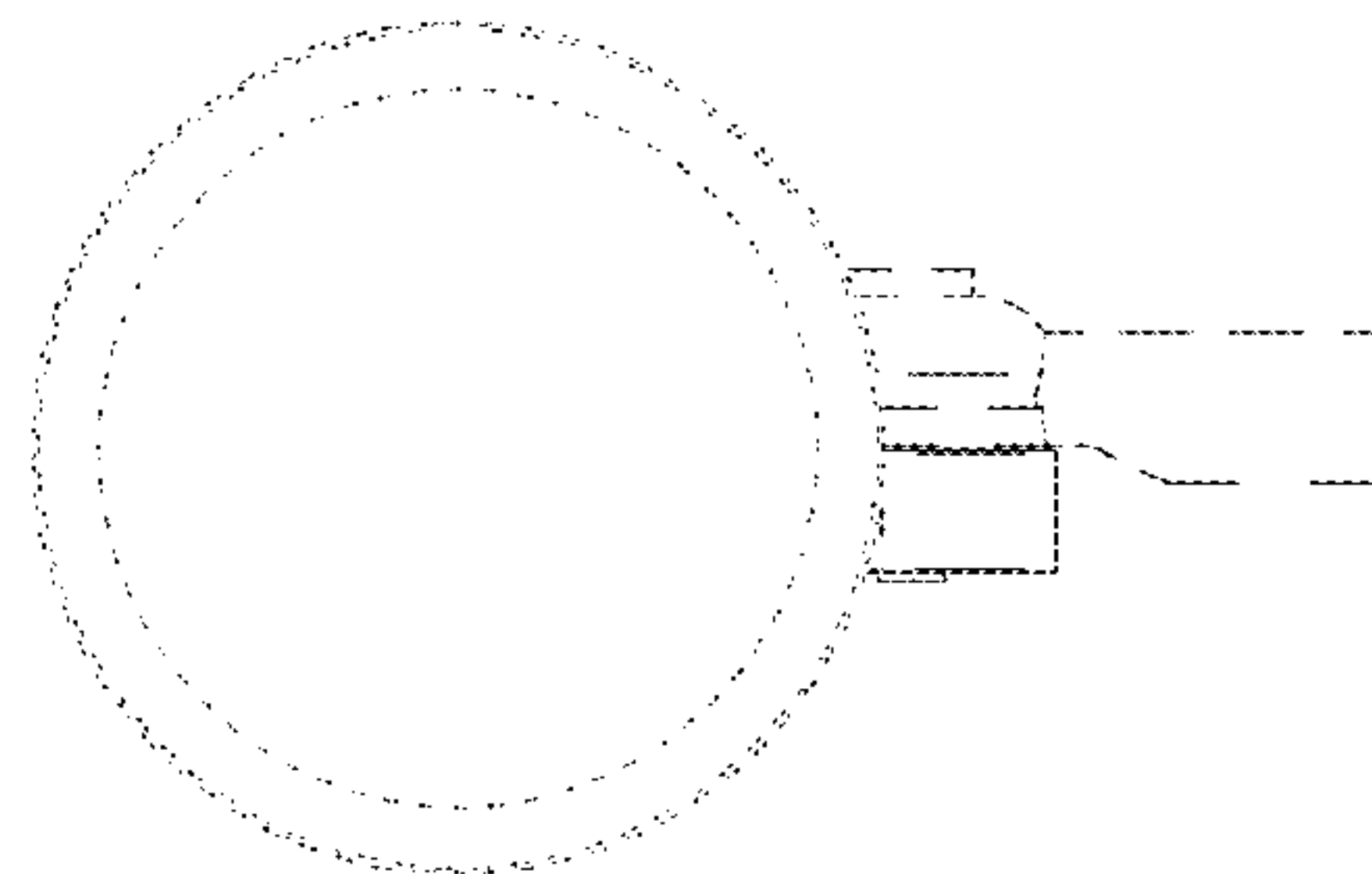


FIG. 6