



US00D803449S

(12) **United States Design Patent** (10) **Patent No.:** **US D803,449 S**  
**Xu et al.** (45) **Date of Patent:** **\*\* Nov. 21, 2017**

(54) **FLOODLIGHT**

(71) Applicant: **Ningbo Gemay Industry Co., Ltd.**,  
Ningbo, Zhejiang (CN)

(72) Inventors: **Xuefeng Xu**, Zhejiang (CN); **Youfei Chen**, Zhejiang (CN)

(73) Assignee: **Ningbo Gemay Industry Co., Ltd.**  
(CN)

(\*\*) Term: **15 Years**

(21) Appl. No.: **29/570,385**

(22) Filed: **Jul. 7, 2016**

(30) **Foreign Application Priority Data**

Apr. 14, 2016 (CN) ..... 2016 3 0124039

(51) **LOC (10) Cl.** ..... **26-03**

(52) **U.S. Cl.**  
USPC ..... **D26/63**

(58) **Field of Classification Search**  
USPC ..... D26/1, 24, 61, 63, 65, 85, 92  
CPC ..... F21V 21/14; F21V 15/01; F21V 14/02;  
F21V 21/30; F21V 21/00; F21V 14/00;  
F21S 8/00; F21S 8/003; F21S 8/043;  
F21Y 2105/001

See application file for complete search history.

(56) **References Cited**

U.S. PATENT DOCUMENTS

D296,829 S *	7/1988	Peppers .....	D26/63
D570,024 S *	5/2008	Guercio .....	D26/63
D747,526 S *	1/2016	Zhang .....	D26/63
D761,472 S *	7/2016	Zhu .....	D26/63
D761,473 S *	7/2016	Zhang .....	D26/63
D762,902 S *	8/2016	Ke .....	D26/63
D779,097 S *	2/2017	Xu .....	D26/63

\* cited by examiner

*Primary Examiner* — Brian N Vinson

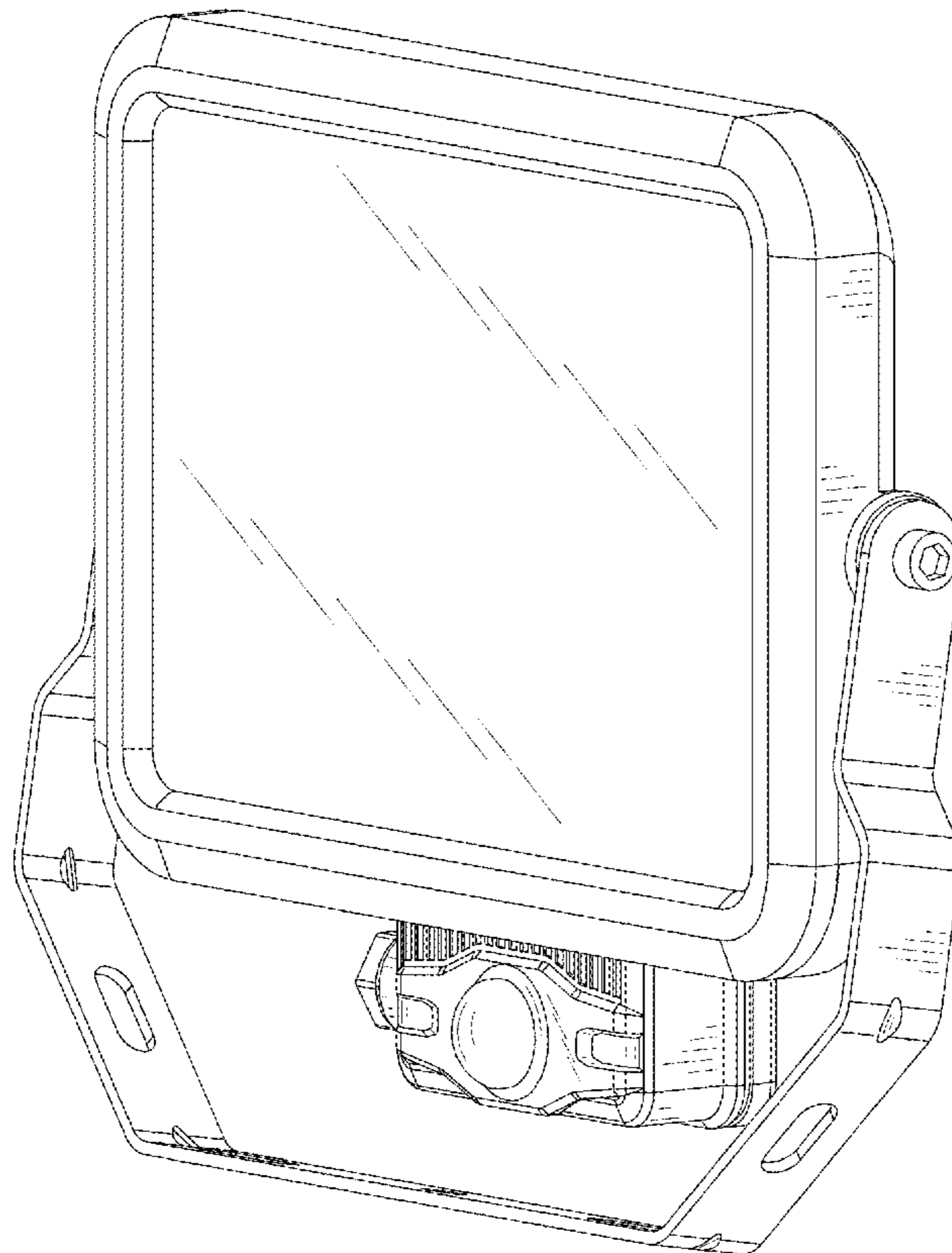
(57) **CLAIM**

The ornamental design for a floodlight, as shown and described.

**DESCRIPTION**

FIG. 1 is a front elevation of the floodlight showing our new design;  
FIG. 2 is a back elevation view thereof;  
FIG. 3 is a left elevation view thereof;  
FIG. 4 is a right elevation view thereof;  
FIG. 5 is a top view thereof;  
FIG. 6 is a bottom view thereof; and,  
FIG. 7 is a perspective view thereof.

**1 Claim, 3 Drawing Sheets**



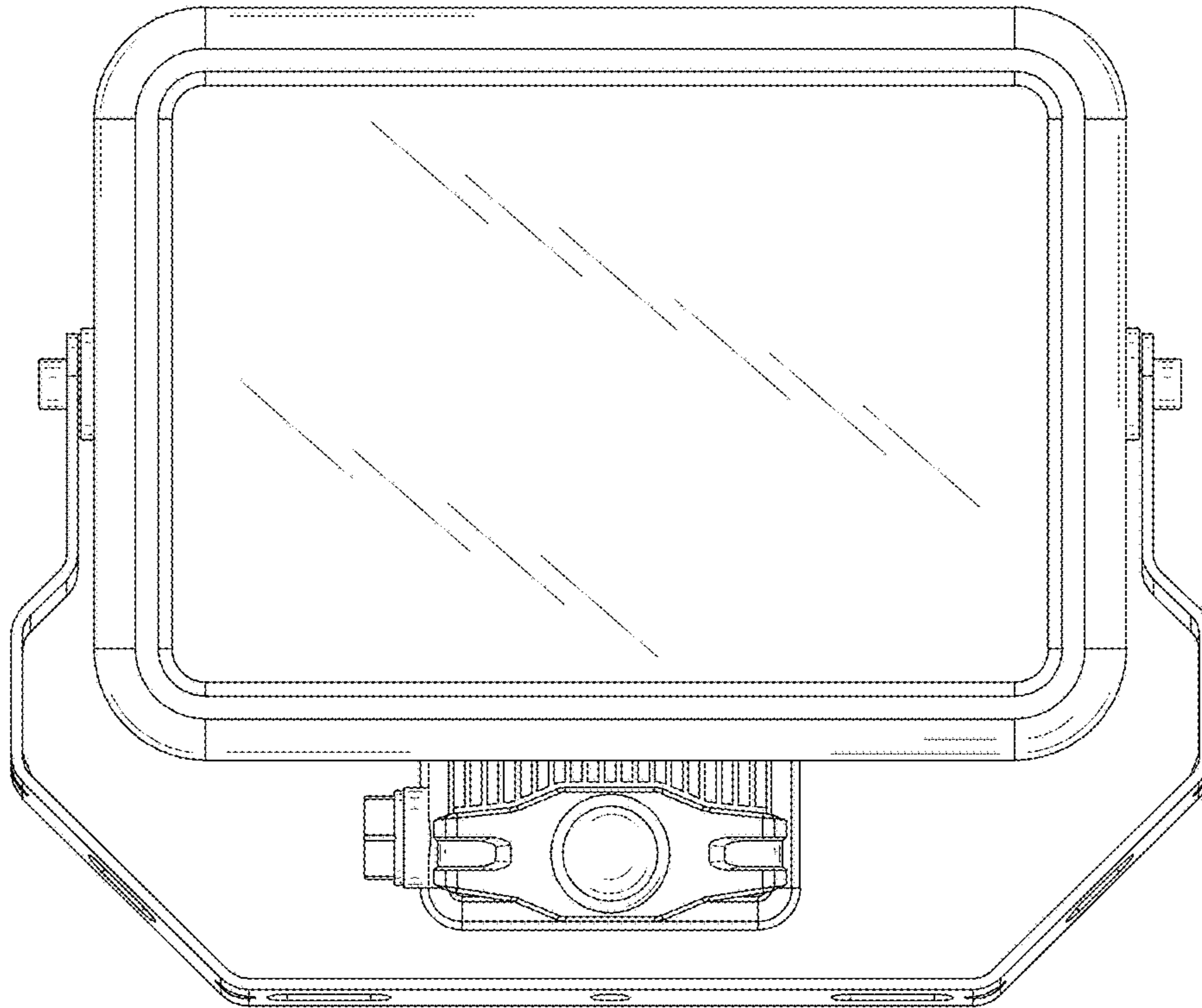


FIG. 1

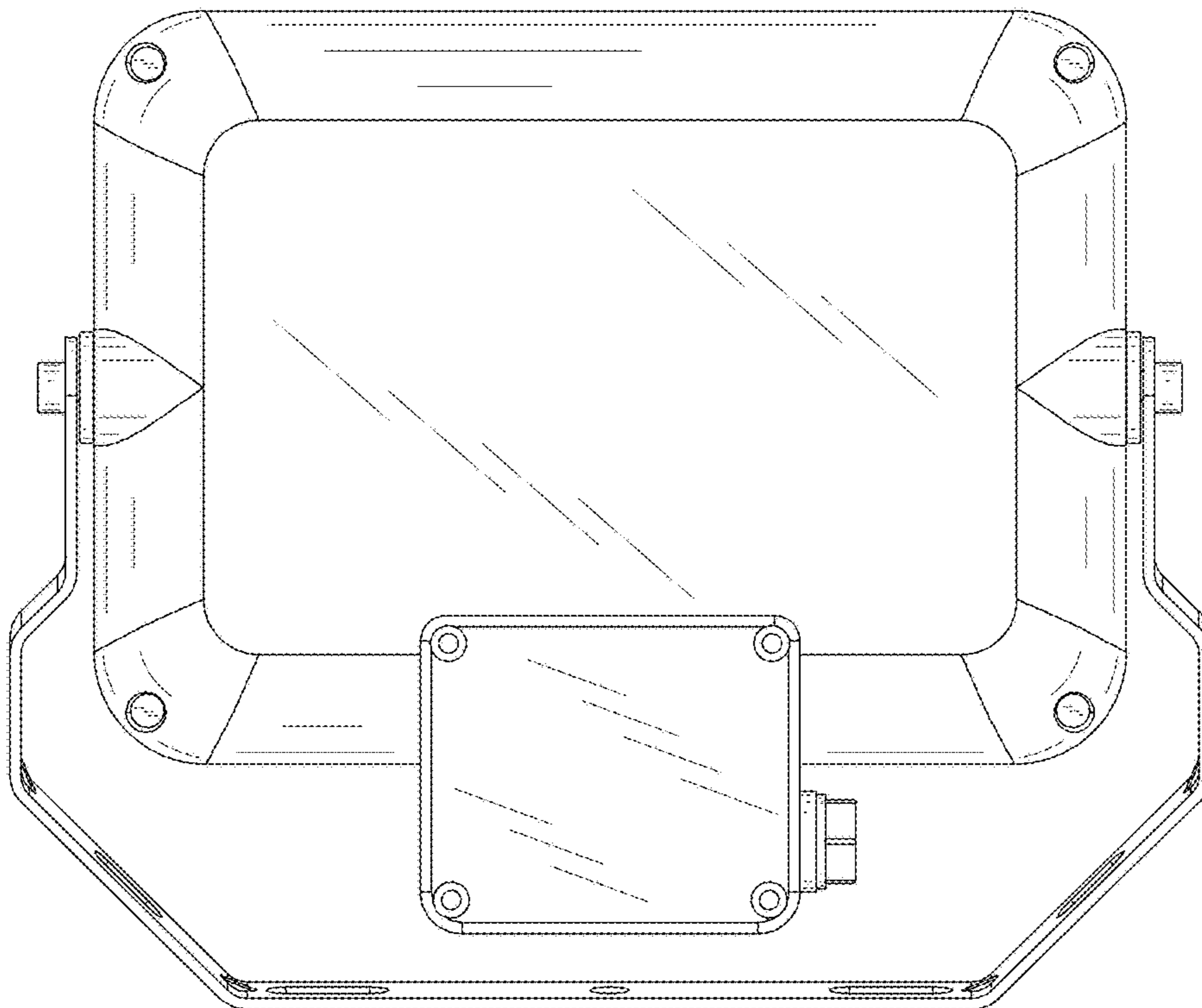


FIG. 2

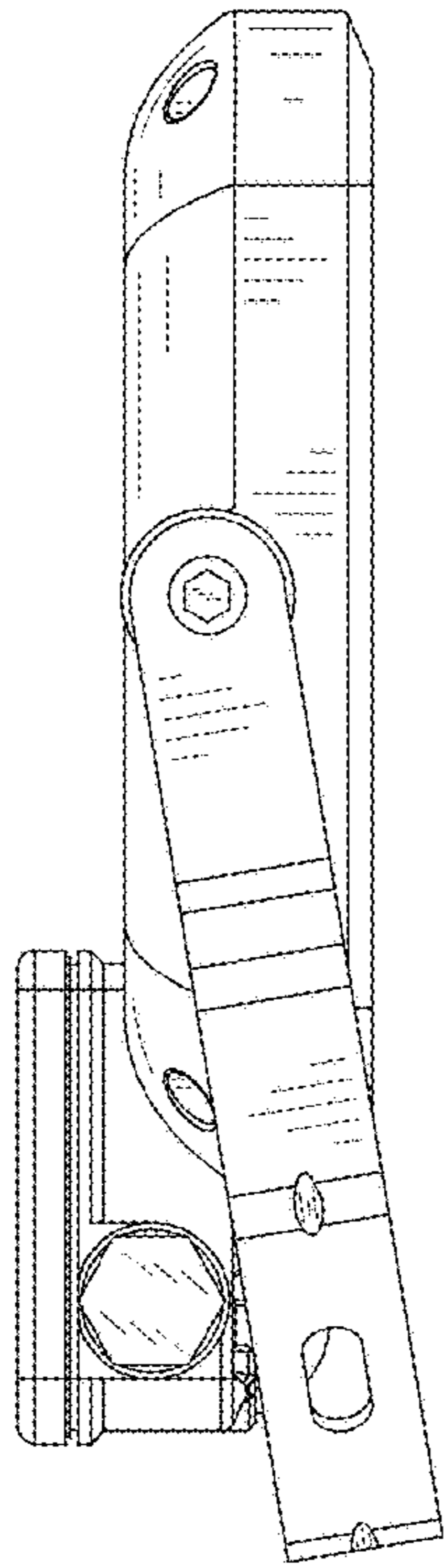


FIG. 3

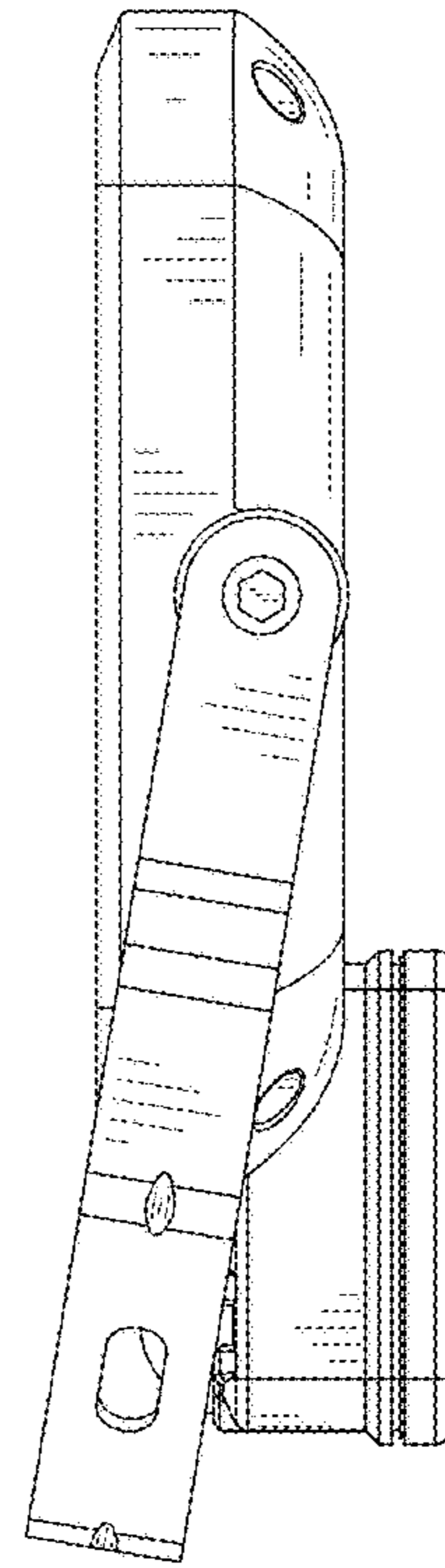


FIG. 4

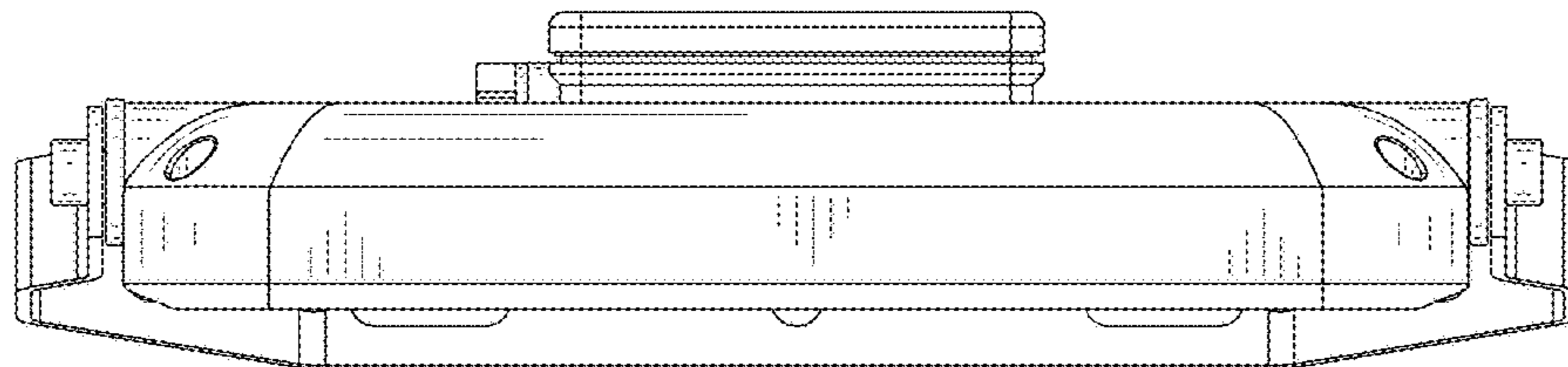


FIG. 5

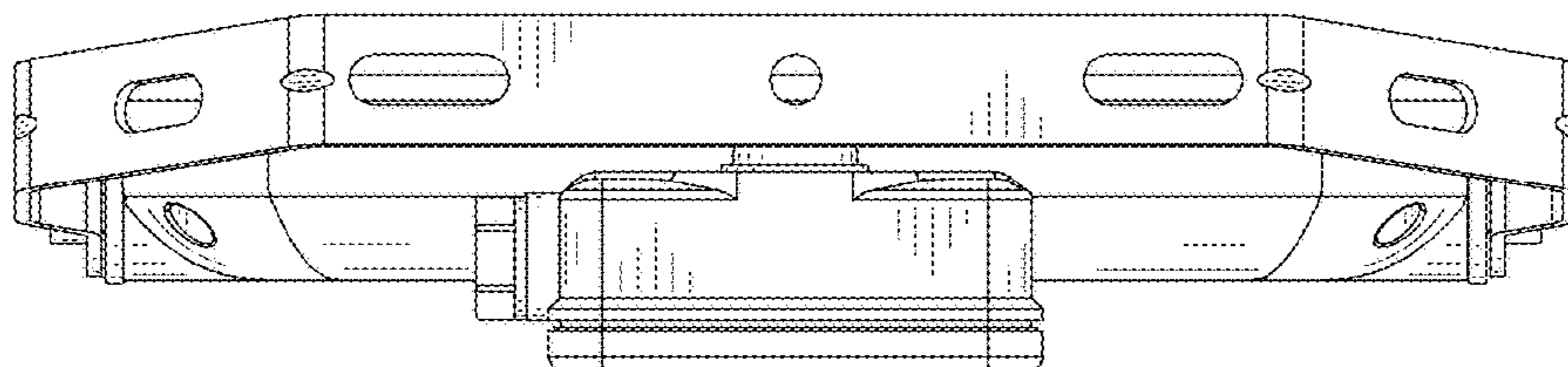


FIG. 6

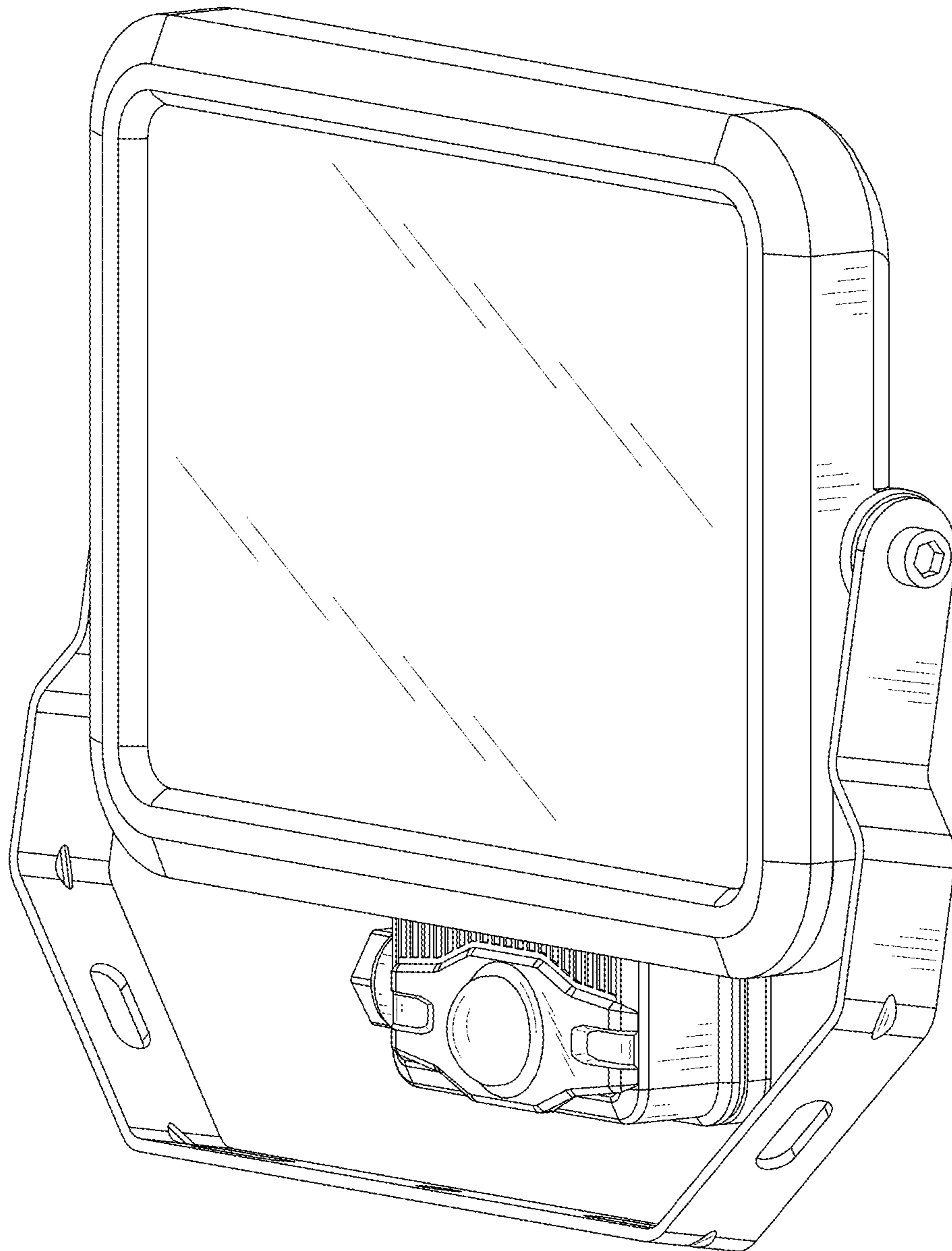


FIG. 7