



US00D803448S

(12) **United States Design Patent**
Dupras

(10) **Patent No.:** **US D803,448 S**

(45) **Date of Patent:** **** Nov. 21, 2017**

(54) **LIGHT FIXTURE**

(71) Applicant: **LUMISAVE INDUSTRIAL LED TECHNOLOGIES LTD.**, Prince George (CA)

(72) Inventor: **Jay Dupras**, Prince George (CA)

(73) Assignee: **LUMISAVE INDUSTRIAL LED TECHNOLOGIES LTD.**, Prince George, BC (CA)

(**) Term: **15 Years**

(21) Appl. No.: **29/540,240**

(22) Filed: **Sep. 22, 2015**

(30) **Foreign Application Priority Data**

Jun. 11, 2015 (CA) 162942

(51) **LOC (10) Cl.** **26-05**

(52) **U.S. Cl.**
USPC **D26/63; D26/72**

(58) **Field of Classification Search**
USPC D26/24, 63, 72, 80, 84, 88, 89, 118, 152
CPC F21S 8/04; F21S 8/026; F21S 8/033; F21S 8/036; F21S 8/03; F21S 8/043; F21S 8/046; F21S 8/06; F21S 8/061; F21S 8/063; F21S 8/068; F21S 13/02; F21V 21/04; F21V 17/02; F21V 17/04; F21V 17/164

See application file for complete search history.

(56) **References Cited**

U.S. PATENT DOCUMENTS

D189,428 S * 12/1960 Salvia D26/61
D220,118 S * 3/1971 Tawil et al. D26/63
D591,883 S * 5/2009 Gill D26/63
7,780,318 B2 * 8/2010 Xiao F21V 21/30
248/200
D623,326 S * 9/2010 Chen D26/63

D630,785 S * 1/2011 Kim D26/63
D642,721 S * 8/2011 Li D26/63
D645,594 S * 9/2011 Grawe D26/63
D674,949 S * 1/2013 Georgitsis F21V 21/14
D26/63
D679,853 S * 4/2013 Chiou D26/63
D689,234 S * 9/2013 Zhang D26/72
D693,501 S * 11/2013 Kochman D26/63
D744,685 S * 12/2015 Zhan D26/63
D761,472 S * 7/2016 Zhu D26/63

(Continued)

Primary Examiner — Clare E Heflin

(74) *Attorney, Agent, or Firm* — Preti Flaherty Beliveau & Pachios LLP

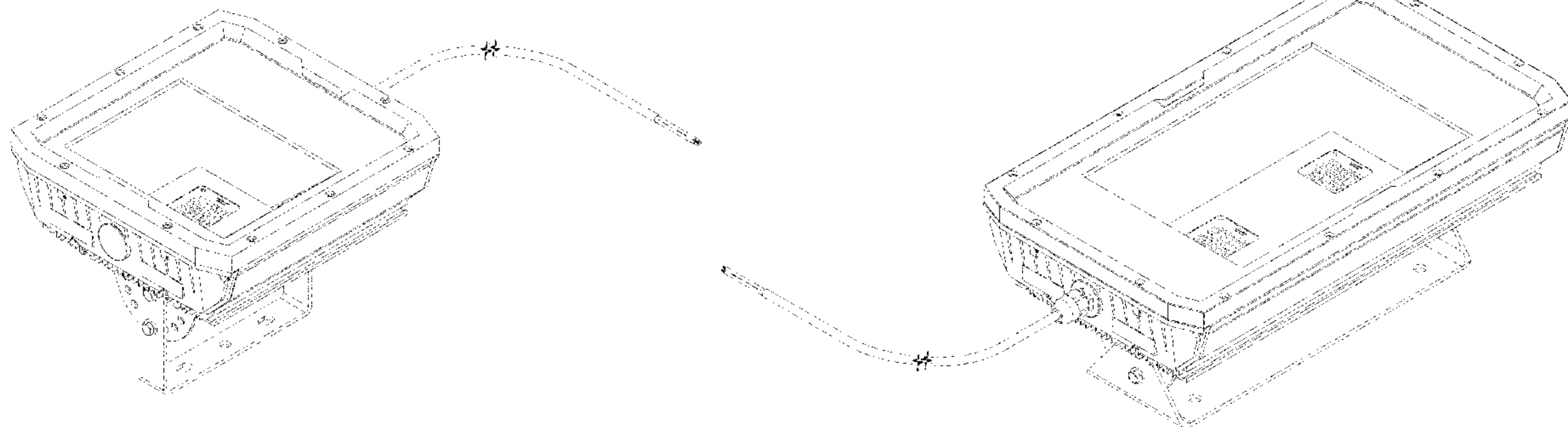
(57) **CLAIM**

The ornamental design for a light fixture, as shown and described.

DESCRIPTION

FIG. 1 is a perspective view of the light fixture.
FIG. 2 is a bottom view of the light fixture of FIG. 1.
FIG. 3 is a top view of the light fixture of FIG. 1.
FIG. 4 is a back view of the light fixture of FIG. 1.
FIG. 5 is a front view of the light fixture of FIG. 1.
FIG. 6 is a right side view of the light fixture of FIG. 1.
FIG. 7 is a left side view of the light fixture of FIG. 1.
FIG. 8 is a perspective view of a second embodiment of the light fixture.
FIG. 9 is a bottom view of the light fixture of FIG. 8.
FIG. 10 is a top view of the light fixture of FIG. 8.
FIG. 11 is a front view of the light fixture of FIG. 8.
FIG. 12 is a back view of the light fixture of FIG. 8.
FIG. 13 is a left side view of the light fixture of FIG. 8; and, FIG. 14 is a right side view of the light fixture of FIG. 8.
The broken line showings of bracket and cord in FIG. 1-14 are for the purpose of illustrating the environmental structure and form no part of the claimed design.

1 Claim, 8 Drawing Sheets



(56)

References Cited

U.S. PATENT DOCUMENTS

2010/0296287 A1* 11/2010 Huang F21V 15/013
362/249.02
2012/0087118 A1* 4/2012 Bailey F21V 29/507
362/235
2013/0308325 A1* 11/2013 Verfueth F21V 21/30
362/371

* cited by examiner

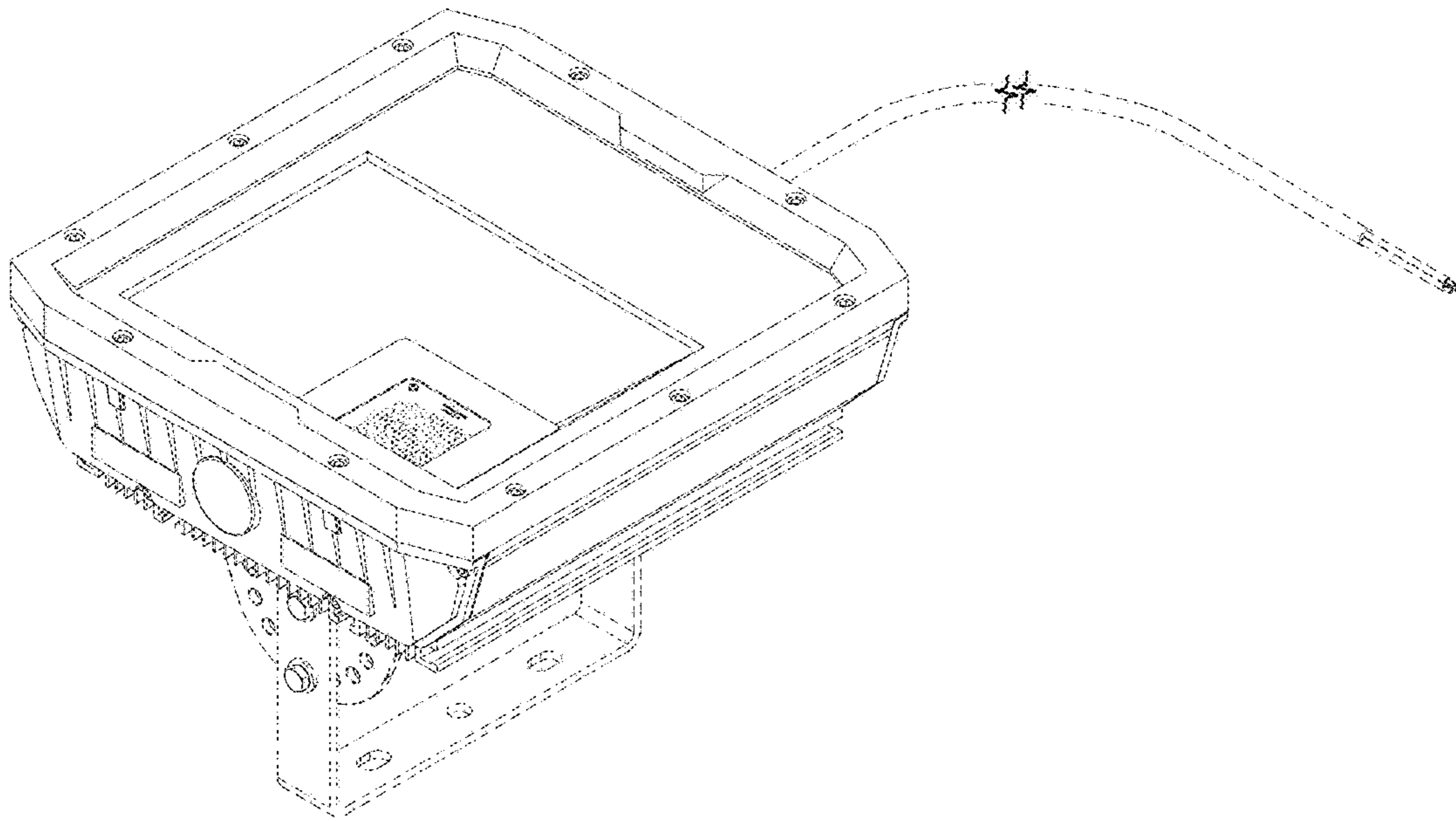


FIG.1

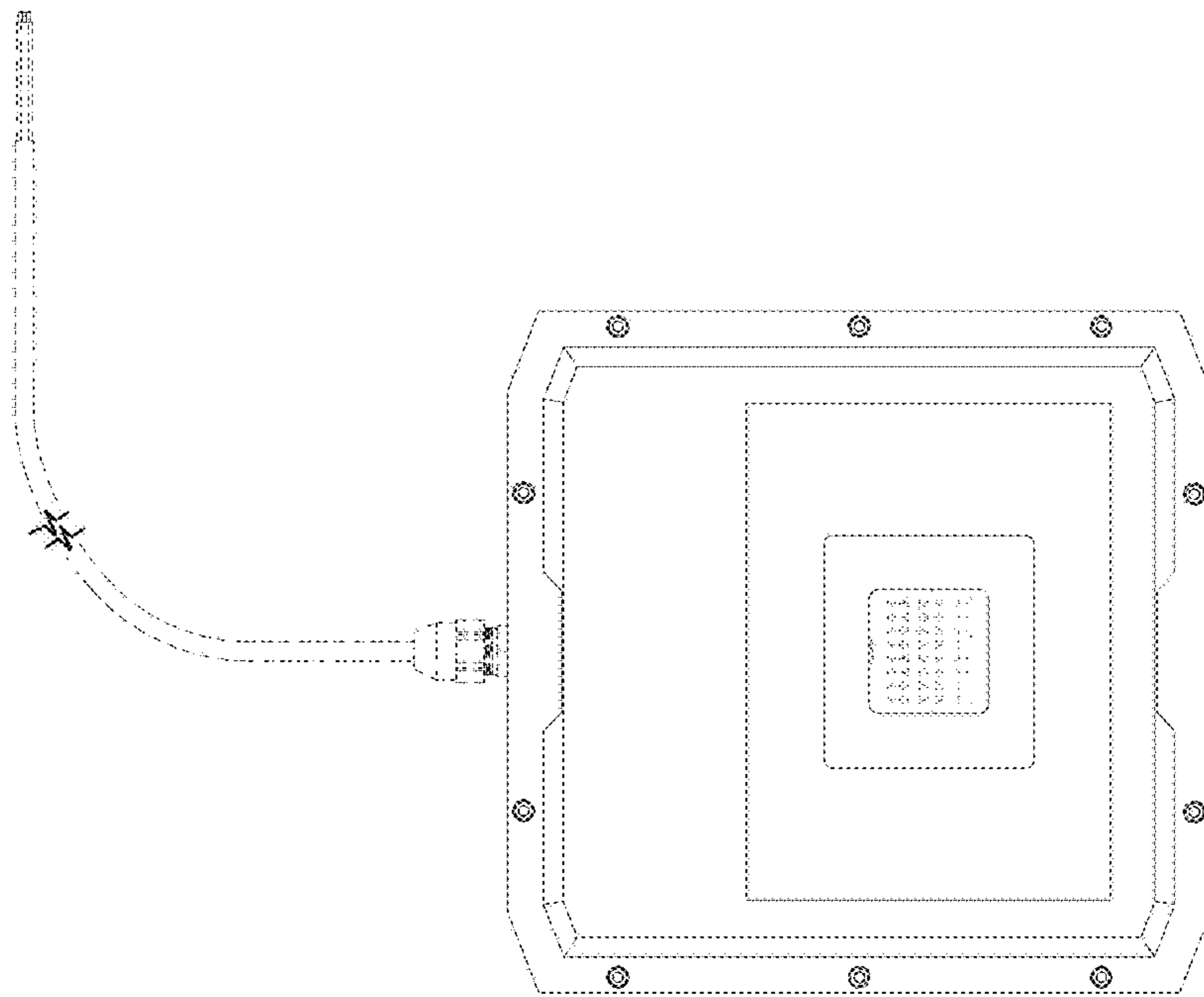


FIG. 2

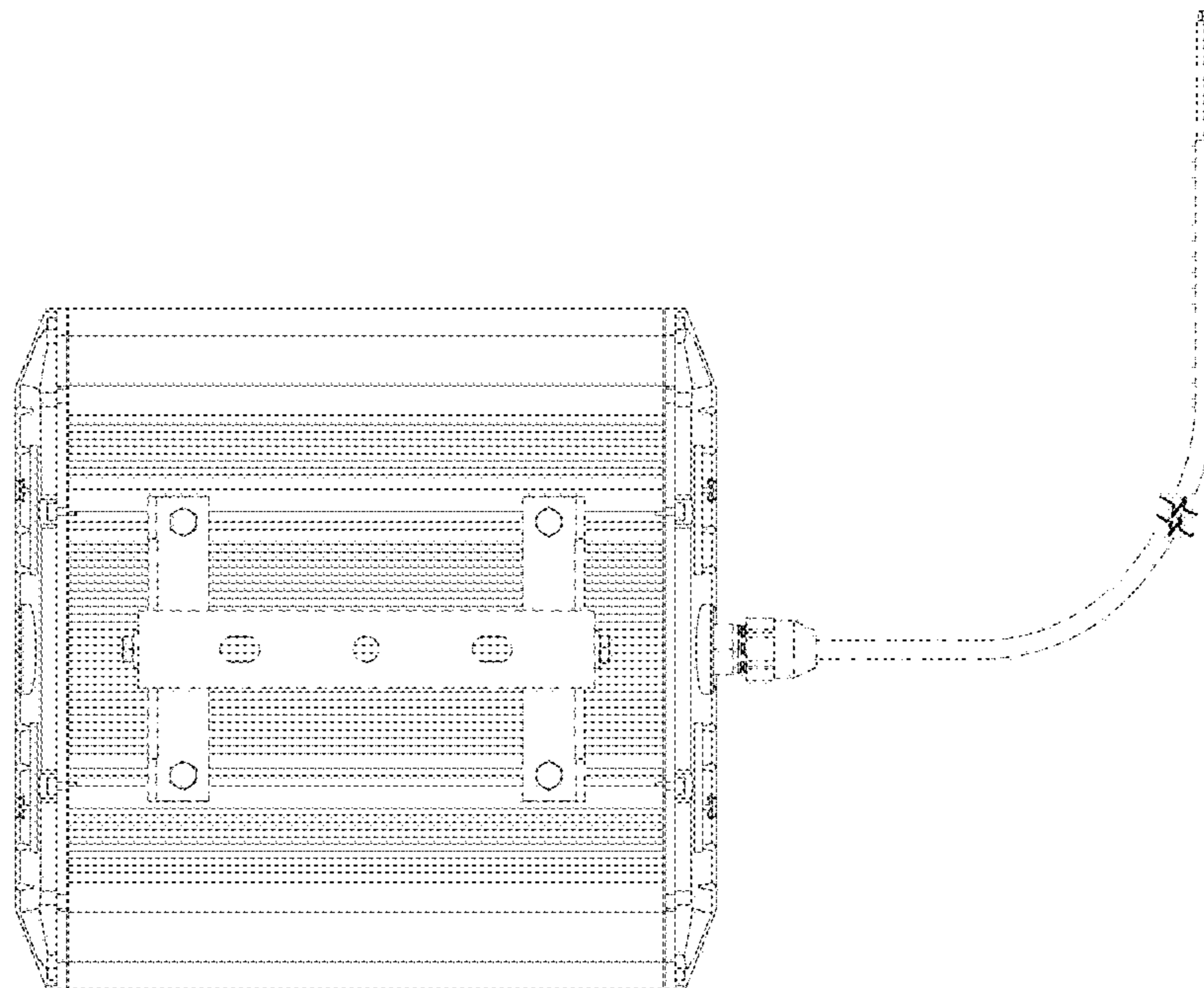


FIG. 3

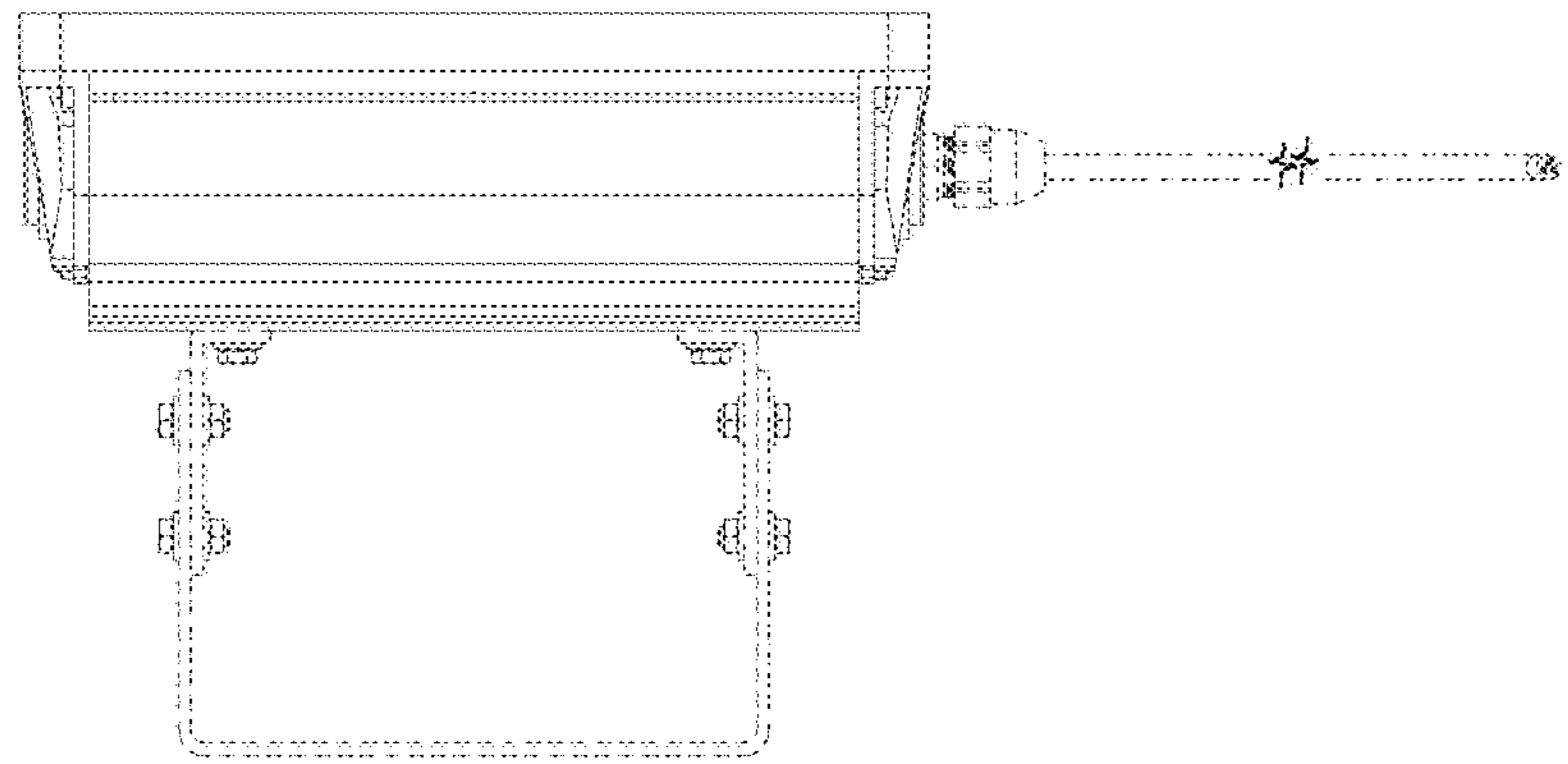


FIG. 4

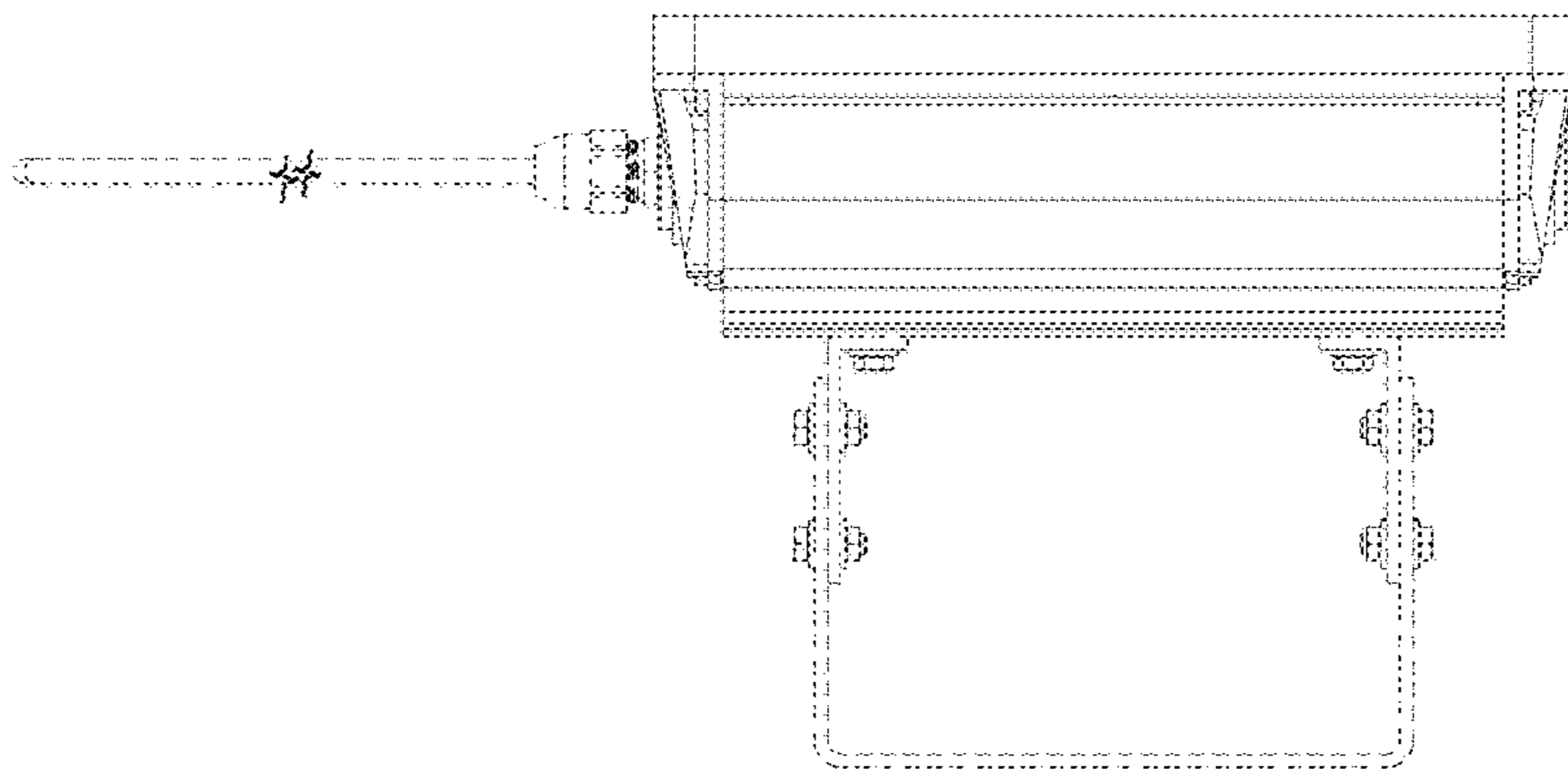


FIG. 5

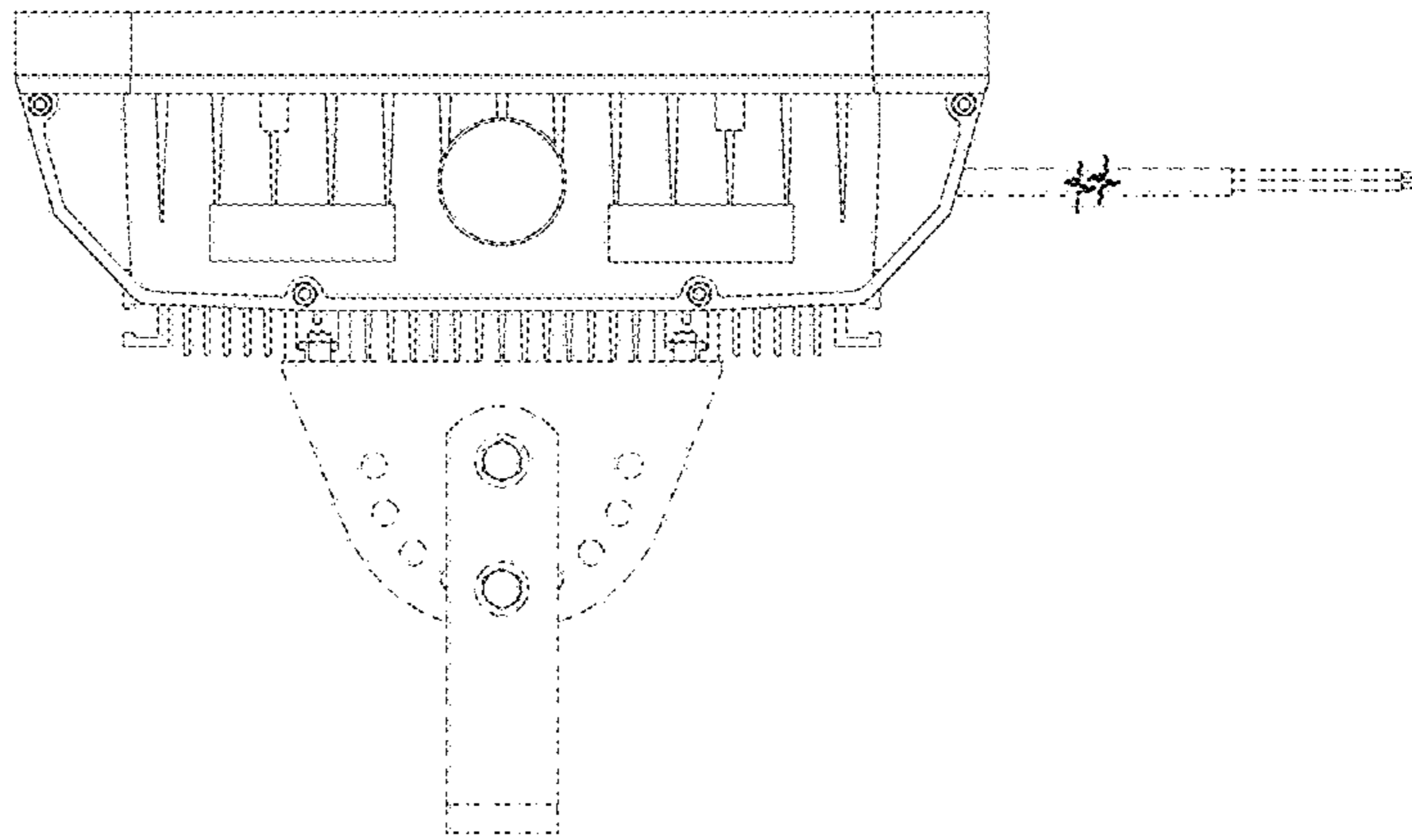


FIG. 6

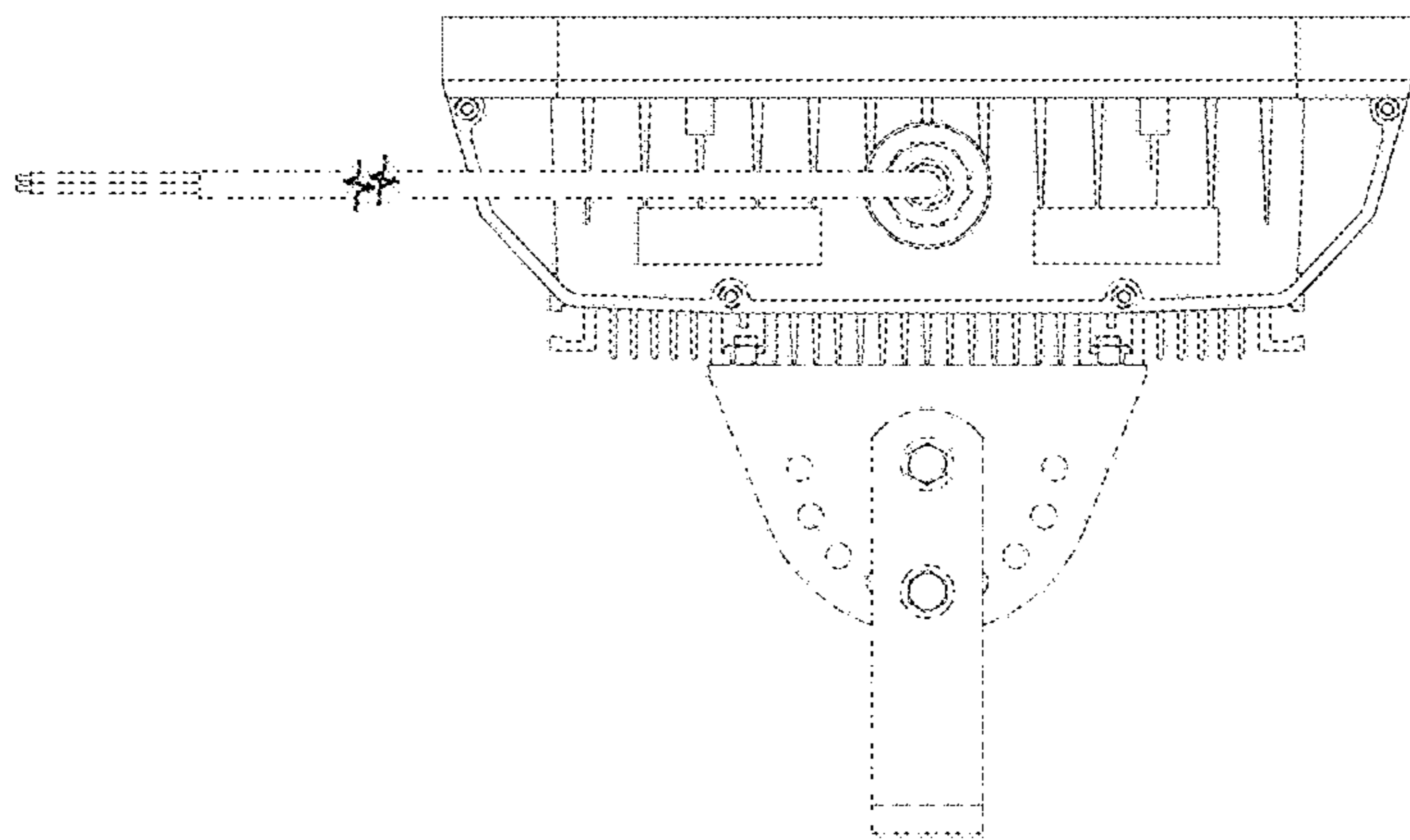


FIG. 7

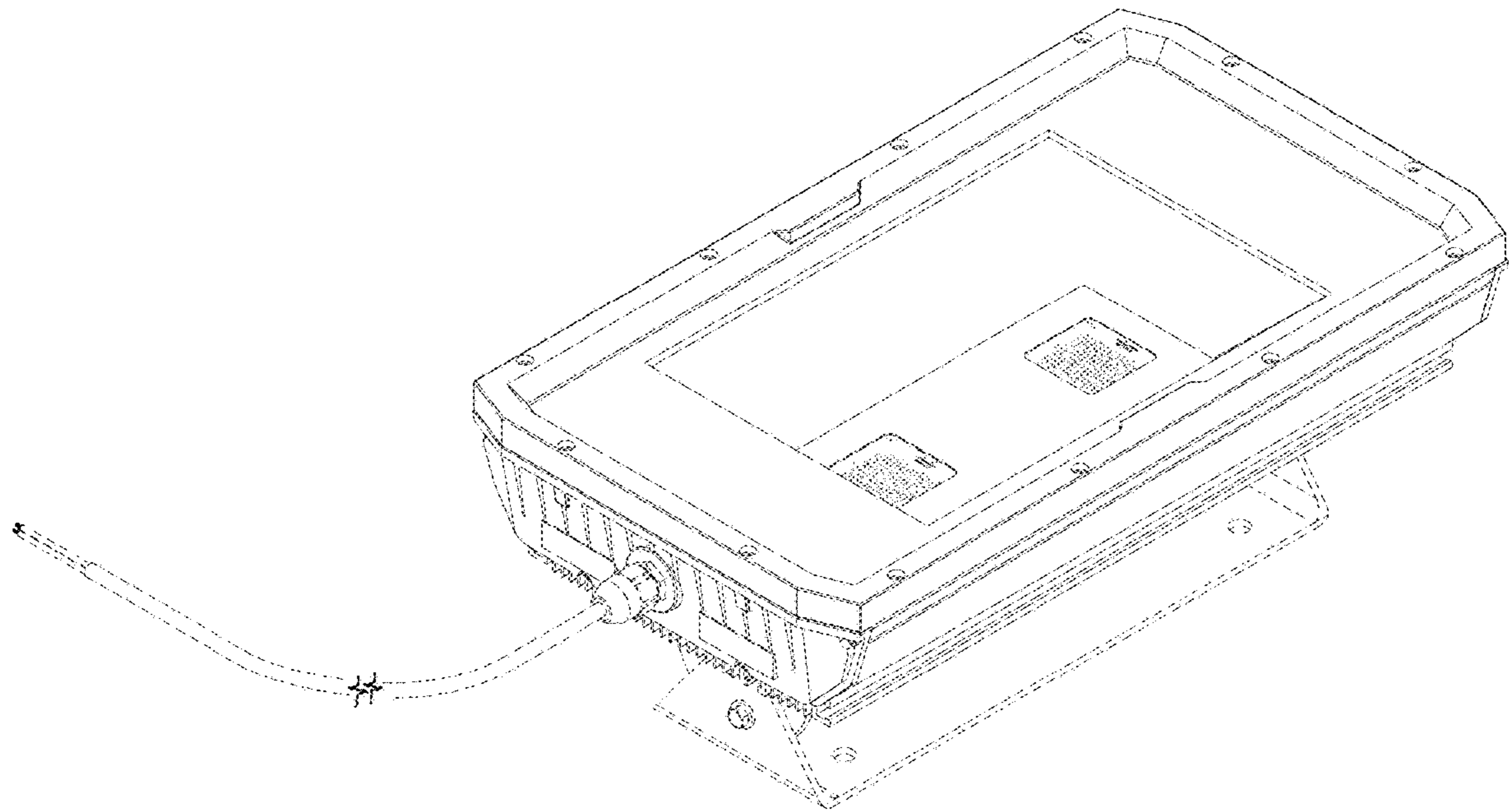


FIG.8

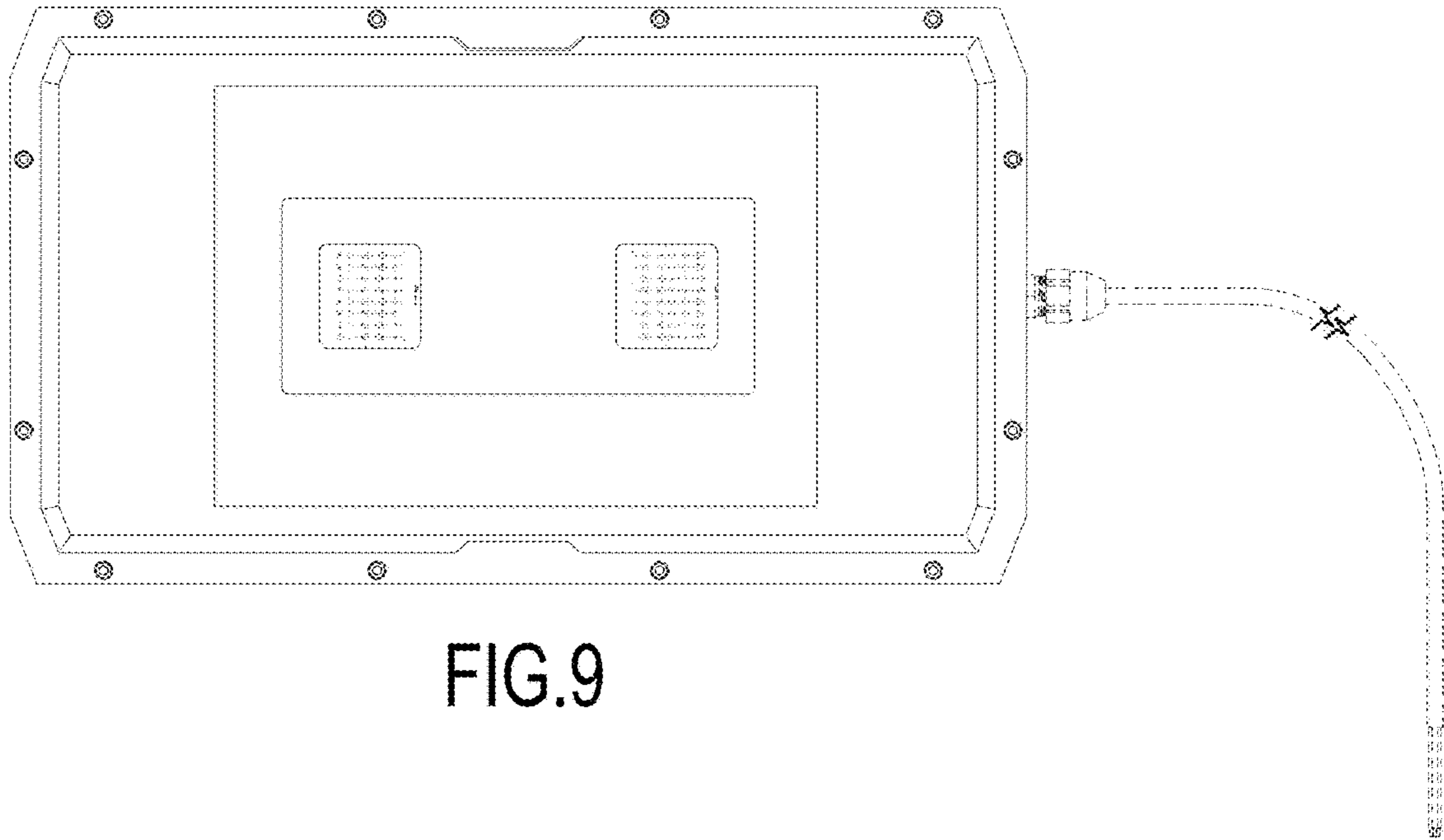


FIG.9

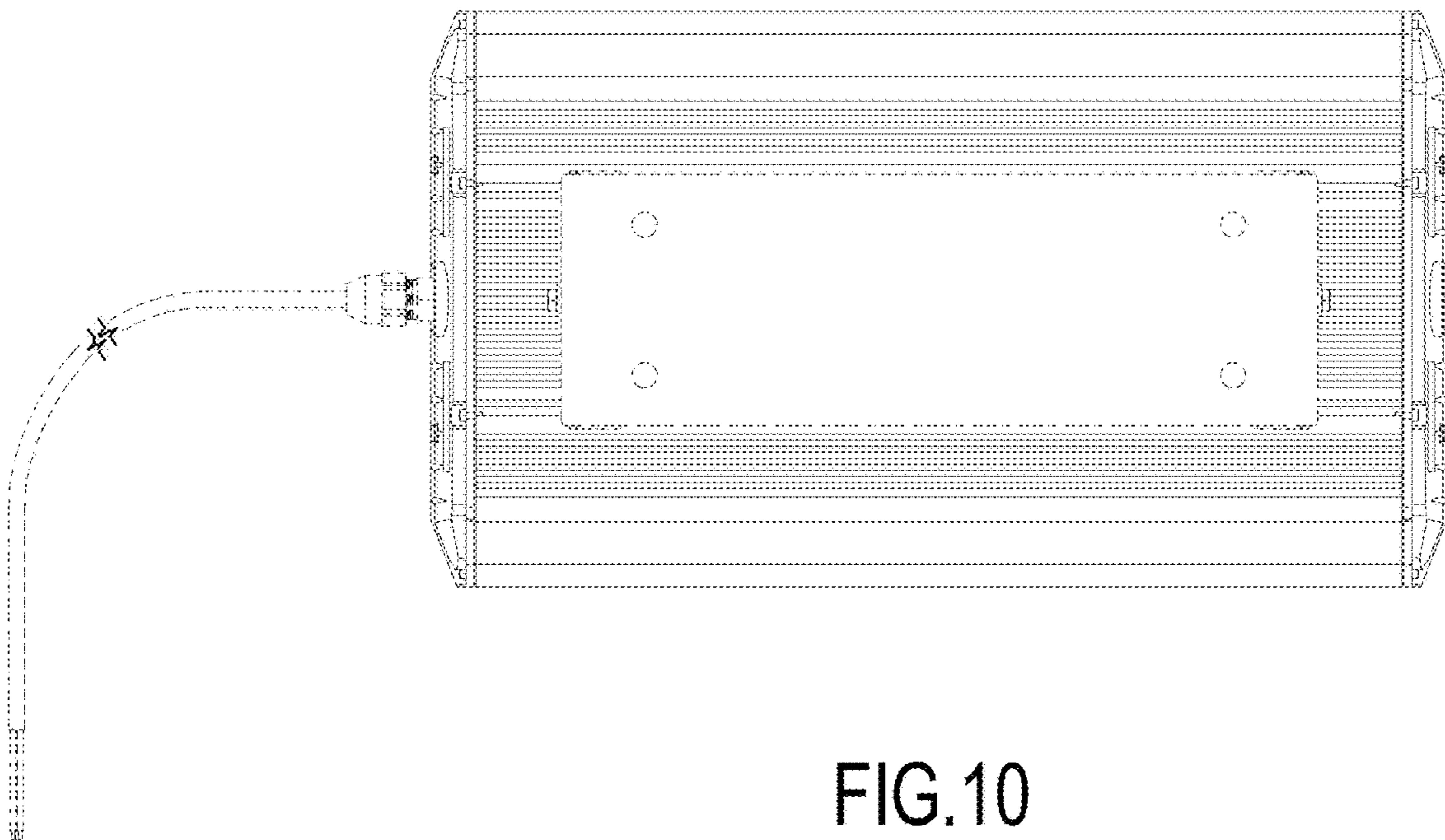


FIG.10

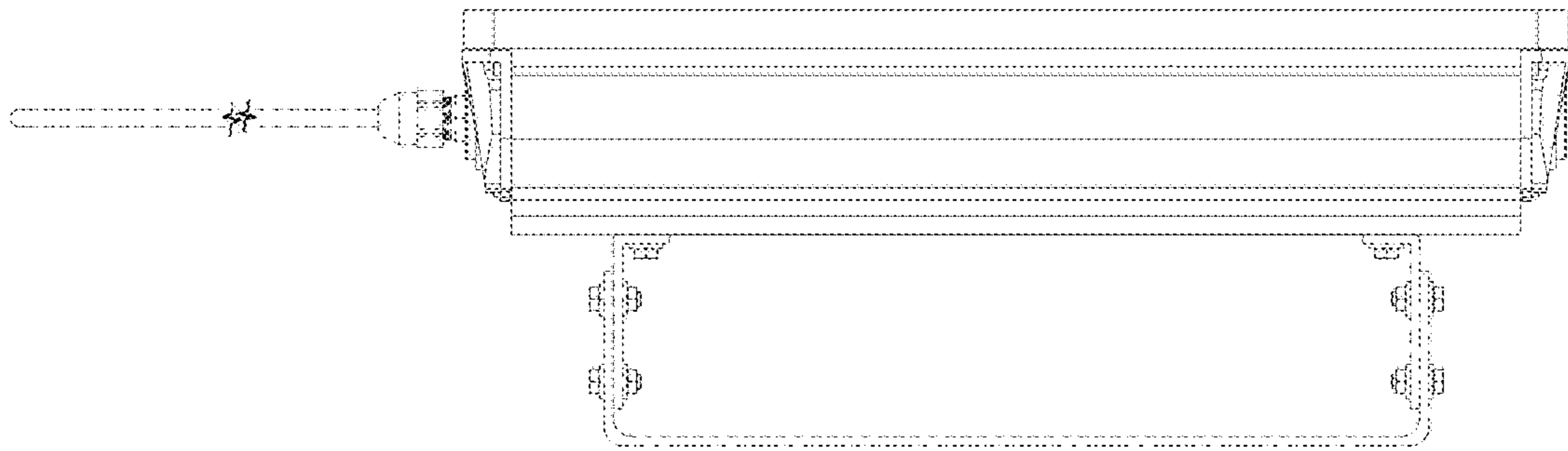


FIG.11

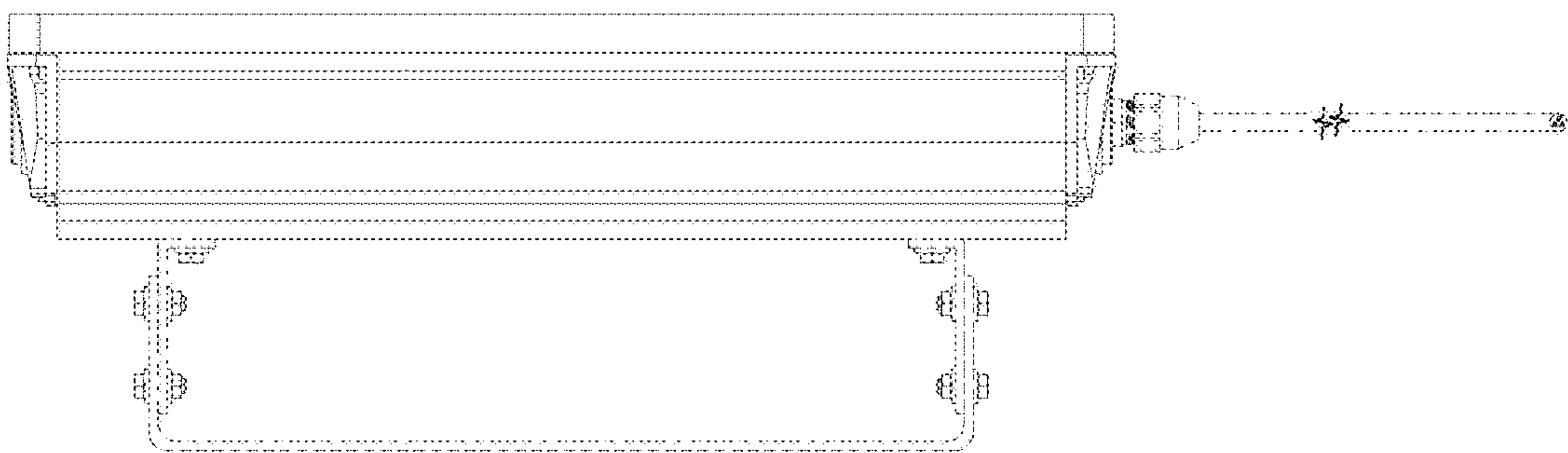


FIG.12

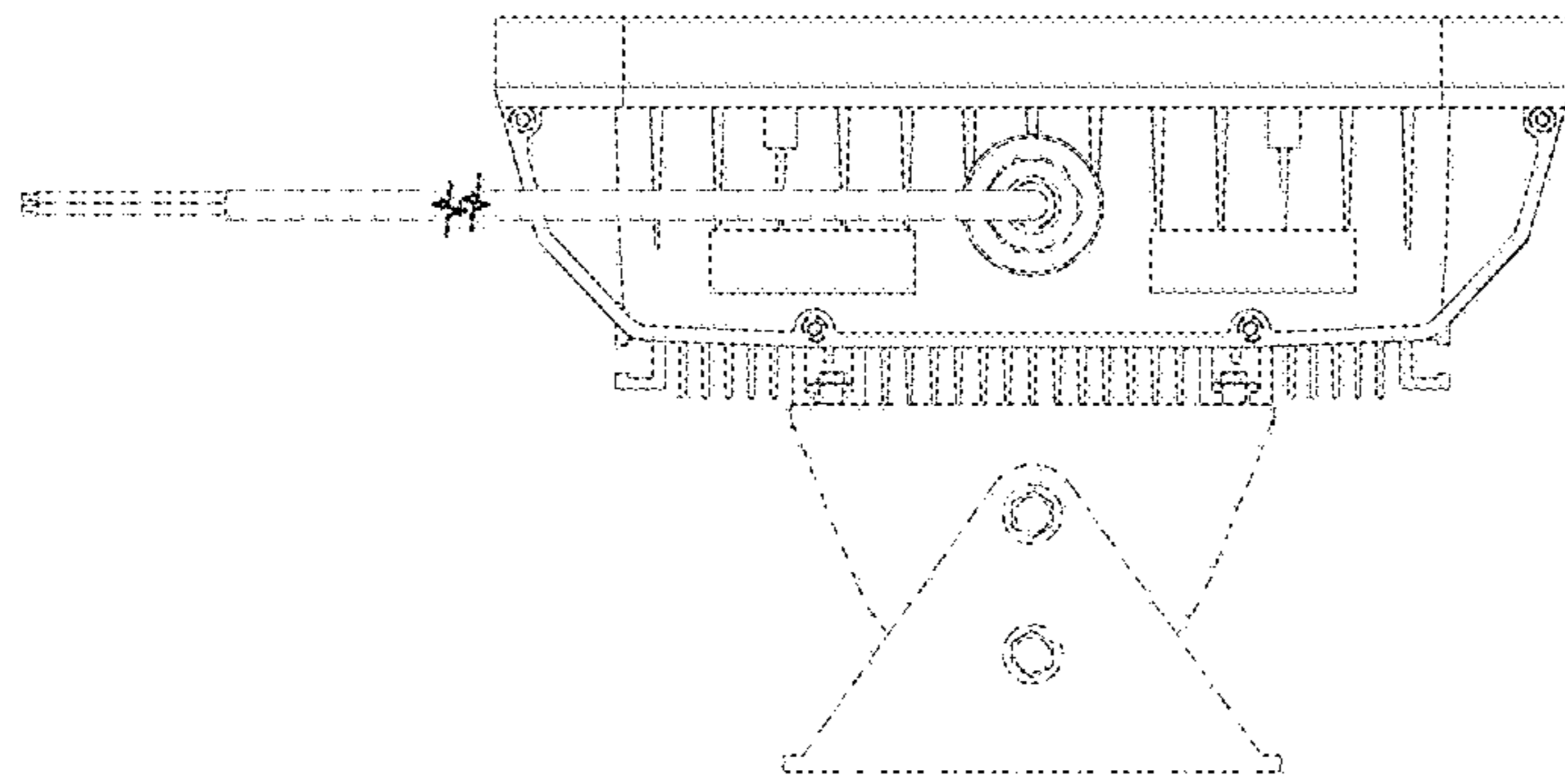


FIG. 13

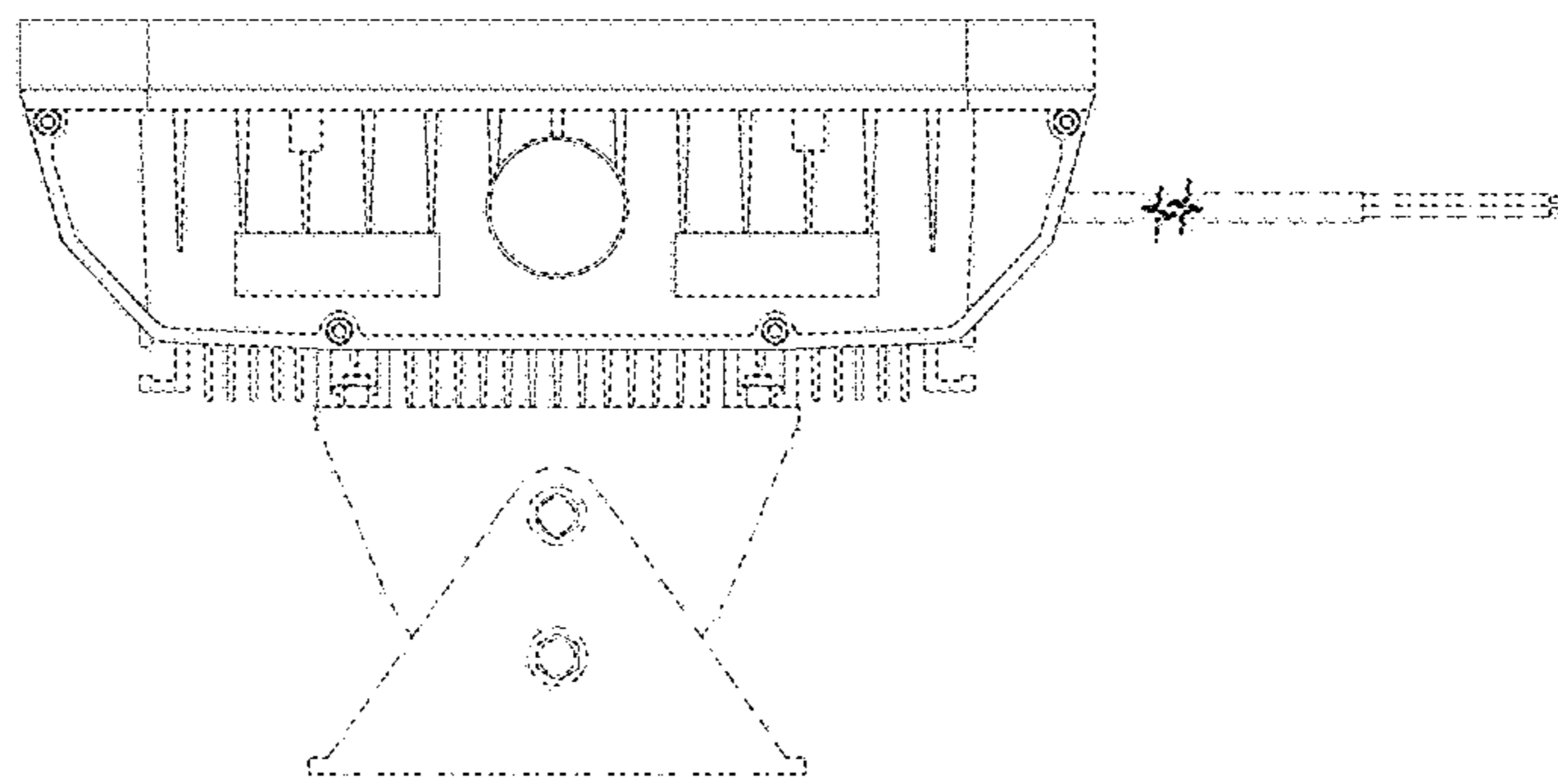


FIG. 14