



US00D803446S

(12) **United States Design Patent**
Green

(10) **Patent No.:** **US D803,446 S**

(45) **Date of Patent:** **** Nov. 21, 2017**

(54) **FLASHLIGHT**

(71) Applicant: **Home Depot Product Authority, LLC,**
Atlanta, GA (US)

(72) Inventor: **Adam Green,** Atlanta, GA (US)

(73) Assignee: **Home Depot Product Authority, LLC,**
Atlanta, GA (US)

(**) Term: **15 Years**

(21) Appl. No.: **29/559,077**

(22) Filed: **Mar. 24, 2016**

Related U.S. Application Data

(62) Division of application No. 29/500,242, filed on Aug. 22, 2014, now Pat. No. Des. 755,428.

(51) **LOC (10) Cl.** **26-02**

(52) **U.S. Cl.**
USPC **D26/49**

(58) **Field of Classification Search**

USPC D26/37-51, 56-60, 67; 362/103-105,
362/184, 194-196, 202-206; D22/117
CPC ... F21L 4/00; F21L 4/005; F21L 4/022; F21L
4/025; F21L 4/027; F21L 7/00; F21L
19/00; F21V 21/084; F21V 21/0085;
F21W 2111/10

See application file for complete search history.

(56) **References Cited**

U.S. PATENT DOCUMENTS

5,586,819 A * 12/1996 Bamber F21L 4/005
362/202
D403,446 S * 12/1998 Lynch D26/37

D455,512 S * 4/2002 MacKool D26/49
D472,006 S * 3/2003 Fritz D26/49
D529,643 S * 10/2006 Kung D26/37
7,258,582 B2 * 8/2007 Maglica F21L 4/005
362/202
D551,366 S * 9/2007 Galli D26/37
D557,836 S * 12/2007 Shiu D26/37
D576,757 S * 9/2008 Hesse D26/49
D579,135 S * 10/2008 Shiu D26/49
D629,544 S * 12/2010 Deguglimo D26/49
D683,877 S * 6/2013 Brands D26/49

* cited by examiner

Primary Examiner — Sandra Morris

(74) *Attorney, Agent, or Firm* — Greenberg Traurig, LLP

(57) **CLAIM**

The ornamental design for a flashlight, as shown and described.

DESCRIPTION

FIG. 1 is a perspective view of a first embodiment of my flashlight;

FIG. 2 is front view thereof;

FIG. 3 is a right side view thereof;

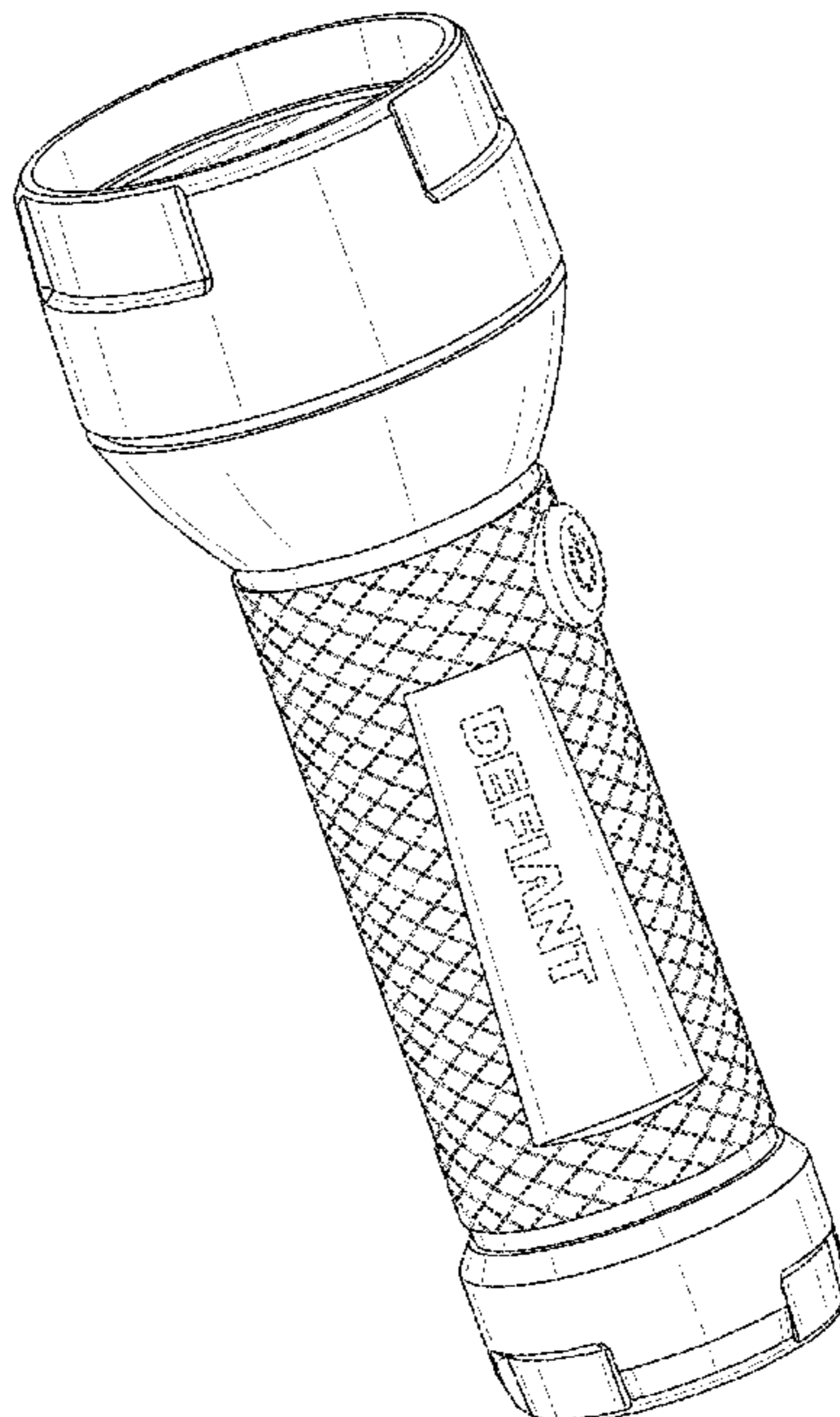
FIG. 4 is a left side view thereof;

FIG. 5 is a back view thereof; and,

FIG. 6 is a top view thereof.

The oblique lines on the lenses of my design (as visible in FIGS. 1 and 6) indicate that they are at least translucent and may be transparent. The dashed lines in the figures form no part of the claimed design. All other surface(s) or portion(s) of my flashlight not shown in the figures or otherwise described in the specification, such as the bottom thereof and such as the locations behind the lenses, form no part of the claimed design.

1 Claim, 6 Drawing Sheets



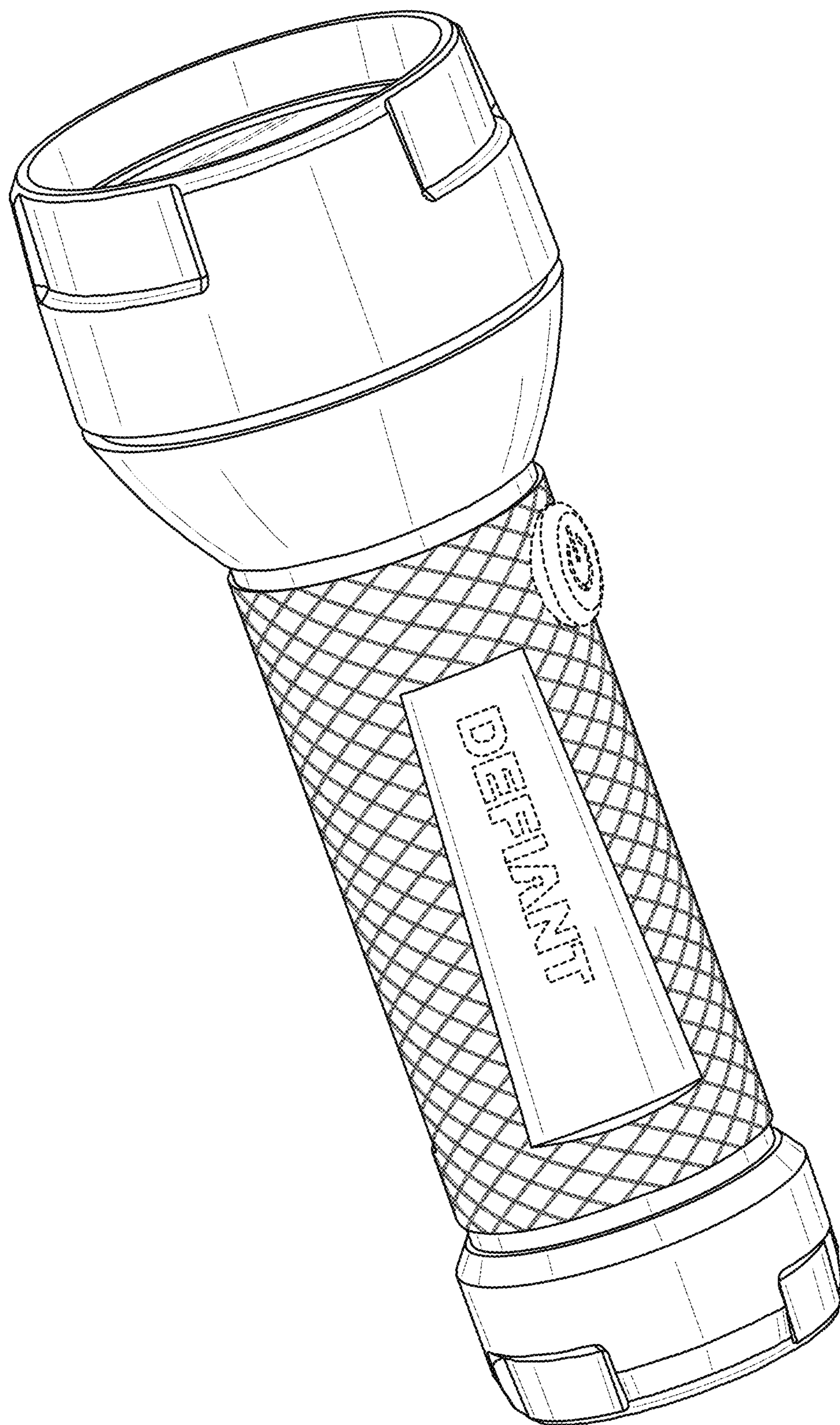


FIG. 1

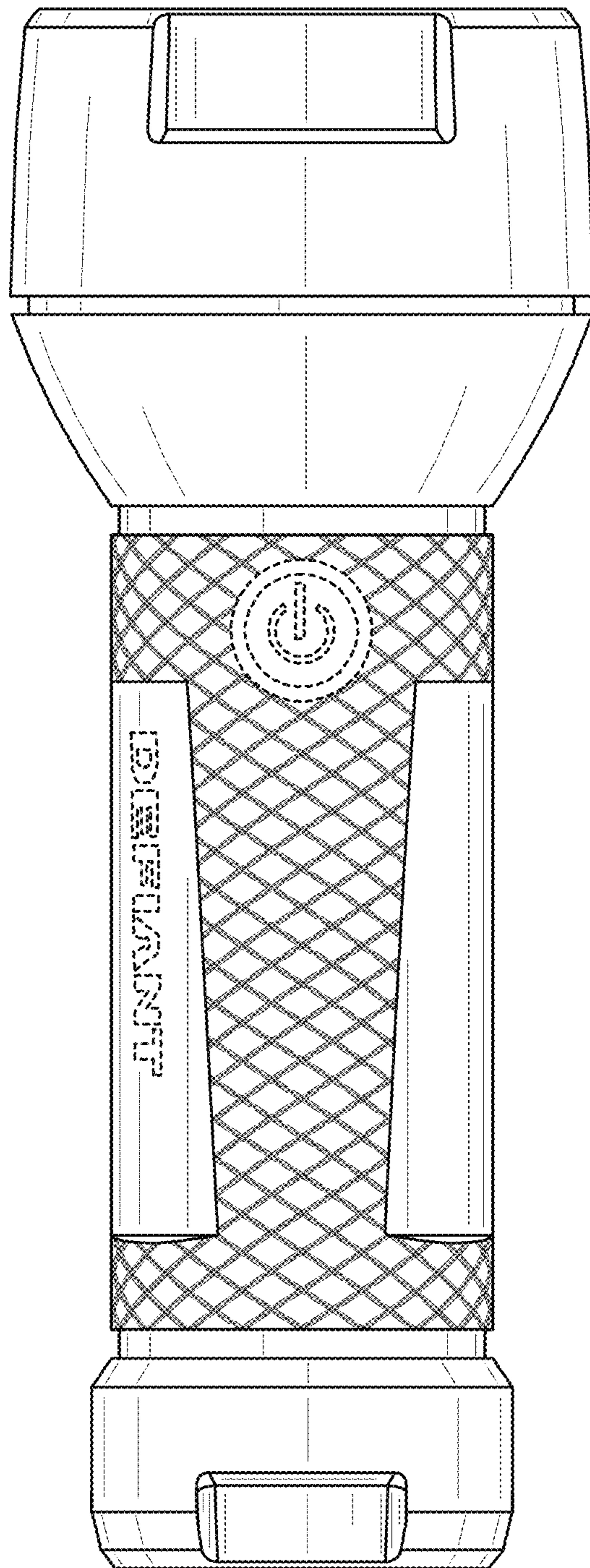


FIG. 2

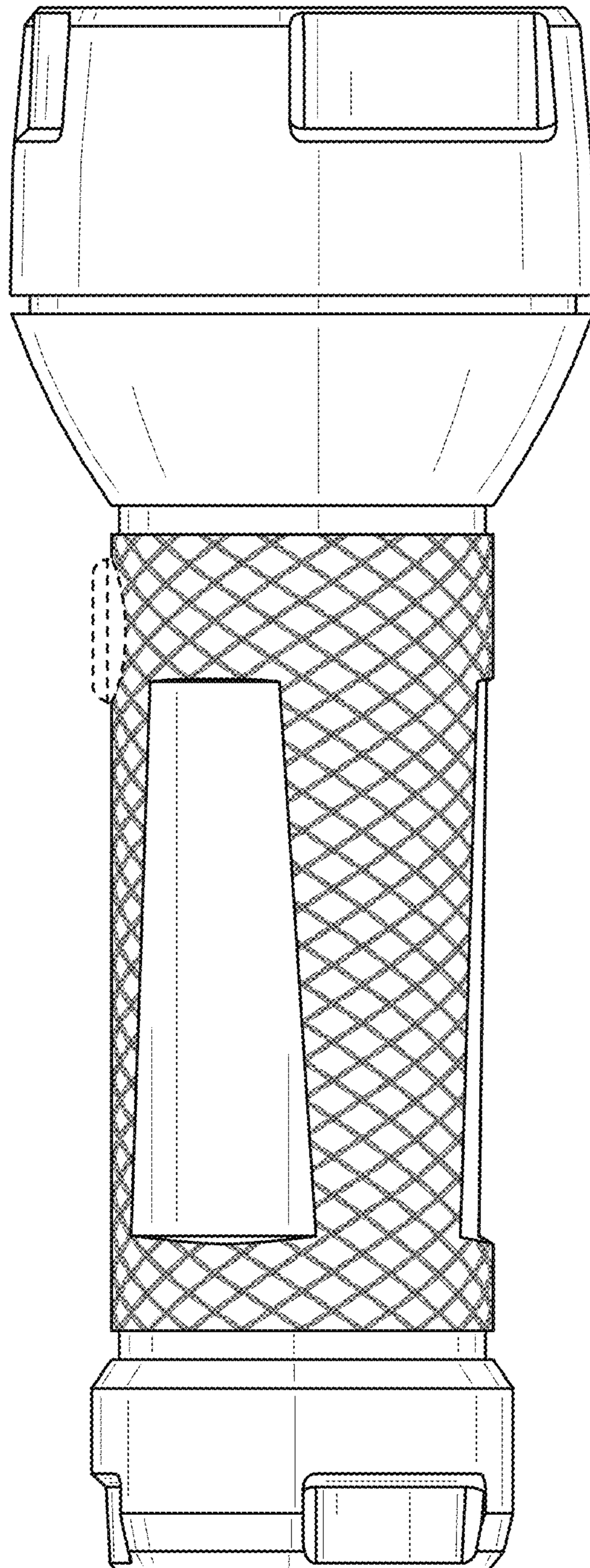


FIG. 3

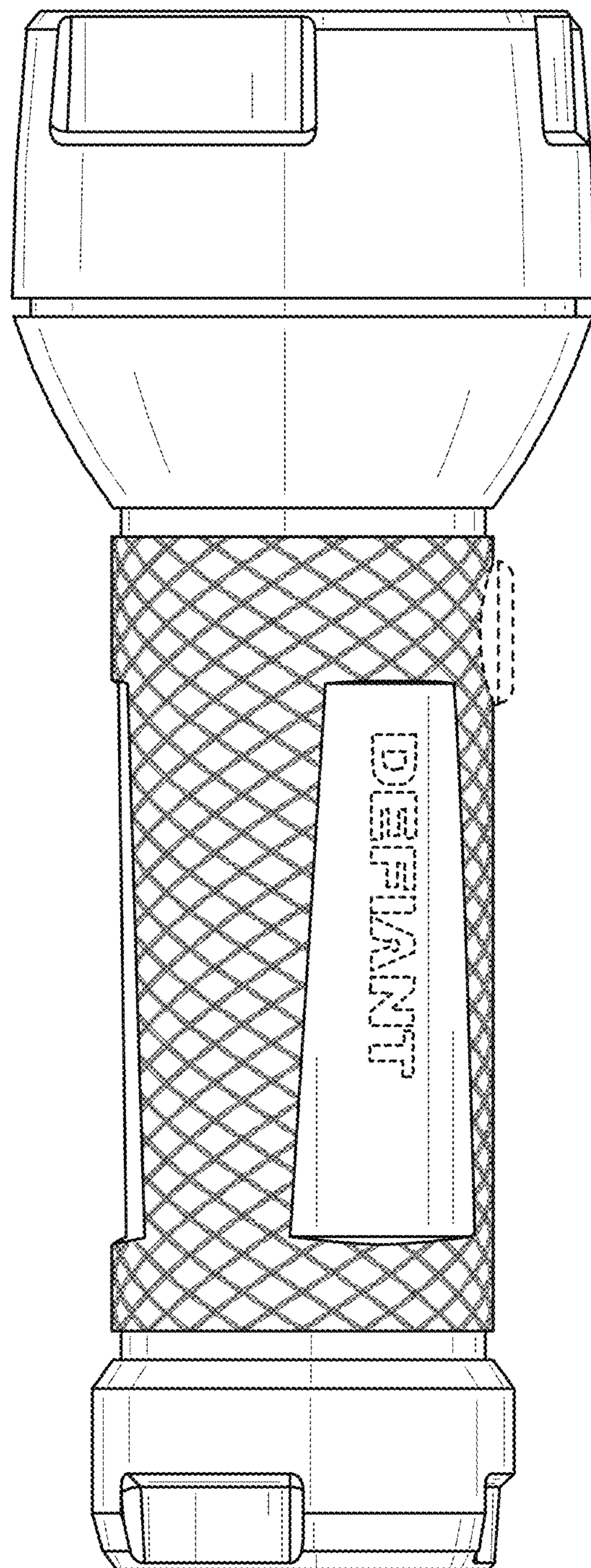


FIG. 4

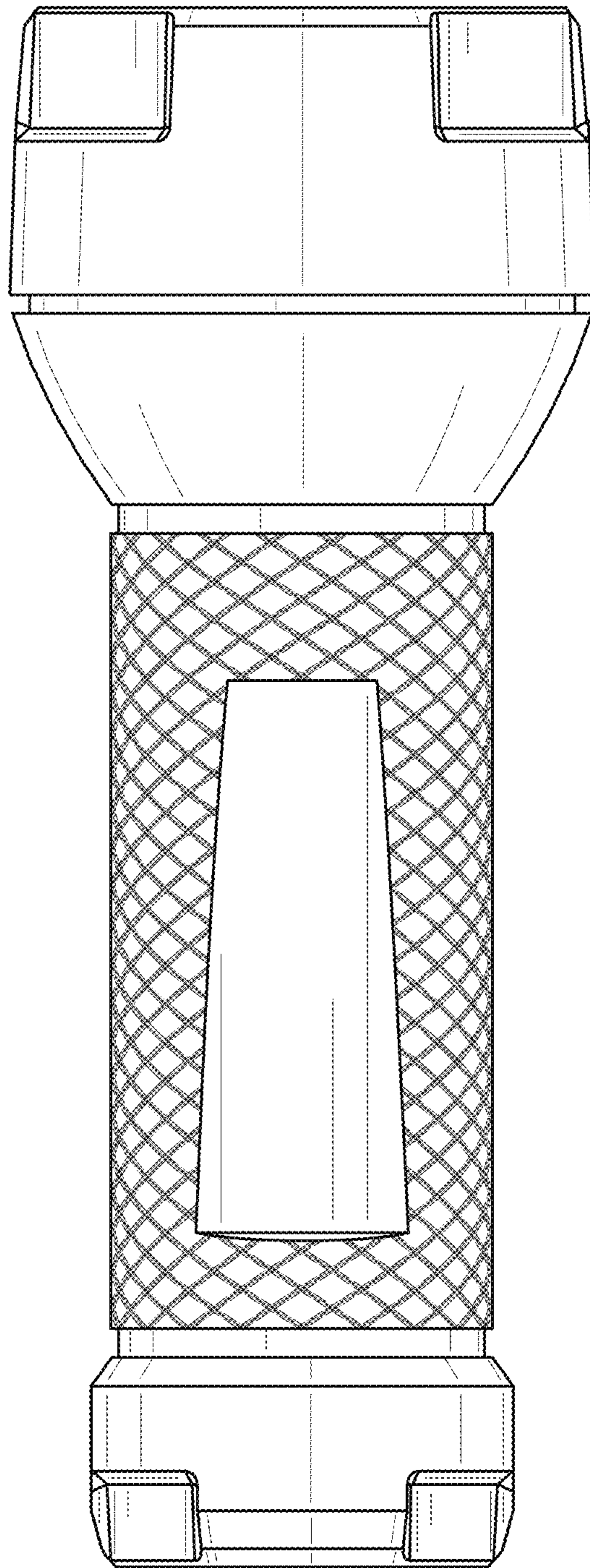


FIG. 5

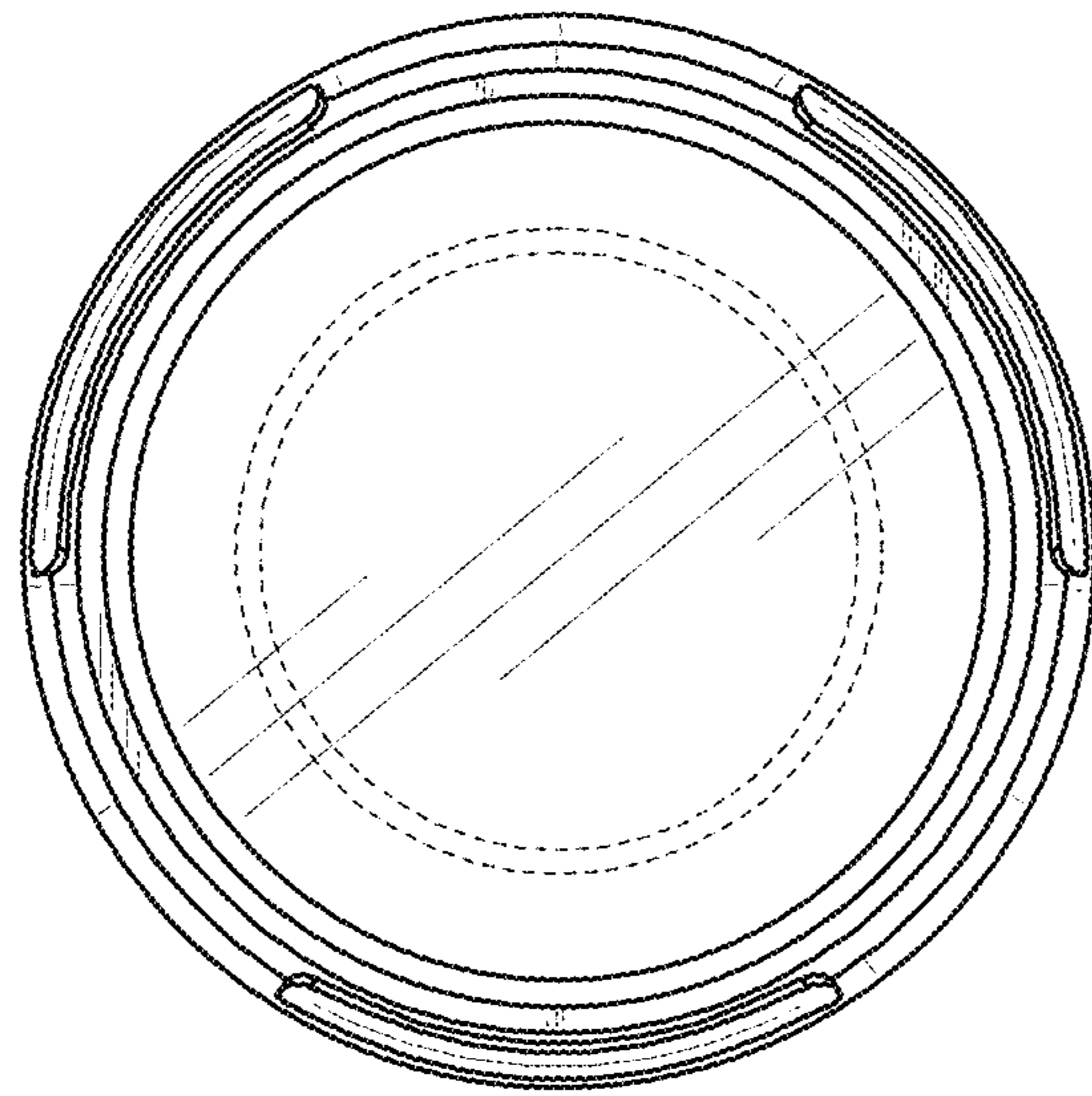


FIG. 6