



US00D803445S

(12) **United States Design Patent**  
**Inskeep**

(10) **Patent No.:** **US D803,445 S**

(45) **Date of Patent:** **\*\* \*Nov. 21, 2017**

(54) **FLASHLIGHT**

(71) Applicant: **Mathew Inskeep**, Highland Beach, FL  
(US)

(72) Inventor: **Mathew Inskeep**, Highland Beach, FL  
(US)

(\*) Notice: This patent is subject to a terminal disclaimer.

(\*\*) Term: **15 Years**

(21) Appl. No.: **29/545,243**

(22) Filed: **Nov. 11, 2015**

(51) **LOC (10) Cl.** ..... **26-02**

(52) **U.S. Cl.**  
USPC ..... **D26/49**

(58) **Field of Classification Search**  
USPC ..... D26/37, 38, 40, 46, 49, 51; 362/157,  
362/158, 183, 184, 194–196, 200–208,  
362/253

CPC ..... F21L 2003/00; F21L 4/00; F21L 4/005;  
F21L 4/02; F21L 4/025; F21L 4/027;  
F21L 4/04; F21L 4/08; F21L 2005/00;  
F21L 7/00; F21L 11/00; F21L 13/00;  
F21L 13/04; F21L 13/08; F21L 14/02;  
F21L 17/00; F21L 19/00

See application file for complete search history.

(56) **References Cited**

**U.S. PATENT DOCUMENTS**

D366,338 S *	1/1996	Garrity	.....	D26/49
D502,277 S *	2/2005	Chen	.....	D26/49
D564,116 S *	3/2008	Linardos	.....	D26/49
D671,249 S *	11/2012	Sheikh	.....	D26/38
D674,943 S *	1/2013	Sheikh	.....	D22/117

D688,402 S *	8/2013	Roshak	.....	D26/49
D698,961 S *	2/2014	Dalton	.....	D26/49
D709,231 S *	7/2014	Nguyen	.....	D26/49
D709,232 S *	7/2014	Inskeep	.....	D26/49
D709,233 S *	7/2014	Inskeep	.....	D26/49
D709,234 S *	7/2014	Inskeep	.....	D26/49
D716,984 S *	11/2014	Inskeep	.....	D26/49
D719,694 S *	12/2014	Nawaz	.....	D22/117
D724,247 S *	3/2015	Chouprinov	.....	D22/117
D745,200 S *	12/2015	Inskeep	.....	D26/49
D745,732 S *	12/2015	Inskeep	.....	D26/49
D745,987 S *	12/2015	Nawaz	.....	D22/117
D747,020 S *	1/2016	Chouprinov	.....	D22/117
D751,742 S *	3/2016	Windom	.....	D26/49

\* cited by examiner

*Primary Examiner* — Lakiya Rogers  
*Assistant Examiner* — Carissa C Fitts

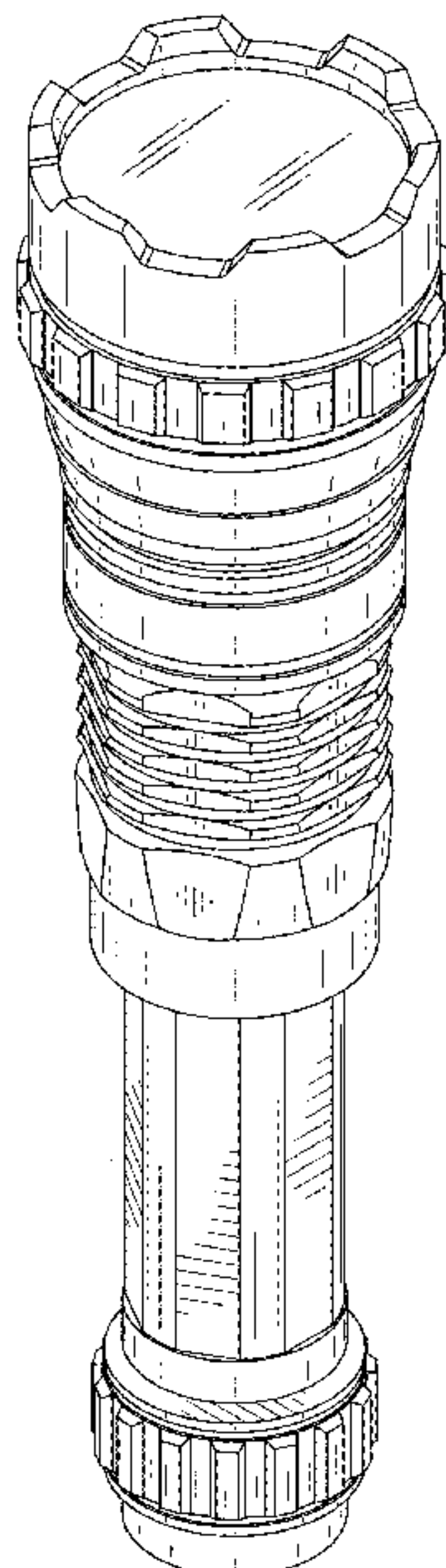
(57) **CLAIM**

I claim the ornamental design for a flashlight, as shown and described.

**DESCRIPTION**

FIG. 1 is a top perspective view of the flashlight showing my new design.  
FIG. 2 is a bottom perspective view thereof.  
FIG. 3 is a top view thereof.  
FIG. 4 is a bottom view thereof.  
FIG. 5 is a left side view thereof with charging port exposed.  
FIG. 6 is a right side view thereof.  
FIG. 7 is a front view thereof with indicator light exposed.  
FIG. 8 is a back view thereof with charging port exposed.  
FIG. 9 is a perspective view thereof with charging port exposed; and,  
FIG. 10 is a bottom perspective view thereof with indicator light exposed.

**1 Claim, 5 Drawing Sheets**



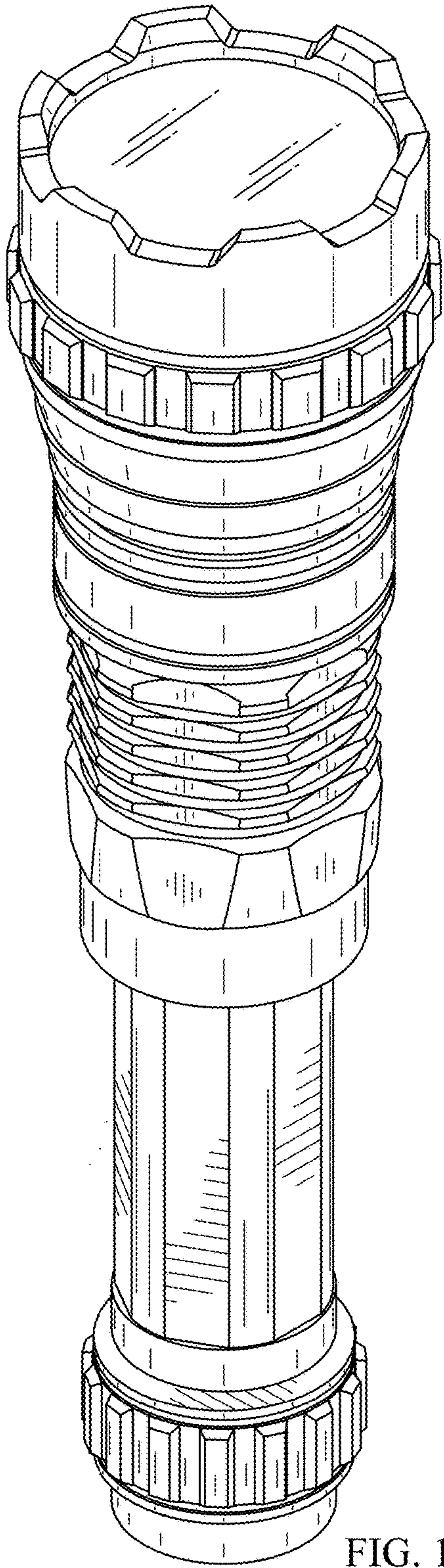


FIG. 1

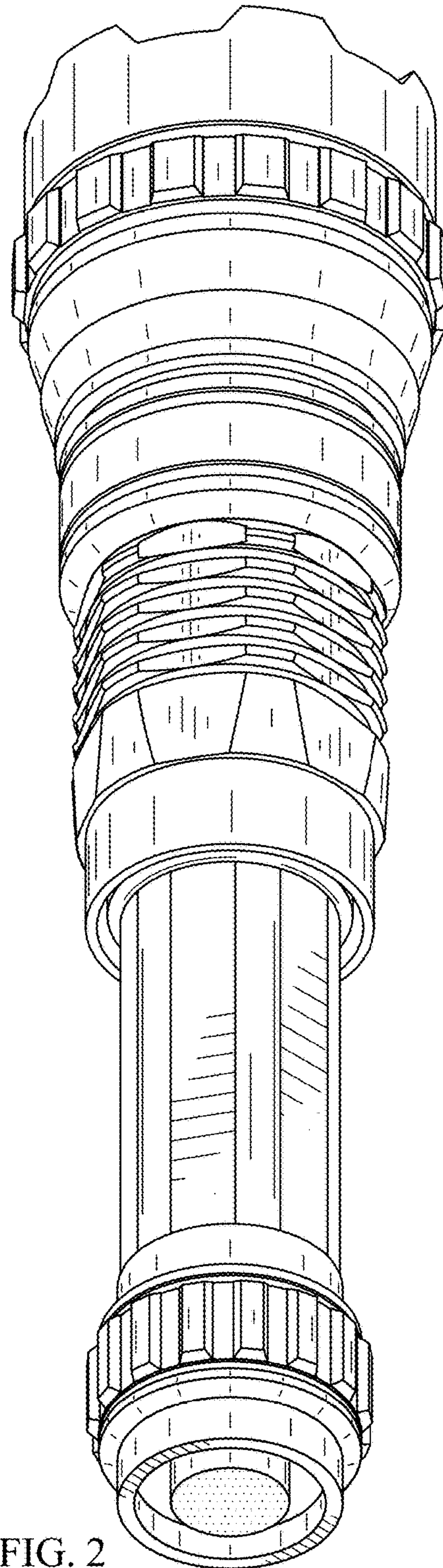


FIG. 2



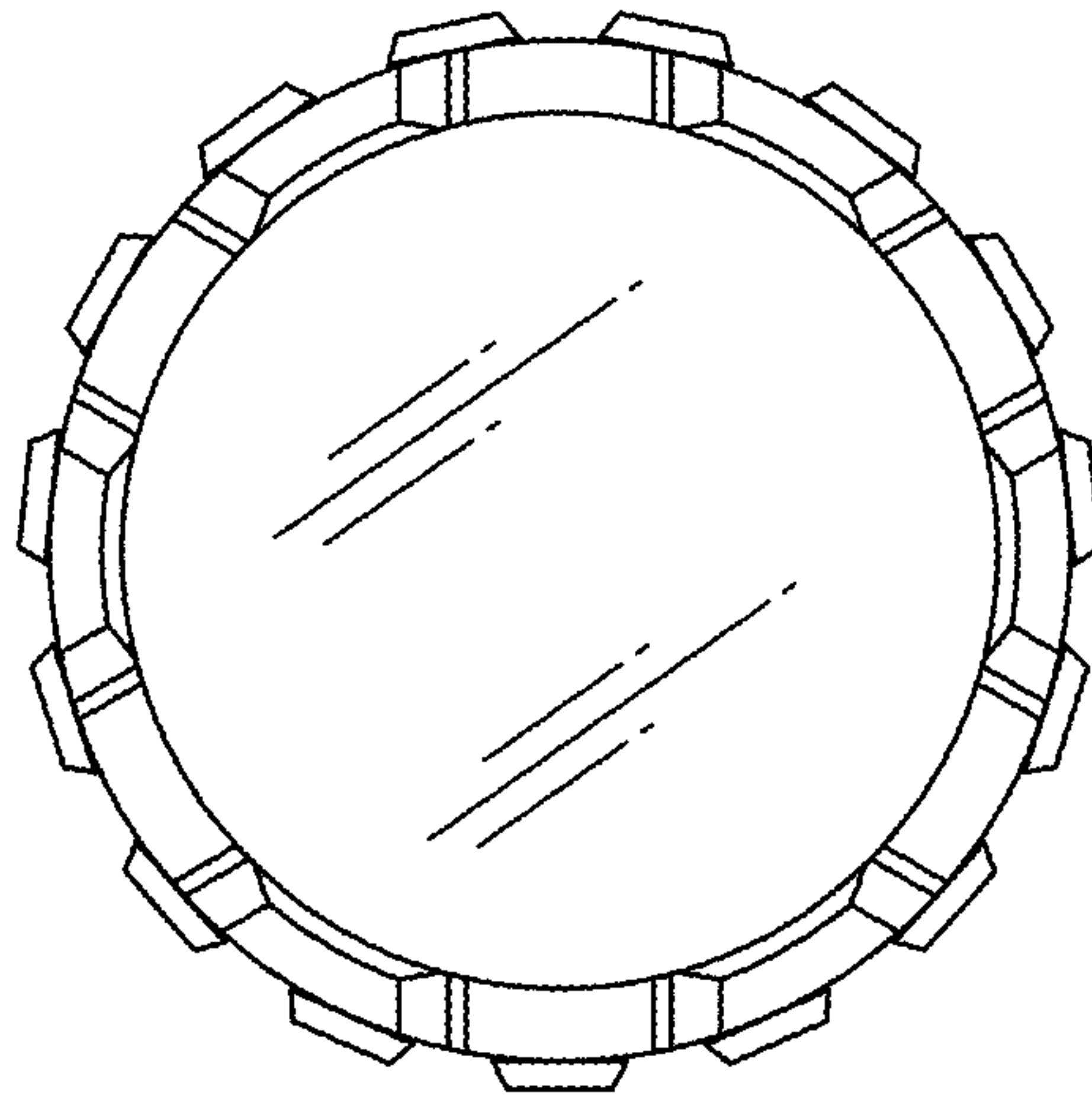


FIG. 3

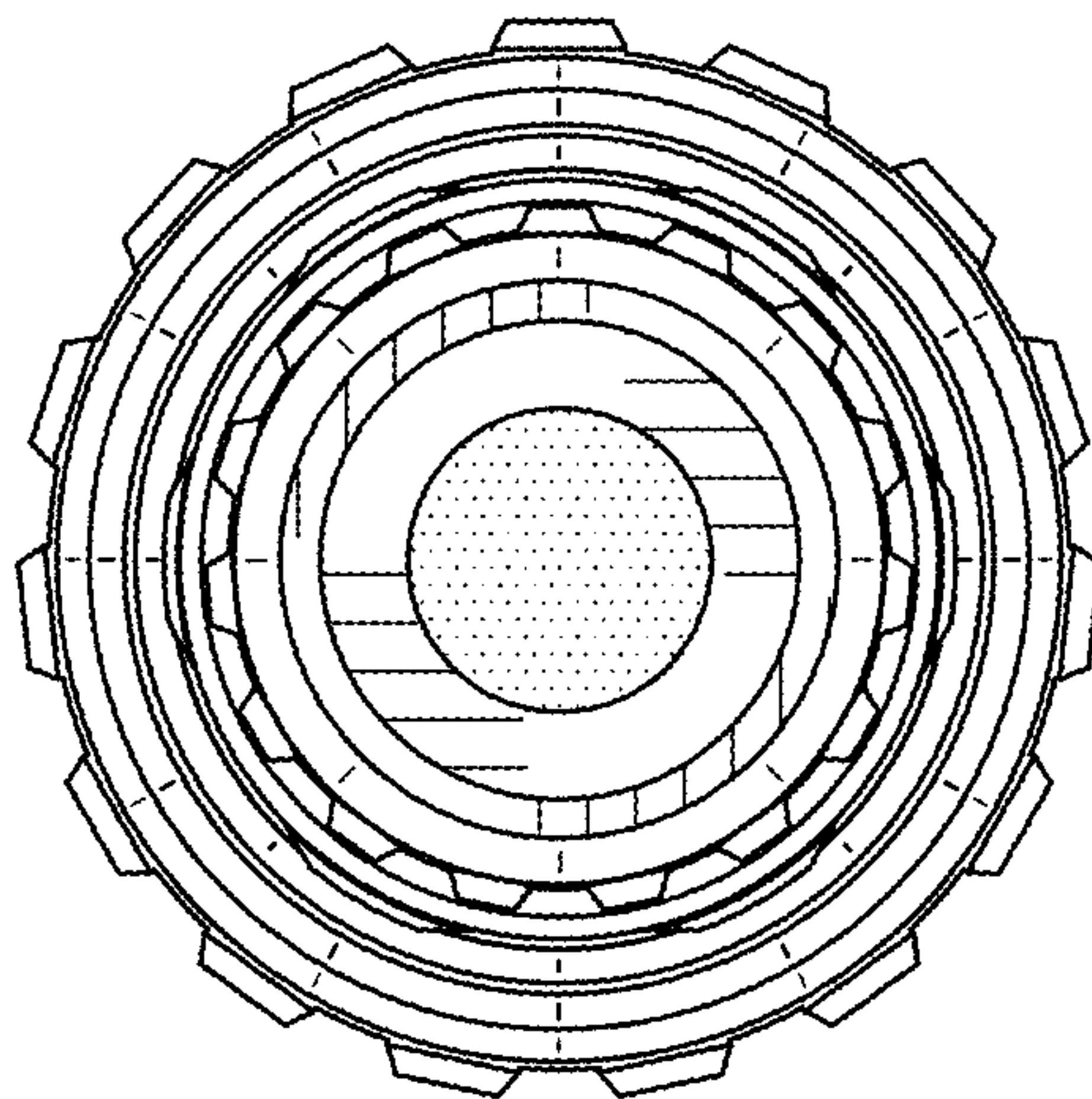


FIG. 4



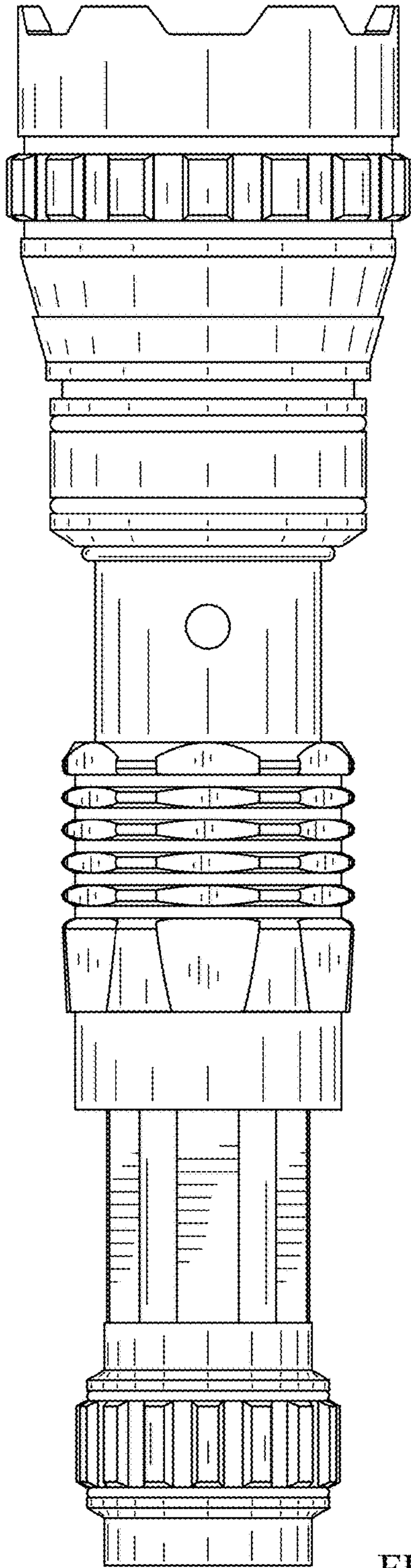


FIG. 7

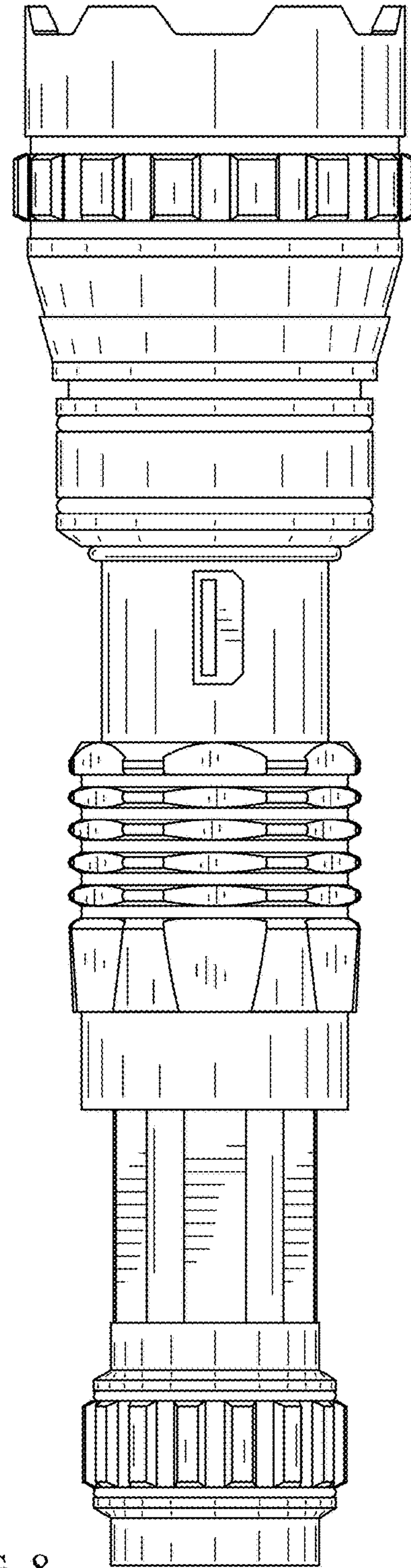


FIG. 8



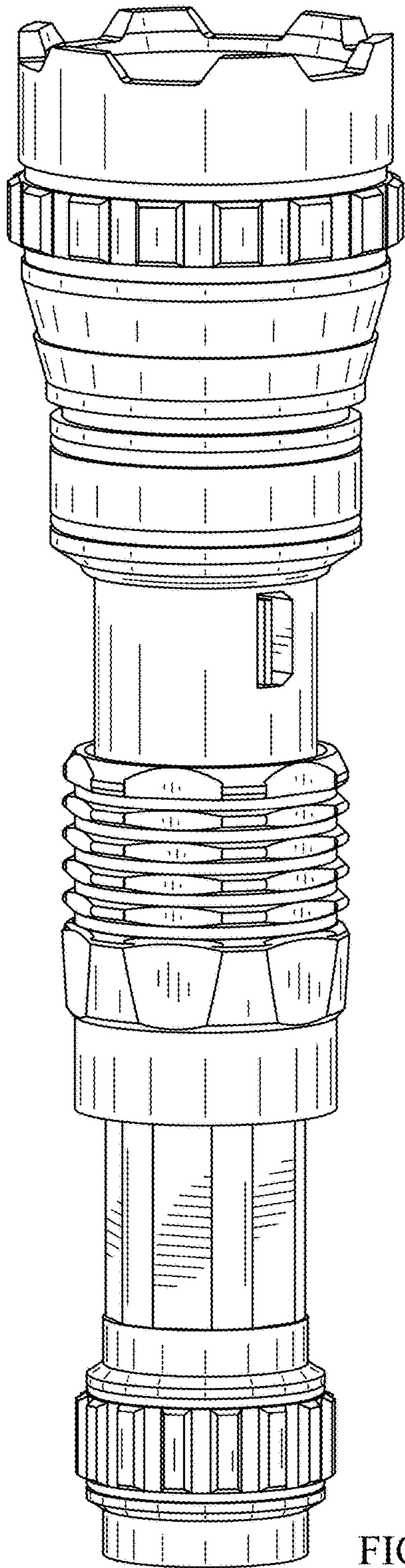


FIG. 9

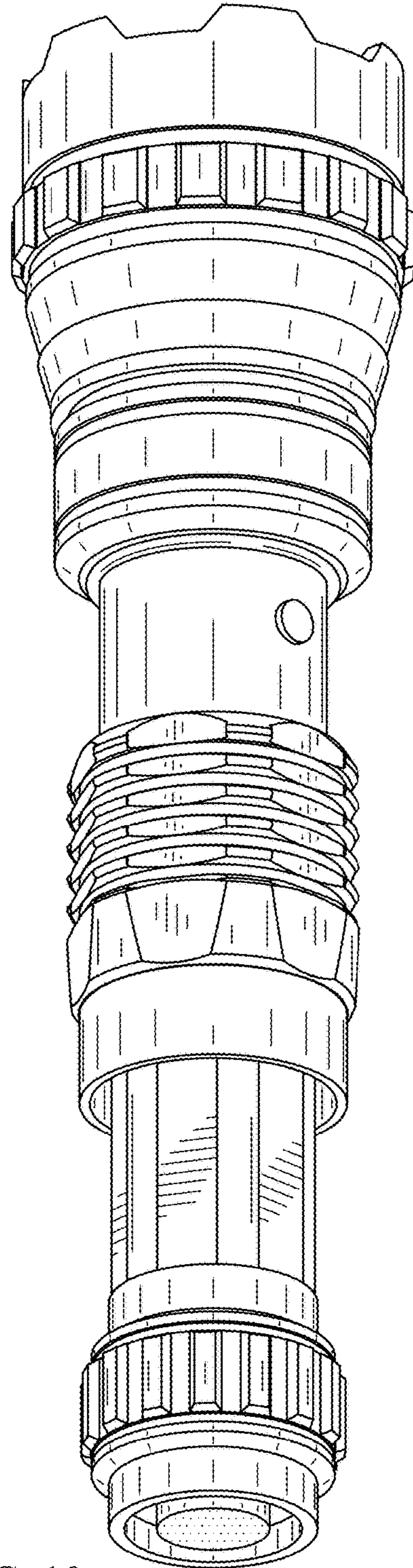


FIG. 10