



US00D803444S

(12) **United States Design Patent** (10) **Patent No.:** **US D803,444 S**
Green et al. (45) **Date of Patent:** **** Nov. 21, 2017**

(54) **FLASHLIGHT**

(71) Applicant: **HOME DEPOT PRODUCT AUTHORITY, LLC**, Atlanta, GA (US)

(72) Inventors: **Adam R. Green**, Marietta, GA (US);
Darryl W. Tieken, Woodstock, GA (US)

(73) Assignee: **Home Depot Product Authority, LLC**, Atlanta, GA (US)

(**) Term: **15 Years**

(21) Appl. No.: **29/544,146**

(22) Filed: **Oct. 30, 2015**

(51) **LOC (10) Cl.** **26-02**

(52) **U.S. Cl.**
USPC **D26/49**

(58) **Field of Classification Search**
USPC D26/37, 38, 44, 42, 43, 46, 48, 49, 51
(Continued)

(56) **References Cited**

U.S. PATENT DOCUMENTS

D197,082 S * 12/1963 Oakley D26/49
D481,147 S * 10/2003 Yang D26/49
(Continued)

OTHER PUBLICATIONS

U.S. Appl. No. 29/500,242, filed Aug. 2014, Green.
(Continued)

Primary Examiner — Lakiya Rogers

Assistant Examiner — Carissa C Fitts

(74) *Attorney, Agent, or Firm* — Greenberg Traurig, LLP

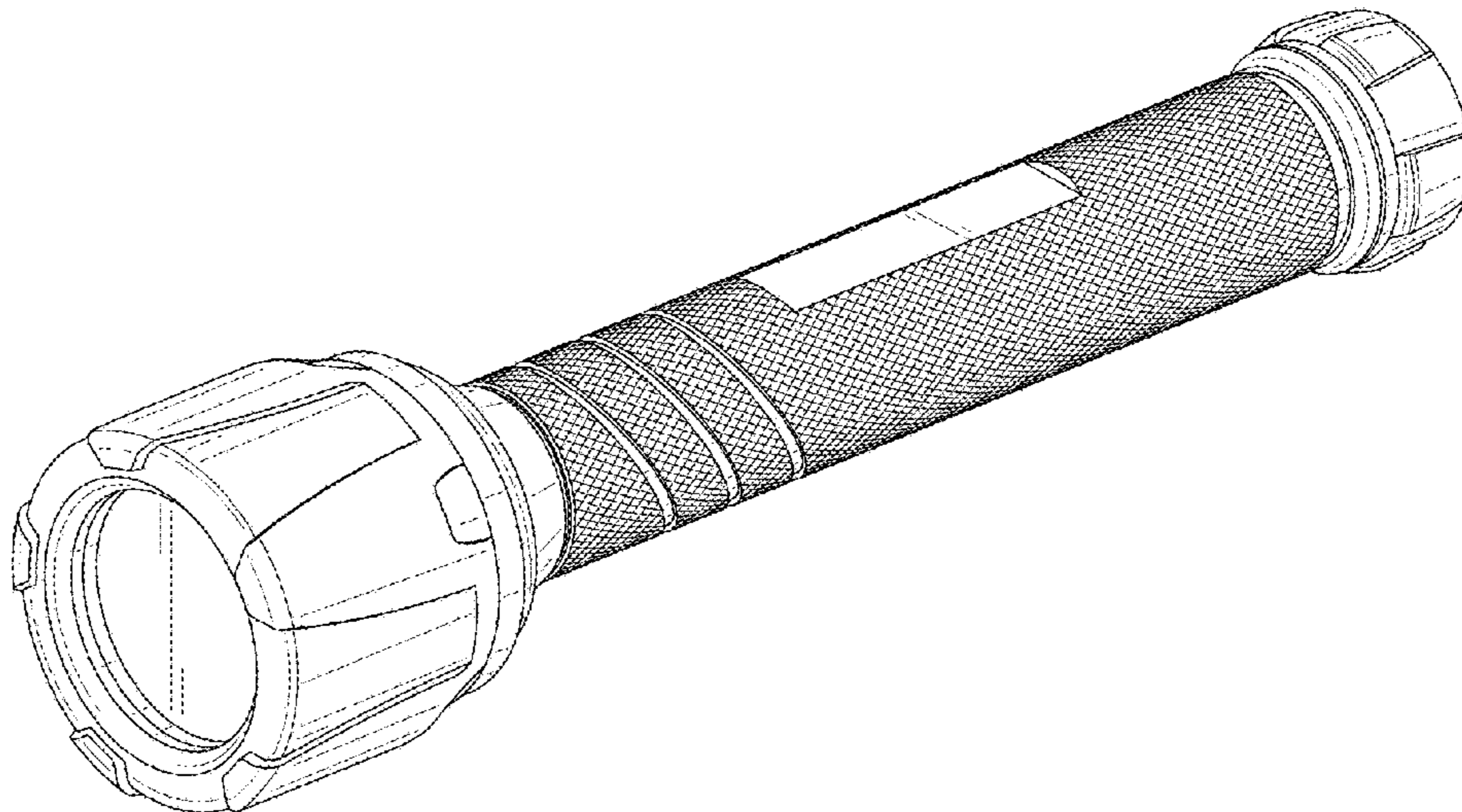
(57) **CLAIM**

The ornamental design for a flashlight, as shown and described.

DESCRIPTION

FIG. 1 is a perspective view of a first embodiment of our design;
FIG. 2 is a front view thereof;
FIG. 3 is a back view thereof;
FIG. 4 is a left side view thereof;
FIG. 5 is a right side view thereof;
FIG. 6 is a top view thereof;
FIG. 7 is a perspective view of a second embodiment of our design;
FIG. 8 is a front view thereof;
FIG. 9 is a back view thereof;
FIG. 10 is a left side view thereof;
FIG. 11 is a right side view thereof;
FIG. 12 is a top view thereof;
FIG. 13 is a perspective view of a third embodiment of our design;
FIG. 14 is a front view thereof;
FIG. 15 is a back view thereof;
FIG. 16 is a left side view thereof;
FIG. 17 is a right side view thereof;
FIG. 18 is a top view thereof;
FIG. 19 is a perspective view of a fourth embodiment of our design;
FIG. 20 is a front view thereof;
FIG. 21 is a back view thereof;
FIG. 22 is a left side view thereof;
FIG. 23 is a right side view thereof;
FIG. 24 is a top view thereof;
FIG. 25 is a perspective view of a fifth embodiment of our design;
FIG. 26 is a front view thereof;
FIG. 27 is a back view thereof;
FIG. 28 is a left side view thereof;
FIG. 29 is a right side view thereof; and,
FIG. 30 is a top view thereof.
The dashed lines in the figures form no part of the claimed design.

1 Claim, 20 Drawing Sheets



(58) **Field of Classification Search**

CPC F21L 2003/00; F21L 4/00; F21L 4/005;
 F21L 4/02; F21L 4/025; F21L 4/027;
 F21L 4/04; F21L 4/08; F21L 2005/00;
 F21L 7/00; F21L 11/00; F21L 13/00;
 F21L 13/04; F21L 13/08; F21L 14/02;
 F21L 17/00; F21L 19/00

See application file for complete search history.

D640,400 S	6/2011	Huang	
D645,592 S	9/2011	Brands	
D656,261 S	3/2012	Lee	
D659,270 S	5/2012	Nguyen	
D659,272 S	5/2012	Nguyen	
D671,249 S	11/2012	Sheikh	
D689,225 S	* 9/2013	Yeh	D26/46
D689,226 S	* 9/2013	Yeh	D26/46
D709,231 S	* 7/2014	Nguyen	D26/49
D710,526 S	8/2014	Lee	
D734,519 S	* 7/2015	Shen	D26/49
D745,987 S	* 12/2015	Nawaz	D22/117
D748,837 S	* 2/2016	Cacciabeve	D26/49
D750,306 S	* 2/2016	Windom	D26/49
D769,495 S	* 10/2016	Bertken	D26/49
D769,496 S	* 10/2016	Inskeep	D26/49

(56) **References Cited**

U.S. PATENT DOCUMENTS

D481,482 S	*	10/2003	Mah	D26/37
D486,937 S	*	2/2004	Shiu	D26/49
D488,877 S	*	4/2004	Shin	D26/49
D495,442 S	*	8/2004	Packard	D26/37
D512,525 S	*	12/2005	Yang	D26/49
D527,476 S		8/2006	Craft	
D565,769 S		4/2008	Shiu	
D566,314 S	*	4/2008	Jen	D26/49
D574,982 S		8/2008	Lau	
D574,984 S		8/2008	Hesse	
D579,135 S		10/2008	Shiu	
D579,594 S		10/2008	Hesse	
D589,635 S	*	3/2009	Rugendyke	D26/49
D604,437 S		11/2009	Yang	
D608,033 S		1/2010	Hesse	
D608,034 S		1/2010	Hesse	
D617,022 S		6/2010	Kung	
D629,544 S		12/2010	Deguglimo	

OTHER PUBLICATIONS

U.S. Appl. No. 29/500,257, filed Aug. 2014, Green.
 U.S. Appl. No. 29/544,154, filed Oct. 2015, Green et al.
 U.S. Appl. No. 29/544,142, filed Oct. 2015, Green et al.
 U.S. Appl. No. 29/544,147, filed Oct. 2015, Green et al.
 Images of RAYOVAC Indestructible 2 AA Flashlight, DIY2AA-B,
 publicly available prior to Aug. 22, 2014.
 Office Action received in Chinese Counterpart Application
 201630153654.8 dated Aug. 12, 2016 (3 pages).
 Canadian office action received in related application No. 168276,
 dated Feb. 14, 2017, one page.

* cited by examiner

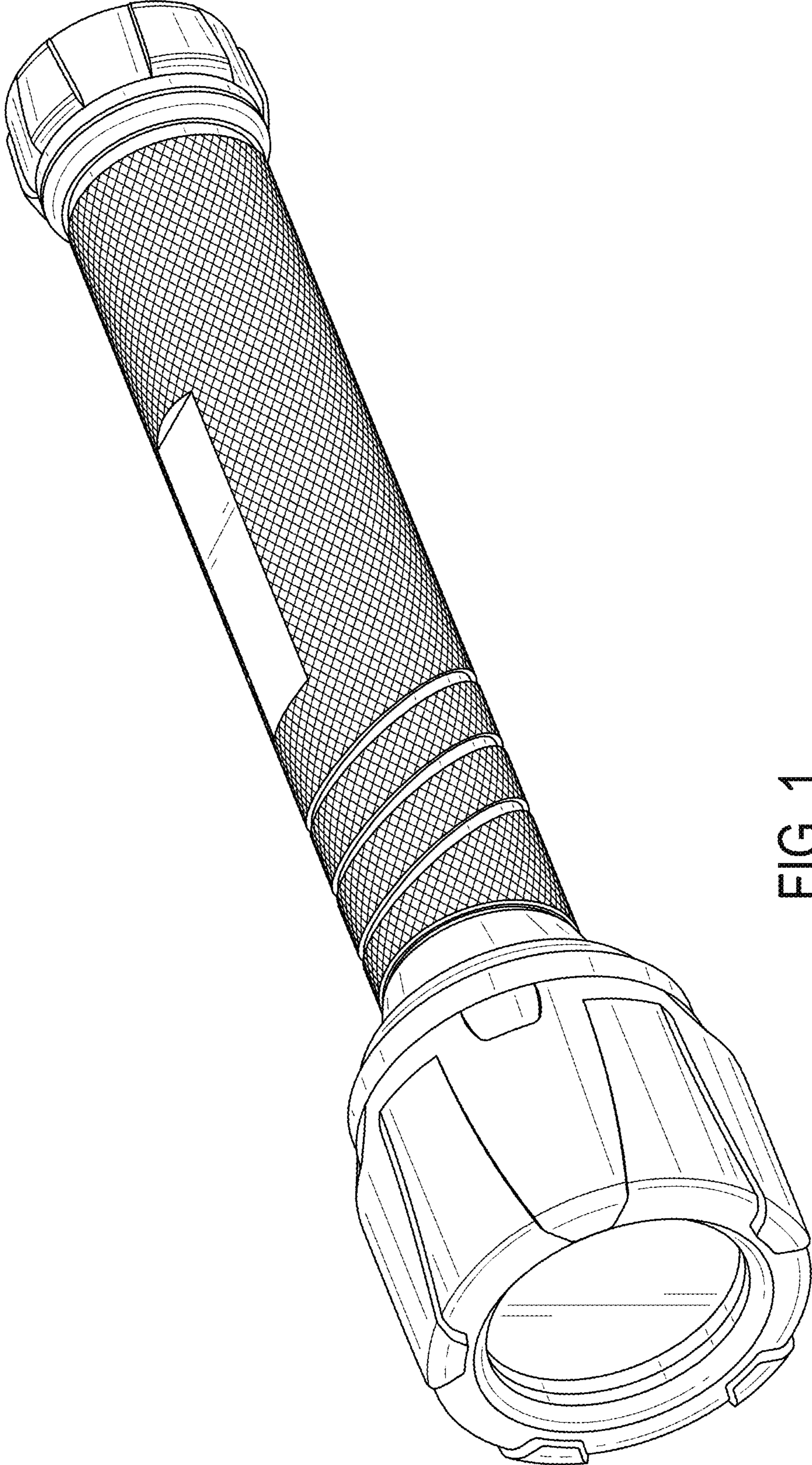


FIG. 1

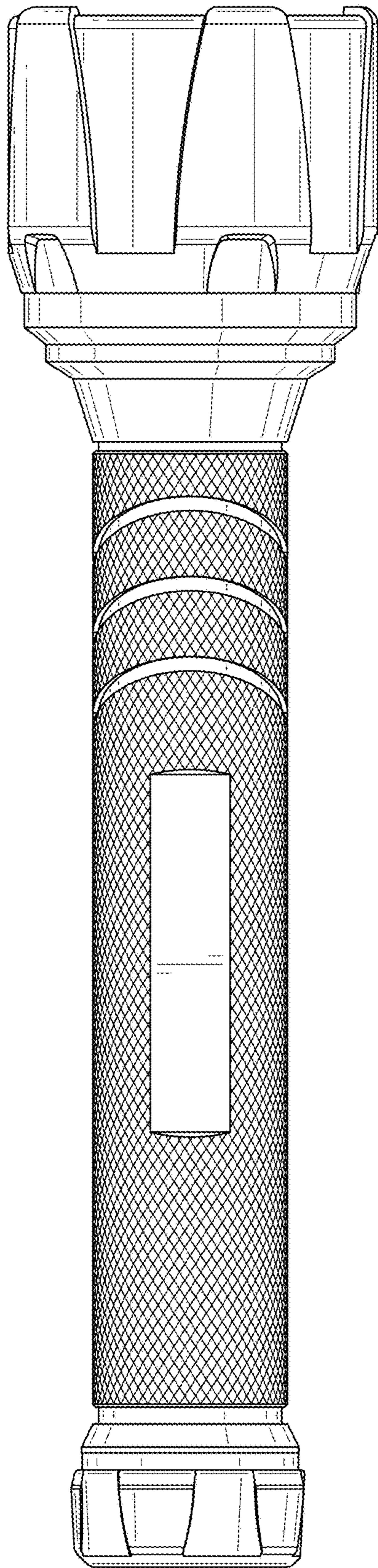


FIG. 2

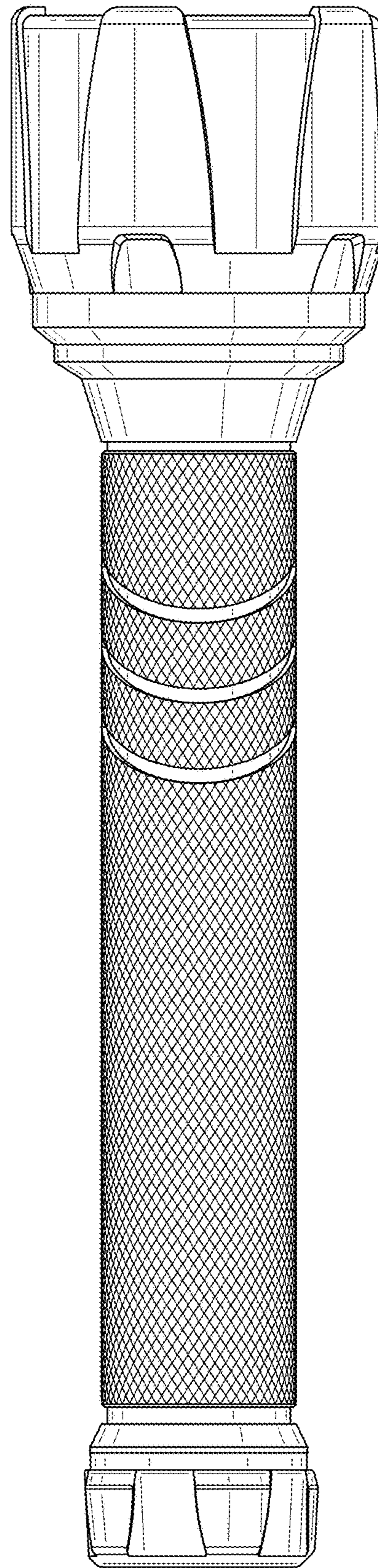


FIG. 3

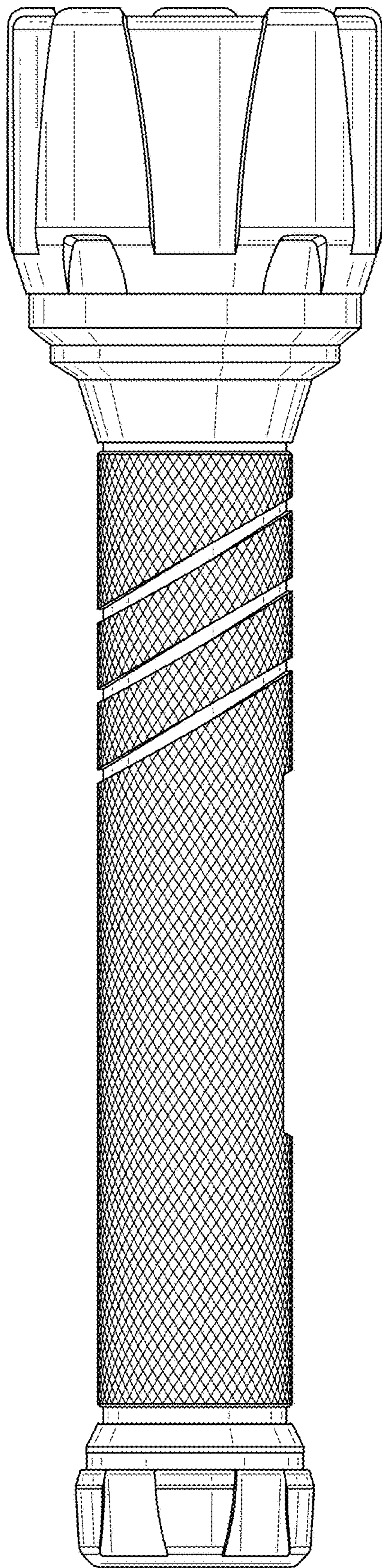


FIG. 4

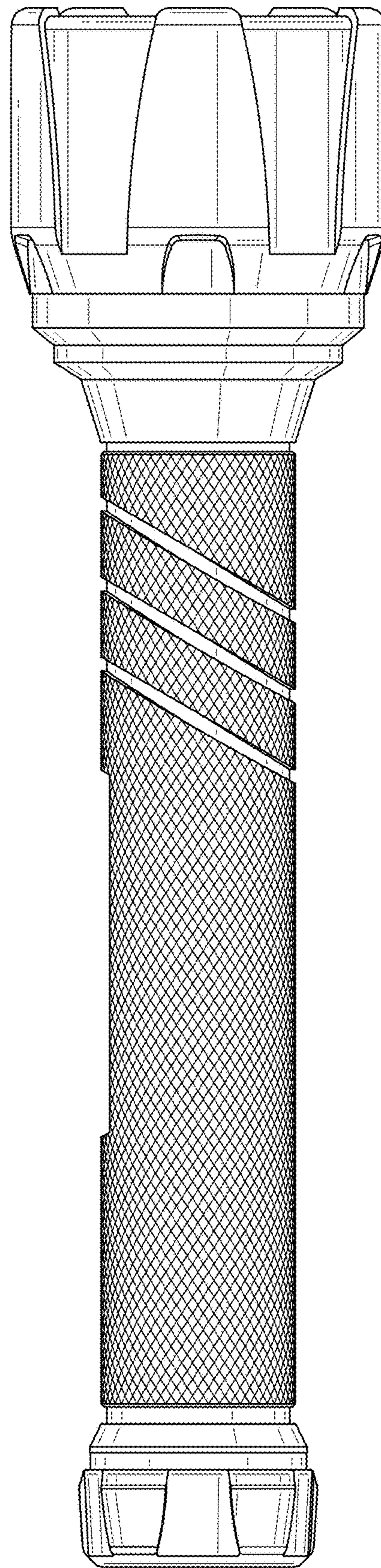


FIG. 5

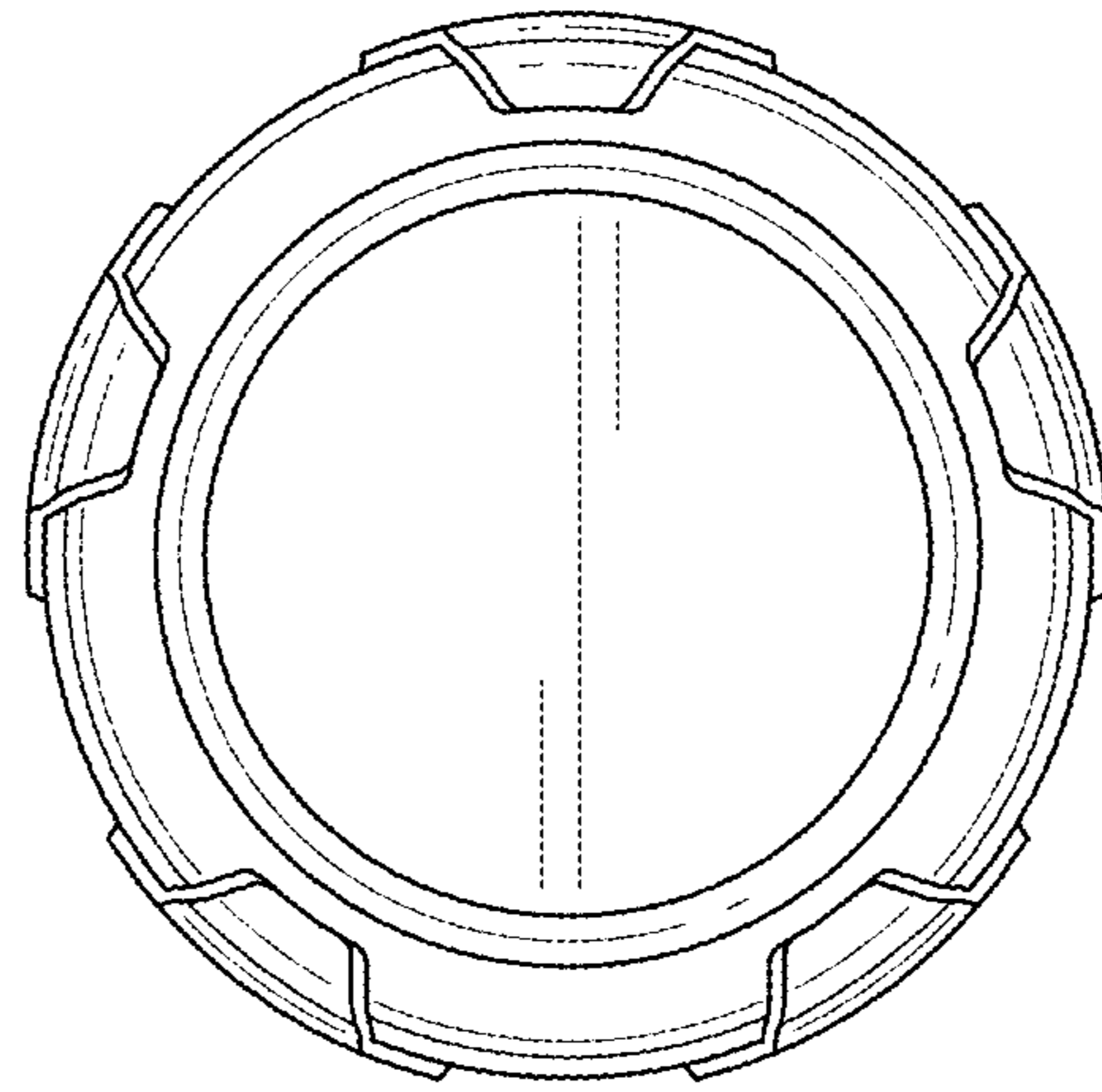


FIG. 6

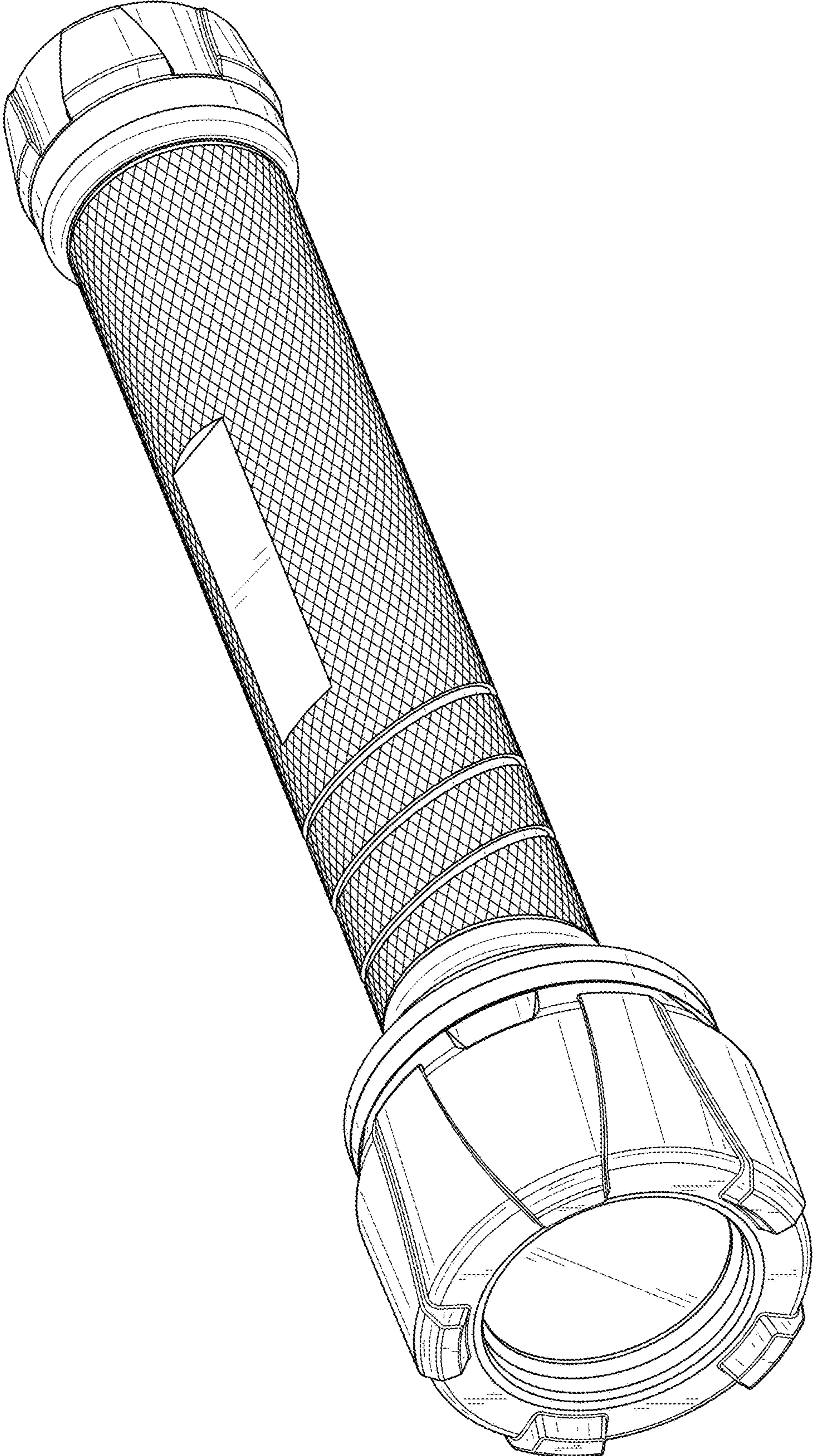


FIG. 7

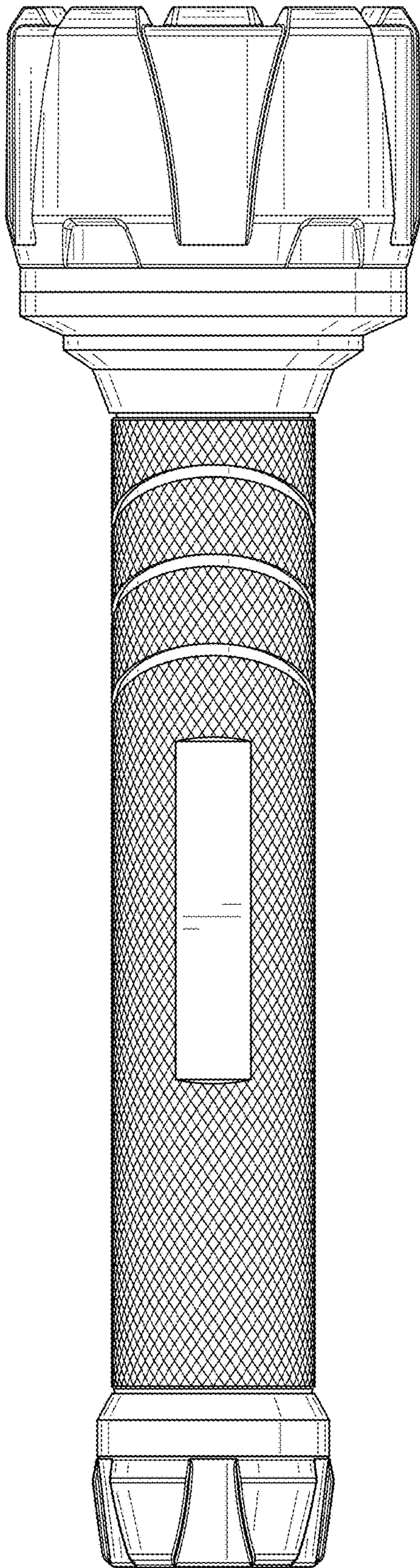


FIG. 8

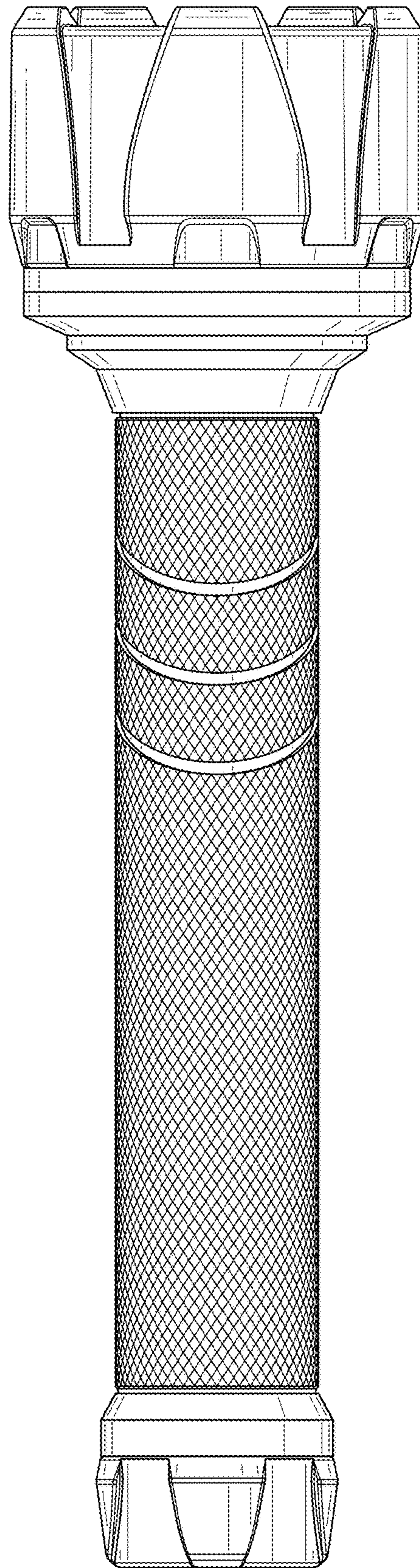


FIG. 9

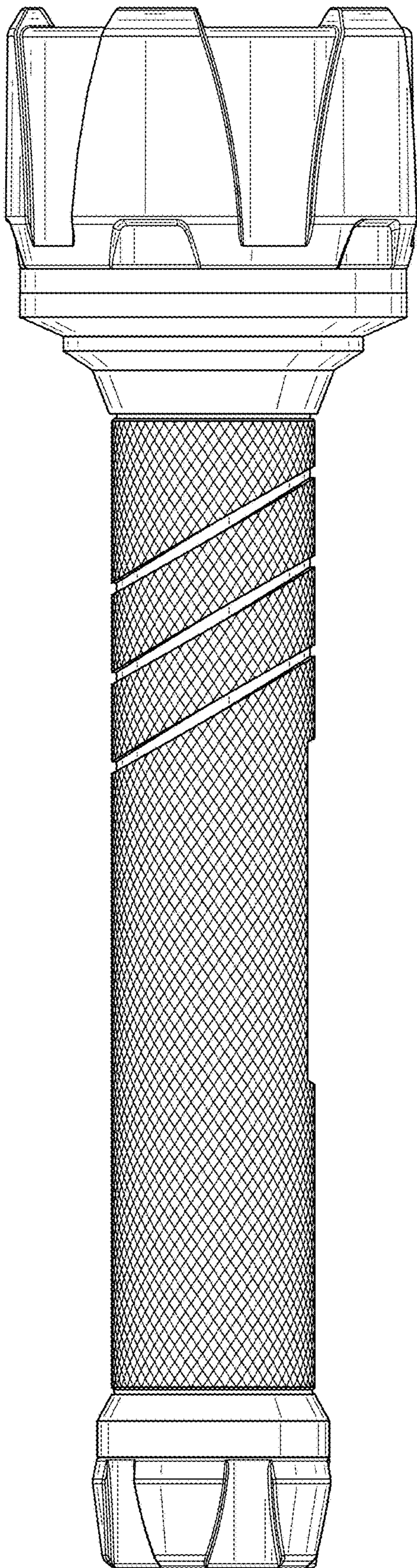


FIG. 10

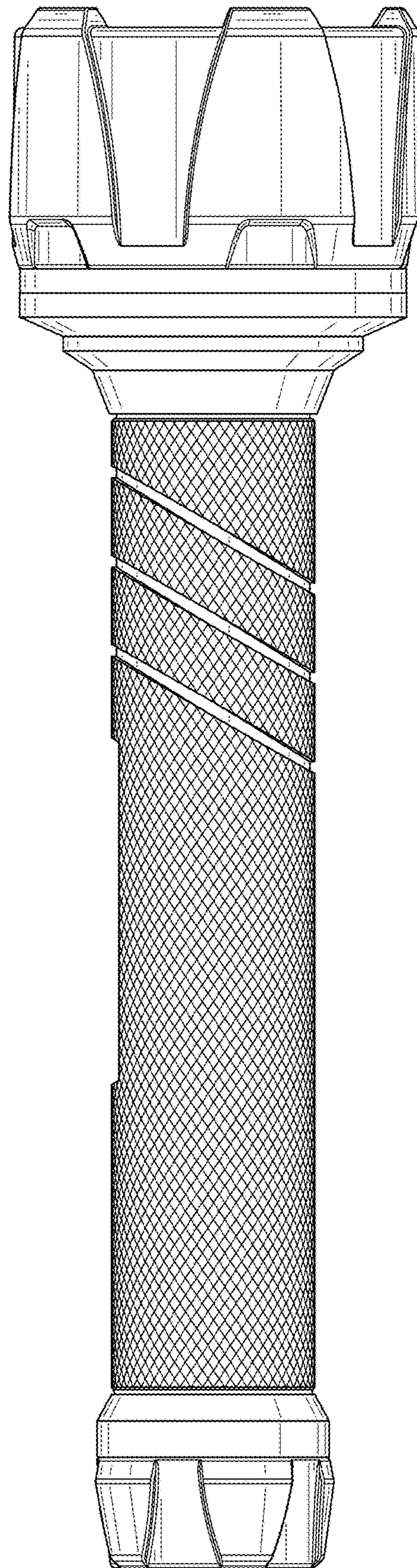


FIG. 11

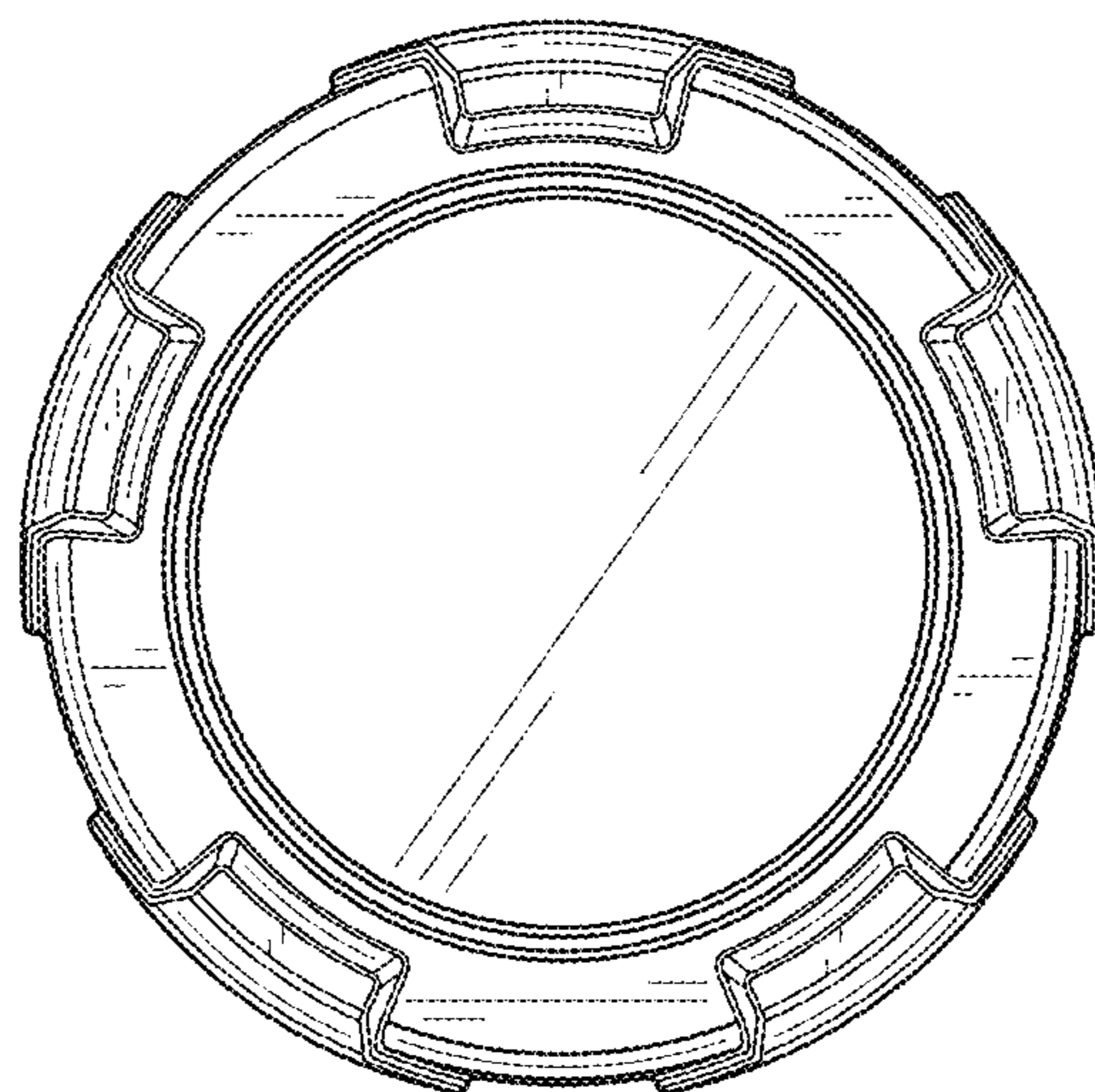


FIG. 12

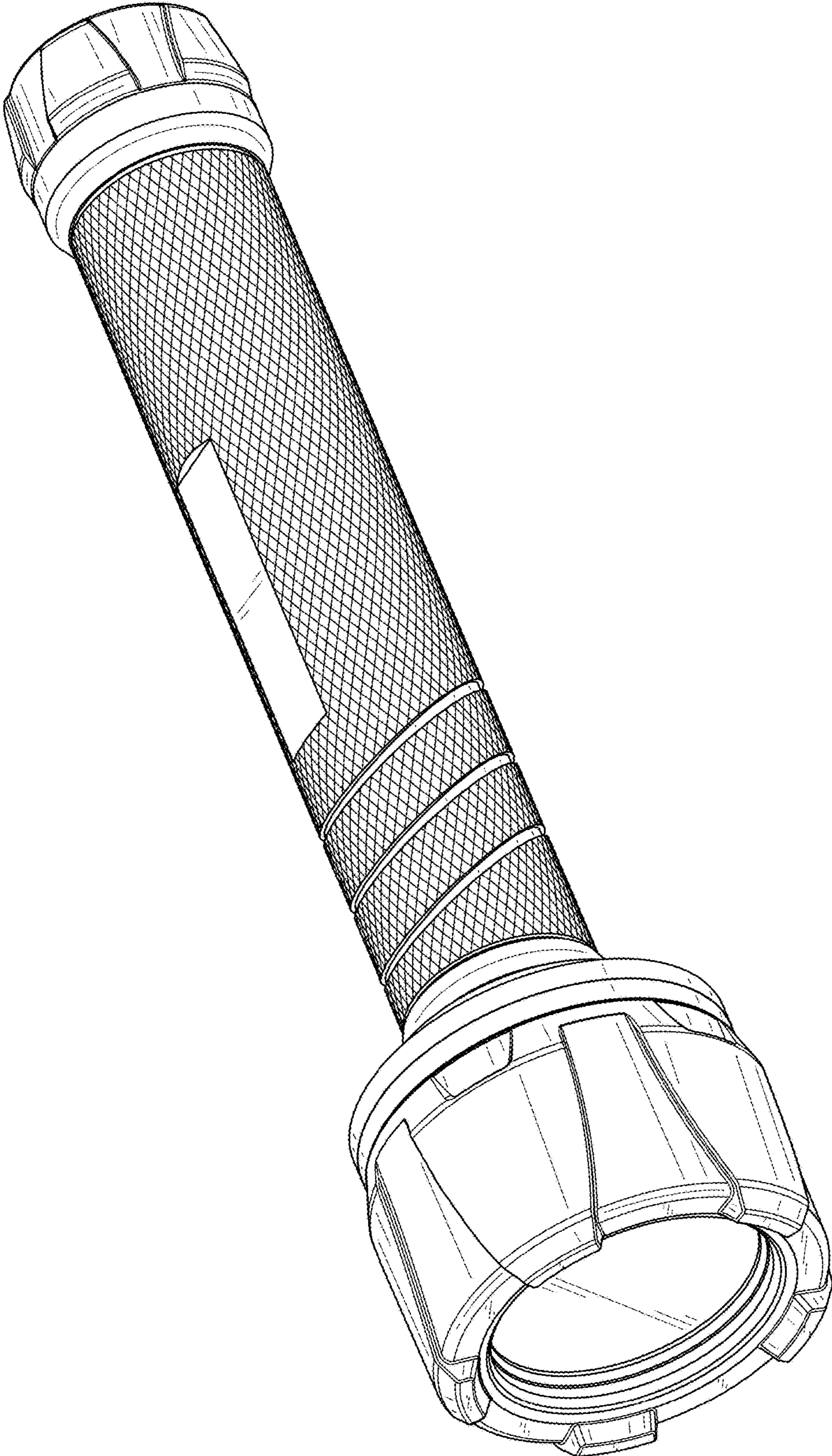


FIG. 13

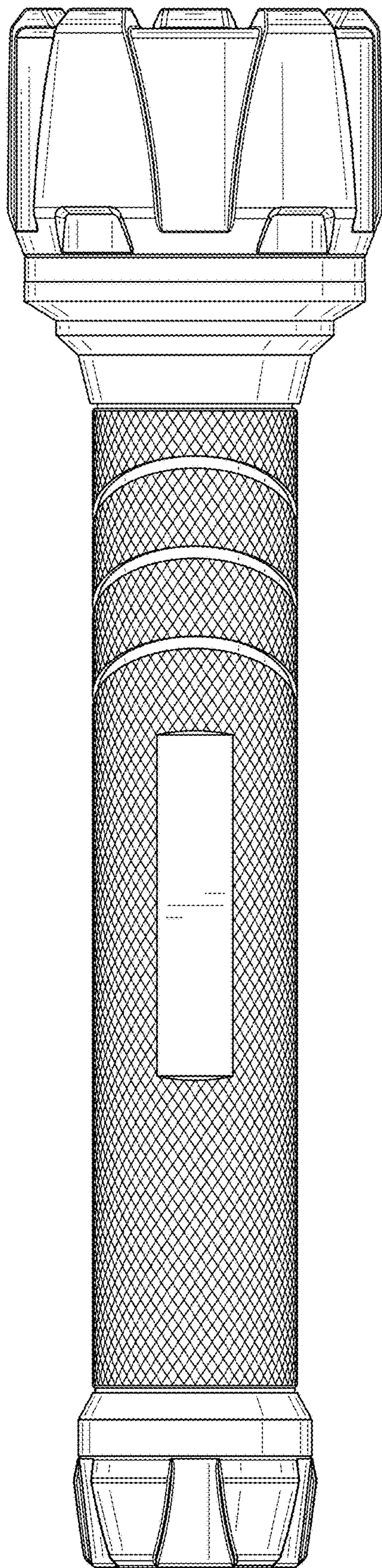


FIG. 14

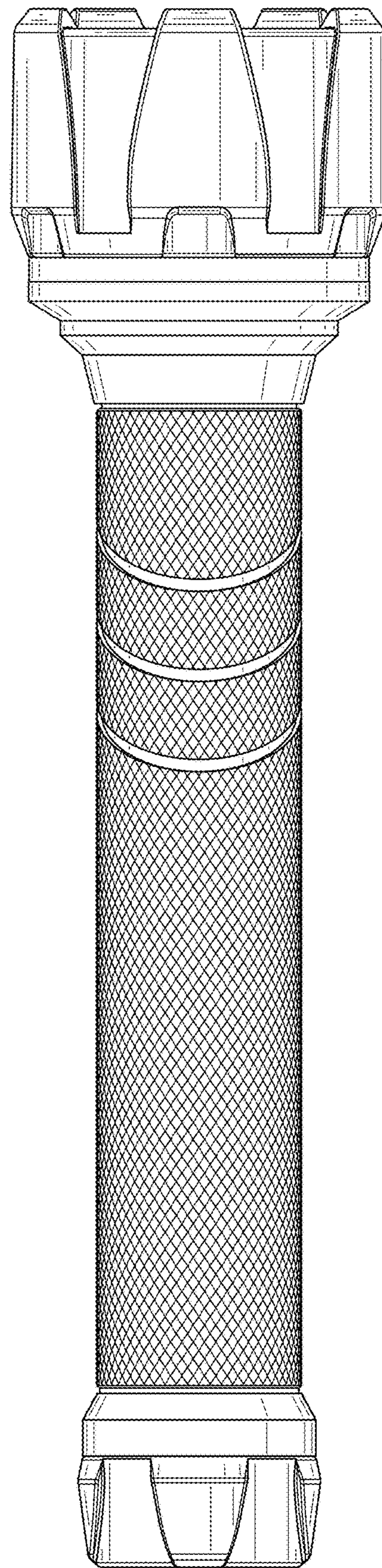


FIG. 15

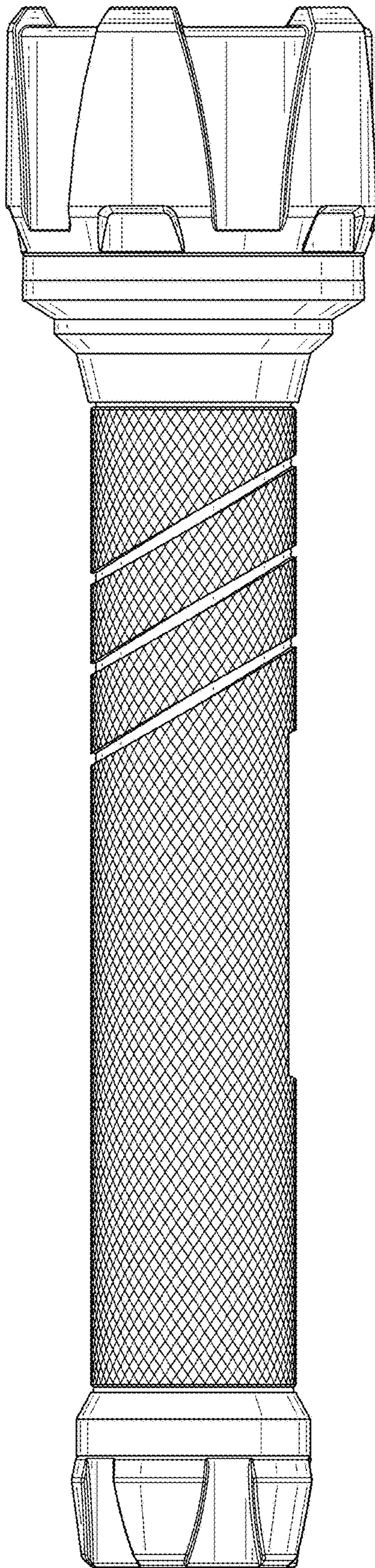


FIG. 16

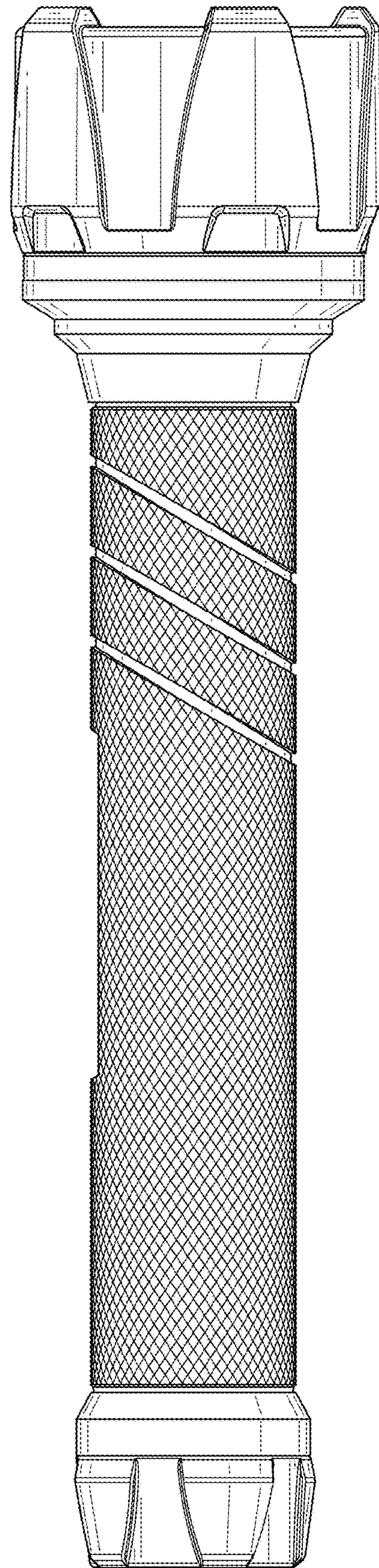


FIG. 17

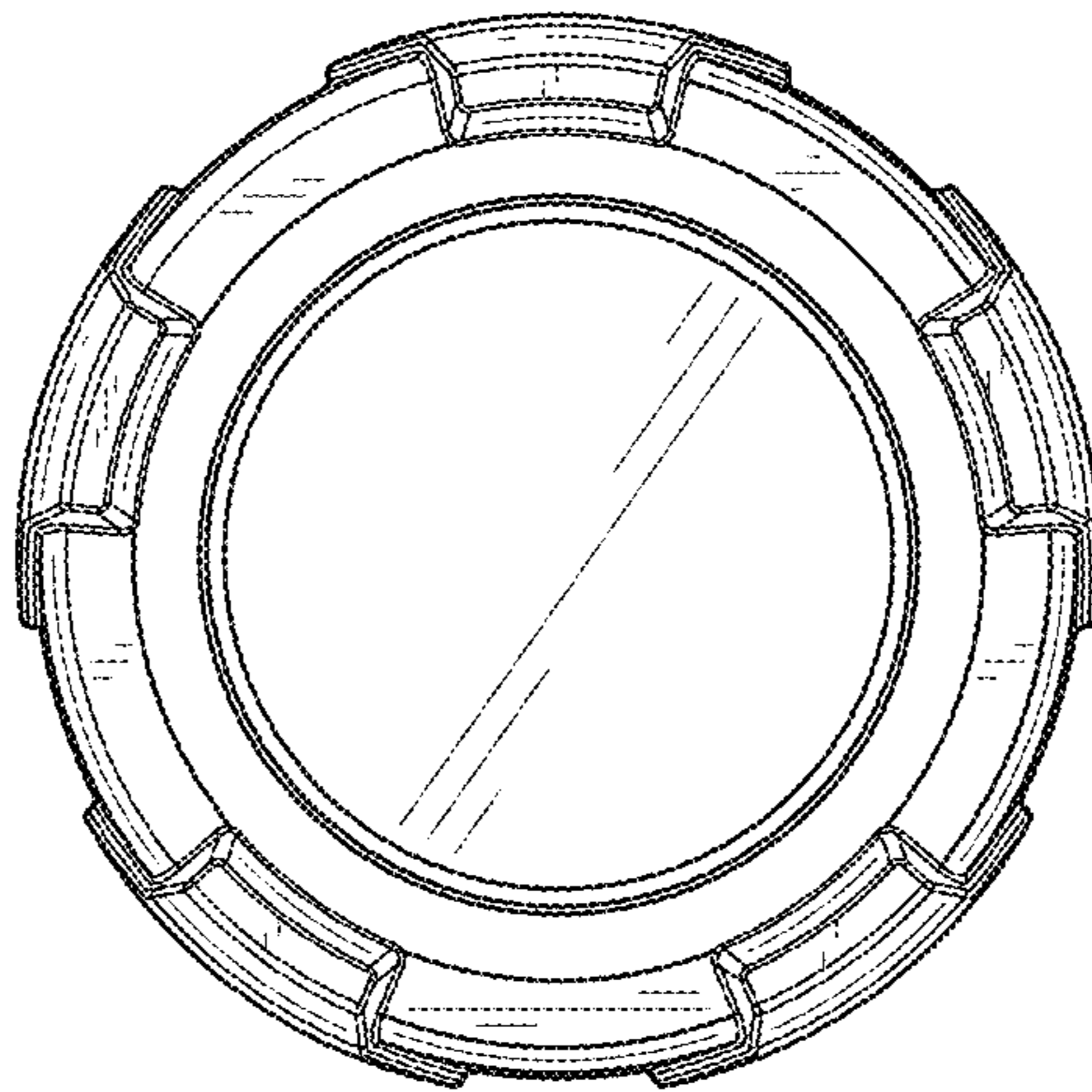


FIG. 18

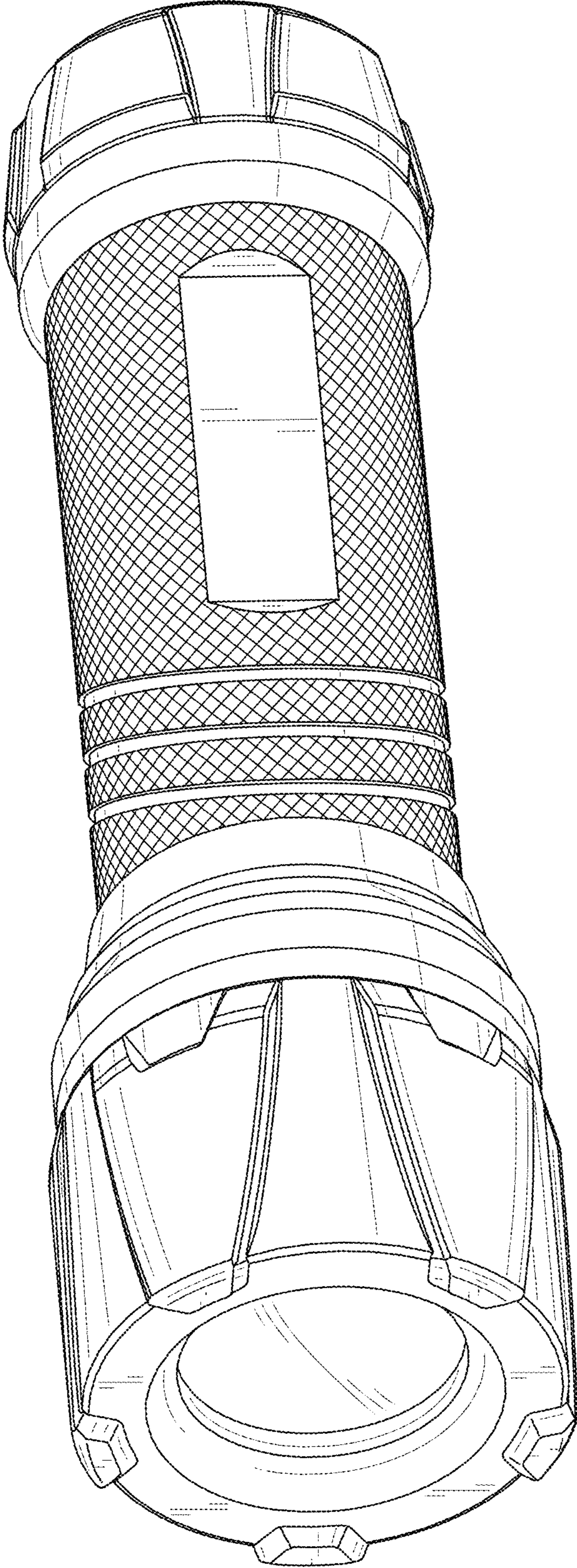


FIG. 19

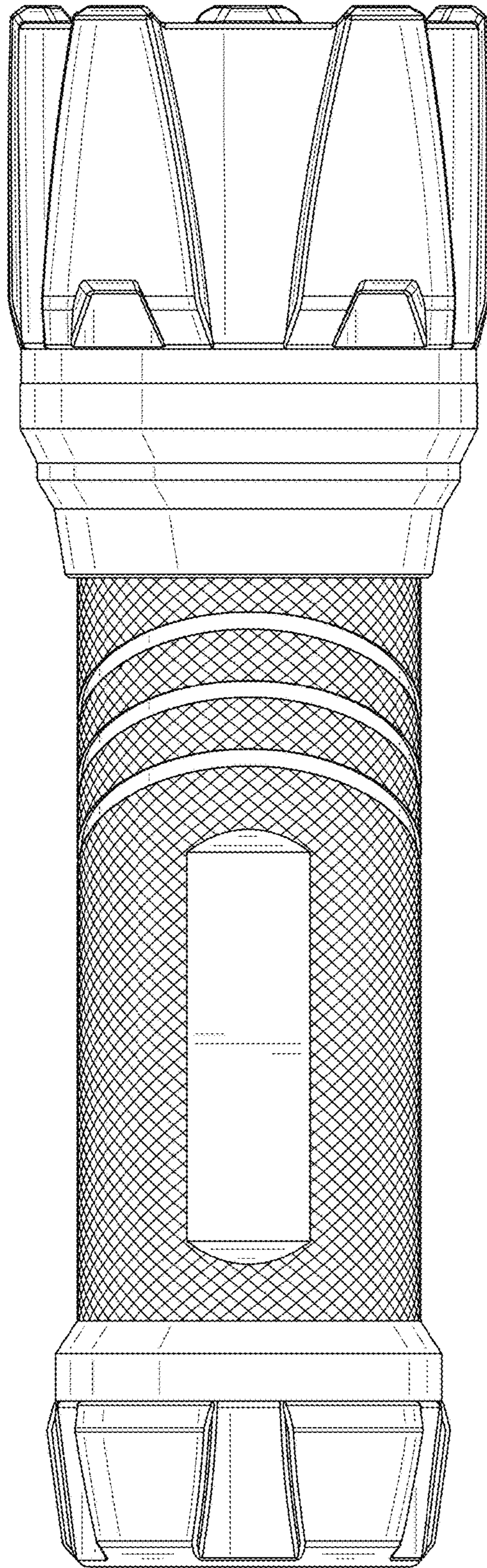


FIG. 20

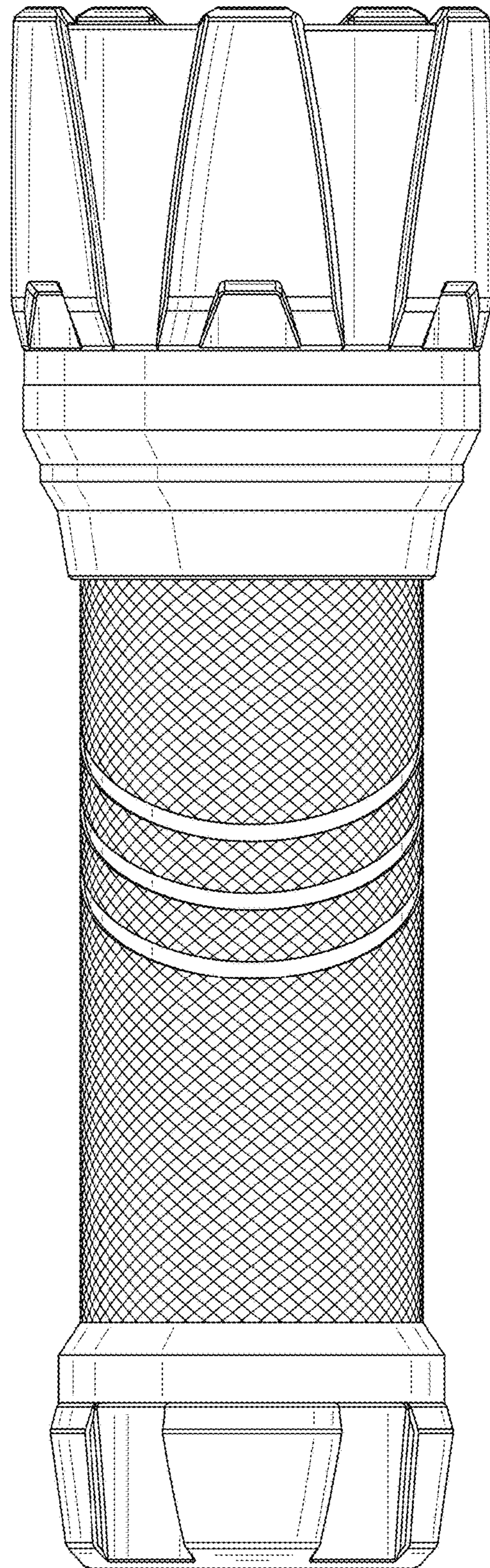


FIG. 21

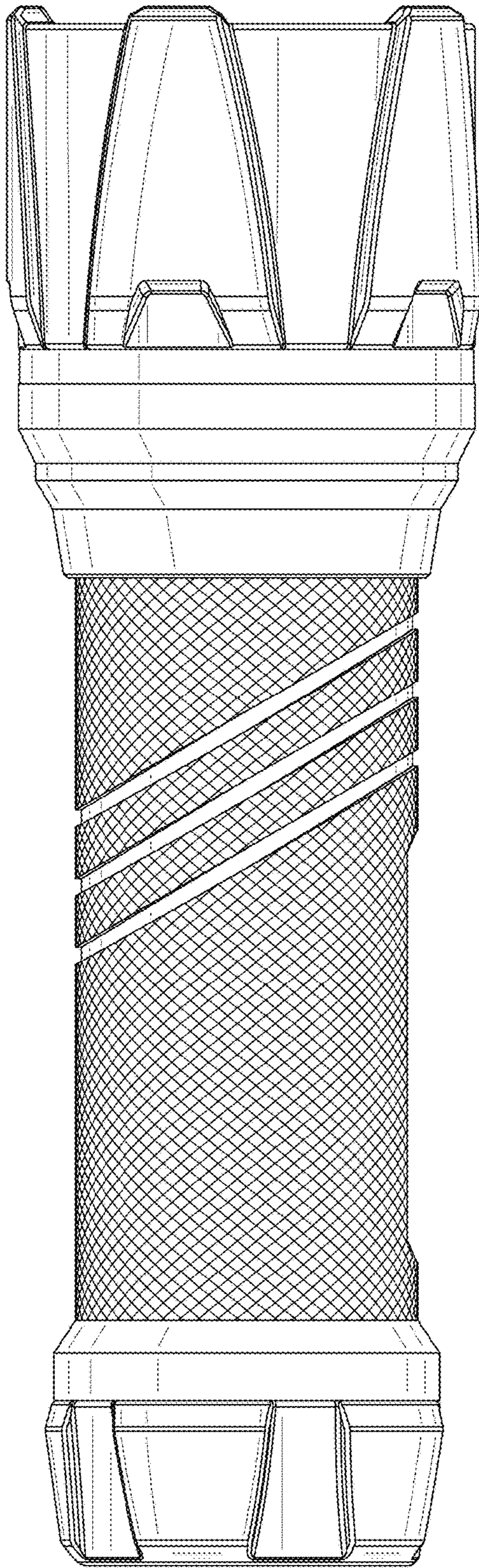


FIG. 22

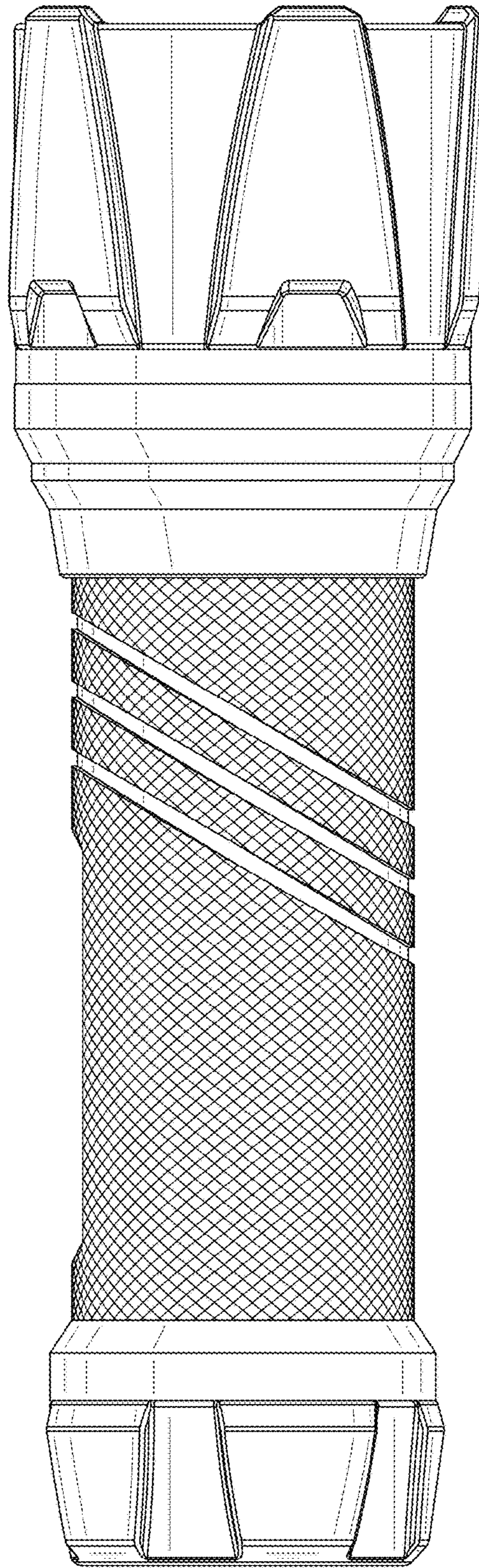


FIG. 23

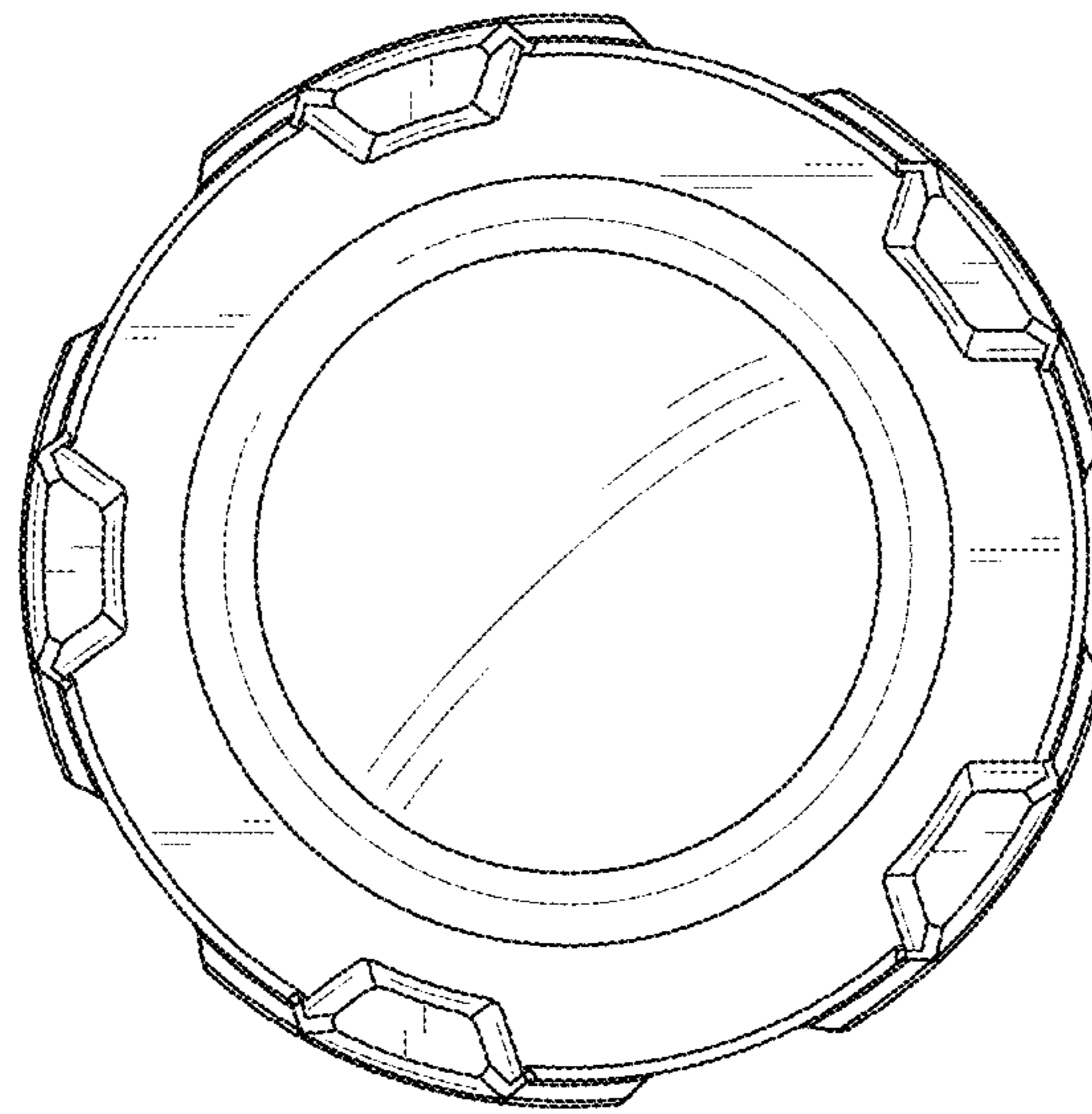


FIG. 24

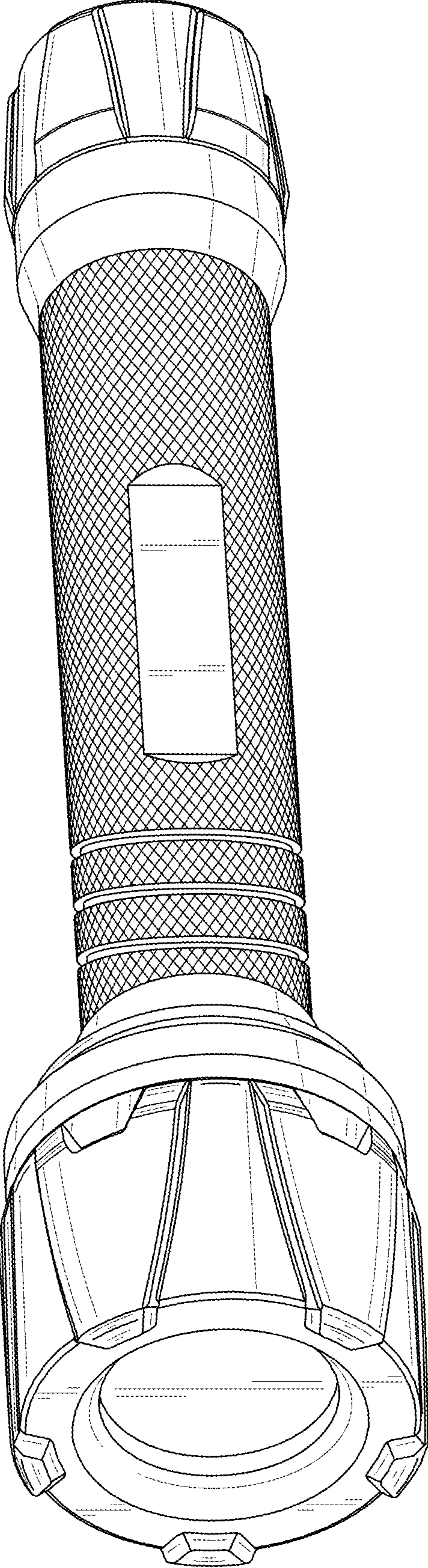


FIG. 25

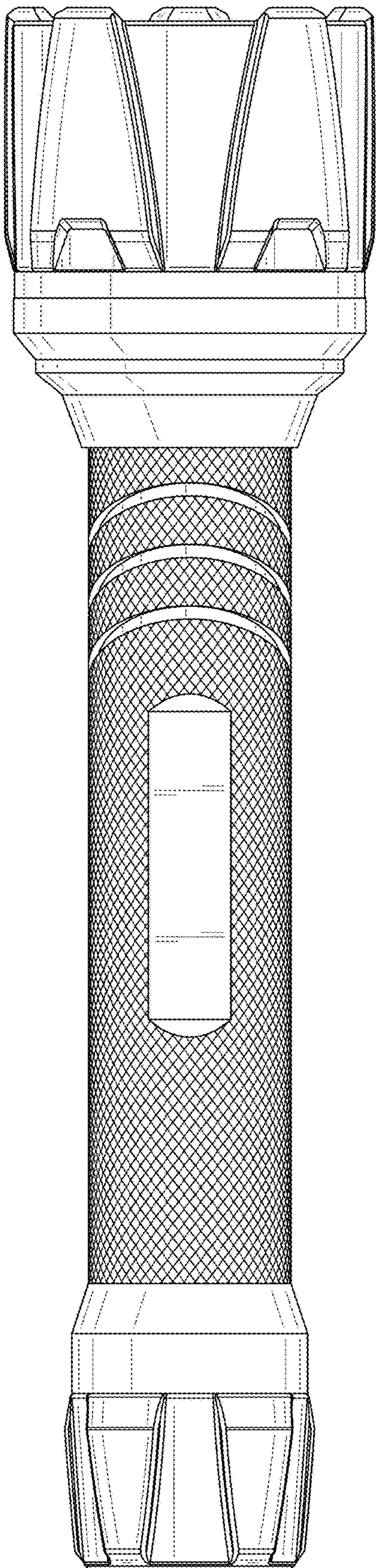


FIG. 26

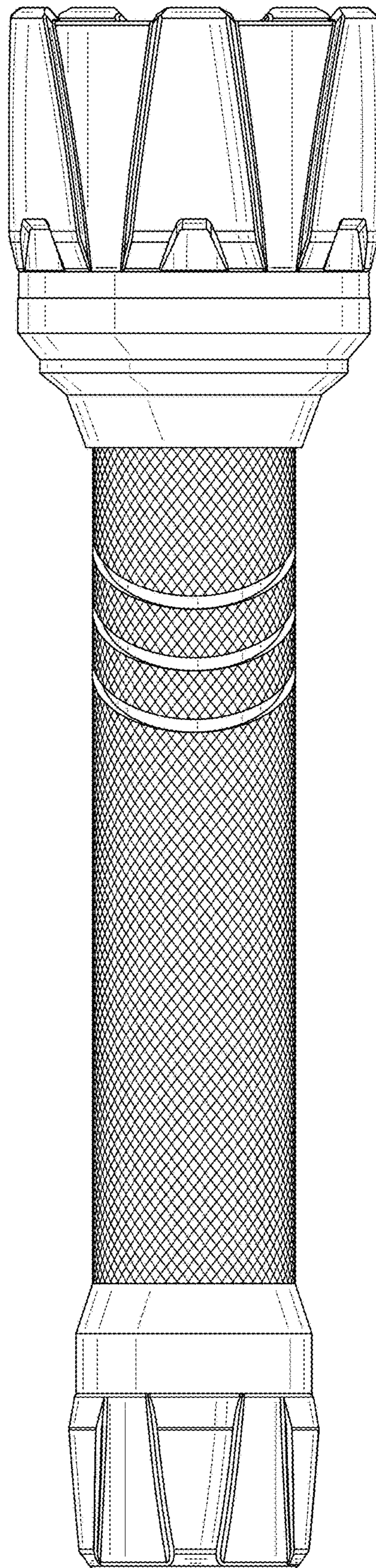


FIG. 27

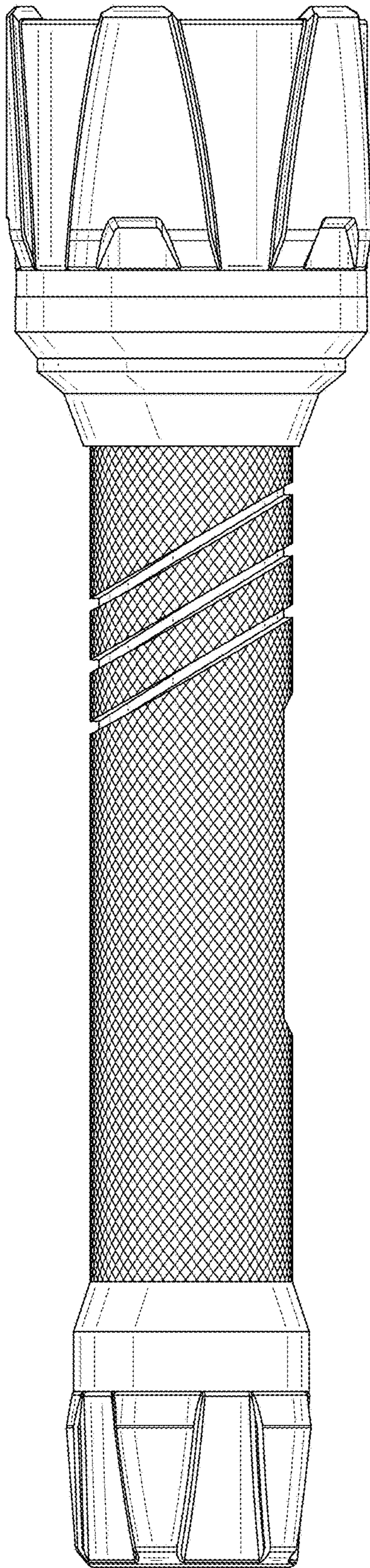


FIG. 28

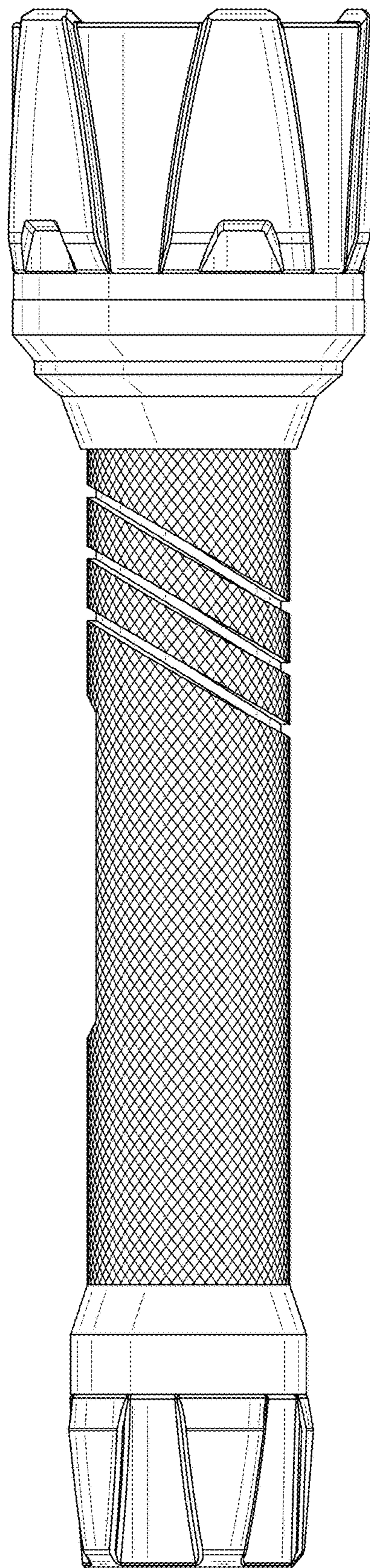


FIG. 29

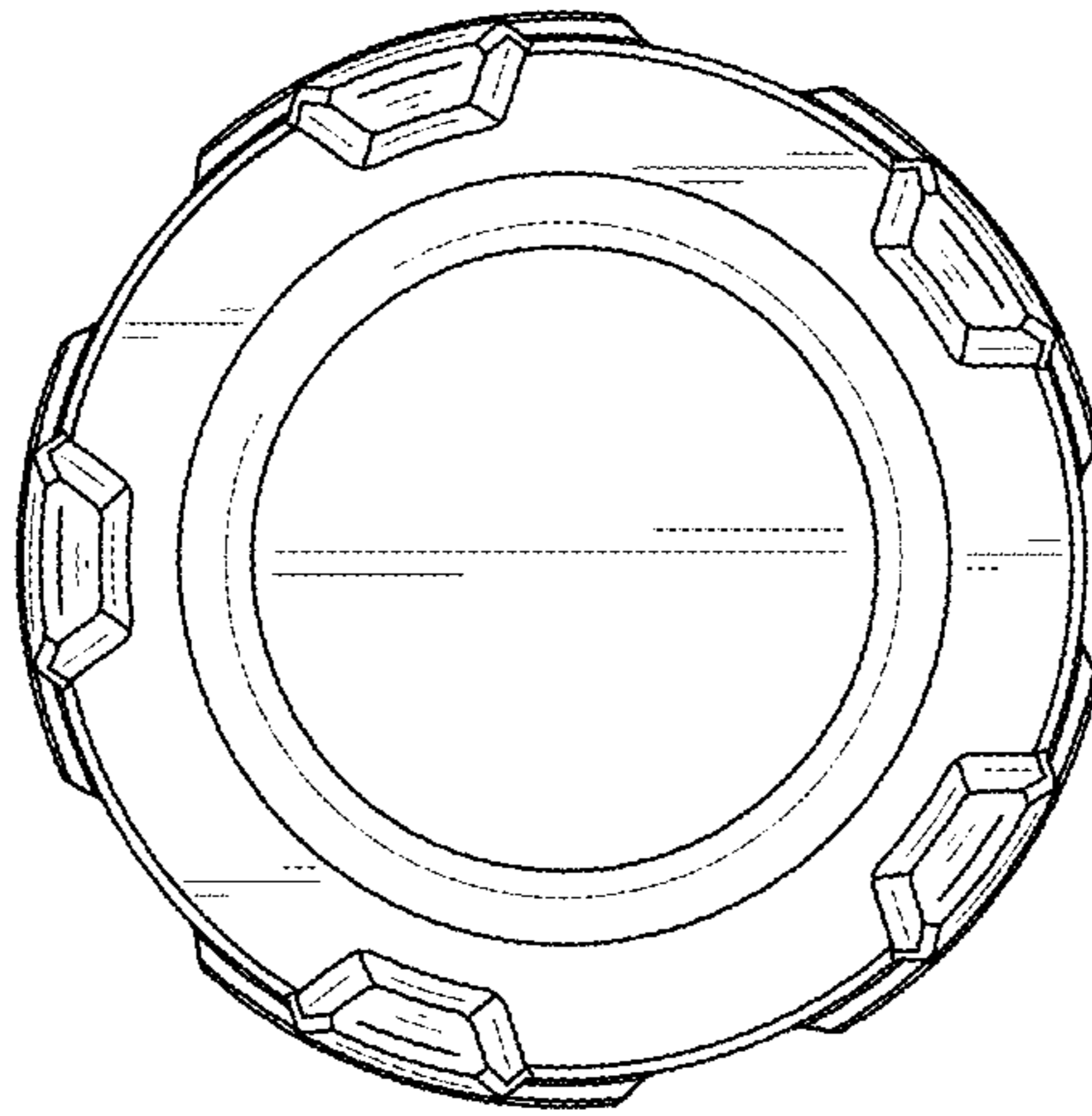


FIG. 30