



US00D803443S

(12) **United States Design Patent** (10) **Patent No.:** **US D803,443 S**
Burke (45) **Date of Patent:** **** *Nov. 21, 2017**

- (54) **LANTERN**
- (71) Applicant: **Marde Burke**, Edmond, OK (US)
- (72) Inventor: **Marde Burke**, Edmond, OK (US)
- (73) Assignee: **Jasco Products Company LLC**,
Oklahoma City, OK (US)
- (*) Notice: This patent is subject to a terminal disclaimer.
- (**) Term: **14 Years**
- (21) Appl. No.: **29/522,135**
- (22) Filed: **Mar. 27, 2015**
- (51) **LOC (10) Cl.** **26-02**
- (52) **U.S. Cl.**
USPC **D26/40**
- (58) **Field of Classification Search**
USPC D26/37, 40, 41, 38; 362/157, 158, 183,
362/184, 194-196, 200-208, 174-176
CPC F21L 2003/00; F21L 4/00; F21L 4/005;
F21L 4/02; F21L 4/025; F21L 4/027;
F21L 4/04; F21L 4/08; F21L 2005/00;
F21L 7/00; F21L 11/00; F21L 13/00;
F21L 13/04; F21L 13/08; F21L 14/02;
F21L 17/00; F21L 19/00; F21L 25/00
See application file for complete search history.

- D374,098 S * 9/1996 Lo D26/37
- D409,319 S * 5/1999 Lo D26/41
- D542,953 S * 5/2007 Lee D26/40
- D559,418 S * 1/2008 Poon D26/40
- D621,536 S * 8/2010 Lee D26/41
- D670,013 S * 10/2012 Bertken D26/40
- D670,014 S * 10/2012 Bertken D26/40
- D725,300 S * 3/2015 Dalton D26/40

* cited by examiner

Primary Examiner — Ian Simmons
Assistant Examiner — Carissa C Fitts
(74) *Attorney, Agent, or Firm* — Resolution Legal Group;
Bruce LaBrie

(56) **References Cited**
U.S. PATENT DOCUMENTS

- D190,674 S * 6/1961 Hoenisch D26/41
- D218,534 S * 8/1970 Deines et al. D26/41

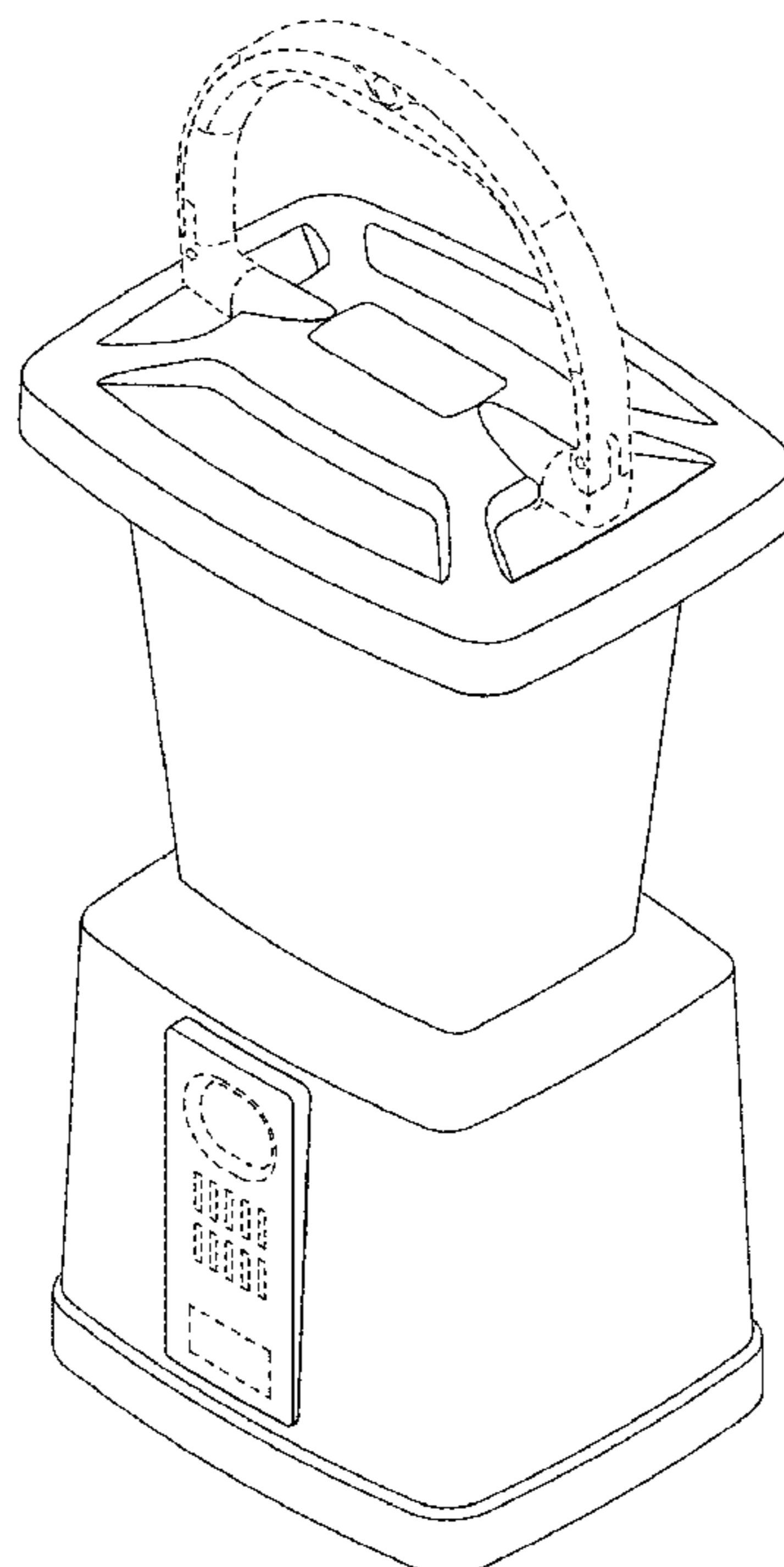
(57) **CLAIM**

The ornamental design for a lantern, as shown and described.

DESCRIPTION

FIG. 1 is a left side elevational view of a lantern comprising the new design;
FIG. 2 is a front elevational view;
FIG. 3 is a right side elevational view;
FIG. 4 is a rear elevational view;
FIG. 5 is a top view; and,
FIG. 6 is a front perspective view.
The bottom is flat and devoid of surface ornamentation. The broken line showing represents portions of the article not claimed only and forms no part of the claimed design.

1 Claim, 2 Drawing Sheets



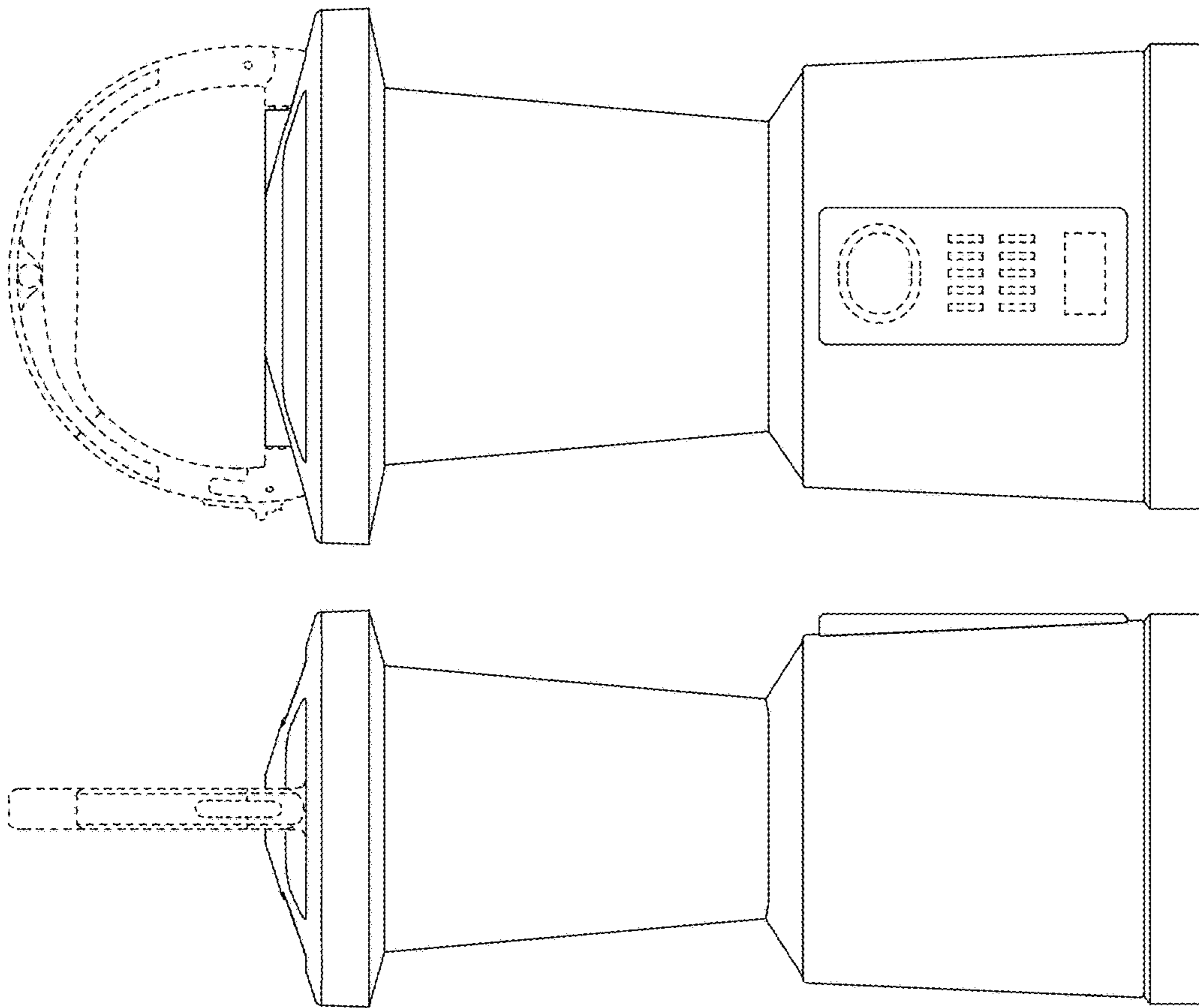


FIG. 2

FIG. 1

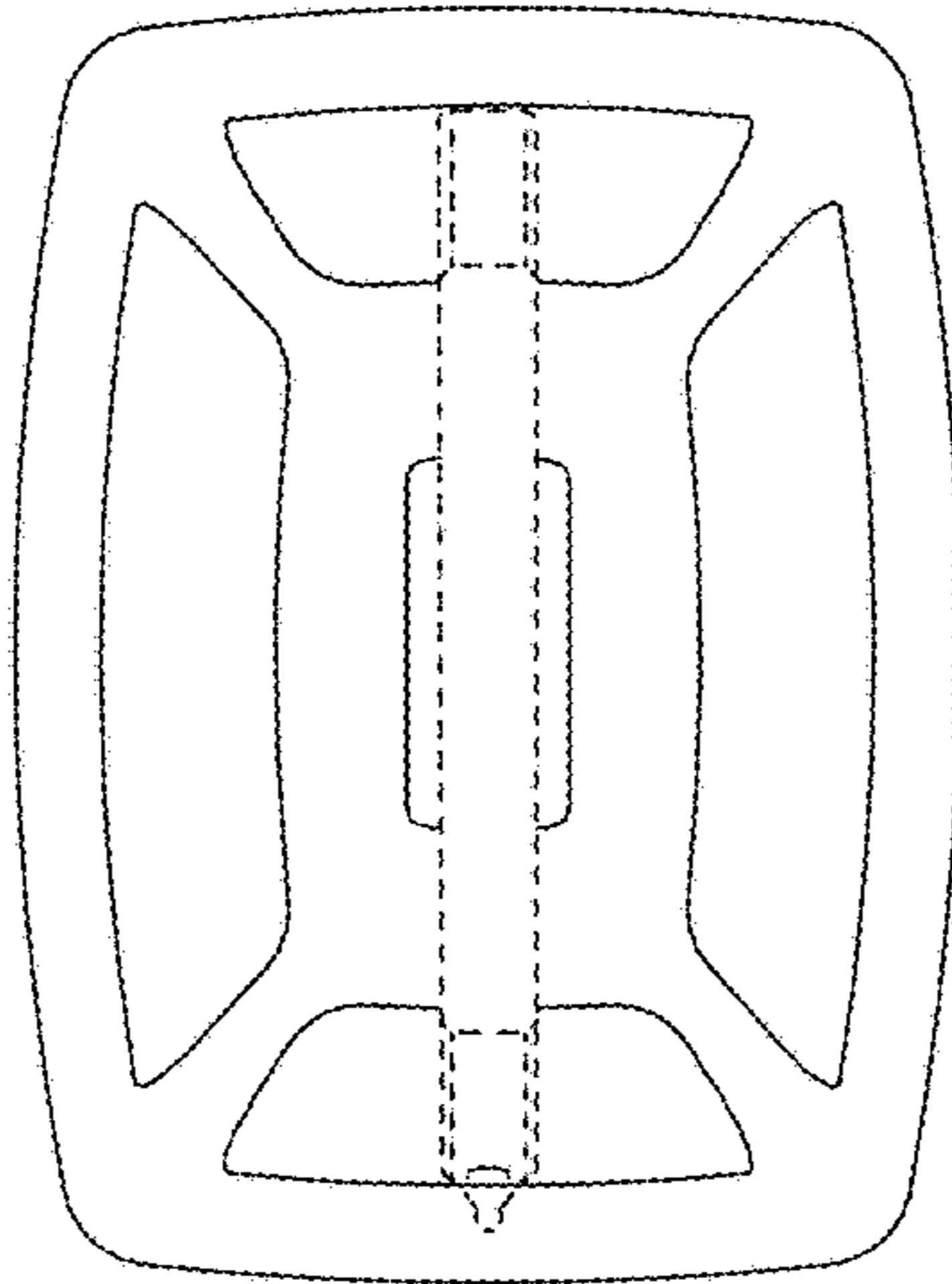


FIG. 5

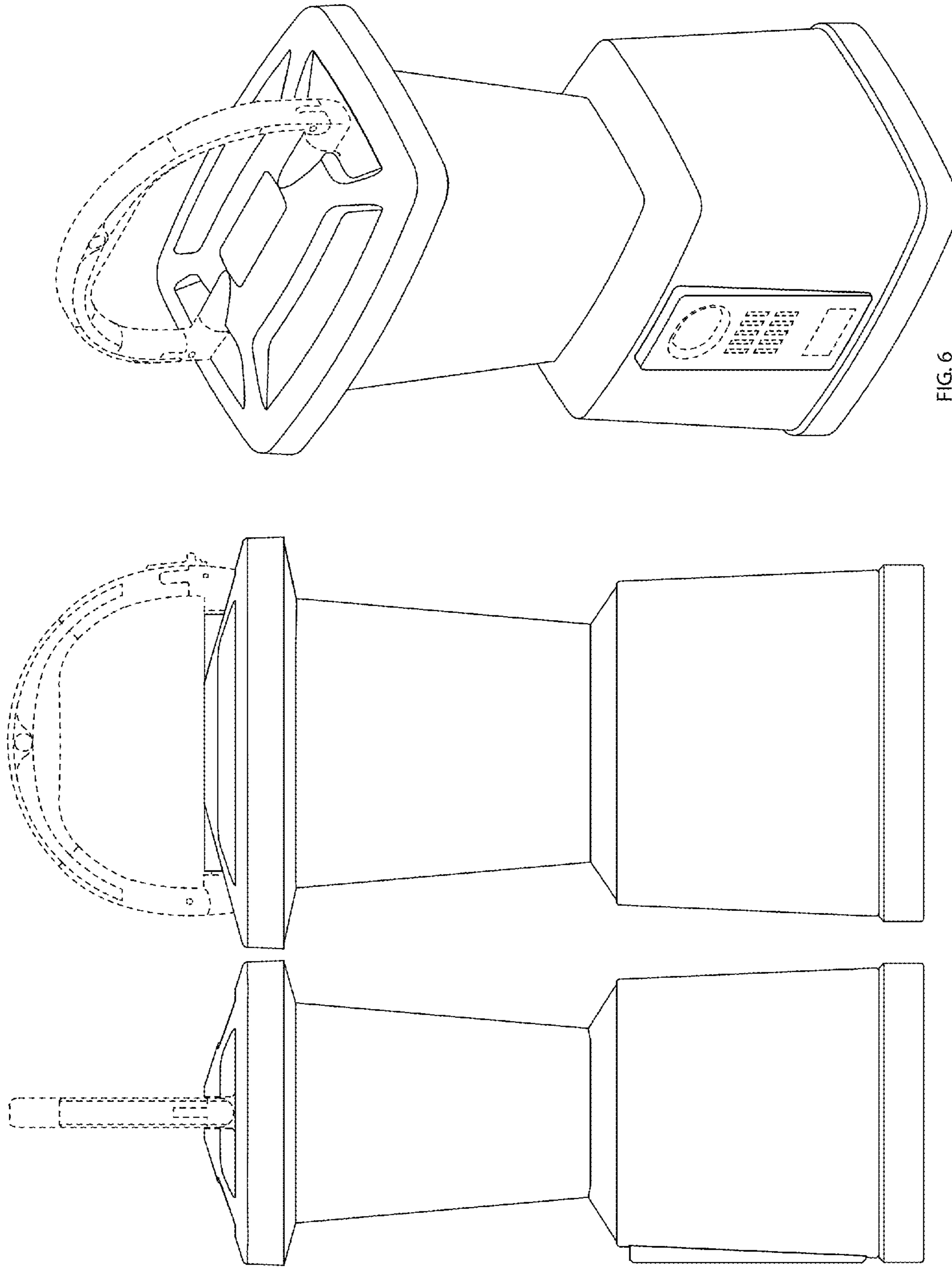


FIG. 6

FIG. 4

FIG. 3