



US00D803441S

(12) **United States Design Patent** (10) **Patent No.:** **US D803,441 S**
Mandiola (45) **Date of Patent:** **** Nov. 21, 2017**

- (54) **FLASHLIGHT**
- (71) Applicant: **RENU TECH SOLUTIONS, LLC**,
Missouri City, TX (US)
- (72) Inventor: **Ladislao Mandiola**, Missouri City, TX
(US)
- (73) Assignee: **RENU TECH SOLUTIONS, LLC**,
Missouri City, TX (US)
- (**) Term: **15 Years**
- (21) Appl. No.: **29/527,992**
- (22) Filed: **May 23, 2015**
- (51) **LOC (10) Cl.** **26-02**
- (52) **U.S. Cl.**
USPC **D26/38; D26/49**
- (58) **Field of Classification Search**
USPC D26/37, 38, 46, 49, 51, 113; 362/157,
362/158, 183, 184, 194–196, 202–208,
362/253; D3/209
CPC F21L 2003/00; F21L 4/00; F21L 4/005;
F21L 4/02; F21L 4/025; F21L 4/027;
F21L 4/04; F21L 4/08; F21L 2005/00;
F21L 7/00; F21L 11/00; F21L 13/00;
F21L 13/04; F21L 13/08; F21L 14/02;
F21L 17/00; F21L 19/00; F21L 25/00
See application file for complete search history.

(56) **References Cited**

U.S. PATENT DOCUMENTS

D404,155 S *	1/1999	Maddox	D26/37
D422,135 S *	4/2000	Man	D3/209
D550,447 S *	9/2007	Opolka	D3/209
D586,025 S *	2/2009	Bonis	D26/49
D637,749 S *	5/2011	Bayat	D26/49
D647,232 S *	10/2011	Liu	D26/49
D647,654 S *	10/2011	Li	D26/49
D660,487 S *	5/2012	Wu	D26/38

D666,344 S *	8/2012	Lee	D26/49
D684,717 S *	6/2013	Hicks	D26/49
D698,056 S *	1/2014	Forbes	D26/42
D699,381 S *	2/2014	Stewart	D26/49
D739,060 S *	9/2015	Choupinov	D22/117
D743,595 S *	11/2015	Fischer	D26/38

OTHER PUBLICATIONS

Basham, Jim, www.flashlightguide.com/2014/03/costa-switchback-backup, internet website, Mar. 9, 2014.
 “CR-KIT01—Flashlight Combat Rings”, www.surefire.com/combatrings-cr-kit01.html, “CR-KIT01 Flashlight Combat Rings”, internet website, 2013.
 “the Graham Method & Combat Rings”, www.youtube.com/watch?v=ICpBhV3pi4, YouTube video, published Jan. 31, 2014.
 “THYRM”; www.thyrm.com, internet website, 2013-2014.

* cited by examiner

Primary Examiner — Lakiya Rogers

Assistant Examiner — Carissa C Fitts

(74) *Attorney, Agent, or Firm* — Arc IP Law, PC; Joseph J. Mayo

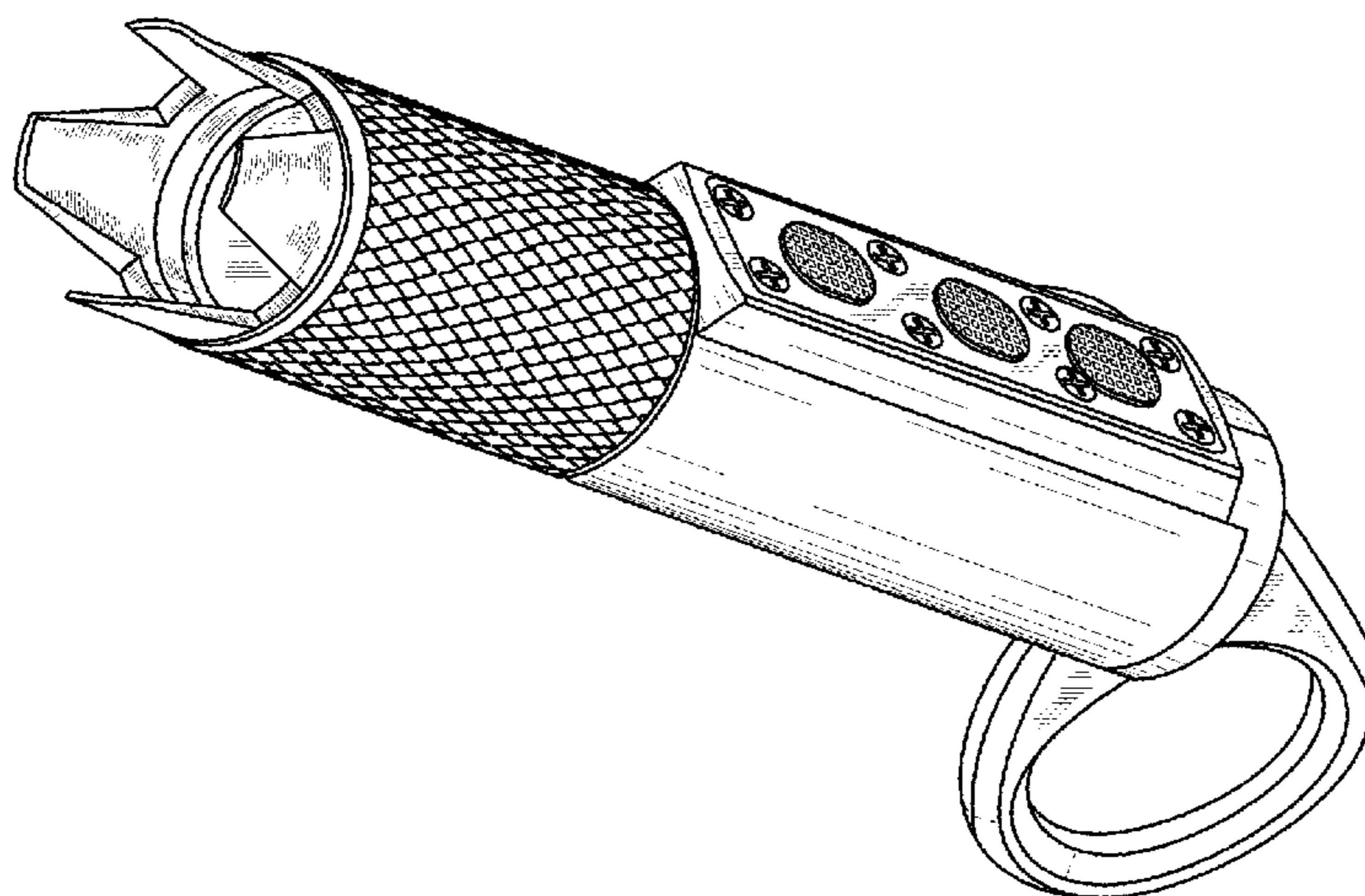
(57) **CLAIM**

The ornamental design for a flashlight, as shown and described.

DESCRIPTION

FIG. 1 is a top perspective view of a flashlight.
 FIG. 2 is a bottom perspective view of the flashlight of FIG. 1.
 FIG. 3 is a left side view of the flashlight of FIG. 1.
 FIG. 4 is a right side view of the flashlight of FIG. 1.
 FIG. 5 is a top view of the flashlight of FIG. 1.
 FIG. 6 is a bottom view of the flashlight of FIG. 1.
 FIG. 7 is a front view of the flashlight of FIG. 1; and,
 FIG. 8 is a rear view of the flashlight of FIG. 1.

1 Claim, 8 Drawing Sheets



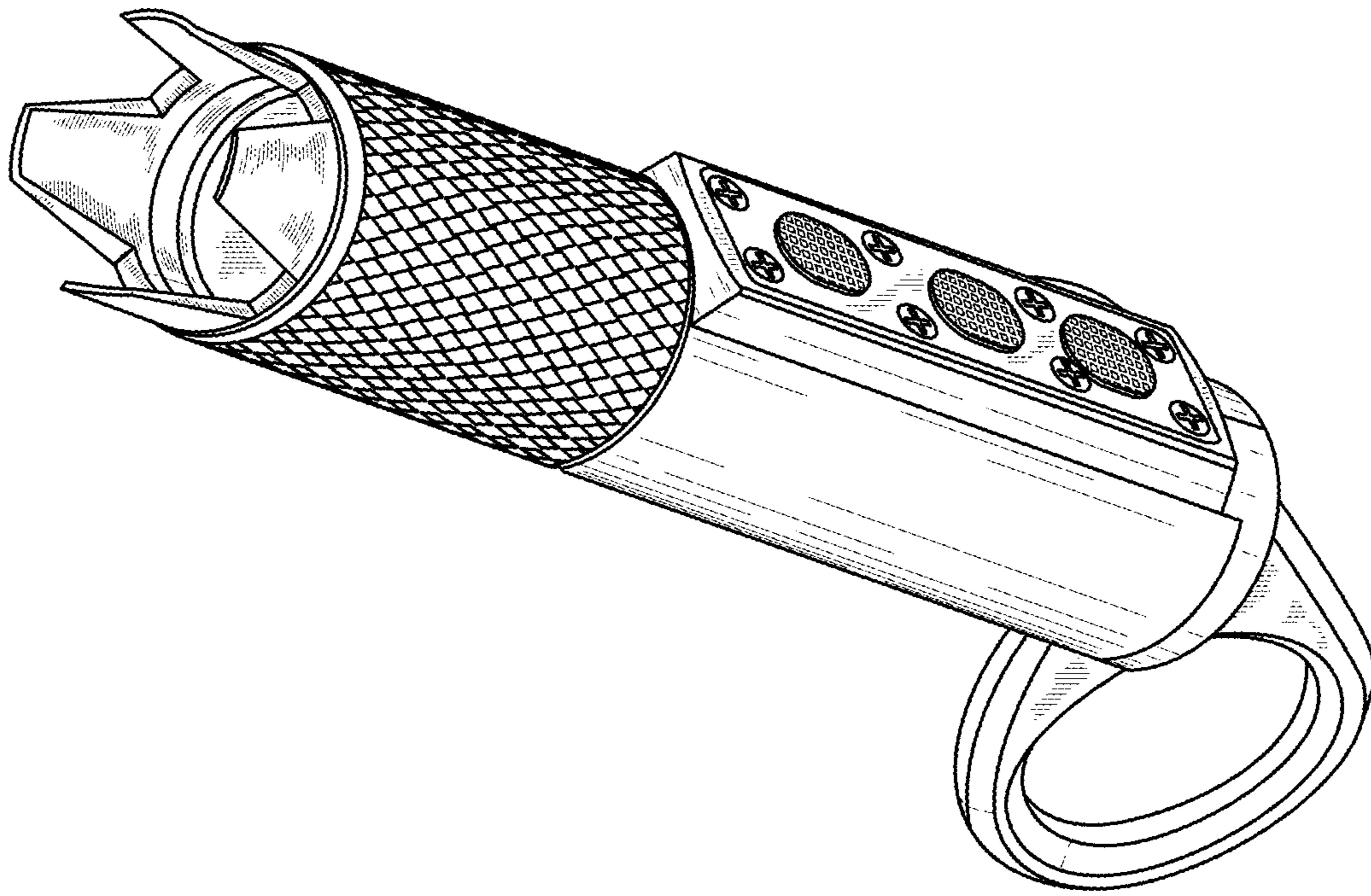


FIG. 1

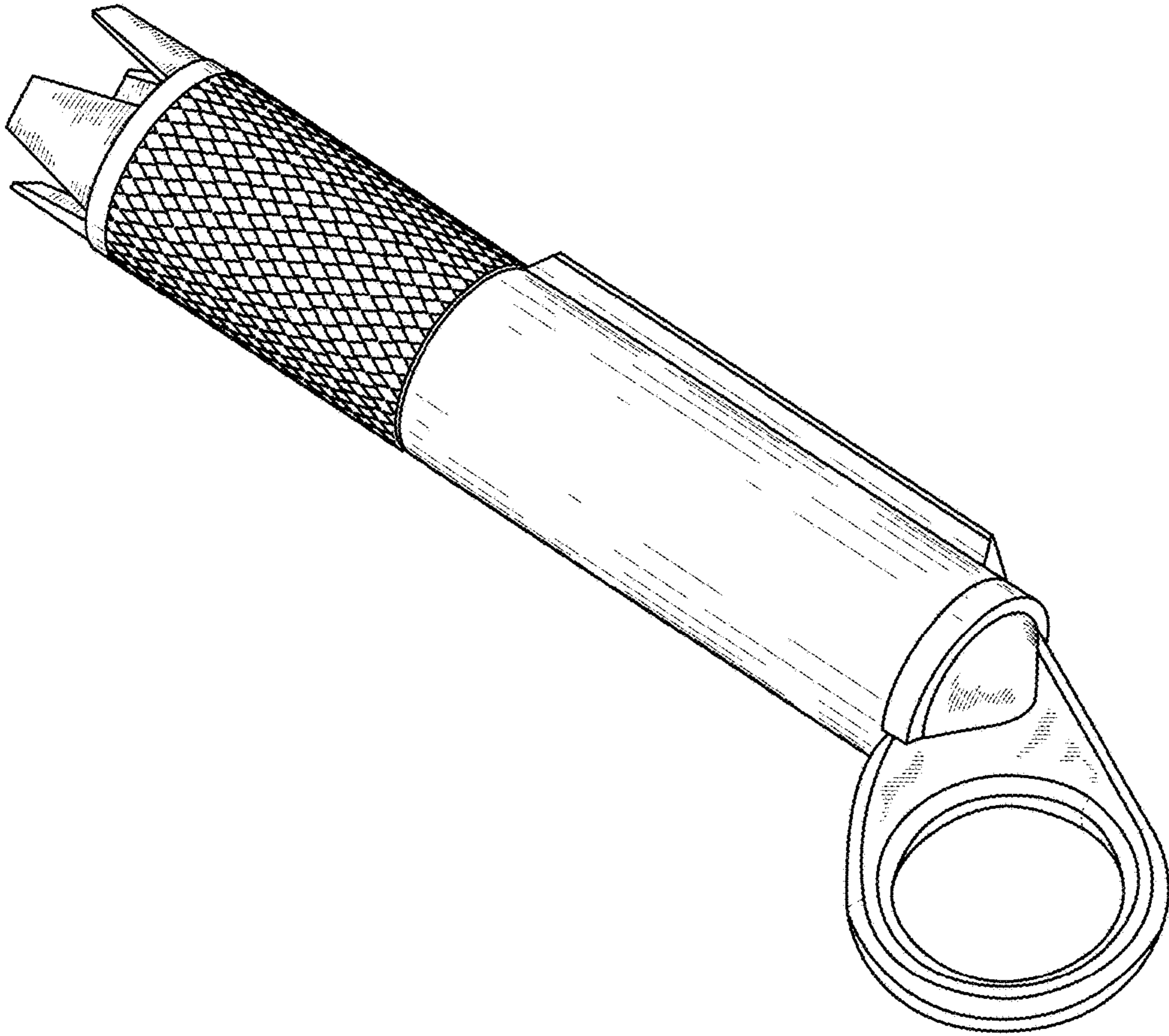


FIG. 2

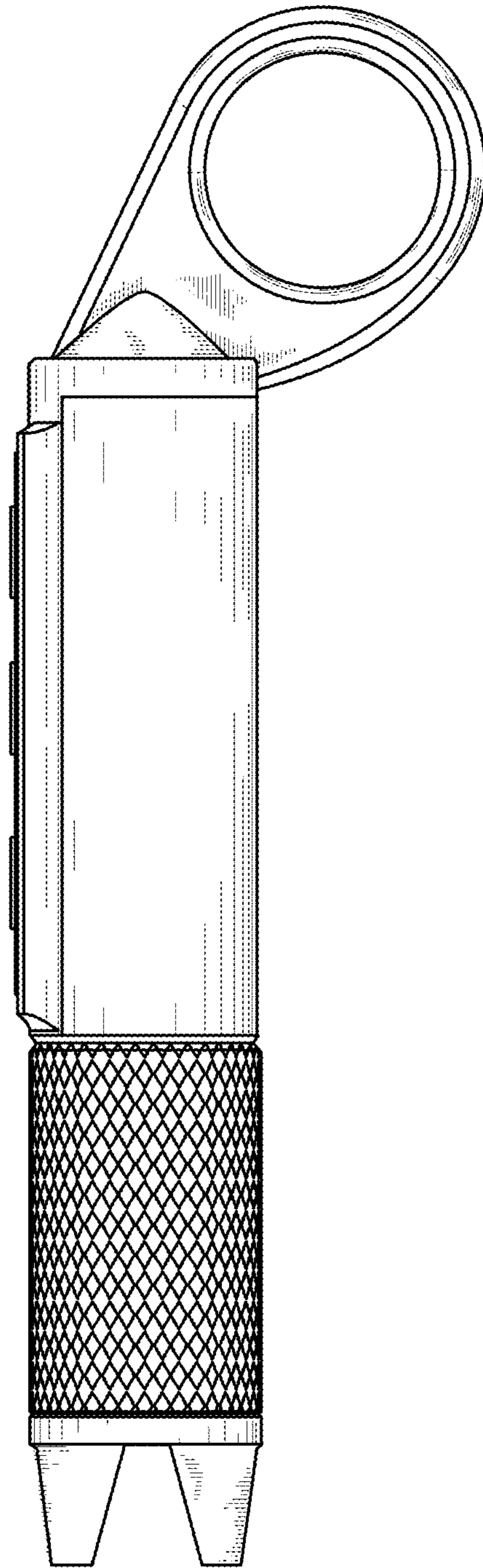


FIG. 3

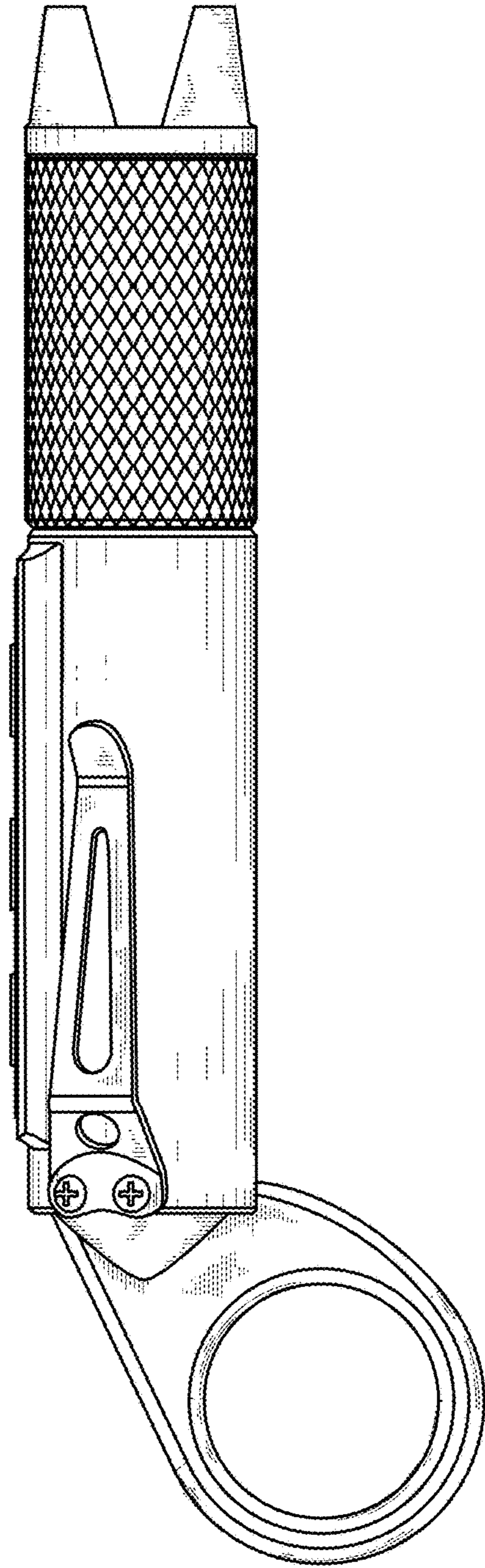


FIG. 4

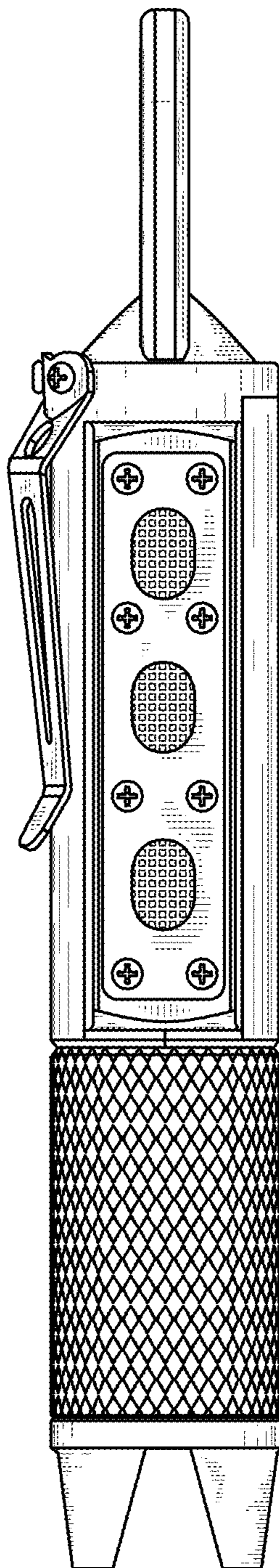


FIG. 5

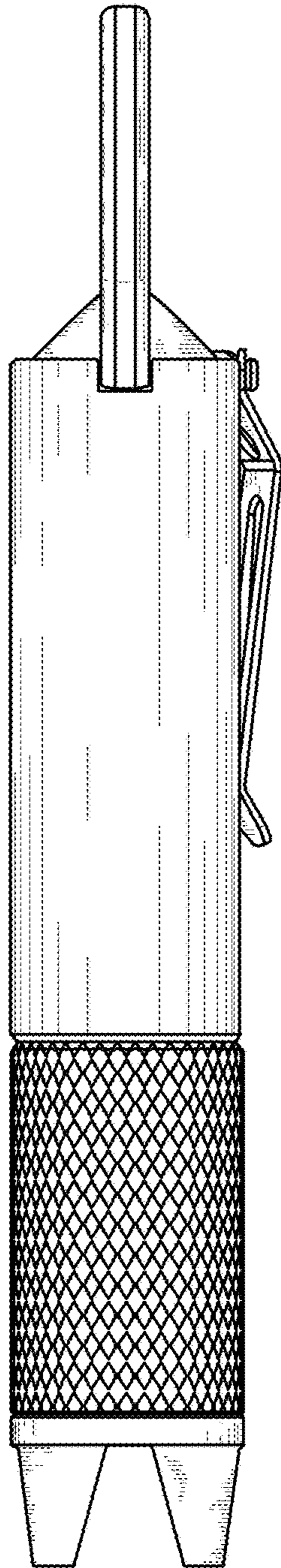


FIG. 6

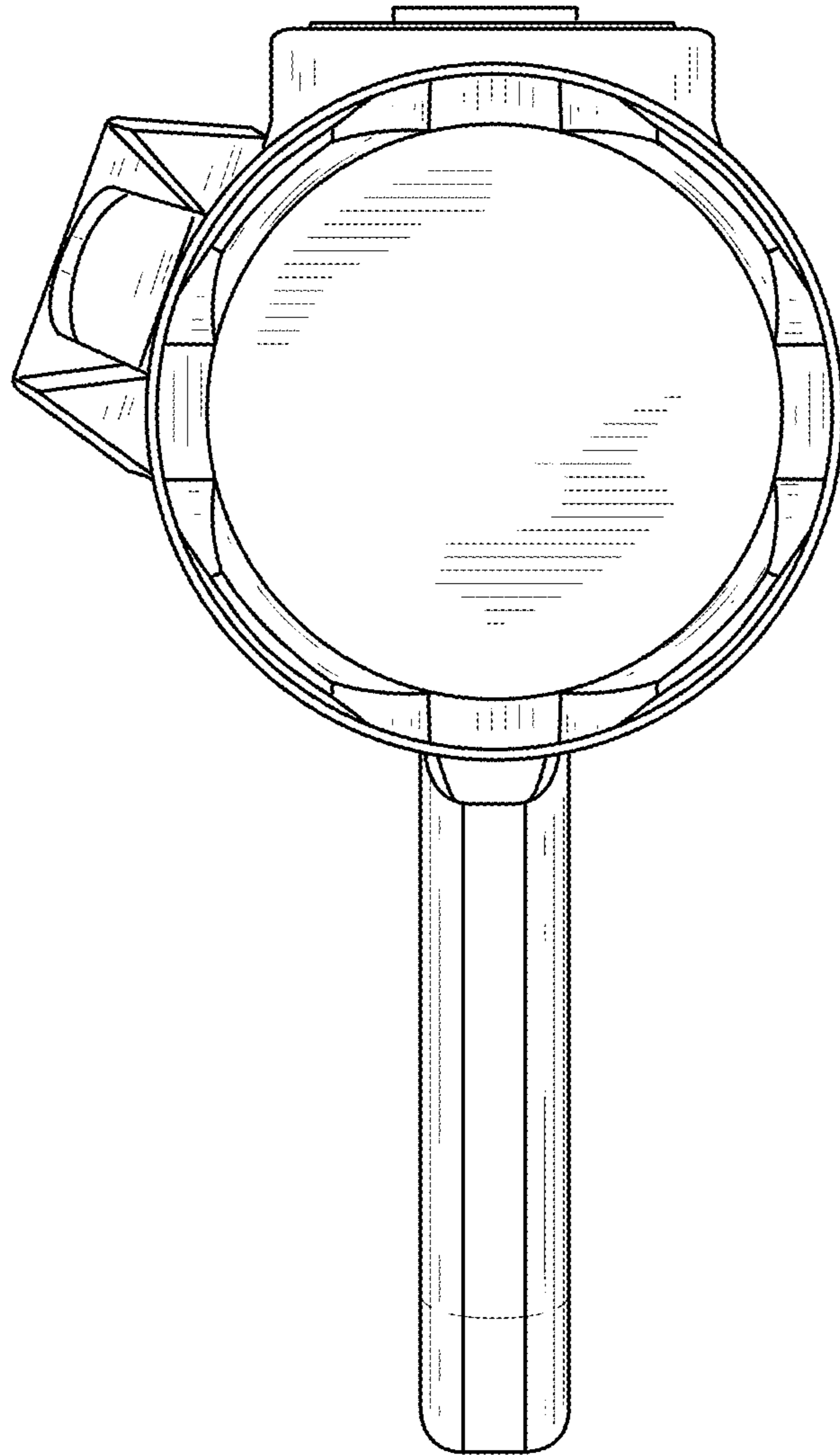


FIG. 7

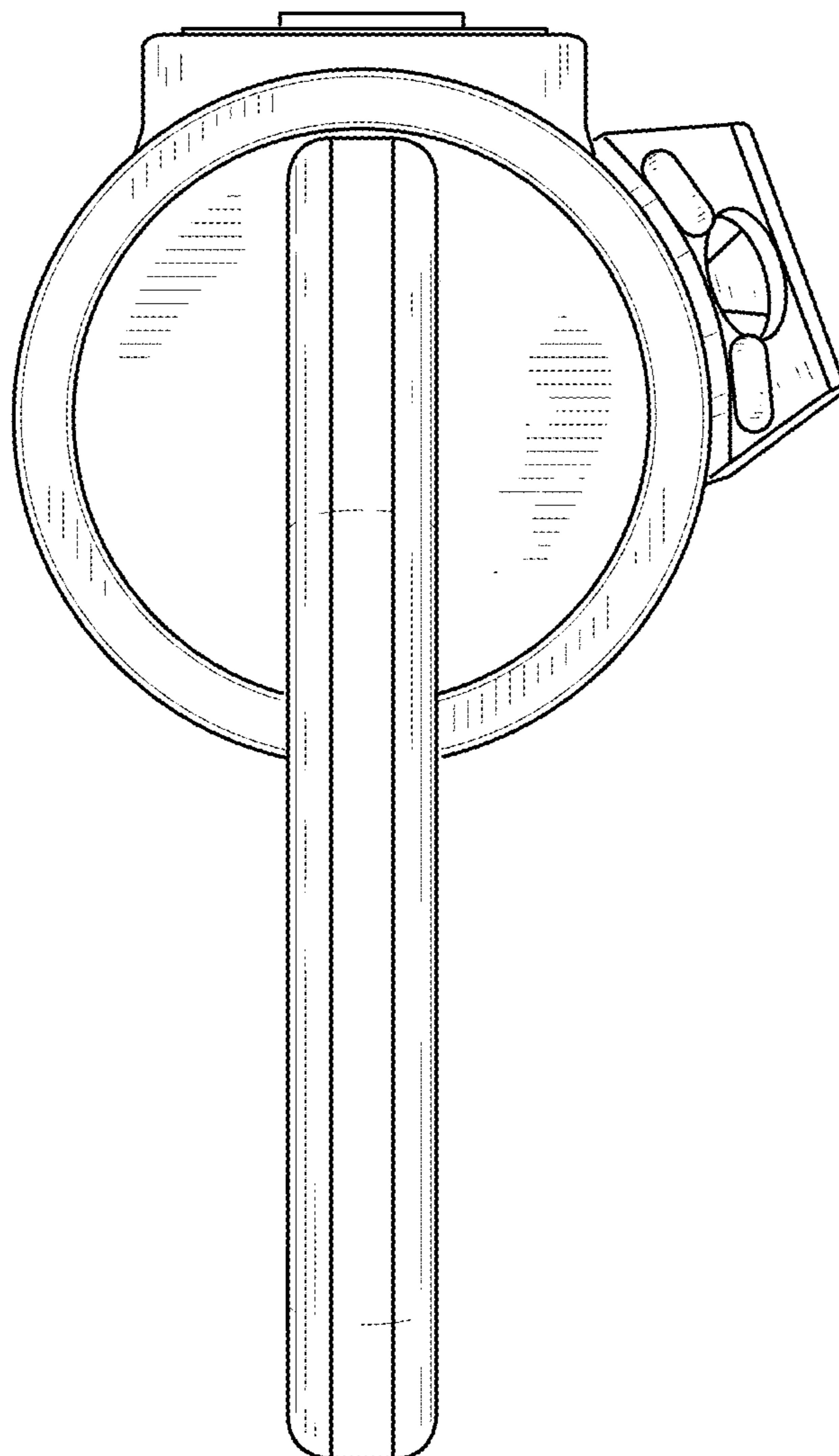


FIG. 8