



US00D803440S

(12) **United States Design Patent** (10) **Patent No.:** **US D803,440 S**  
**Tompkin** (45) **Date of Patent:** **\*\* Nov. 21, 2017**

(54) **LANTERN**  
(71) Applicant: **MerchSource, LLC**, Irvine, CA (US)  
(72) Inventor: **Crispian Tompkin**, El Segundo, CA (US)  
(73) Assignee: **MerchSource, LLC**, Irvine, CA (US)  
(\*\*) Term: **15 Years**

D699,376 S \* 2/2014 Kim ..... D26/1  
D713,076 S \* 9/2014 von Waldthausen ..... D26/37  
D731,687 S \* 6/2015 Haws ..... D26/46  
D736,442 S \* 8/2015 Kovacik ..... D26/37  
D739,585 S \* 9/2015 Chun ..... D26/38  
D753,855 S \* 4/2016 Cacciabeve ..... D26/37  
D758,299 S \* 6/2016 Lafferty ..... D13/102  
D760,414 S \* 6/2016 Brown ..... D26/37

(Continued)

**FOREIGN PATENT DOCUMENTS**

WO 2013188278 A1 12/2013

**OTHER PUBLICATIONS**

[http://www.target.com/p/energizer-fusion-folding-lantern/-/A-14438842?ref=tgt\\_adv\\_XSG10001&AFID=Google\\_PLA\\_df&LNM=14438842&CPNG=Unassigned&kpid=14438842&LID=PA&ci\\_src=17588969&ci\\_sku=14438842&gclid=CPOP7I2Rk7wCFaHm7AodVjsAsQ](http://www.target.com/p/energizer-fusion-folding-lantern/-/A-14438842?ref=tgt_adv_XSG10001&AFID=Google_PLA_df&LNM=14438842&CPNG=Unassigned&kpid=14438842&LID=PA&ci_src=17588969&ci_sku=14438842&gclid=CPOP7I2Rk7wCFaHm7AodVjsAsQ); printed from website Mar. 18, 2016; 1 page.

*Primary Examiner* — Lakiya Rogers  
*Assistant Examiner* — Carissa C Fitts  
(74) *Attorney, Agent, or Firm* — Avyno Law P.C.

(21) Appl. No.: **29/544,075**  
(22) Filed: **Oct. 30, 2015**  
(51) **LOC (10) Cl.** ..... **26-02**  
(52) **U.S. Cl.**  
USPC ..... **D26/37**  
(58) **Field of Classification Search**  
USPC ..... D26/37, 38, 40, 42, 46, 51; D13/102  
CPC ..... F21L 2003/00; F21L 4/00; F21L 4/005;  
F21L 4/02; F21L 4/025; F21L 4/027;  
F21L 4/04; F21L 4/08; F21L 2005/00;  
F21L 7/00; F21L 11/00; F21L 13/00;  
F21L 13/04; F21L 13/08; F21L 14/02;  
F21L 17/00; F21L 19/00  
See application file for complete search history.

(57) **CLAIM**

I claim the ornamental design for a lantern, as shown and described.

(56) **References Cited**

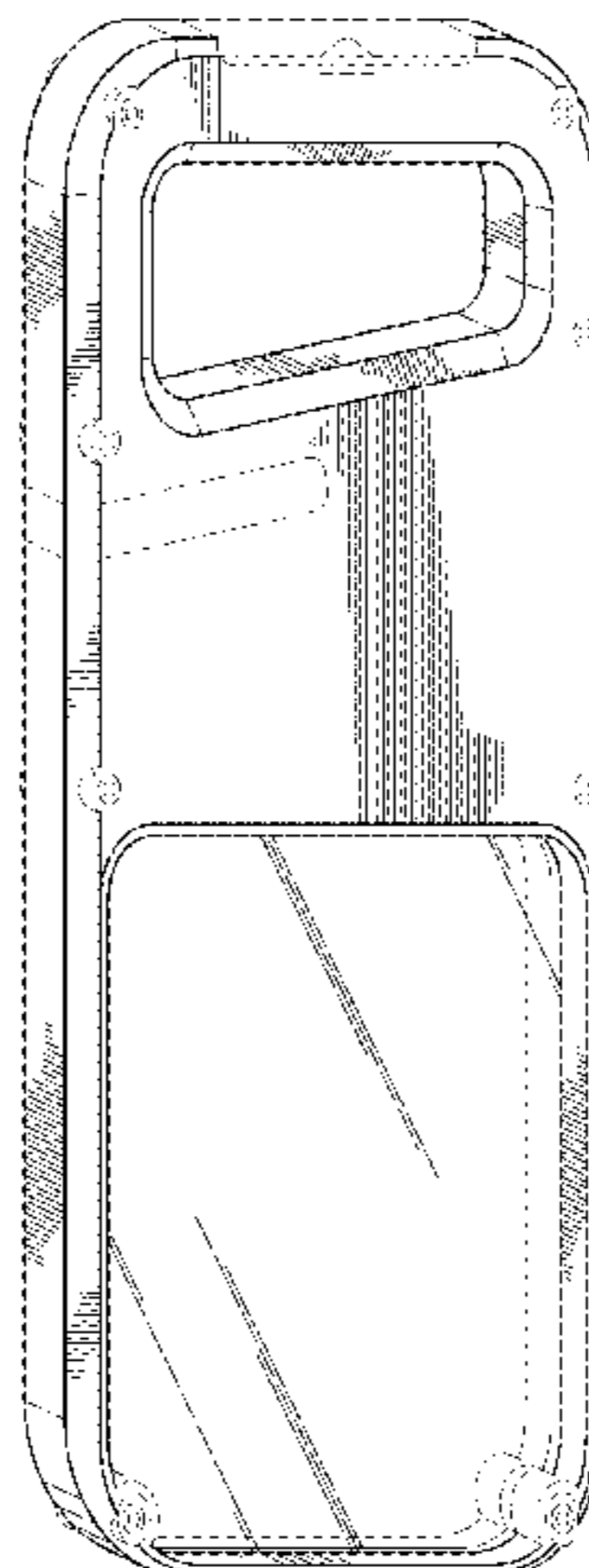
**U.S. PATENT DOCUMENTS**

D448,873 S 10/2001 Dalton et al.  
D469,901 S 2/2003 Dalton et al.  
D477,432 S \* 7/2003 Parsons ..... D26/37  
D549,859 S \* 8/2007 Kovacik ..... D26/37  
D580,078 S \* 11/2008 Lee ..... D26/37  
D586,736 S \* 2/2009 Fowler ..... D13/102  
D602,186 S \* 10/2009 Lee ..... D26/37  
D613,437 S \* 4/2010 Chan ..... D26/38  
D615,676 S \* 5/2010 Lee ..... D26/37  
D619,283 S \* 7/2010 Galli ..... D26/46  
RE41,795 E 10/2010 Dalton et al.  
7,850,331 B2 12/2010 Dalton et al.  
D630,162 S \* 1/2011 Bullen ..... D13/102  
D636,510 S \* 4/2011 Killion ..... D26/46  
D658,121 S \* 4/2012 Martin ..... D13/102  
8,215,792 B2 7/2012 Dalton et al.

**DESCRIPTION**

FIG. 1 is a perspective view of a lantern.  
FIG. 2 is a front view of the lantern of FIG. 1.  
FIG. 3 is a rear view of the lantern of FIG. 1.  
FIG. 4 is a side view of the right side of the lantern of FIG. 1.  
FIG. 5 is a side view of the left side of the lantern of FIG. 1.  
FIG. 6 is a top view of the lantern of FIG. 1; and,  
FIG. 7 is a bottom view of the lantern of FIG. 1.  
The broken lines show unclaimed portions of the article and form no part of the claimed design.

**1 Claim, 5 Drawing Sheets**



(56)

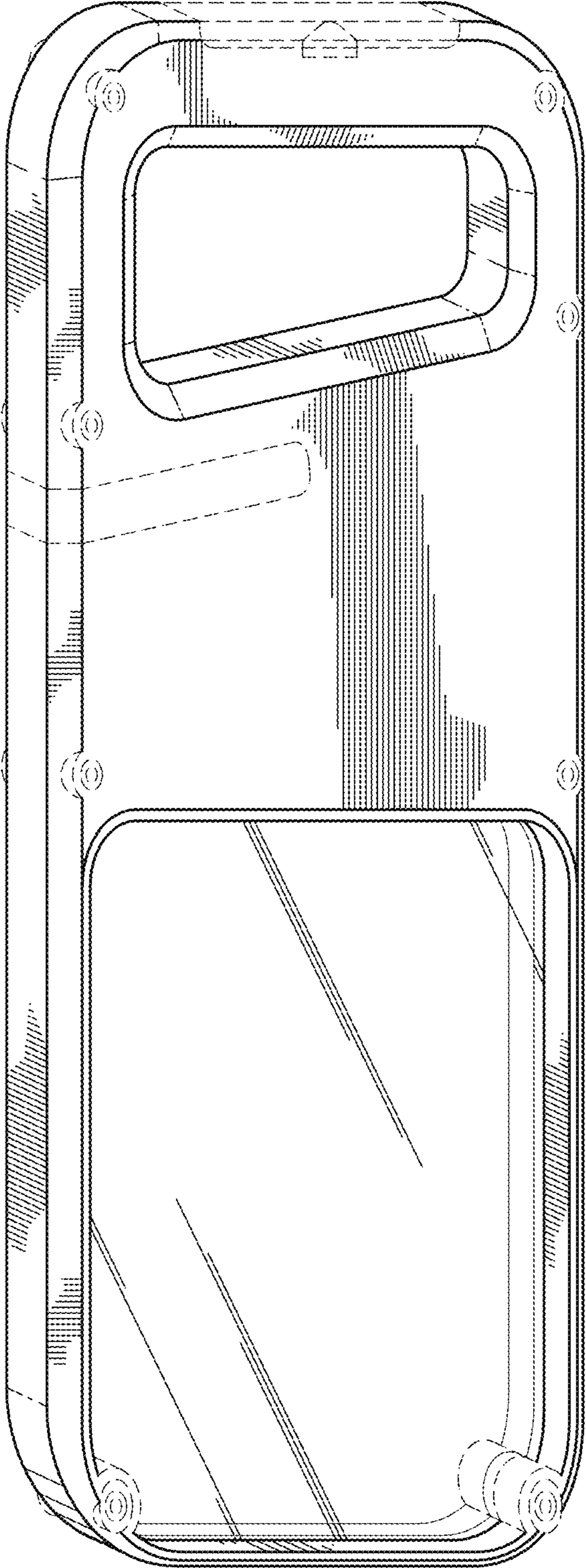
**References Cited**

U.S. PATENT DOCUMENTS

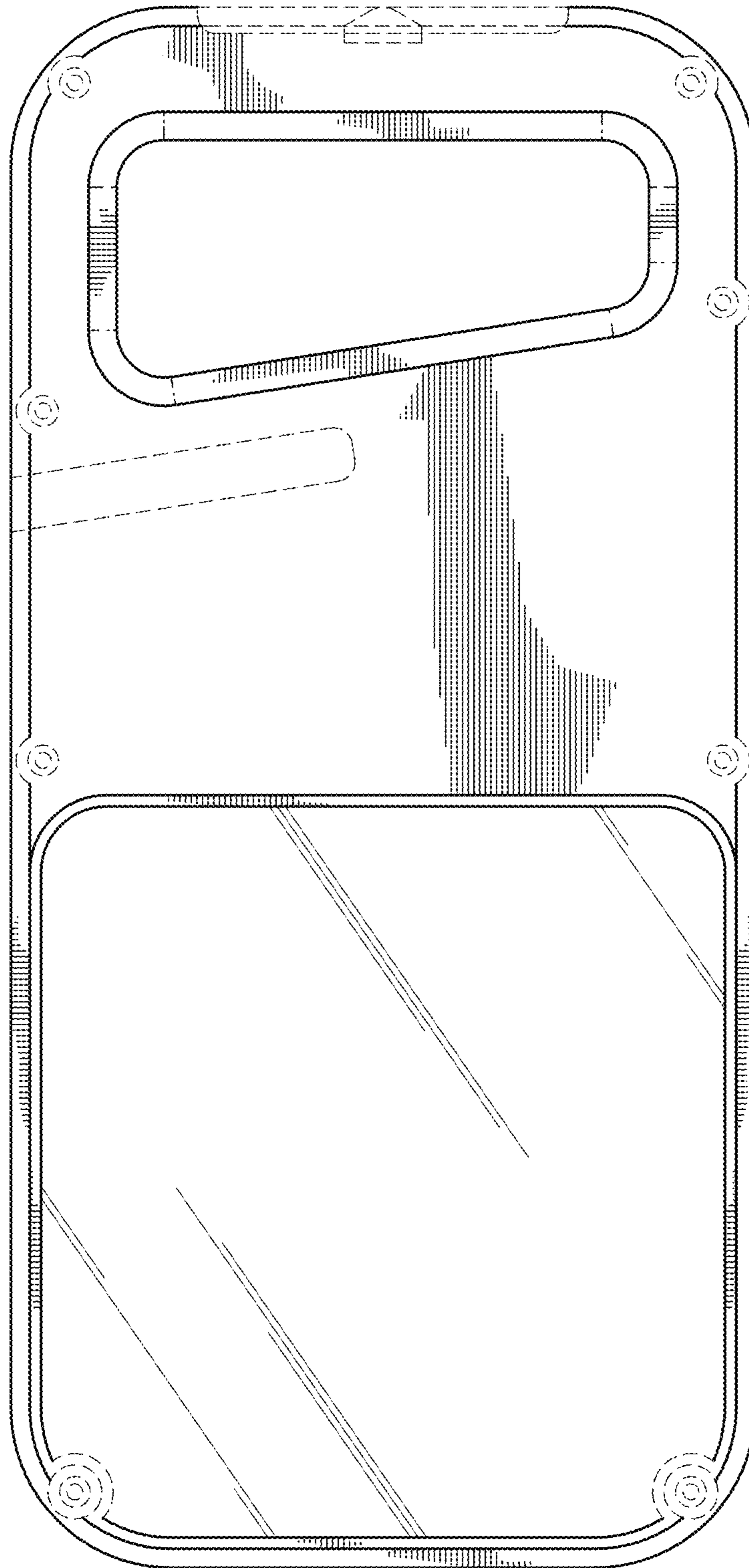
2011/0075405 A1 3/2011 Dalton et al.  
2014/0036485 A1\* 2/2014 Parsons ..... F21L 4/005  
362/183  
2014/0268711 A1\* 9/2014 Lee ..... F21S 9/02  
362/191  
2015/0153011 A1\* 6/2015 Heyer ..... F21L 4/08  
362/190  
2015/0167943 A1\* 6/2015 Rugendyke ..... F21L 4/04  
362/294  
2015/0176782 A1\* 6/2015 McLennan ..... F21V 23/0414  
362/183  
2016/0025325 A1\* 1/2016 Liu ..... A45D 42/04  
362/144  
2016/0209025 A1\* 7/2016 Matthews ..... F21L 4/04  
2016/0223174 A1\* 8/2016 Inscore ..... F21V 23/005  
2016/0230981 A1\* 8/2016 Shoemake ..... H04N 7/142

\* cited by examiner

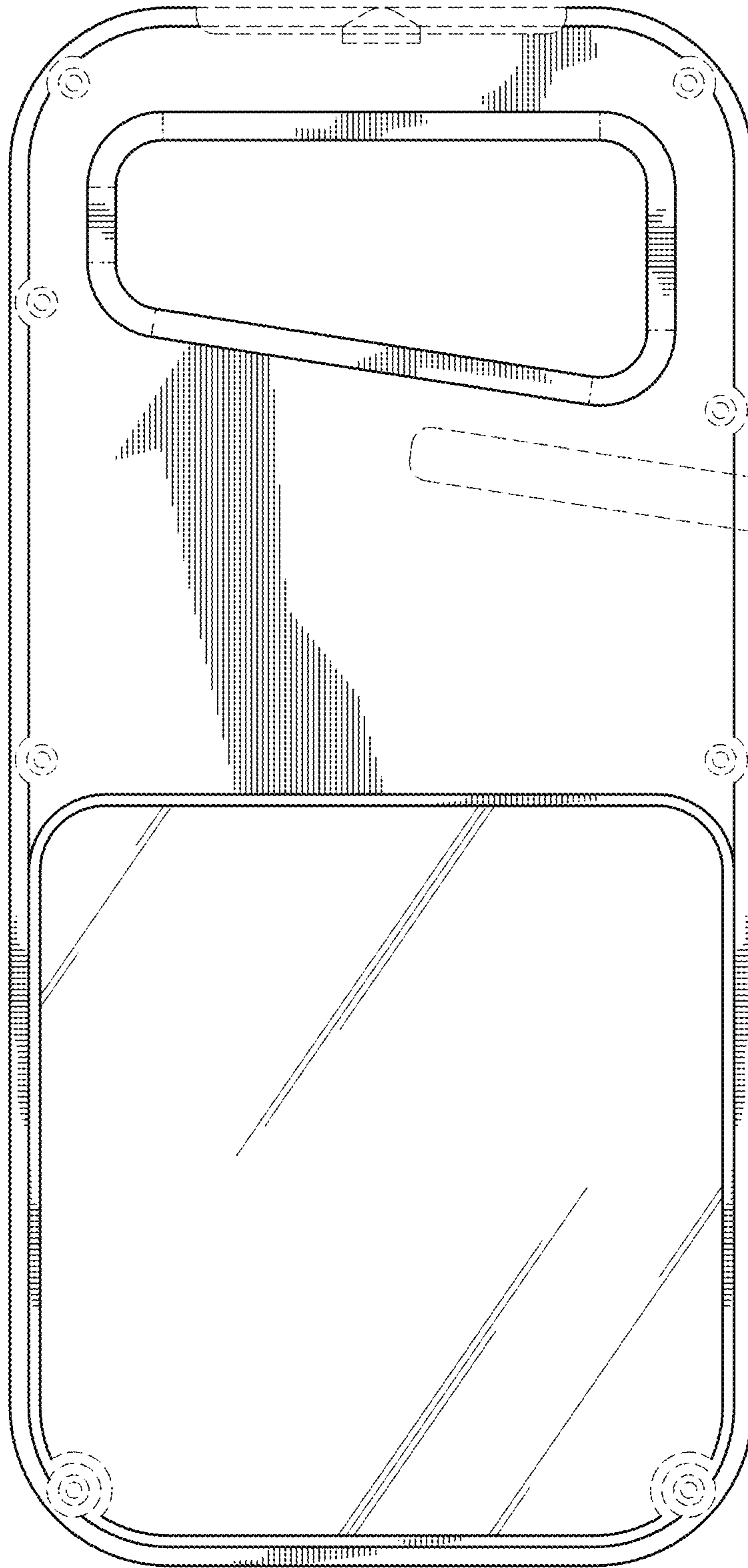
FIG. 1



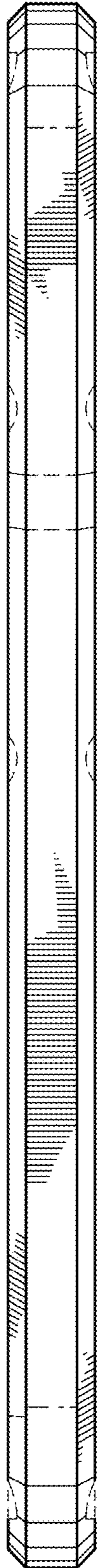
*FIG. 2*



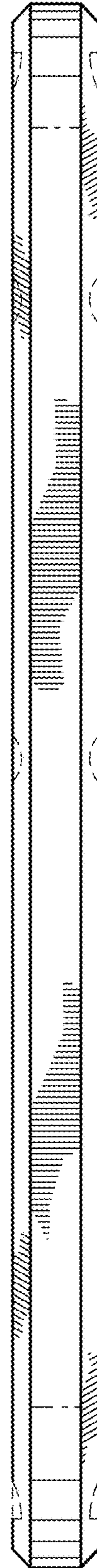
*FIG. 3*

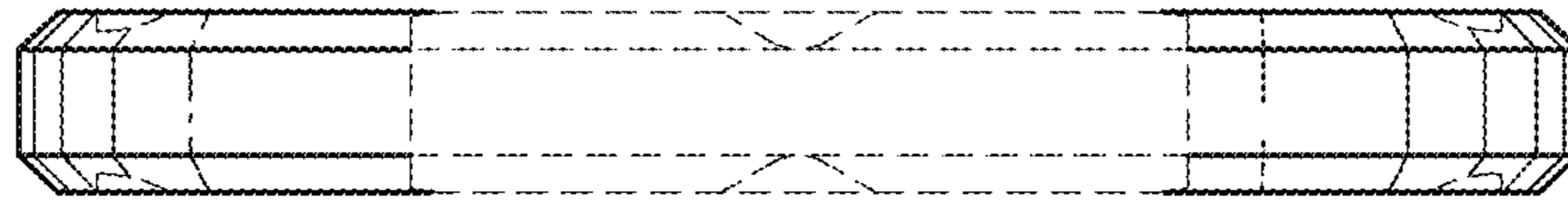


*FIG. 4*

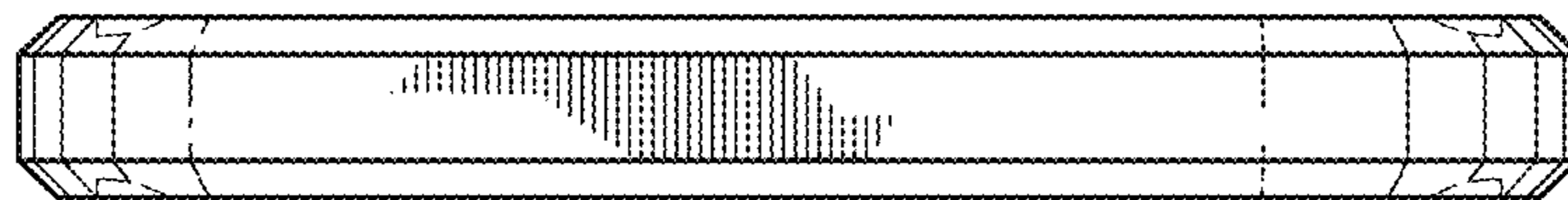


*FIG. 5*





*FIG. 6*



*FIG. 7*