



US00D803439S

(12) **United States Design Patent**  
**Oh et al.**

(10) **Patent No.:** **US D803,439 S**

(45) **Date of Patent:** **\*\* Nov. 21, 2017**

(54) **AUTOMOBILE TAILLIGHT**

(71) Applicant: **KIA MOTORS CORPORATION**,  
Seoul (KR)

(72) Inventors: **Yun-Seok Oh**, Seoul (KR); **Gwon-Hak Lee**, Bucheon-si (KR); **Young-Min Kim**, Seoul (KR); **Oh-Young Kwon**, Hwaseong-si (KR); **Jae-Hun Lee**, Anyang-si (KR)

(\*\*) Term: **15 Years**

(21) Appl. No.: **35/501,261**

(22) Filed: **Jun. 3, 2016**

(80) **Hague Agreement Data**

Int. Filing Date: **Jun. 3, 2016**  
Int. Reg. No.: **DM/091535**  
Int. Reg. Date: **Jun. 3, 2016**  
Int. Reg. Pub. Date: **Jul. 22, 2016**

(30) **Foreign Application Priority Data**

Jan. 4, 2016 (KR) ..... 30-2016-0000044

(51) **LOC (10) Cl.** ..... **26-07**

(52) **U.S. Cl.**  
USPC ..... **D26/28**

(58) **Field of Classification Search**  
USPC ..... D26/28-36  
CPC ..... F21S 48/00; F21S 48/10; F21S 48/115;  
F21S 48/225; F21S 48/1233; F21S  
48/1266; F21S 48/1388; F21S 48/2268;  
F21V 21/04  
See application file for complete search history.

(56) **References Cited**

**U.S. PATENT DOCUMENTS**

D539,450 S \* 3/2007 Pfeiffer ..... D26/28  
D642,304 S \* 7/2011 Huet ..... D26/28

D646,815 S \* 10/2011 Goplen ..... D26/28  
D686,358 S \* 7/2013 Morgenstern ..... D26/28  
D686,764 S \* 7/2013 Hamilton ..... D26/28  
D686,765 S \* 7/2013 Hamilton ..... D26/28  
D694,440 S \* 11/2013 Johnson ..... D26/28  
D701,993 S \* 4/2014 Wu ..... D26/139  
D708,368 S \* 7/2014 Song ..... D26/28  
D714,475 S \* 9/2014 Osborne ..... D26/28  
D716,979 S \* 11/2014 Selvaag ..... D26/28  
D719,691 S \* 12/2014 Nordmann ..... D26/28  
D739,583 S \* 9/2015 Forsgren ..... D26/28  
D760,412 S \* 6/2016 Andersson Murkett ..... D26/28  
D764,691 S \* 8/2016 Luk ..... D26/28  
D765,286 S \* 8/2016 Lai ..... D26/28  
D768,894 S \* 10/2016 Faghihzadeh ..... D26/28  
D780,966 S \* 3/2017 Binder ..... D26/28  
2004/0202006 A1 \* 10/2004 Pien ..... F21S 48/211  
362/545  
2014/0160779 A1 \* 6/2014 Pusch ..... F21S 48/236  
362/511

\* cited by examiner

*Primary Examiner* — Darlington Ly

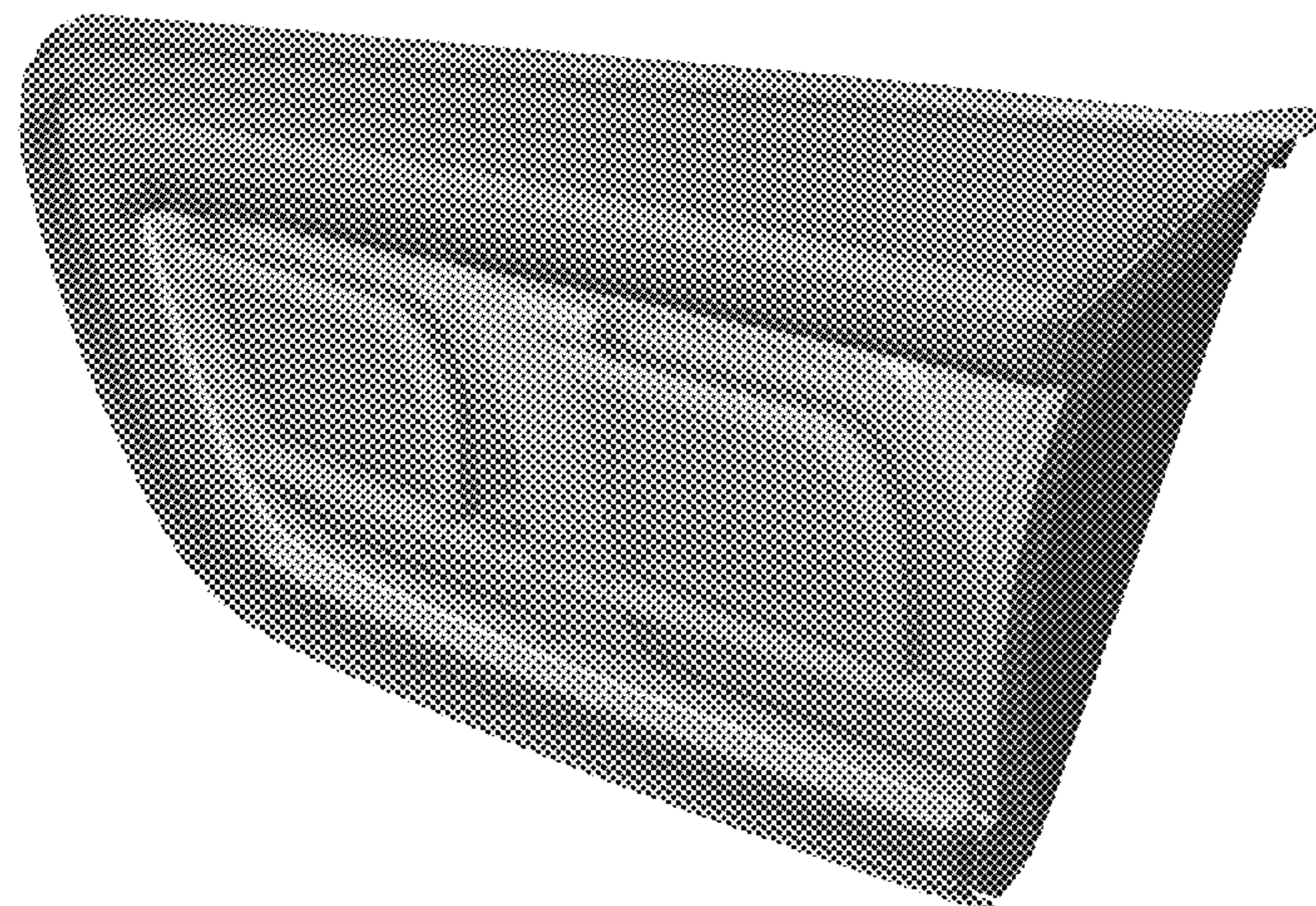
(57) **CLAIM**

The ornamental design for an automobile taillight, as shown and described.

**DESCRIPTION**

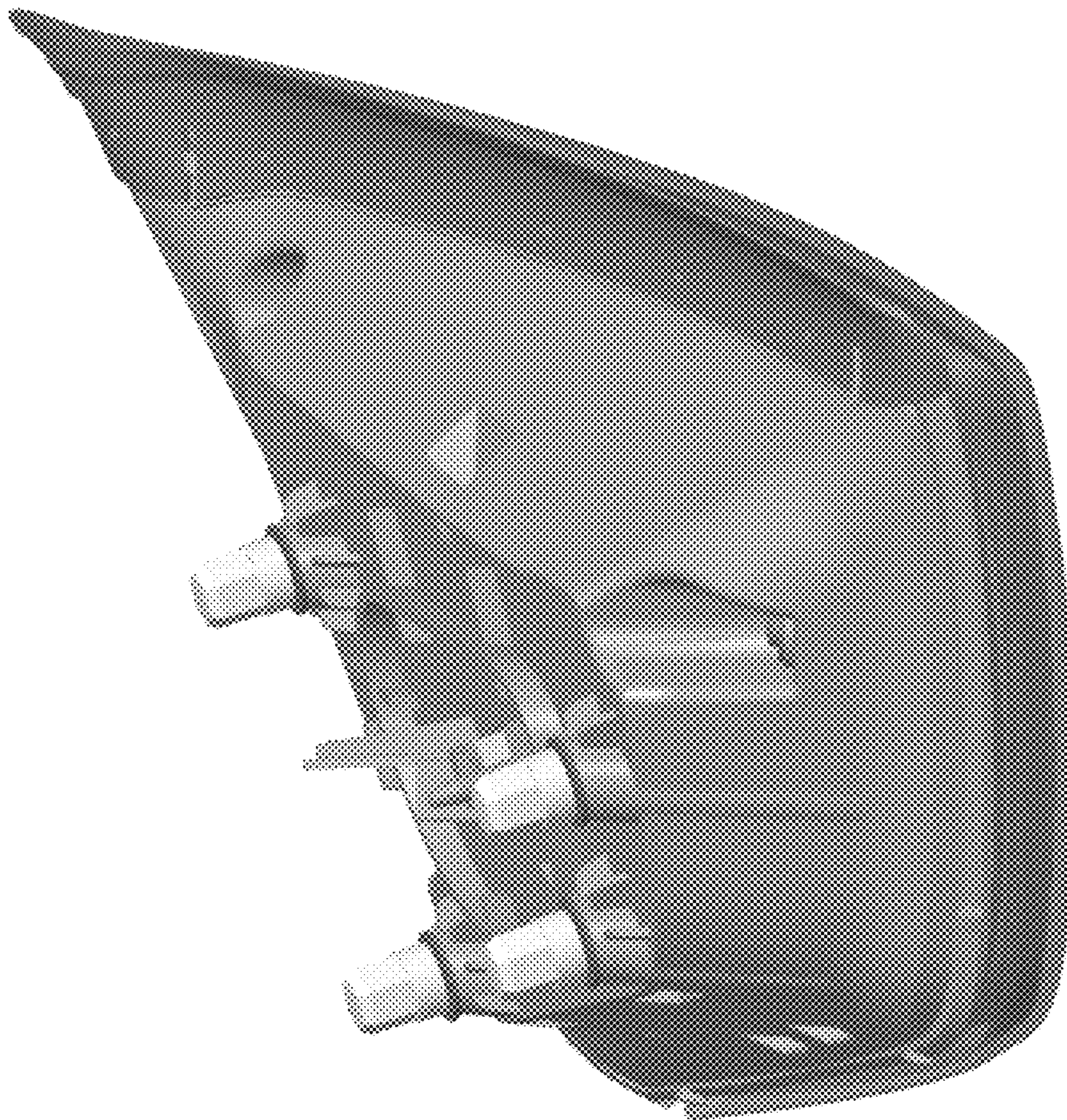
1. Automobile taillight  
**1.1** is a left side elevation view of an automobile taillight showing our new design;  
**1.2** is a right side elevation view thereof;  
**1.3** is a rear elevation view thereof;  
**1.4** is a top plan view thereof;  
**1.5** is a top, front, and right side perspective view thereof;  
**1.6** is a front elevation view thereof; and  
**1.7** is a bottom plan view thereof.

**1 Claim, 7 Drawing Sheets**

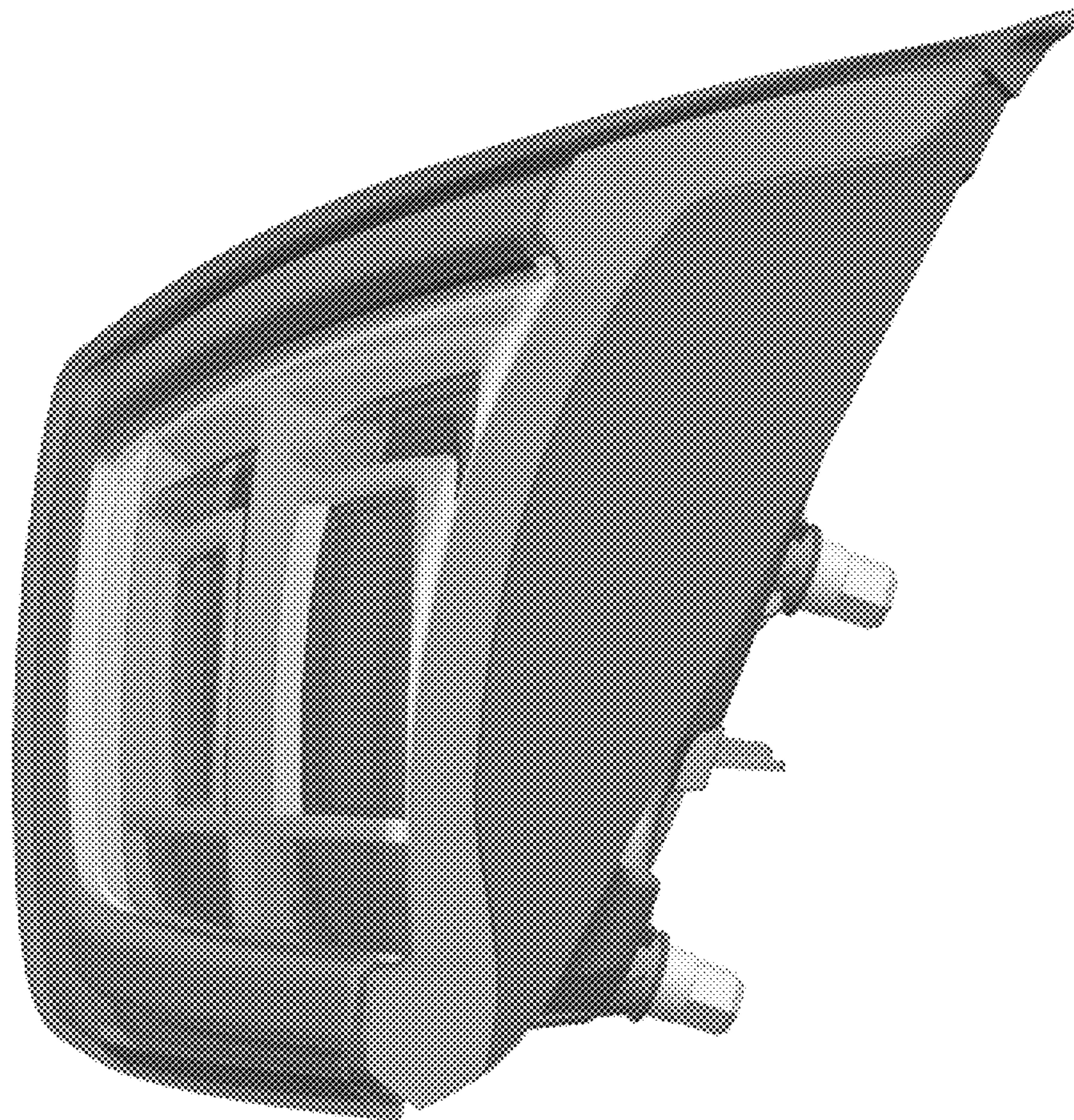




1.1

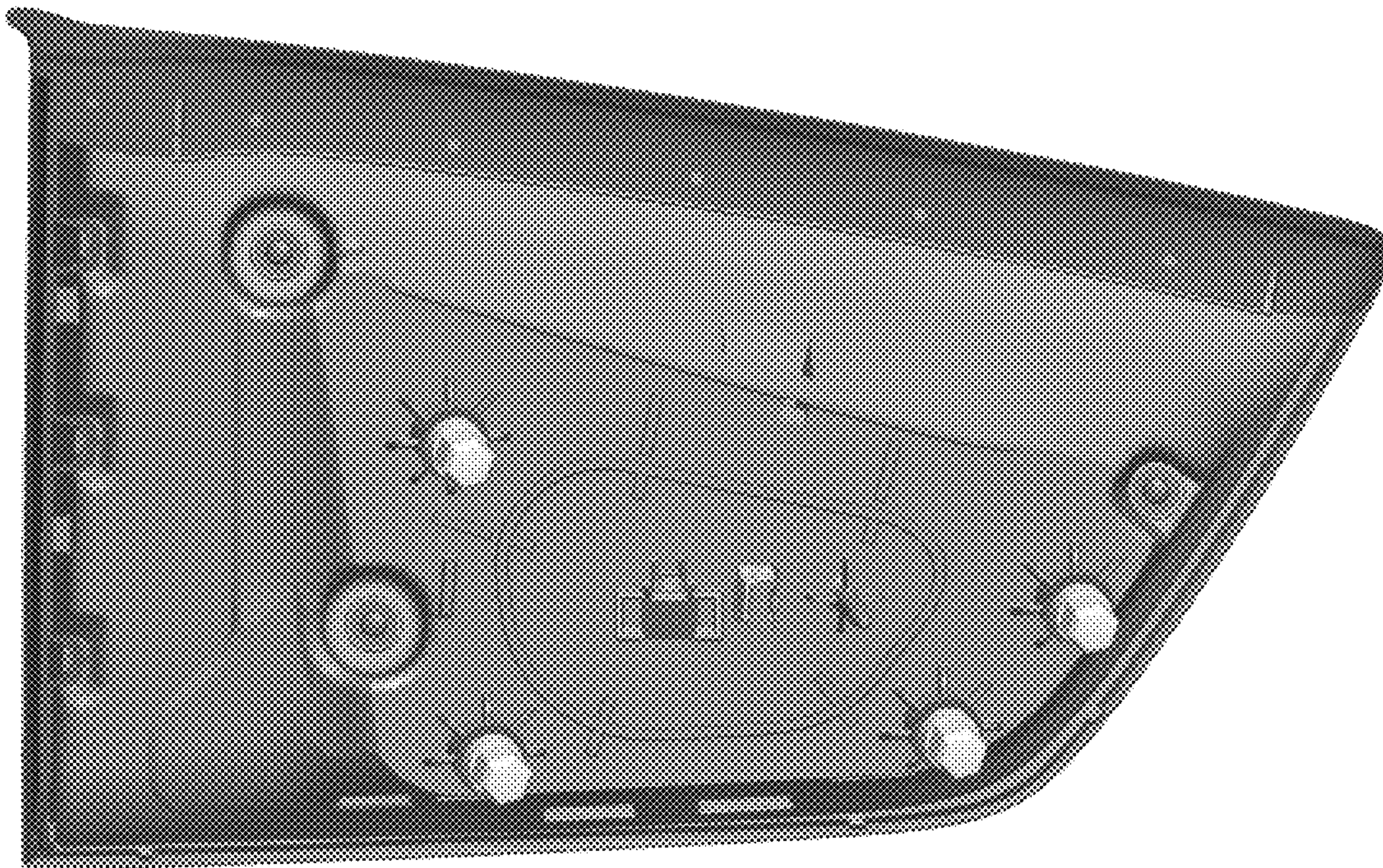


1.2



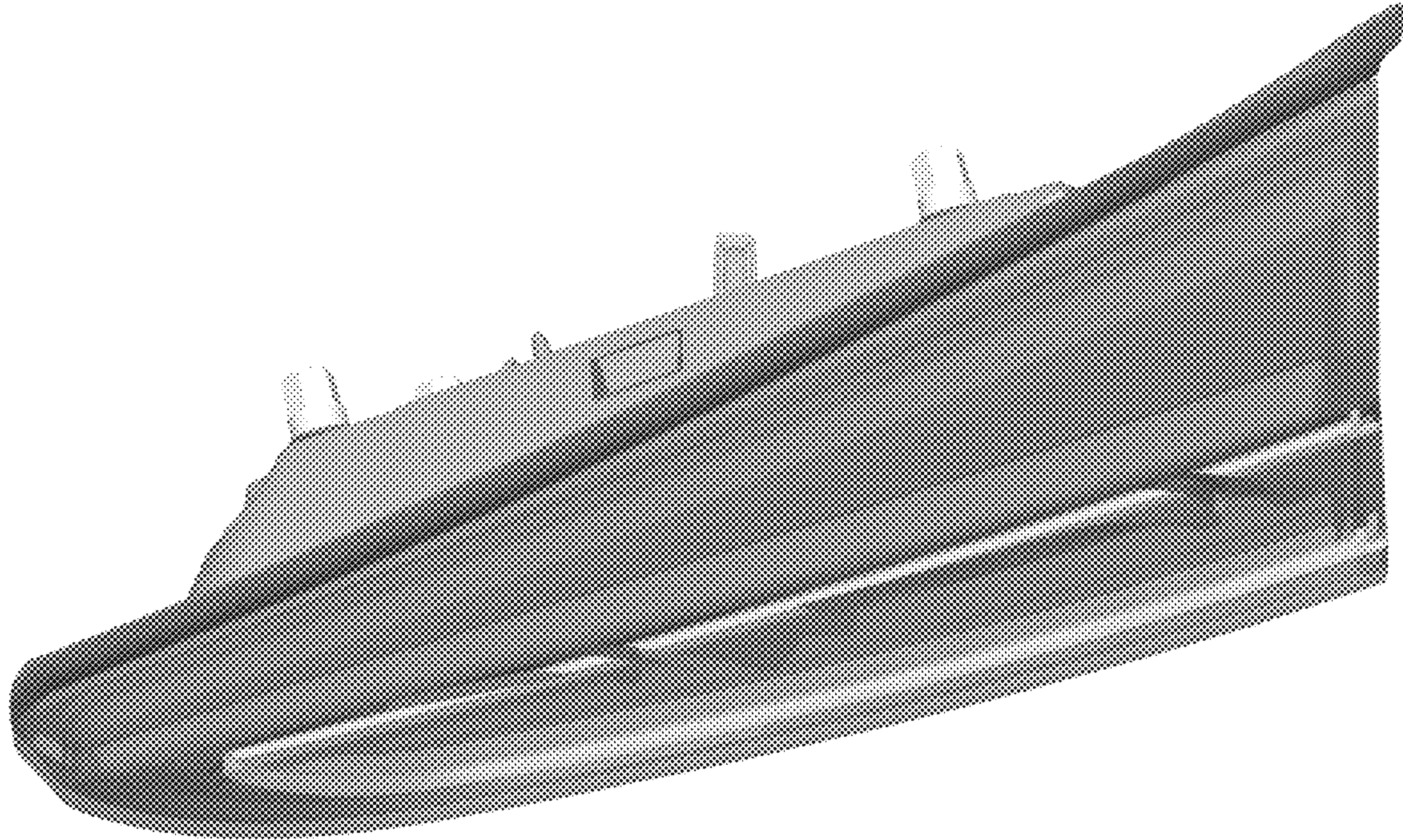


1.3



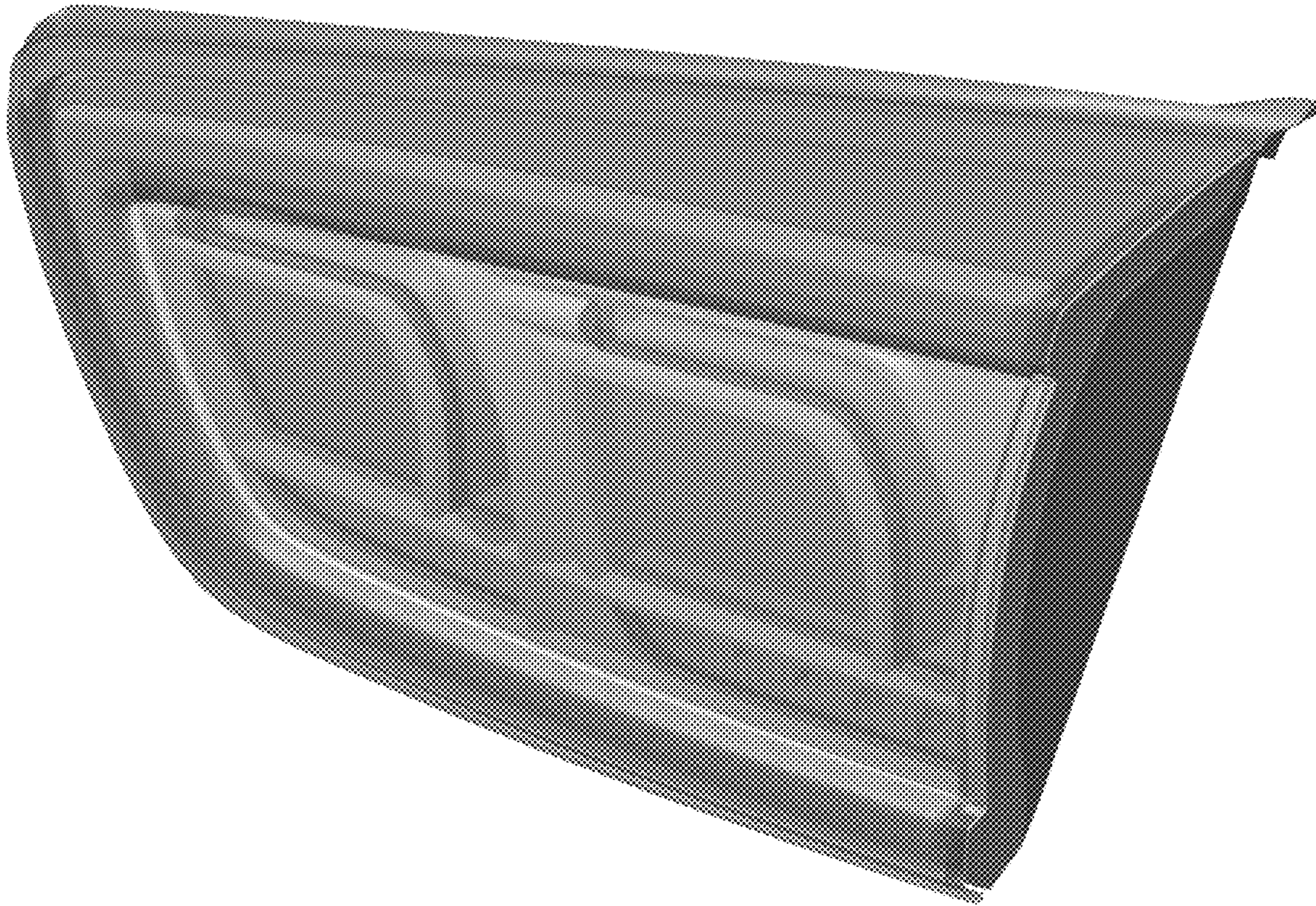


1.4



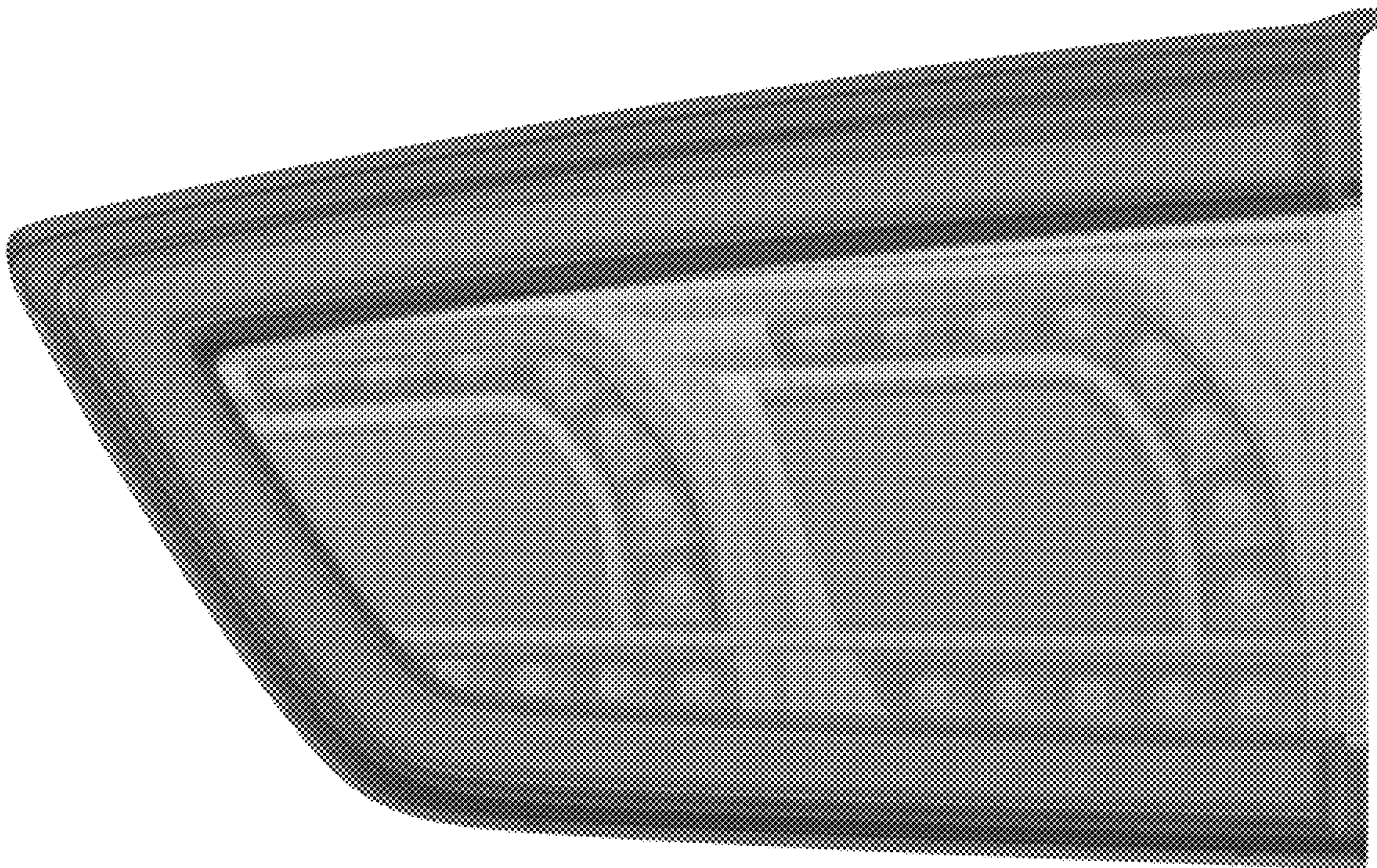


1.5





1.6





1.7

