



US00D803436S

(12) **United States Design Patent** (10) **Patent No.:** **US D803,436 S**
Becker et al. (45) **Date of Patent:** **** Nov. 21, 2017**

(54) **LED BED LIGHT**

(71) Applicant: **Maxton Group, Inc.**, Port Orange, FL (US)

(72) Inventors: **Aaron Becker**, Port Orange, FL (US);
Jason Adang, Port Orange, FL (US)

(**) Term: **15 Years**

(21) Appl. No.: **29/577,255**

(22) Filed: **Sep. 12, 2016**

(51) **LOC (10) Cl.** **26-06**

(52) **U.S. Cl.**
USPC **D26/28**

(58) **Field of Classification Search**
USPC D26/28-36; 362/80-83, 267-269,
362/459-468, 475-478, 485-487
CPC F21S 48/00; F21S 48/10; F21S 48/115;
F21S 48/1233; F21S 48/1266; F21S
48/1388; F21S 48/2268; F21V 21/02;
F21V 21/04

See application file for complete search history.

(56) **References Cited**

U.S. PATENT DOCUMENTS

D411,635 S * 6/1999 Phlipot D26/28
D492,047 S * 6/2004 Dohogne D26/28

D641,092 S * 7/2011 Okuda D26/28
D678,563 S * 3/2013 Liao D26/28
D747,510 S * 1/2016 Okuda D26/28
D770,653 S * 11/2016 Lai D26/28
D772,451 S * 11/2016 Ma D26/28
D773,080 S * 11/2016 Liu D26/28

* cited by examiner

Primary Examiner — Marcus Jackson

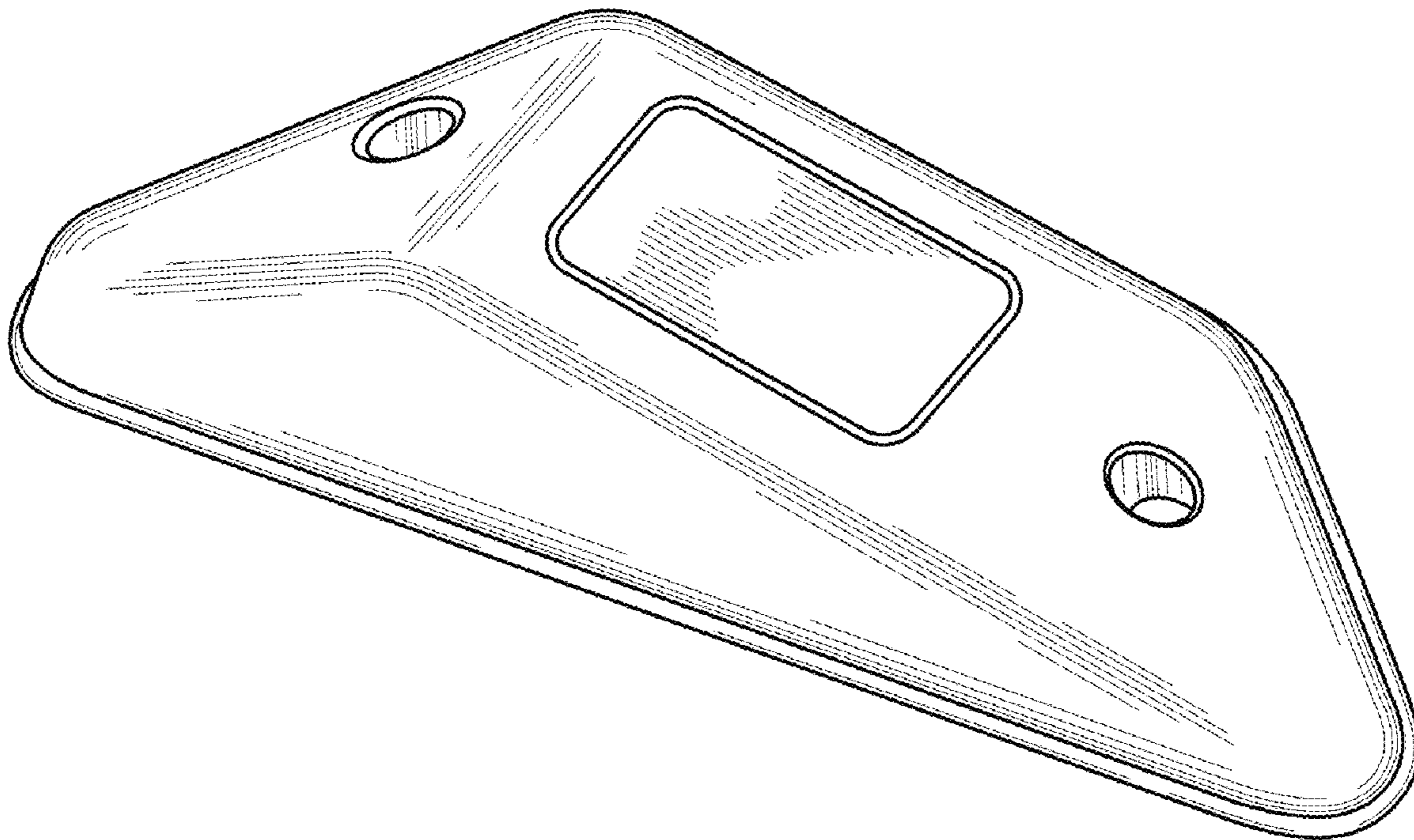
(57) **CLAIM**

The ornamental design for an LED bed light, as shown.

DESCRIPTION

FIG. 1 is a perspective view of an LED bed light;
FIG. 2 is a side view of an LED bed light;
FIG. 3 is an opposite side view of an LED bed light;
FIG. 4 is an end view of an LED bed light;
FIG. 5 is an opposite side end view of an LED bed light;
FIG. 6 is a top plan view of an LED bed light; and,
FIG. 7 is a bottom plan view of an LED bed light.
The broken lines are shown for illustrative purposes only
and form no part of the claimed invention.

1 Claim, 3 Drawing Sheets



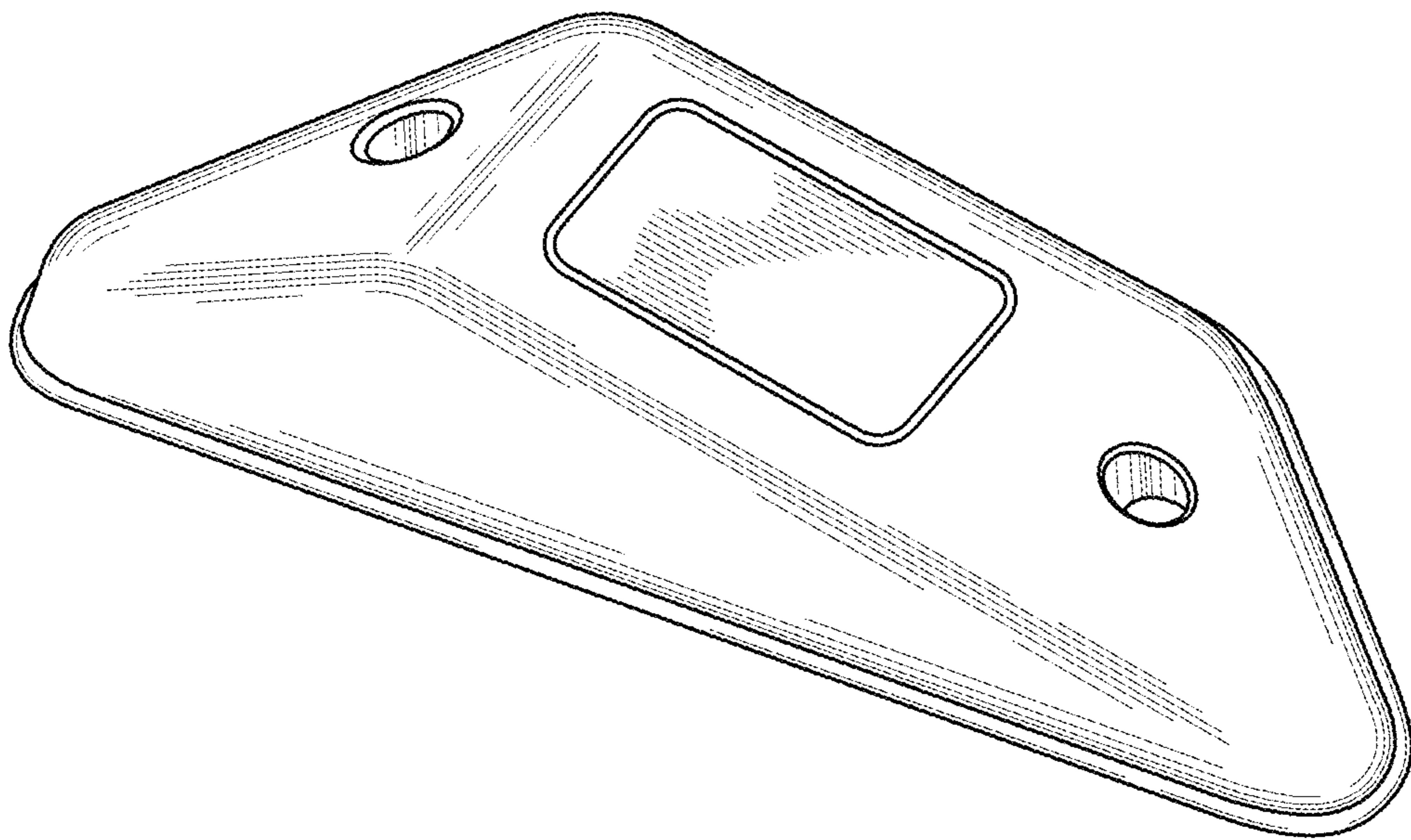


Fig. 1

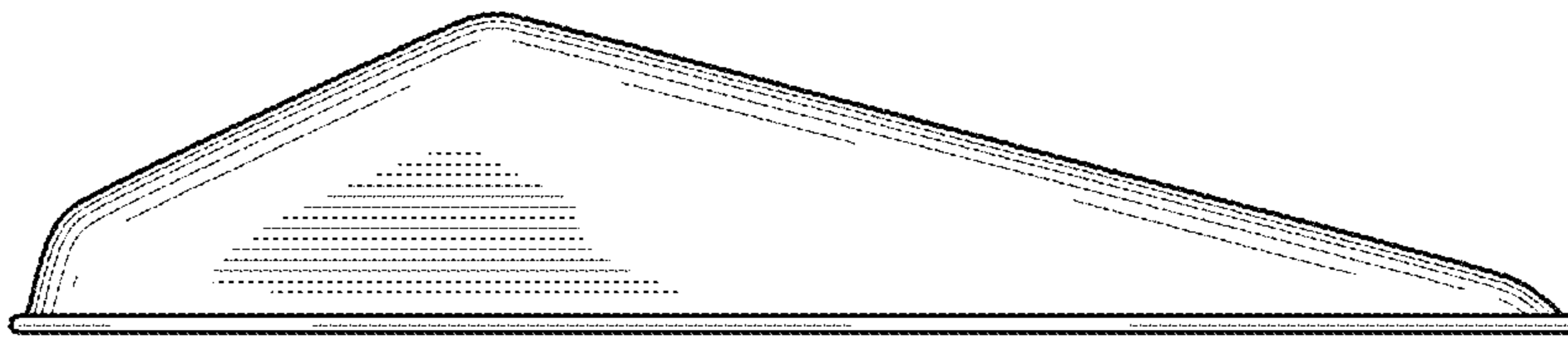


Fig. 2

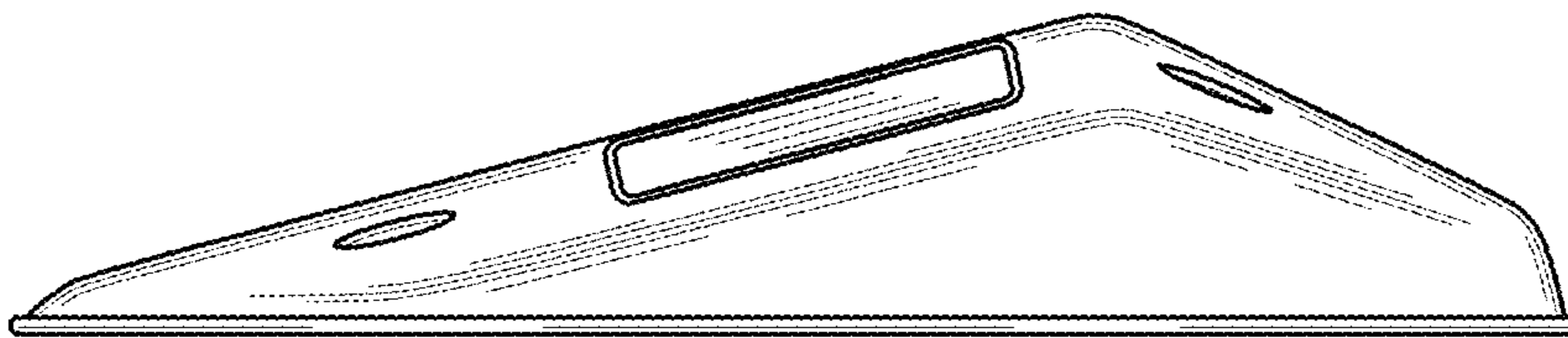


Fig. 3

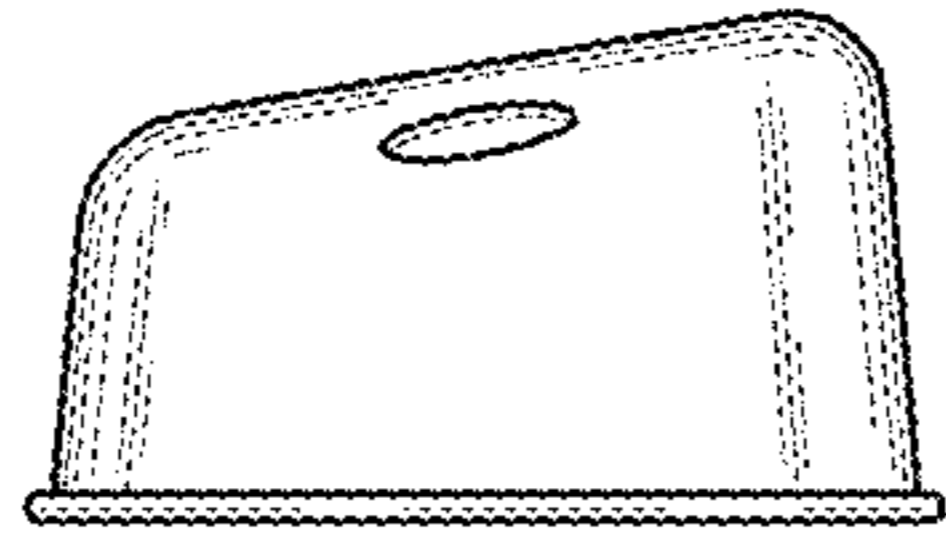


Fig. 4

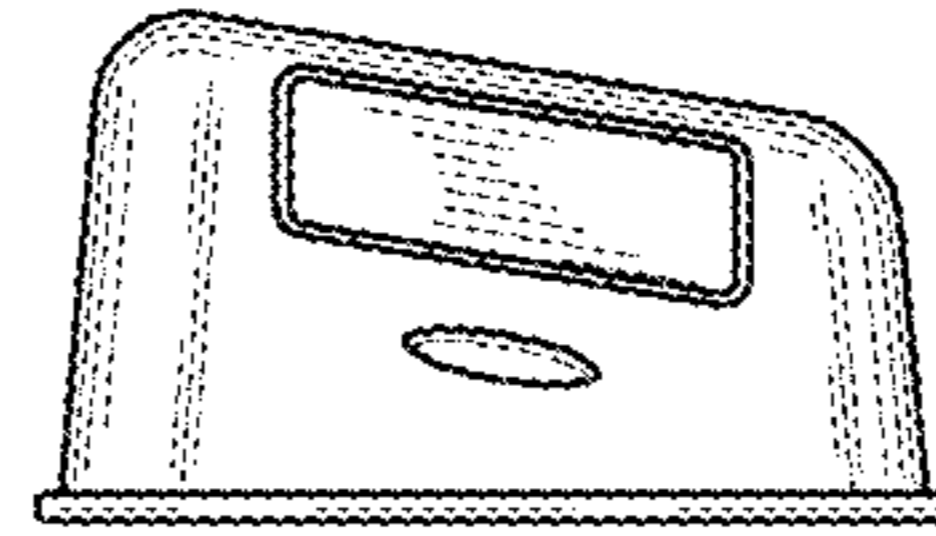


Fig. 5

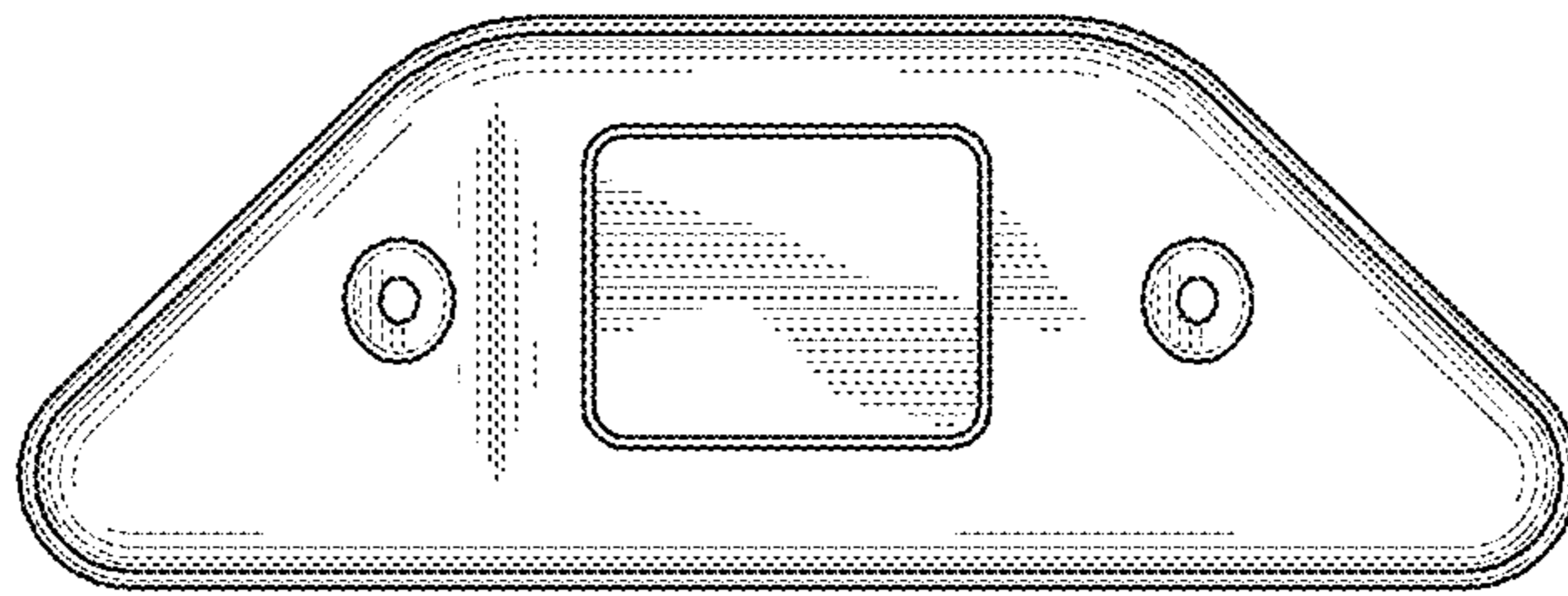


Fig. 6

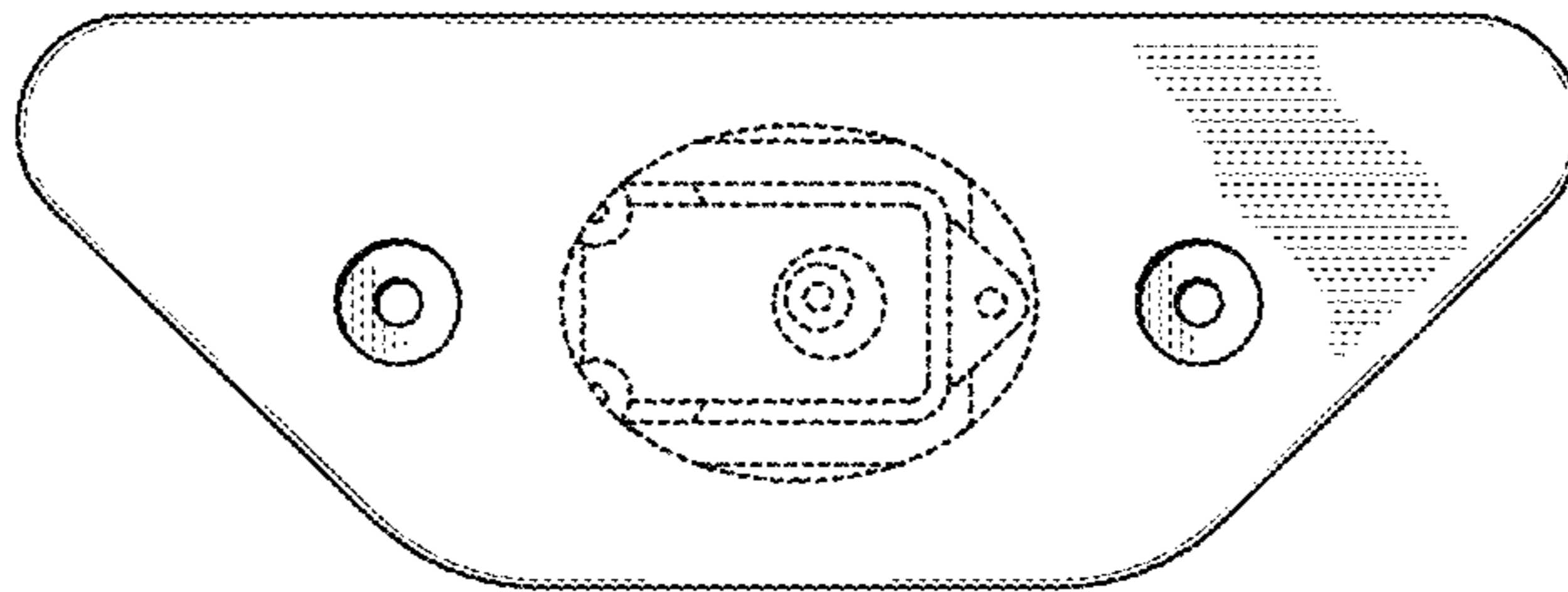


Fig. 7