



US00D803433S

(12) **United States Design Patent**
Yang

(10) **Patent No.:** **US D803,433 S**

(45) **Date of Patent:** **** Nov. 21, 2017**

(54) **HEADLAMP FOR AN AUTOMOBILE**
(71) Applicant: **GM GLOBAL TECHNOLOGY OPERATIONS LLC**, Detroit, MI (US)
(72) Inventor: **Hoiwoong Yang**, Incheon (KR)
(73) Assignee: **GM GLOBAL TECHNOLOGY OPERATIONS LLC**, Detroit, MI (US)

D720,870 S * 1/2015 Lim D26/28
D721,196 S * 1/2015 Lai D26/28
D739,578 S * 9/2015 Han D26/28
D744,129 S * 11/2015 Futschik D26/28
D745,726 S * 12/2015 McMahan D26/28
D747,512 S * 1/2016 Lai D26/28
D752,254 S * 3/2016 Futschik D26/28
D752,255 S * 3/2016 Futschik D26/28

* cited by examiner

(**) Term: **15 Years**

Primary Examiner — Marcus Jackson

(21) Appl. No.: **29/572,514**

(74) *Attorney, Agent, or Firm* — Browdy and Neimark, PLLC

(22) Filed: **Jul. 28, 2016**

(30) **Foreign Application Priority Data**

Feb. 12, 2016 (KR) 30-2016-0006599

(51) **LOC (10) Cl.** **26-06**

(52) **U.S. Cl.**
USPC **D26/28**

(58) **Field of Classification Search**
USPC D26/28-36; 362/80-83, 267-269, 362/459-468, 475-478, 485-487
CPC F21S 48/00; F21S 48/10; F21S 48/115; F21S 48/1233; F21S 48/1266; F21S 48/1388; F21S 48/2268; F21V 21/04
See application file for complete search history.

(56) **References Cited**

U.S. PATENT DOCUMENTS

D674,940 S * 1/2013 Lai D26/28
D689,222 S * 9/2013 Lai D26/28

(57) **CLAIM**

The ornamental design for a headlamp for an automobile, as shown and described.

DESCRIPTION

FIG. 1 is a perspective view of new design for the right headlamp for an automobile as shown in the drawings (the left headlamp for an automobile being a mirror image and is not shown);
FIG. 2 is a front elevation view thereof;
FIG. 3 is a rear elevation view thereof;
FIG. 4 is a left side elevation view thereof;
FIG. 5 is a right side elevation view thereof;
FIG. 6 is a top plan view thereof; and,
FIG. 7 is a bottom plan view thereof.

1 Claim, 5 Drawing Sheets



Fig. 1

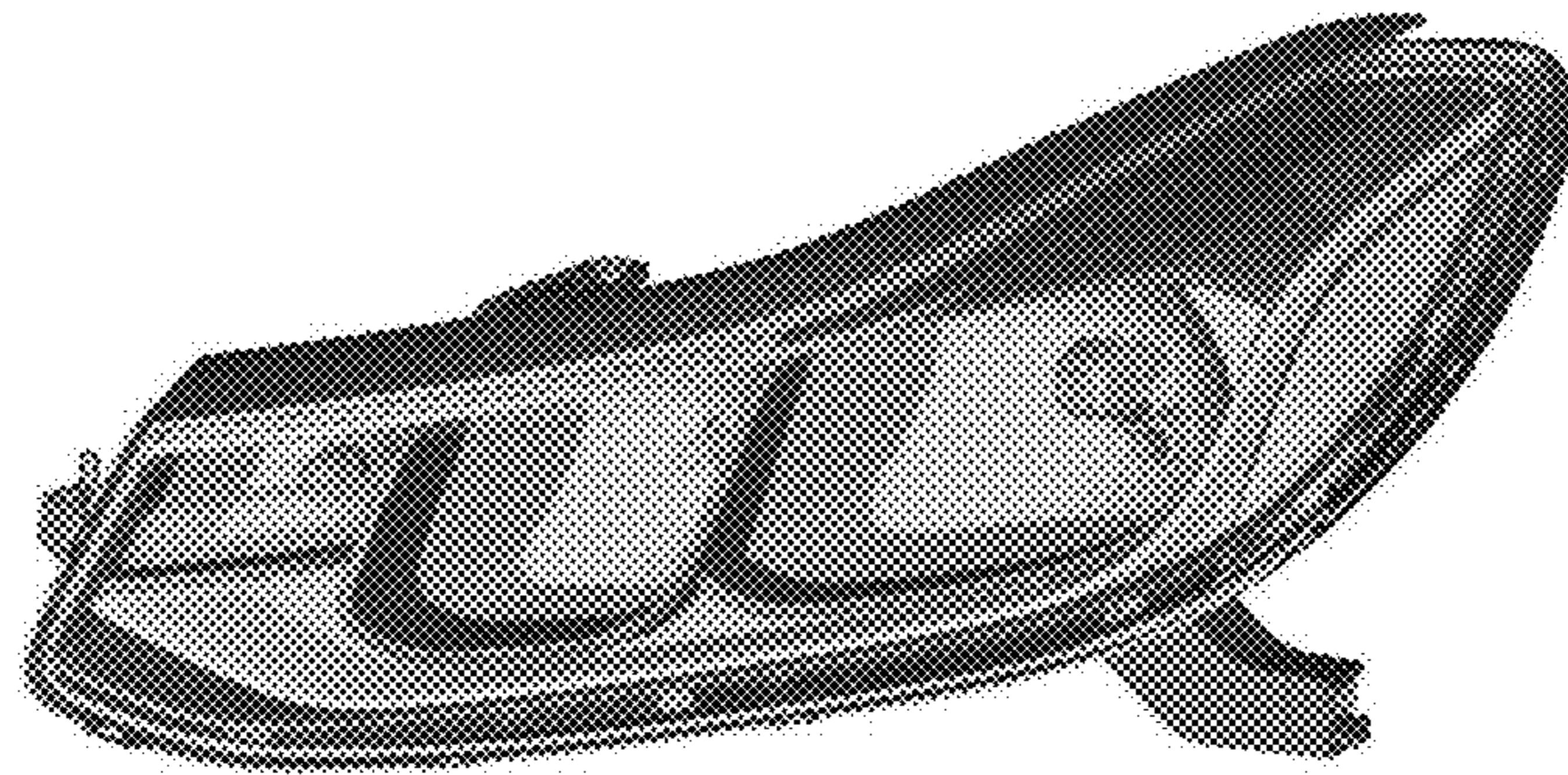


Fig. 2

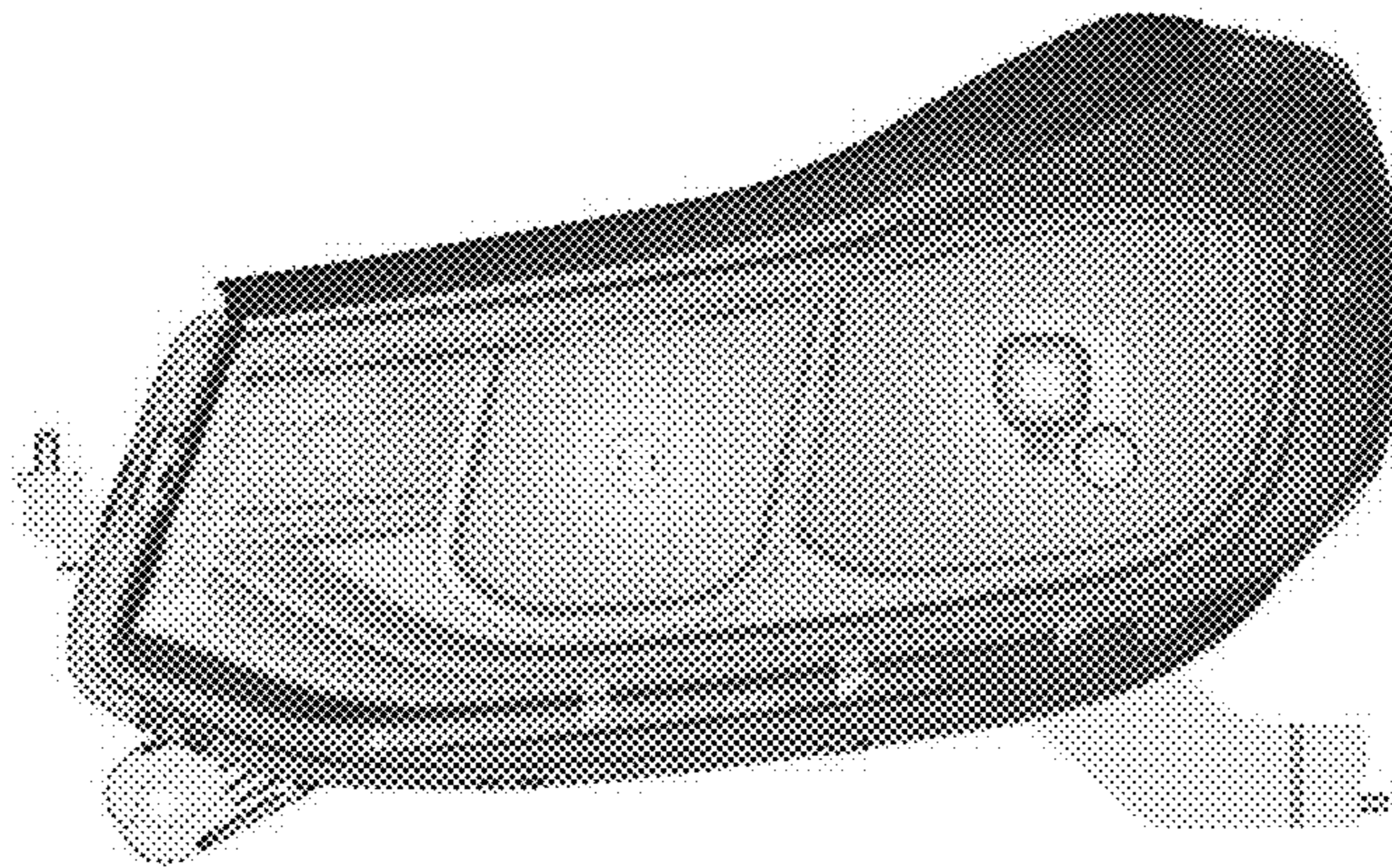


Fig. 3

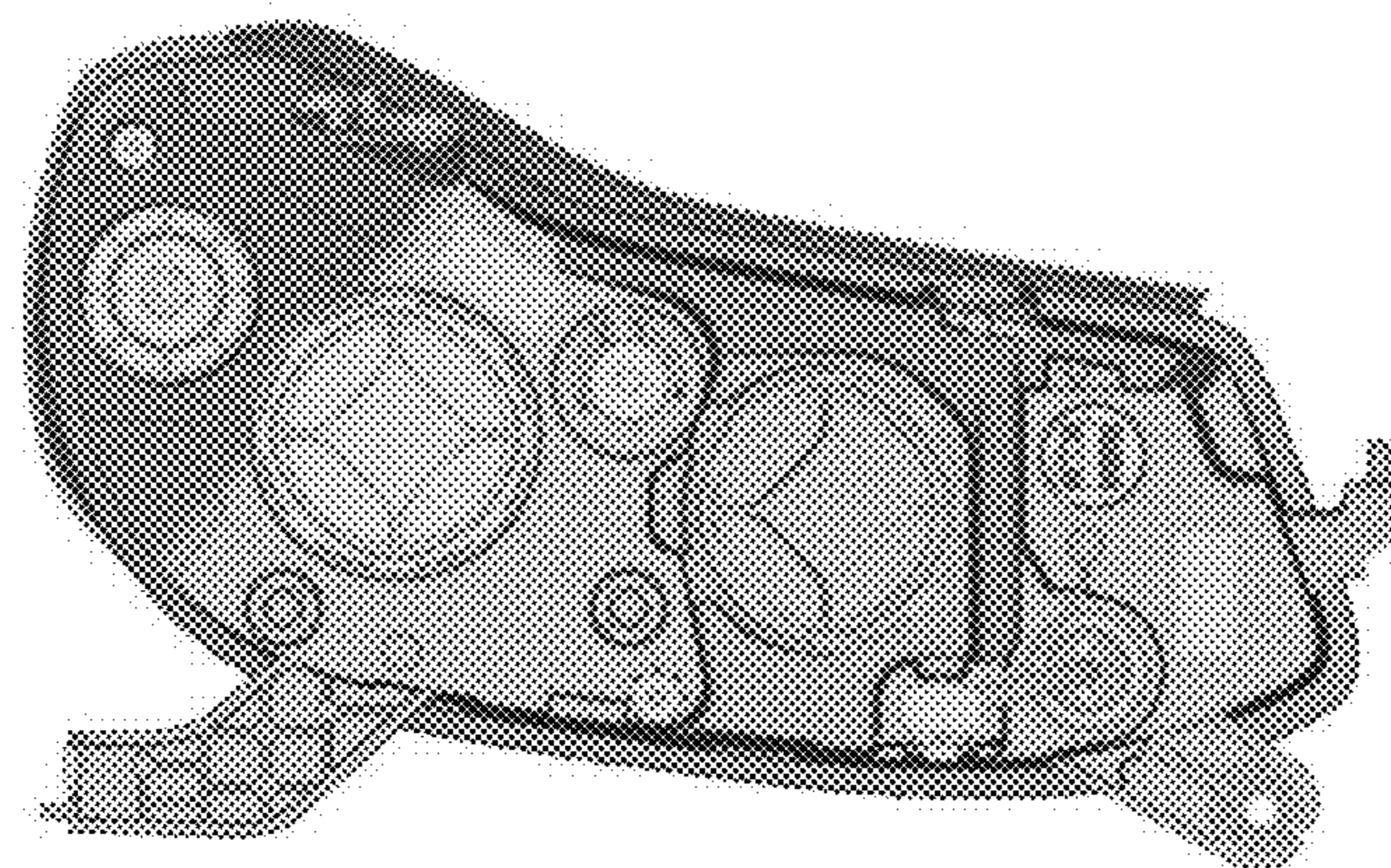


Fig. 4

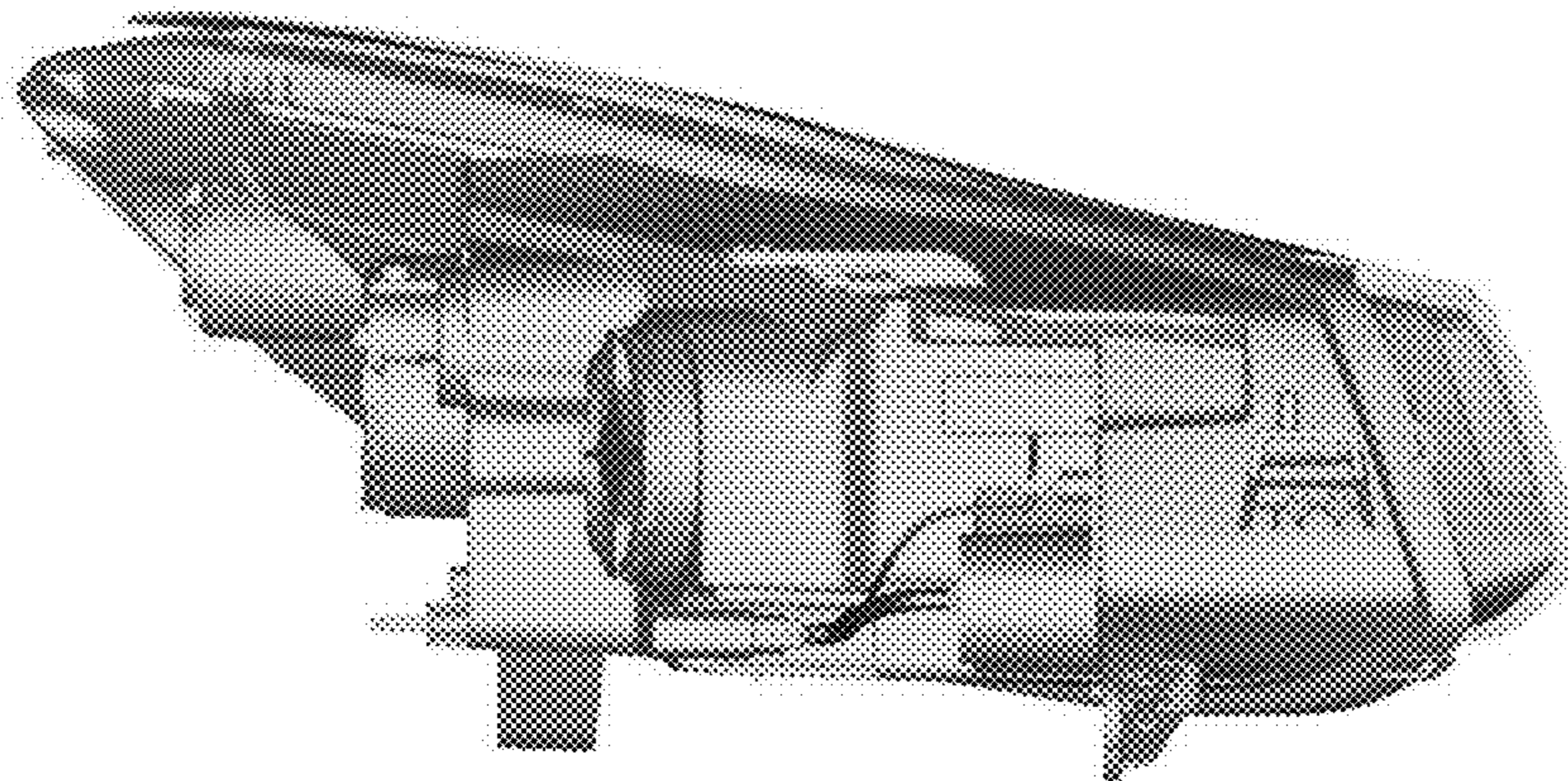


Fig. 5

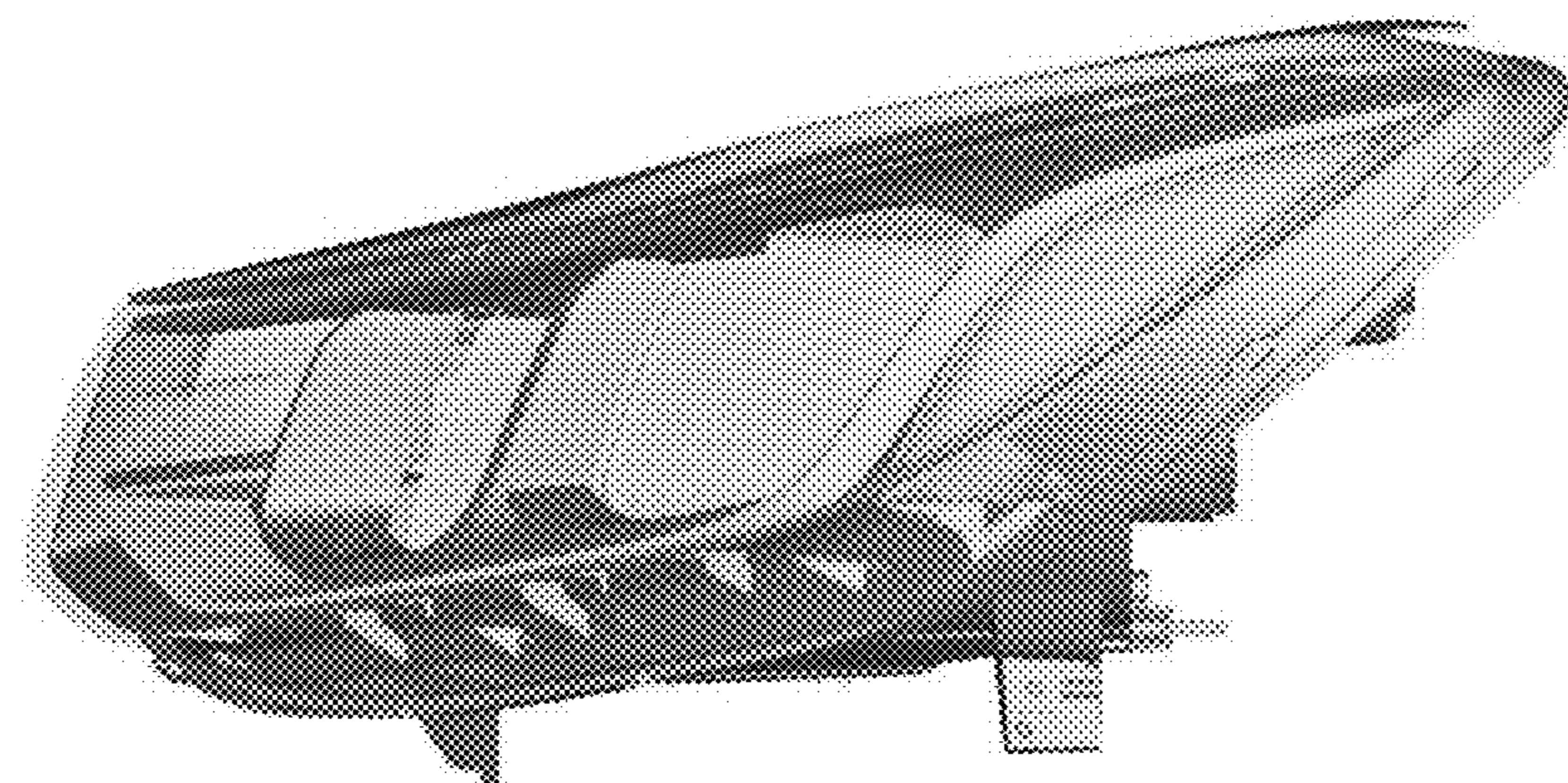


Fig. 6

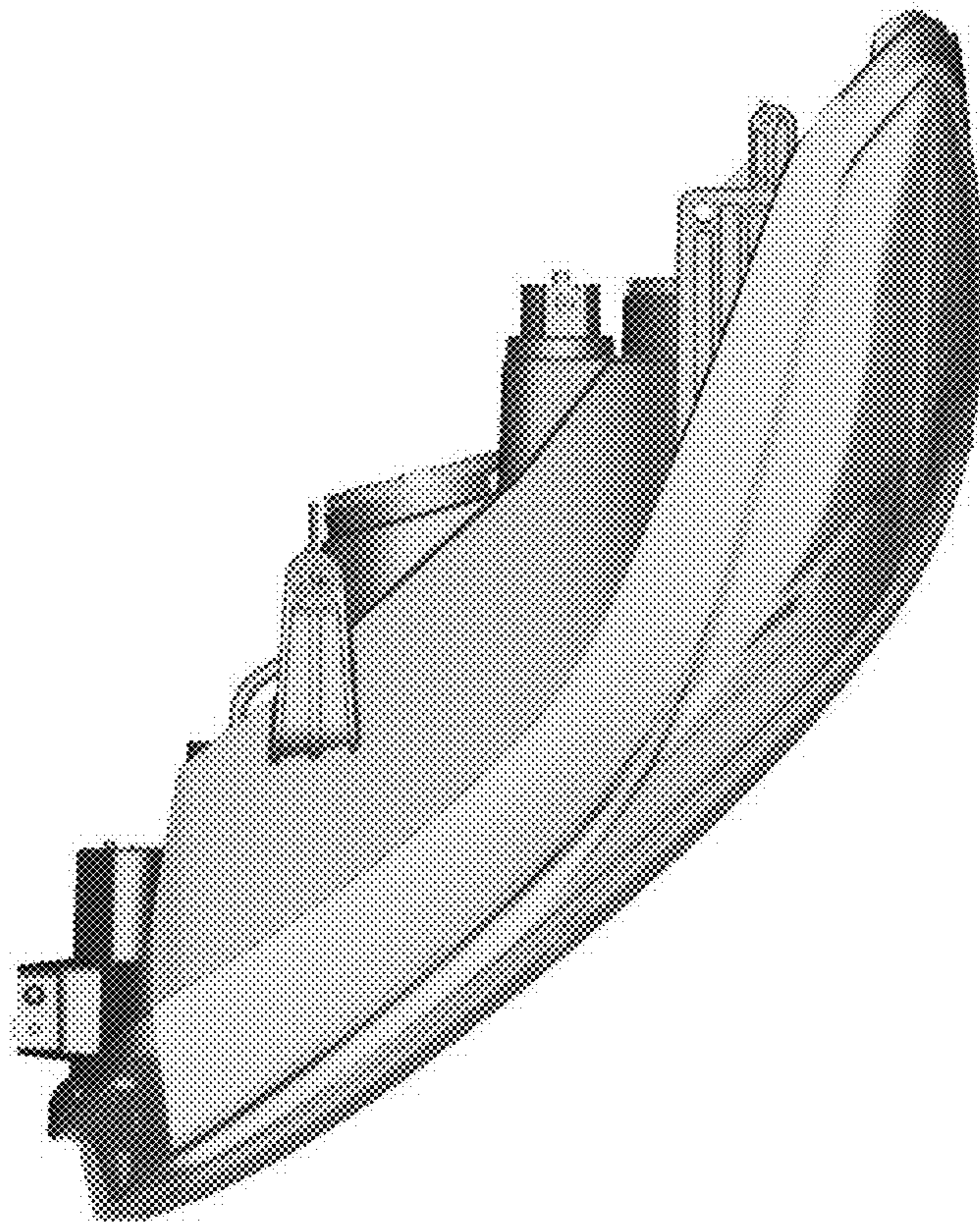


Fig. 7

