



US00D803432S

(12) **United States Design Patent**
Choi

(10) **Patent No.:** **US D803,432 S**

(45) **Date of Patent:** **** Nov. 21, 2017**

(54) **HEADLAMP FOR AN AUTOMOBILE**
(71) Applicant: **GM GLOBAL TECHNOLOGY OPERATIONS LLC**, Detroit, MI (US)

D721,196 S * 1/2015 Lai D26/28
D740,978 S * 10/2015 Lee D26/28
D749,763 S * 2/2016 Sa D26/28
D760,413 S * 6/2016 Shim D26/28
D761,981 S * 7/2016 Tsutamori D26/28

(72) Inventor: **Jinchun Choi**, Hwaseong-si (KR)
(73) Assignee: **GM GLOBAL TECHNOLOGY OPERATIONS LLC**, Detroit, MI (US)

* cited by examiner

(**) Term: **15 Years**

Primary Examiner — Marcus Jackson
(74) *Attorney, Agent, or Firm* — Browdy and Neimark, PLLC

(21) Appl. No.: **29/572,476**

(57) **CLAIM**

(22) Filed: **Jul. 28, 2016**

The ornamental design for a headlamp for an automobile, as shown and described.

(30) **Foreign Application Priority Data**

Feb. 4, 2016 (KR) 30-2016-0005698

(51) **LOC (10) Cl.** **26-06**

(52) **U.S. Cl.**
USPC **D26/28**

(58) **Field of Classification Search**
USPC D26/28-36; 362/80-83, 267-269, 362/459-468, 475-478, 485-487
CPC F21S 48/00; F21S 48/10; F21S 48/115; F21S 48/1233; F21S 48/1266; F21S 48/1388; F21S 48/2268; F21V 21/04
See application file for complete search history.

DESCRIPTION

FIG. 1 is a perspective view of new design for a headlamp for an automobile as shown in the drawings;
FIG. 2 is a front elevation view of the headlamp for an automobile;
FIG. 3 is a rear elevation view of the headlamp for an automobile;
FIG. 4 is a left side view of the headlamp for an automobile;
FIG. 5 is a right side view of the headlamp for an automobile;
FIG. 6 is a top plan view of the headlamp for an automobile; and,
FIG. 7 is a bottom plan view of the headlamp for an automobile.

(56) **References Cited**

U.S. PATENT DOCUMENTS

D593,233 S * 5/2009 Bai D26/28
D686,356 S * 7/2013 Morgenstern D26/28

1 Claim, 7 Drawing Sheets

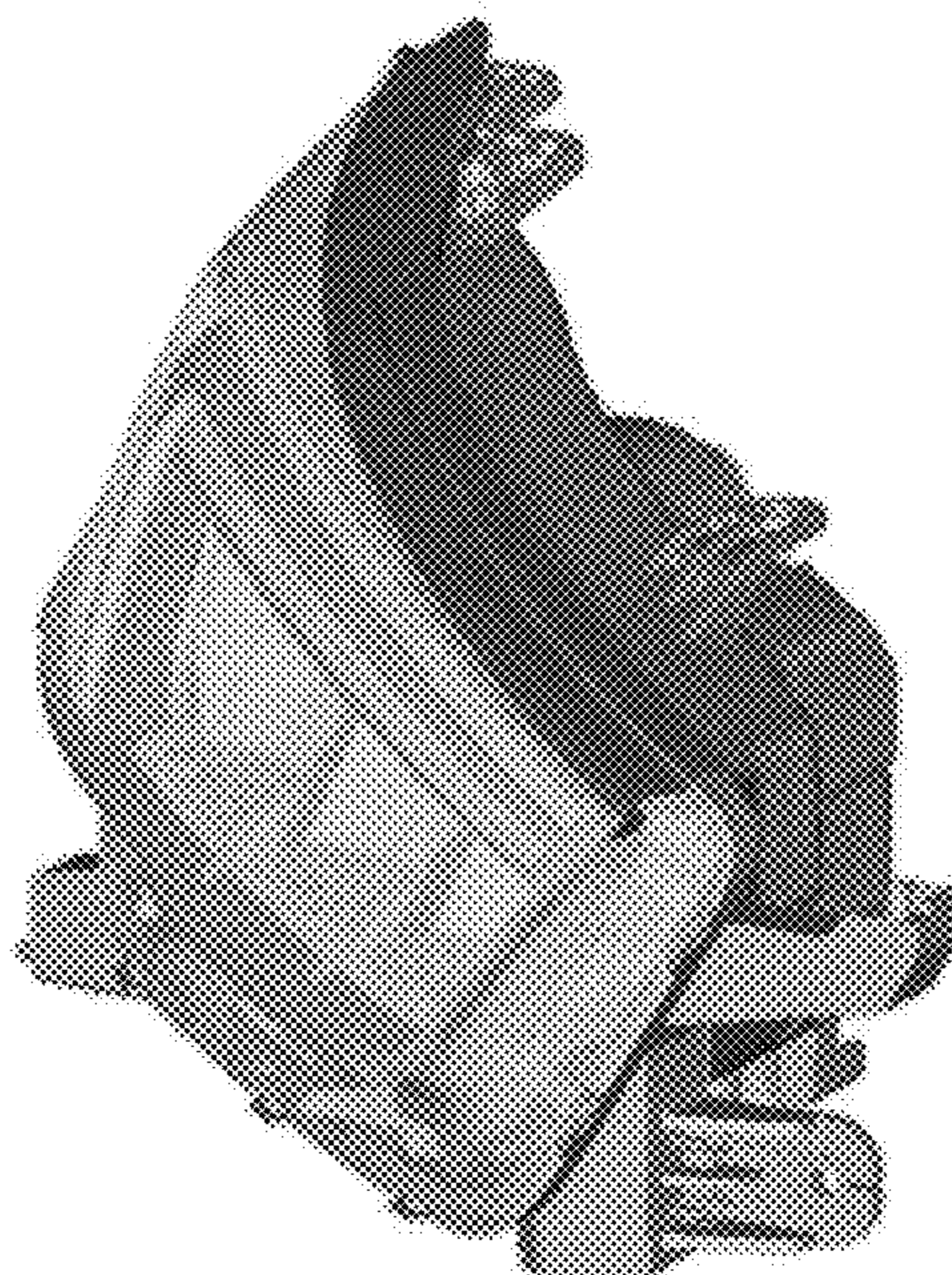


Fig. 1

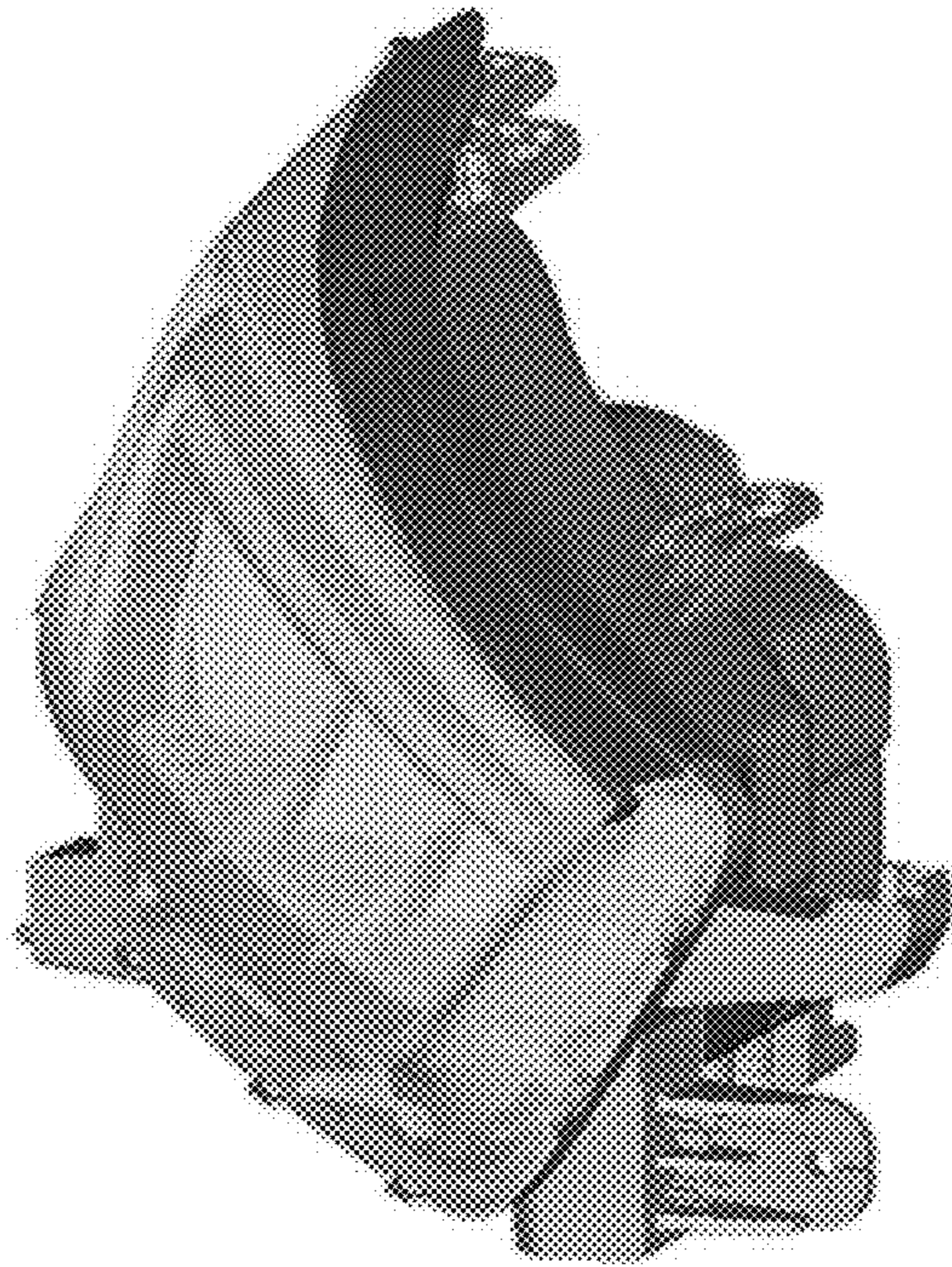


Fig. 2

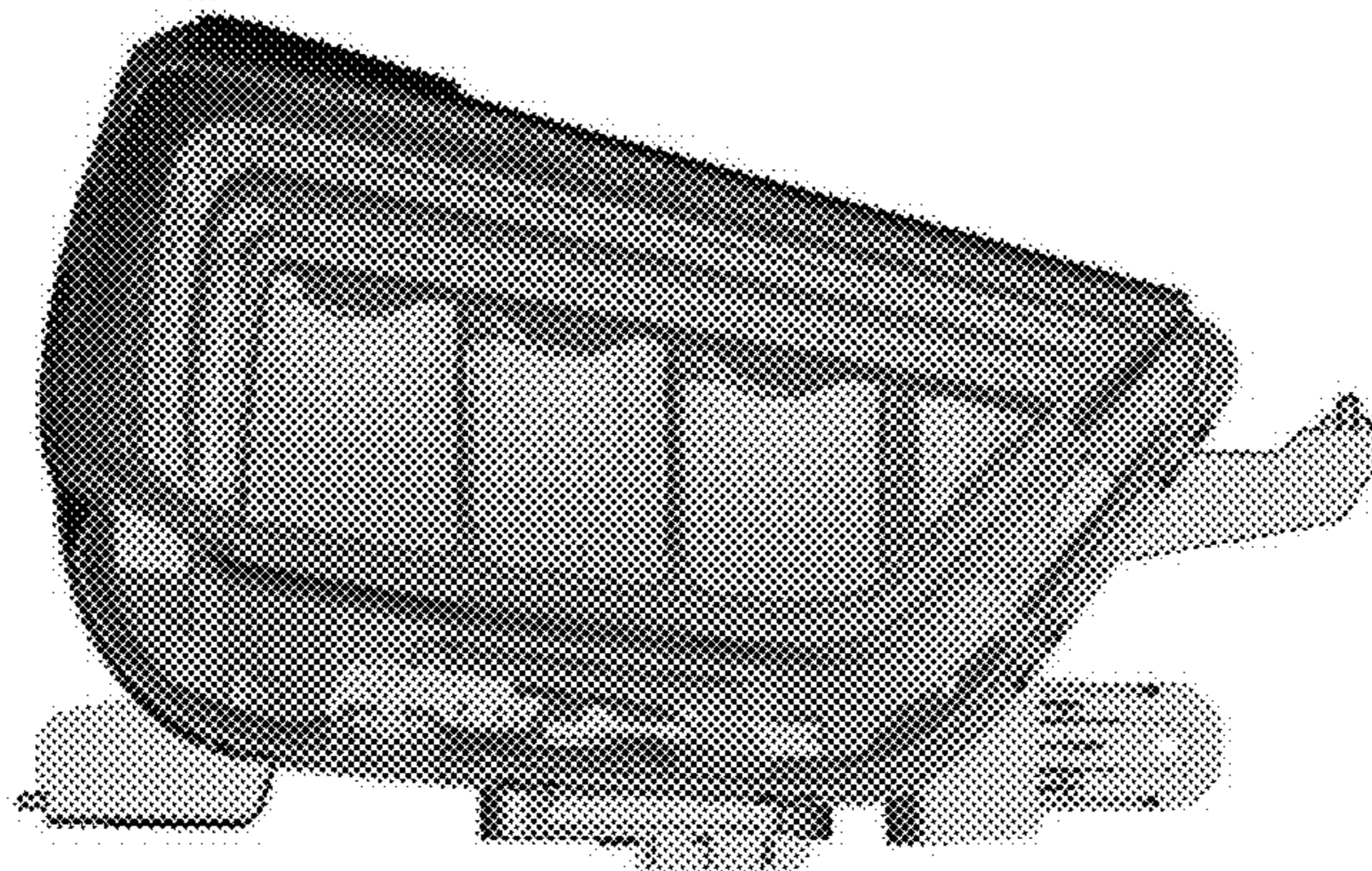


Fig. 3

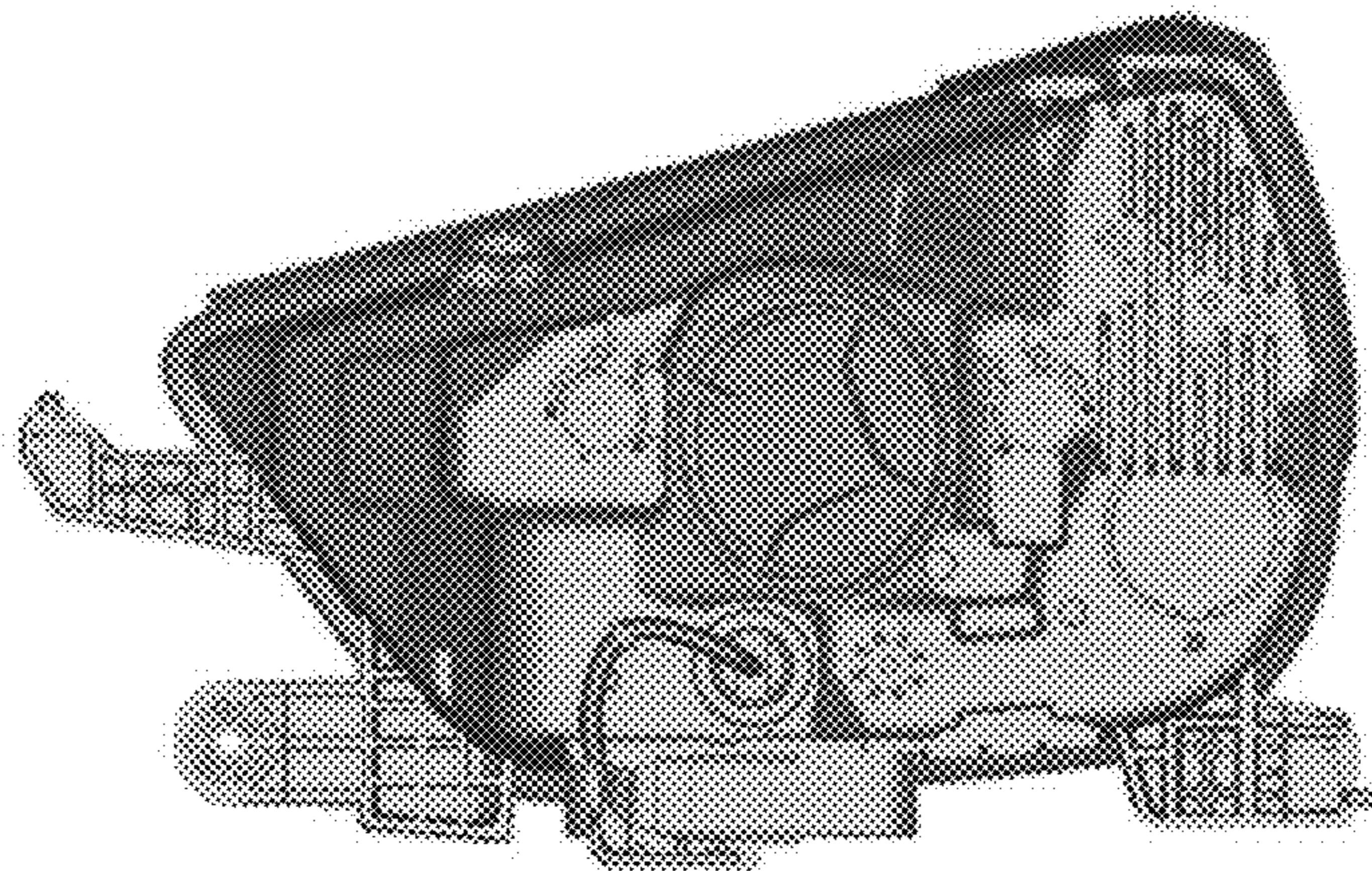


Fig. 4

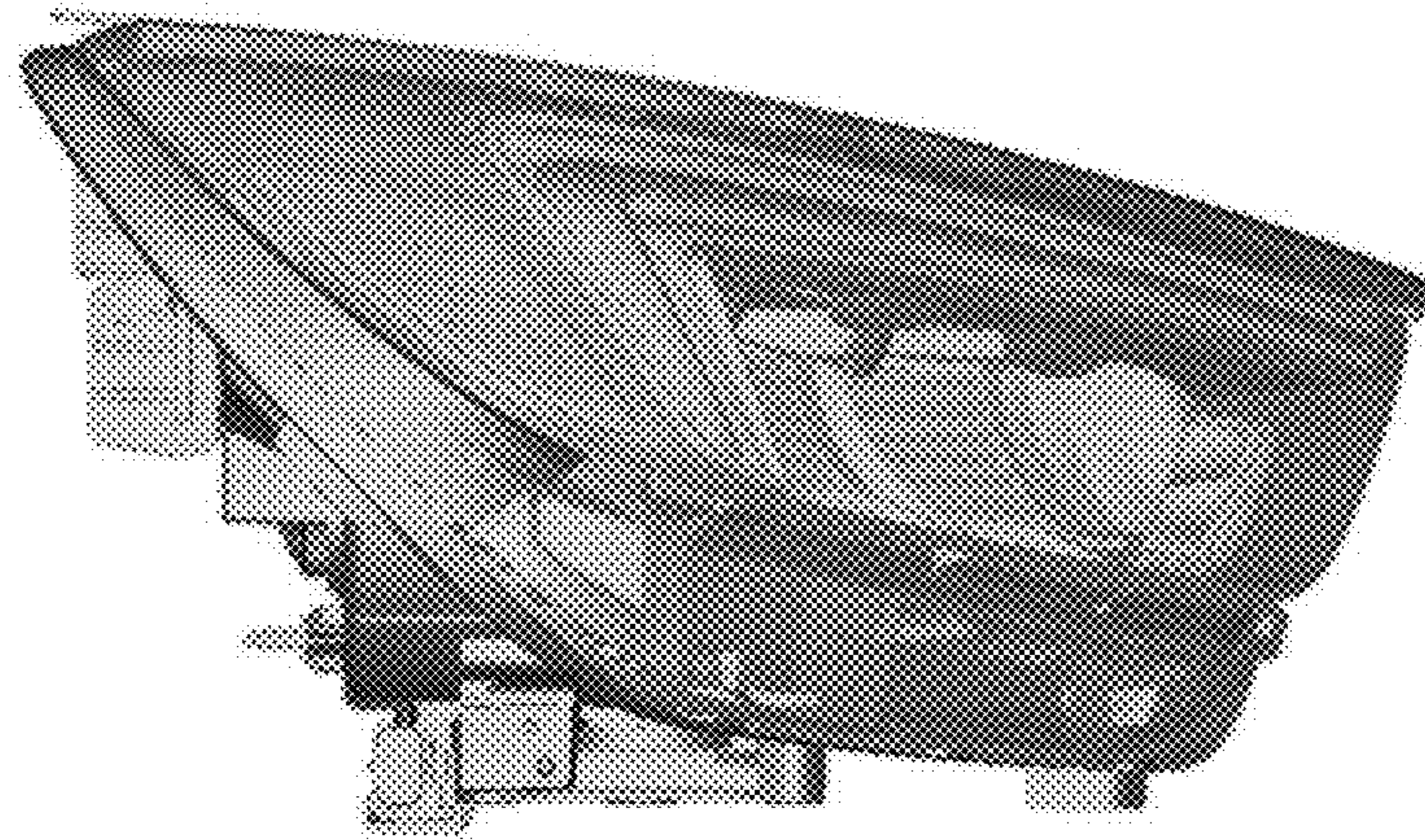


Fig. 5

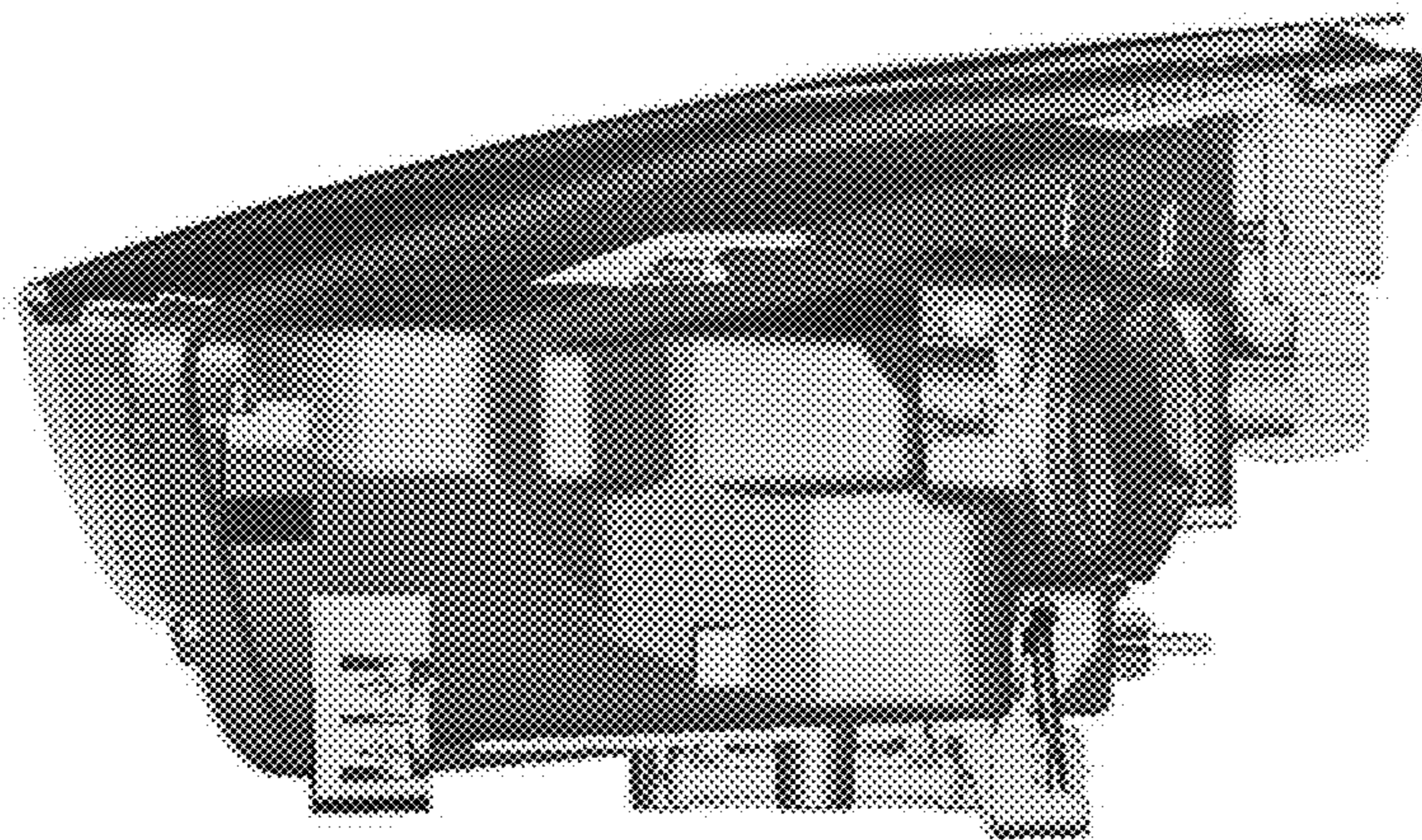


Fig. 6

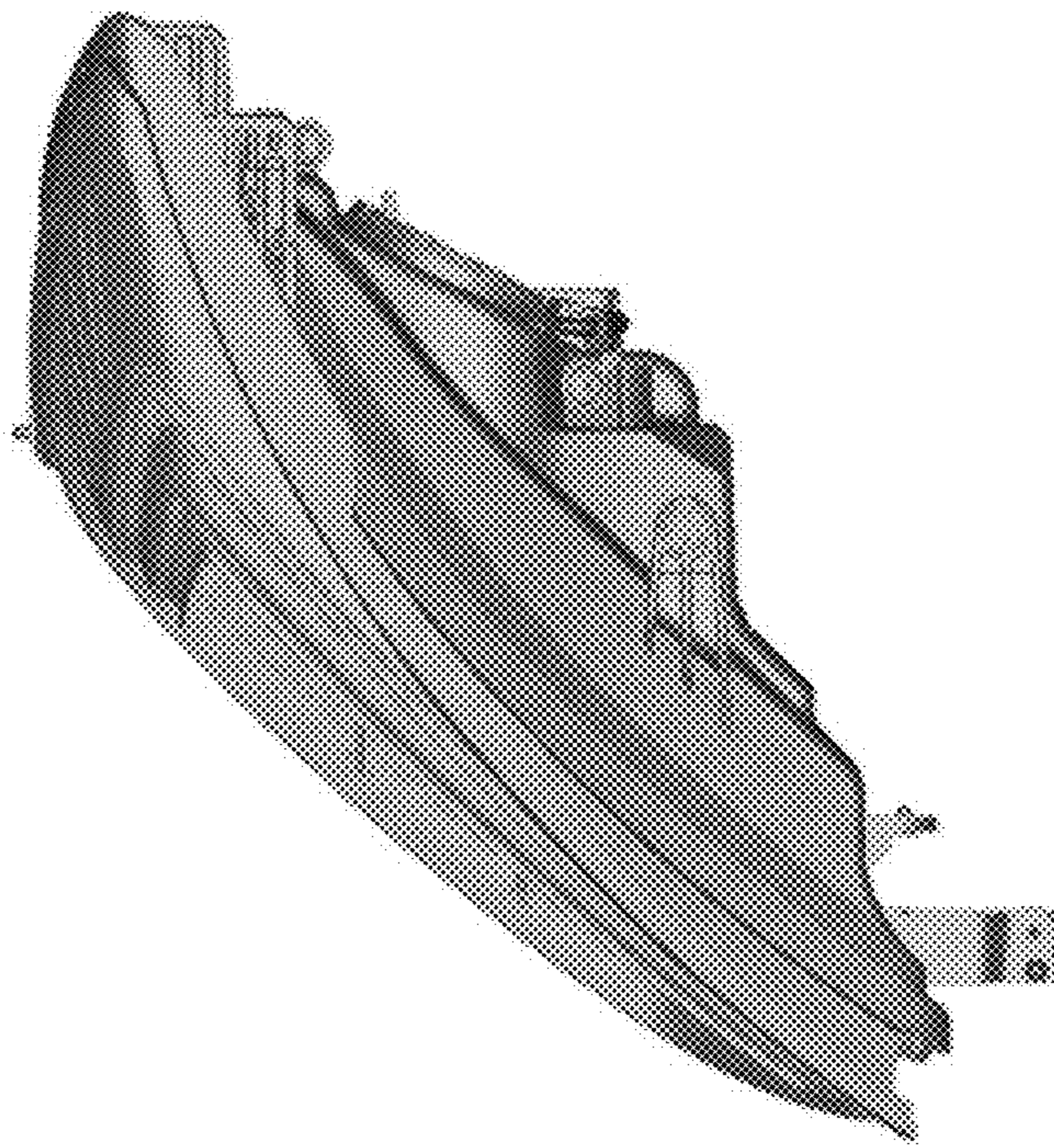


Fig. 7

