



US00D803429S

(12) **United States Design Patent** (10) **Patent No.:** **US D803,429 S**  
**Martin et al.** (45) **Date of Patent:** **\*\* \*Nov. 21, 2017**

(54) **TRUCKLIGHT**

CPC .. B62J 6/02; B62J 6/04; B60Q 1/2607; B60Q 1/0041; B60Q 1/04; B60Q 1/26; B60Q 1/52; B60Q 1/34; B60Q 1/263

(71) Applicant: **KONINKLIJKE PHILIPS N.V.**, Eindhoven (NL)

See application file for complete search history.

(72) Inventors: **Paul Scott Martin**, Livermore, CA (US); **Jin Cherl Kwon**, Shanghai (CN); **Leifang Shi**, Shanghai (CN); **Xiaofang Mo**, Shanghai (CN); **Jianzhong Pan**, Shanghai (CN); **Hiu Tung Chu**, Hong Kong (CN)

(56) **References Cited**

U.S. PATENT DOCUMENTS

D410,758 S *	6/1999	Reinbach .....	D26/28
D425,223 S *	5/2000	Li .....	D26/28
D427,343 S *	6/2000	Reinbach .....	D26/28
D440,513 S *	4/2001	Smith .....	D10/114.3
D507,670 S *	7/2005	Huang .....	D26/28
D541,449 S *	4/2007	Rogers .....	D26/28
D578,670 S *	10/2008	Li et al. ....	D26/1

(73) Assignee: **Koninklijke Philips N.V.**, Eindhoven (NL)

(\* ) Notice: This patent is subject to a terminal disclaimer.

\* cited by examiner

(\*\*) Term: **14 Years**

*Primary Examiner* — Wan Laymon

(21) Appl. No.: **29/467,453**

(57) **CLAIM**

(22) Filed: **Sep. 19, 2013**

The ornamental design for a trucklight, as shown.

(30) **Foreign Application Priority Data**

Mar. 19, 2013 (EM) ..... 002205278-0001

(51) **LOC (10) Cl.** ..... **26-06**

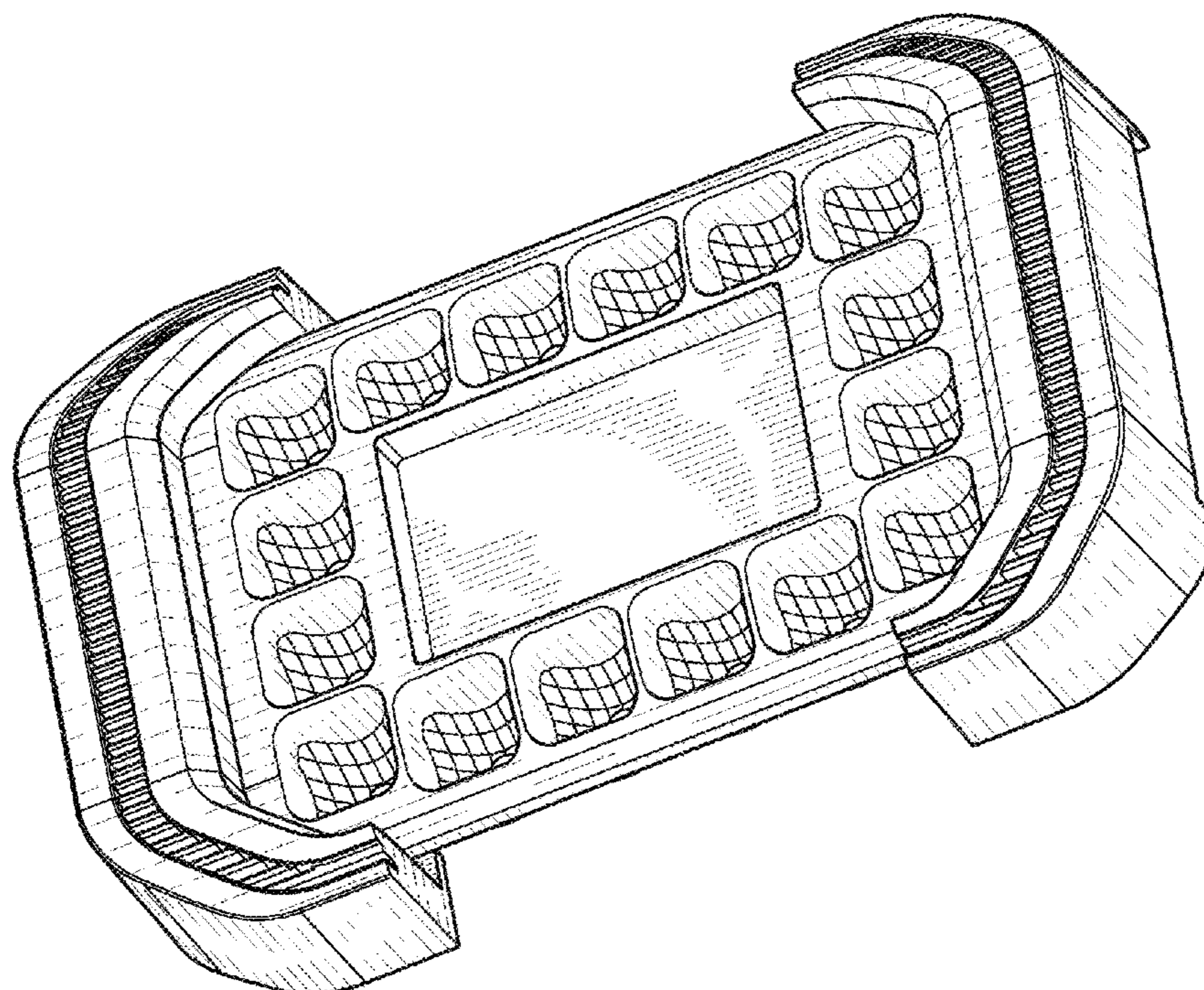
(52) **U.S. Cl.**  
USPC ..... **D26/28**

(58) **Field of Classification Search**  
USPC ..... D26/28, 24, 29, 31-32, 34-36;  
D10/114.1, 114.3; 362/459-460,  
362/464-465, 477-479, 485-487, 493,  
362/540, 542, 507; 340/468, 478,  
340/471-473

**DESCRIPTION**

FIG. 1 is a perspective view showing my design; FIG. 2 is a front elevational view thereof; FIG. 3 is a rear elevational view thereof; FIG. 4 is a right side elevational view thereof; FIG. 5 is a left side elevational view thereof; FIG. 6 is a top plan view thereof; and, FIG. 7 is a bottom plan view thereof.

**1 Claim, 3 Drawing Sheets**



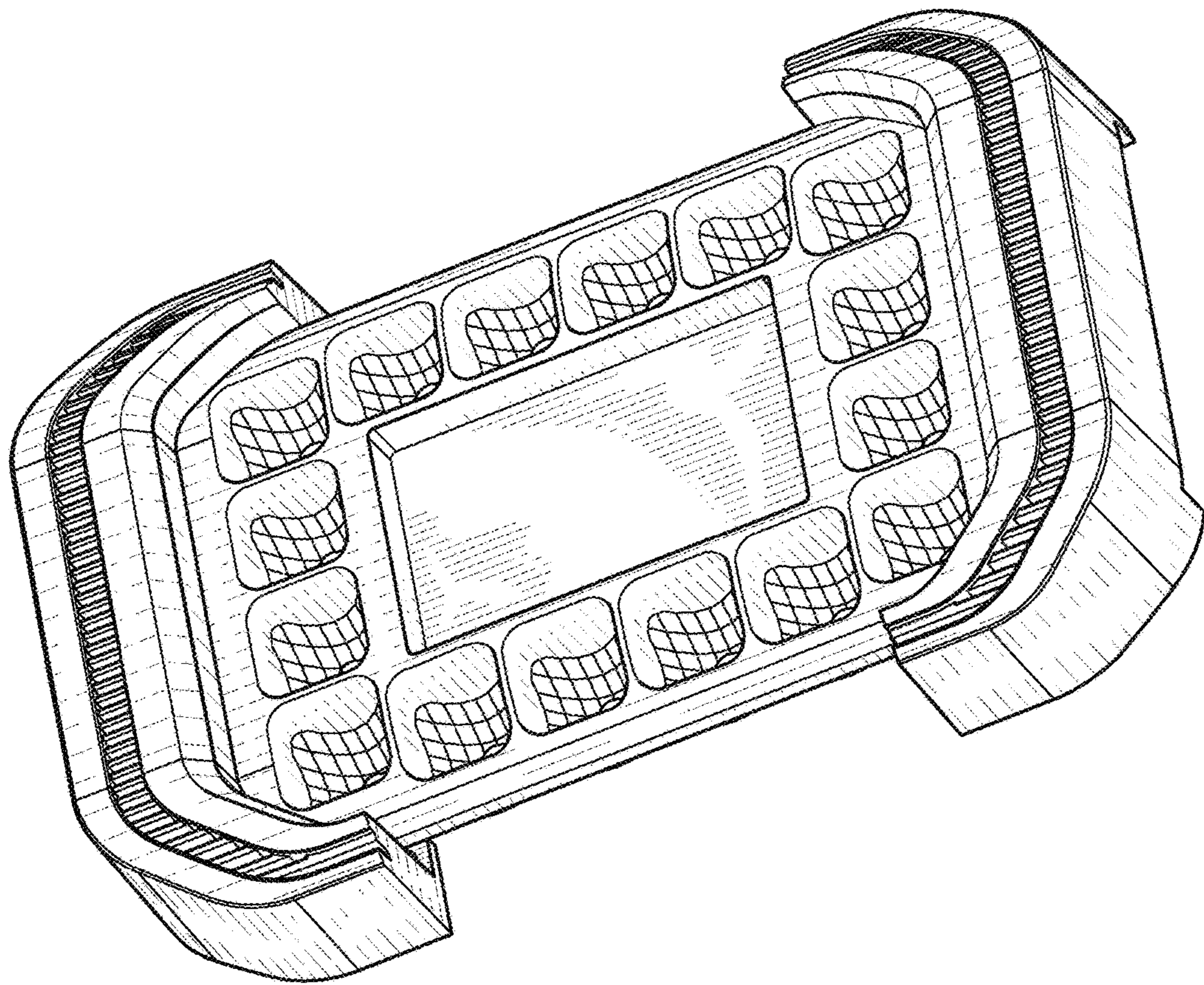


FIG. 1



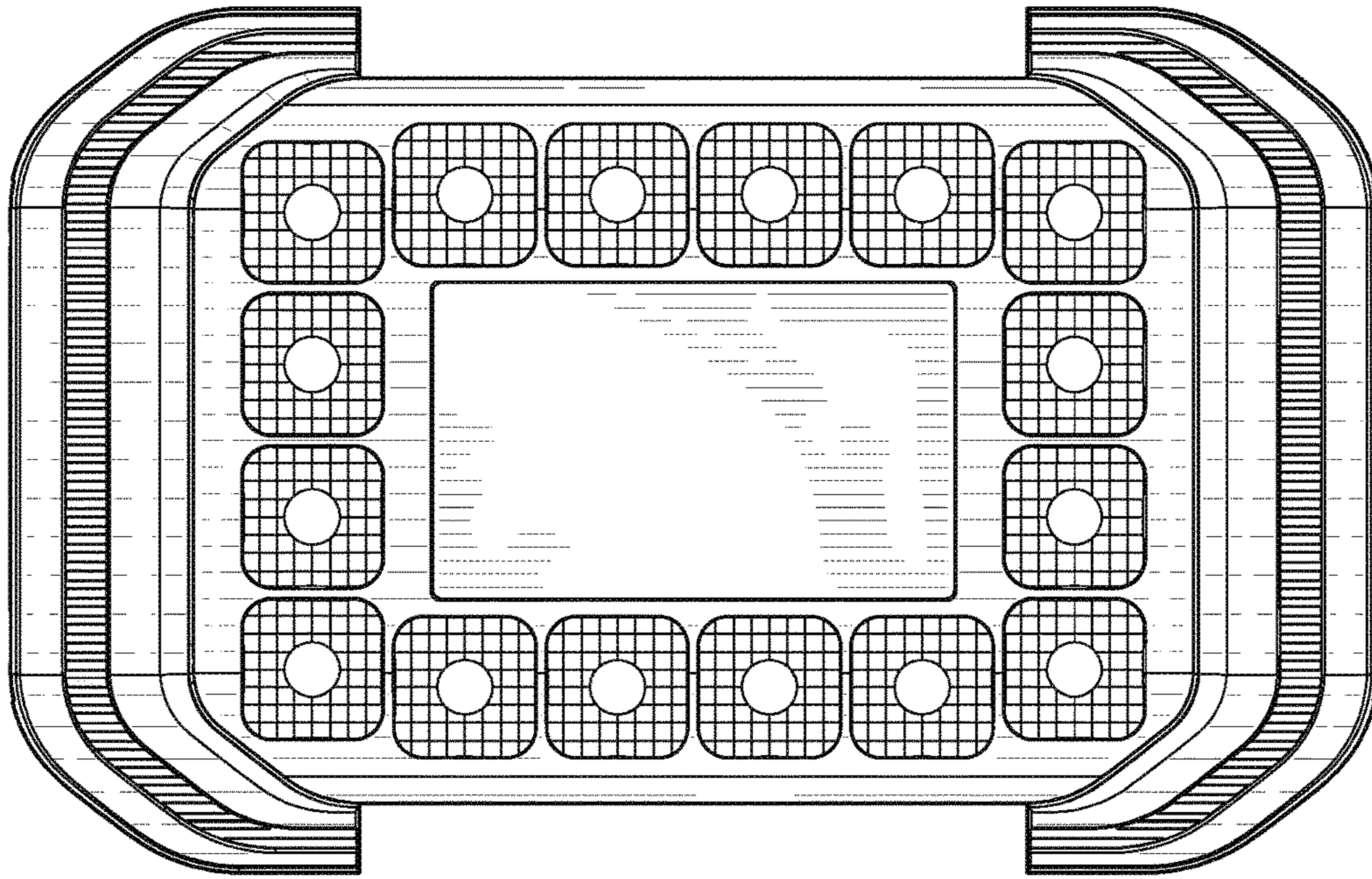


FIG. 2

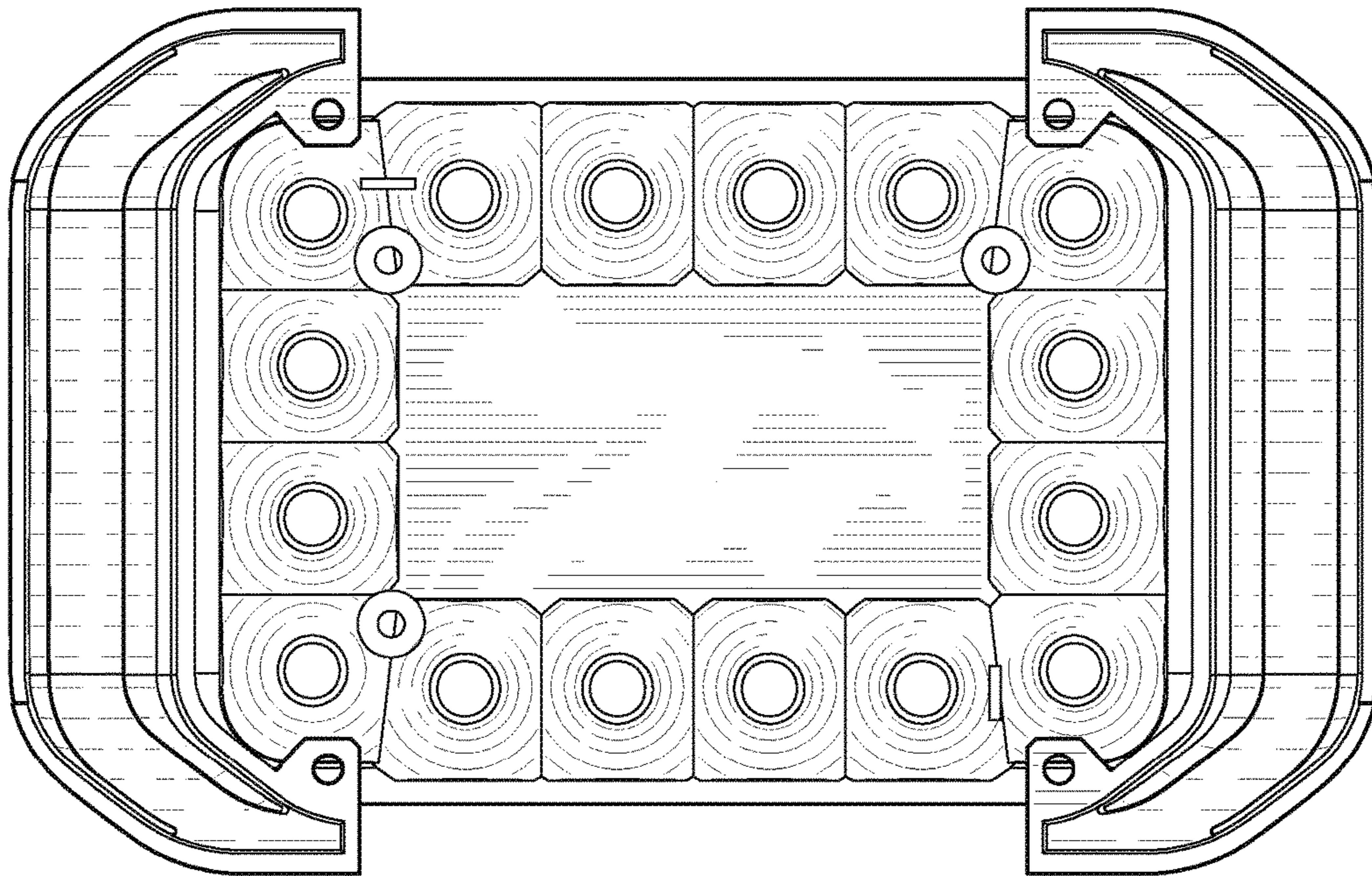


FIG. 3

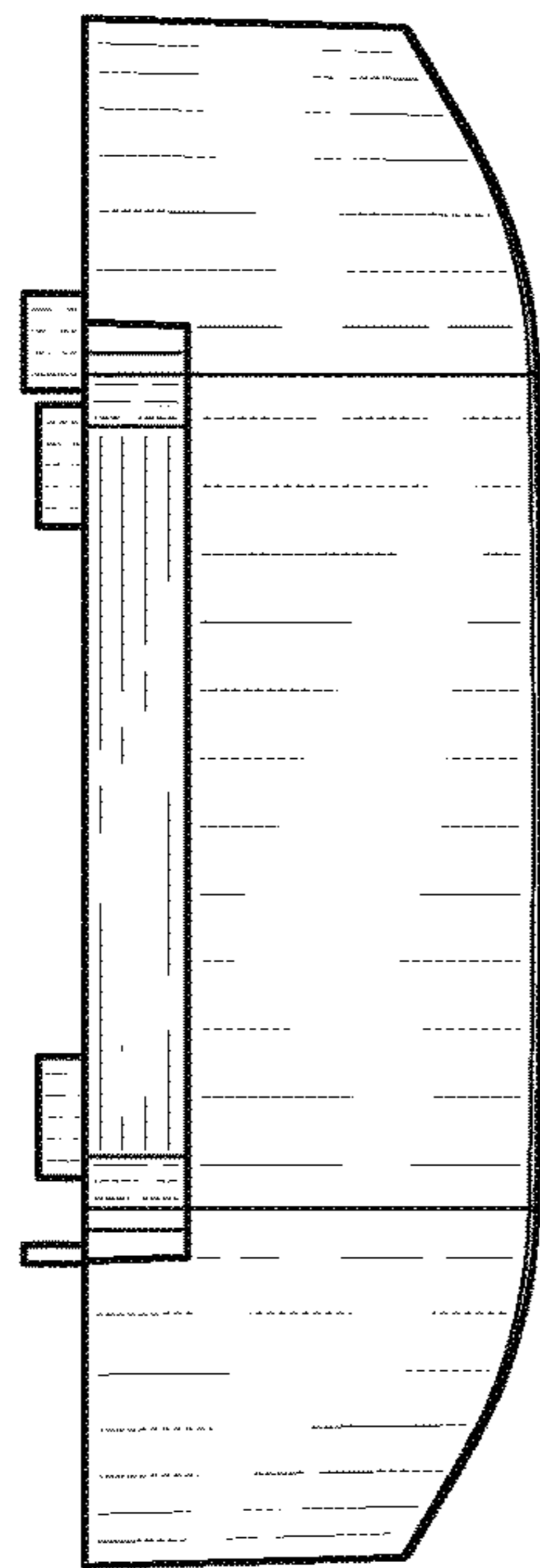


FIG. 4

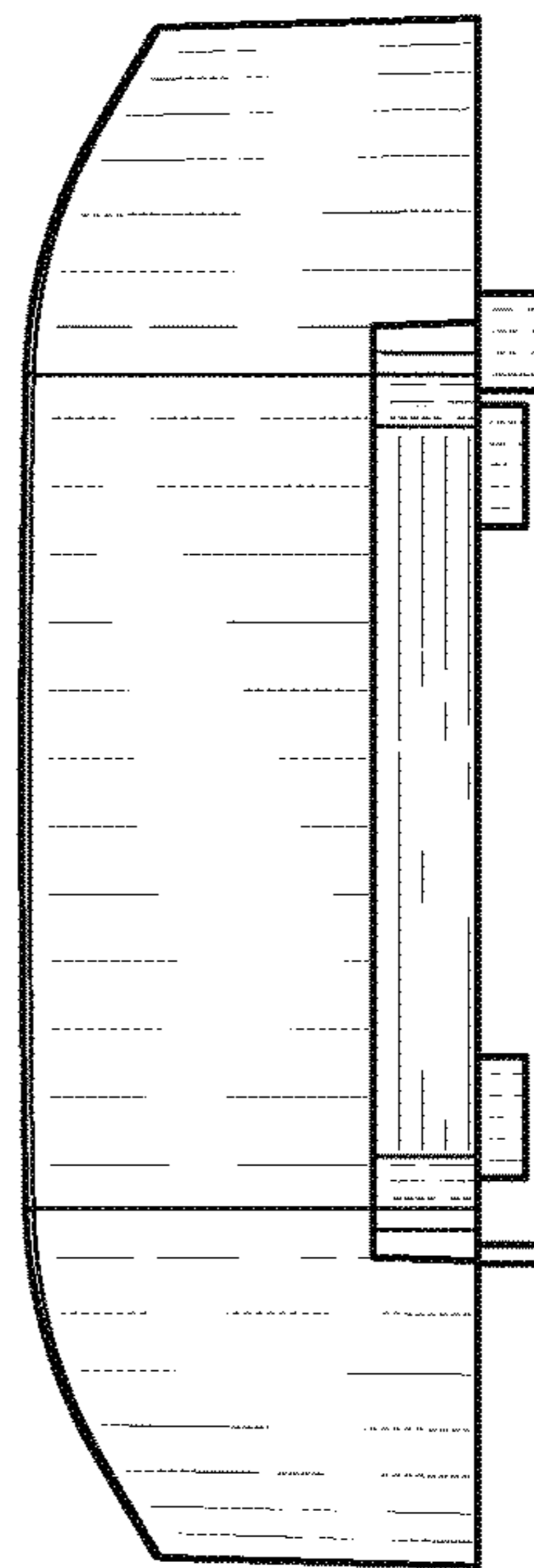


FIG. 5

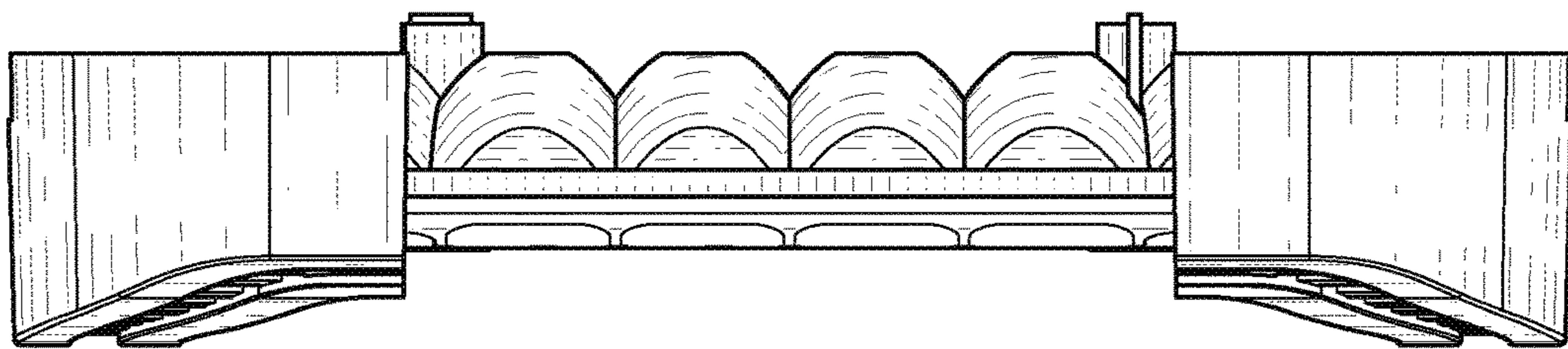


FIG. 6

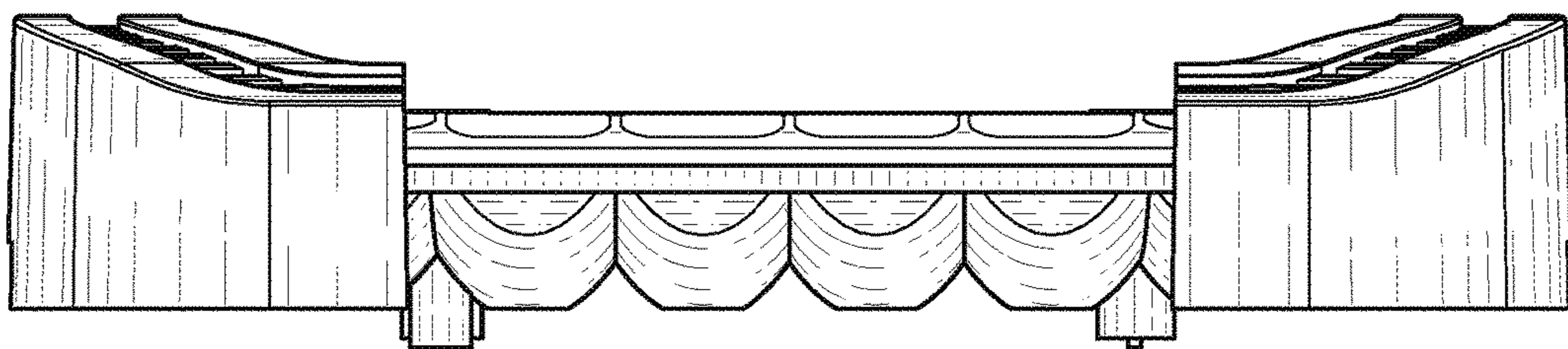


FIG. 7