



US00D803428S

(12) **United States Design Patent** (10) **Patent No.:** **US D803,428 S**
Kirschner (45) **Date of Patent:** **** Nov. 21, 2017**

(54) **LED LIGHTING DEVICE**

(74) *Attorney, Agent, or Firm* — Hackler Daghighian
Martino & Novak

(71) Applicant: **Ronny Kirschner**,
Korntal-Muenchingen (DE)

(57) **CLAIM**

The ornamental design for a LED lighting device, as shown
and described.

(72) Inventor: **Ronny Kirschner**,
Korntal-Muenchingen (DE)

DESCRIPTION

(**) Term: **15 Years**

(21) Appl. No.: **29/561,469**

FIG. 1 is a perspective view of a LED lighting device
embodying my new design;

(22) Filed: **Apr. 15, 2016**

FIG. 2 is a front elevation view of FIG. 1;

(30) **Foreign Application Priority Data**

Oct. 19, 2015 (EM) 002827790-0003

FIG. 2A is an enlarged view taken along lines 2A-2A from
FIG. 2;

Oct. 19, 2015 (EM) 002827790-0004

FIG. 2B is an enlarged view taken along lines 2B-2B from
FIG. 2;

(51) **LOC (10) Cl.** **26-02**

FIG. 3 is a rear elevation view of FIG. 1;

(52) **U.S. Cl.**

USPC **D26/24**

FIG. 3A is an enlarged view taken along lines 3A-3A from
FIG. 3;

(58) **Field of Classification Search**

USPC D26/24, 25, 6, 80, 86, 88, 90, 91, 118

FIG. 3B is an enlarged view taken along lines 3B-3B from
FIG. 3;

CPC F21S 8/06; F21S 8/061; F21S 8/063; F21S

FIG. 4 is a left side elevation view of FIG. 1;

8/065; F21S 8/068; F21V 5/007; F21V

FIG. 4A is an enlarged version of FIG. 4;

5/005; F21V 5/008

FIG. 5 is a right side elevation view of FIG. 1;

See application file for complete search history.

FIG. 5A is an enlarged version of FIG. 5;

(56) **References Cited**

U.S. PATENT DOCUMENTS

D261,180 S * 10/1981 Lagin D26/66

FIG. 6 is a top plan view of FIG. 1;

D542,456 S * 5/2007 Swanson D26/65

FIG. 6A is an enlarged view taken along lines 6A-6A from
FIG. 6;

D550,869 S * 9/2007 Hoshikawa D26/25

FIG. 6B is an enlarged view taken along lines 6B-6B from
FIG. 6;

D592,787 S * 5/2009 Chandler D26/81

FIG. 7 is a bottom plan view of FIG. 1;

D690,050 S * 9/2013 Ng D26/80

FIG. 7A is an enlarged view taken along lines 7A-7A from
FIG. 7;

D745,735 S * 12/2015 Tran D26/80

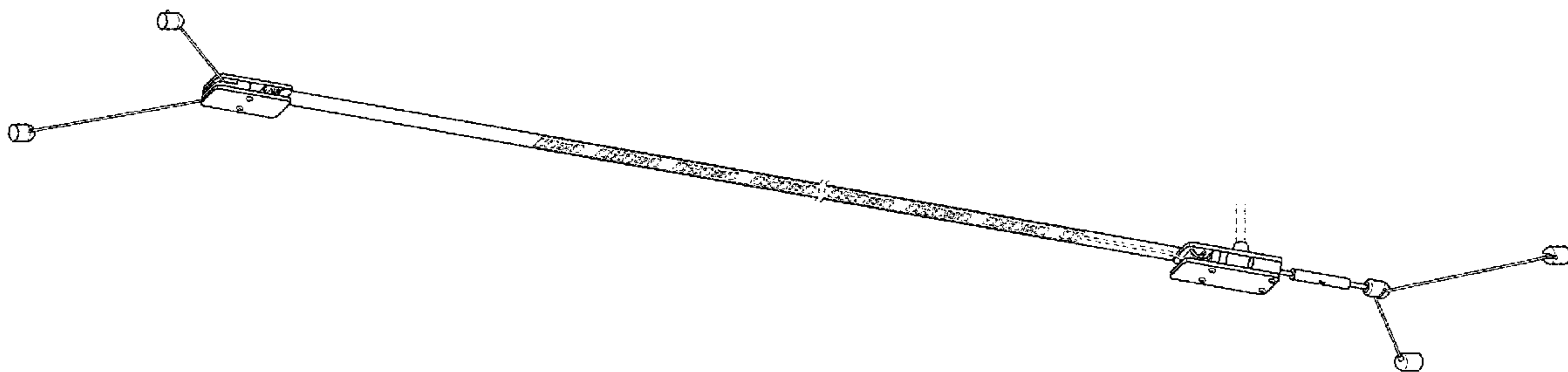
FIG. 7B is an enlarged view taken along lines 7B-7B from
FIG. 7; and,

* cited by examiner

FIG. 7C is an enlarged view taken along lines 7C-7C from
FIG. 7.

Primary Examiner — Brian N Vinson

1 Claim, 5 Drawing Sheets



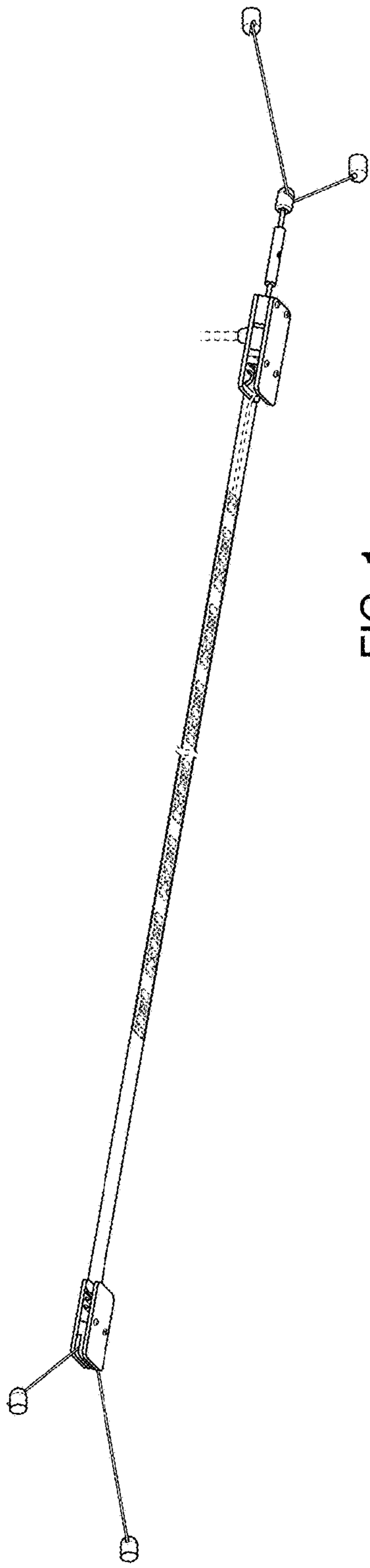


FIG. 1

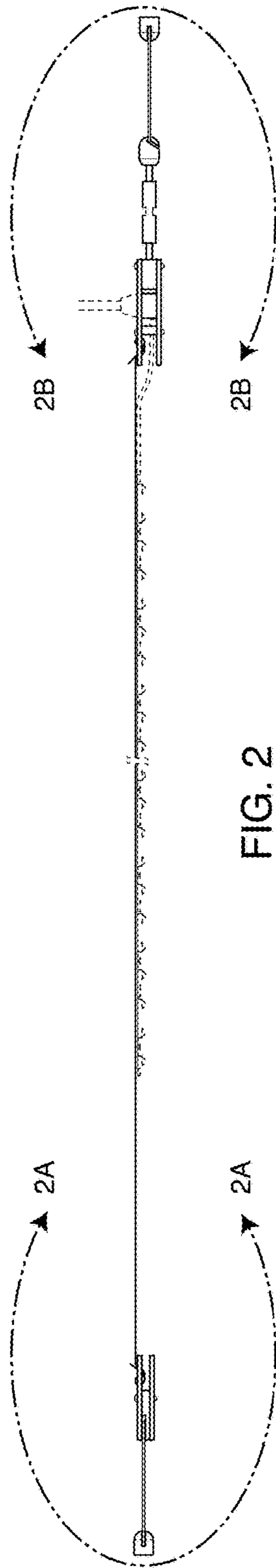


FIG. 2

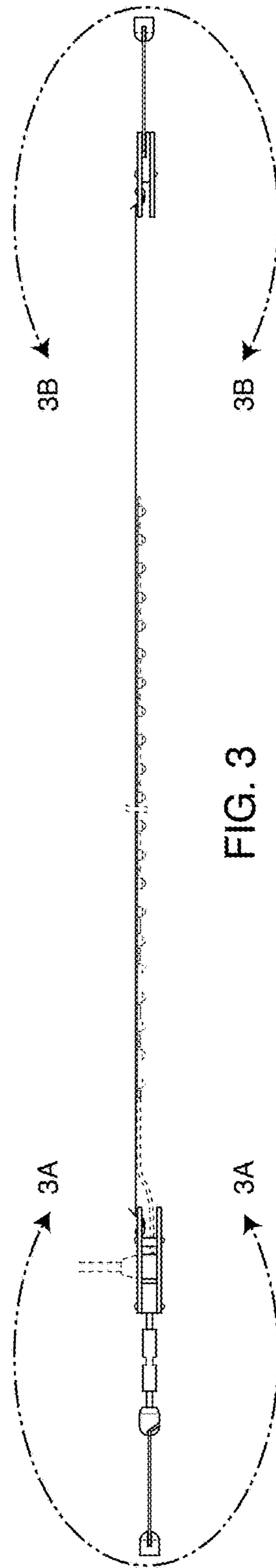


FIG. 3

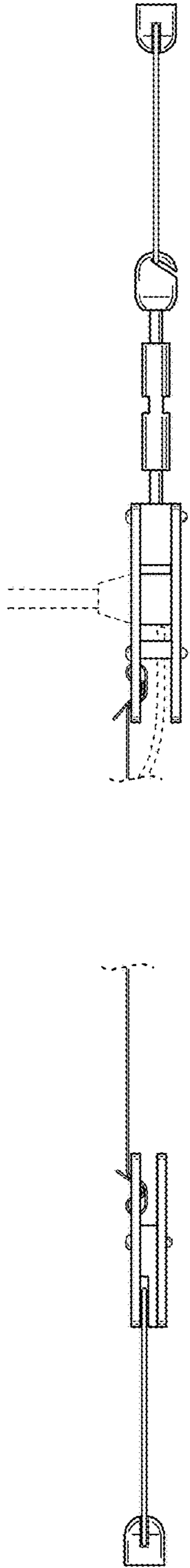


FIG. 2A

FIG. 2B

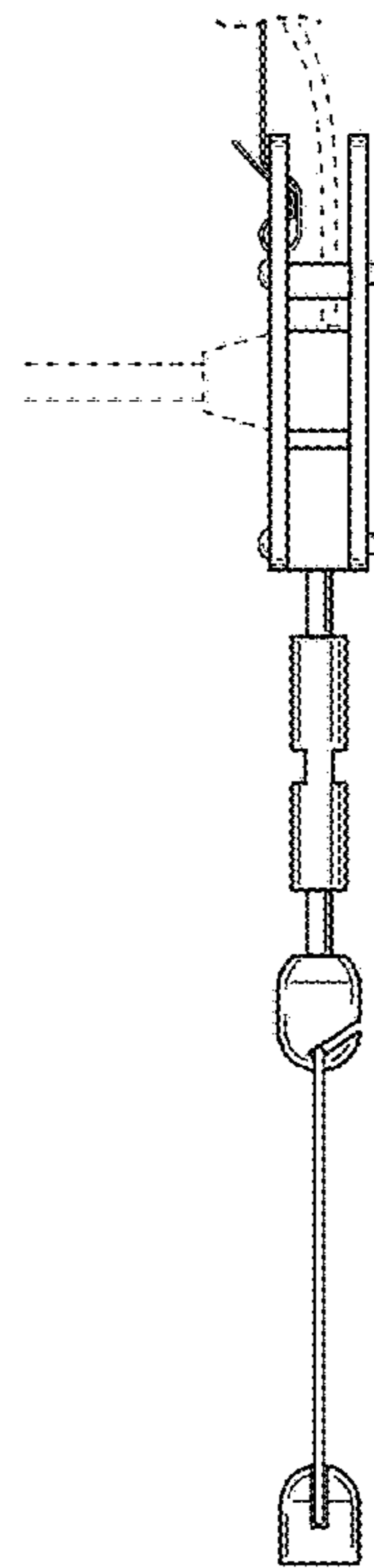


FIG. 3A

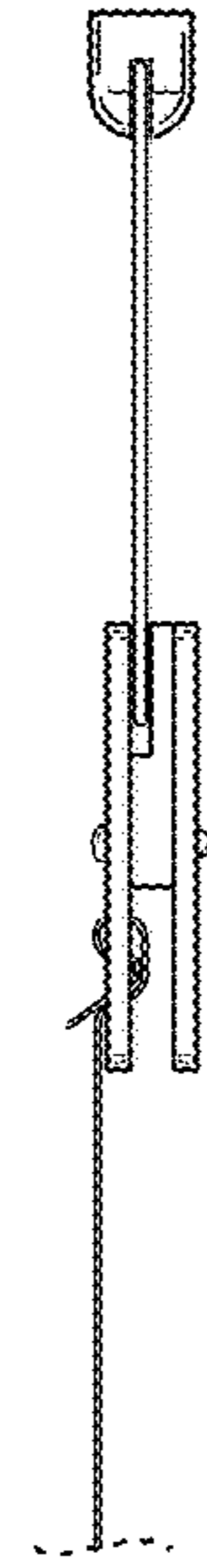


FIG. 3B



FIG. 4

FIG. 5

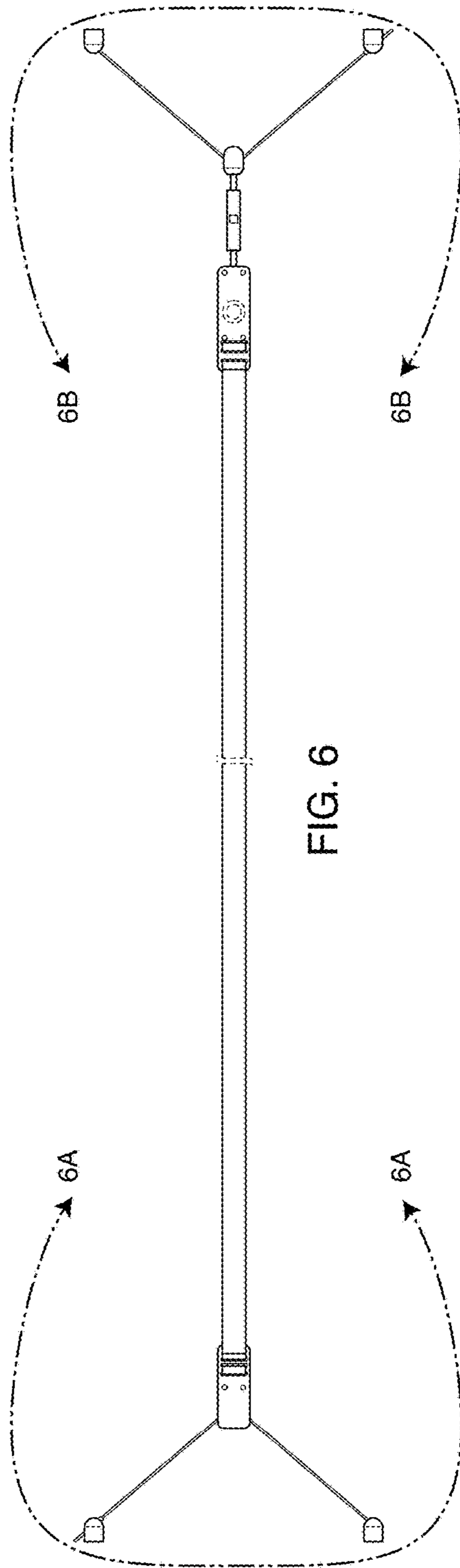


FIG. 6

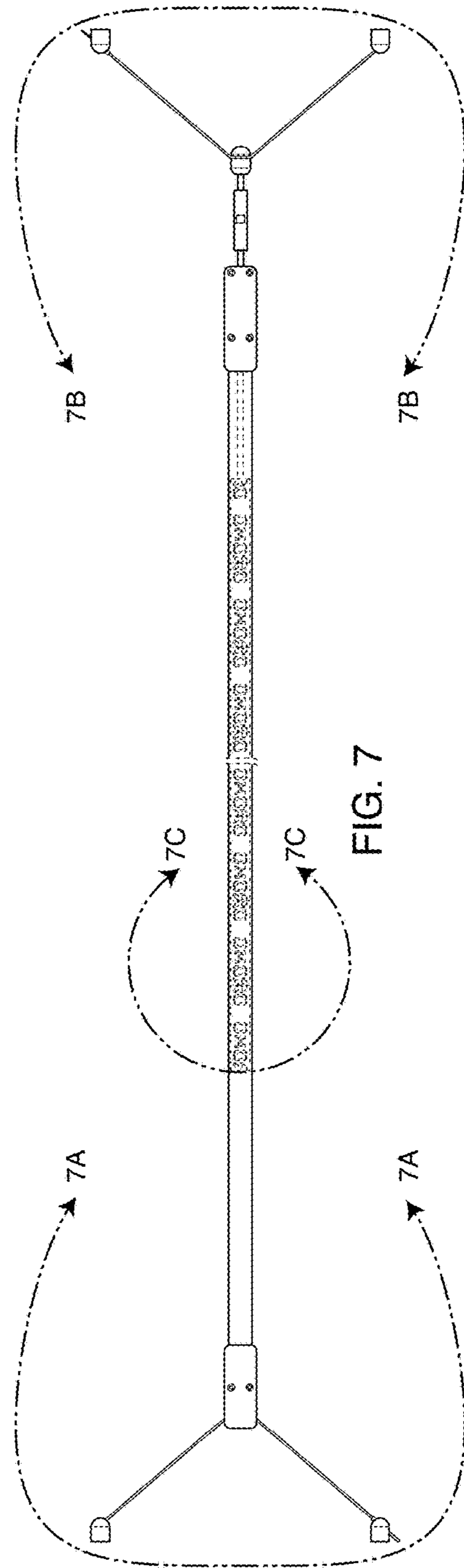


FIG. 7

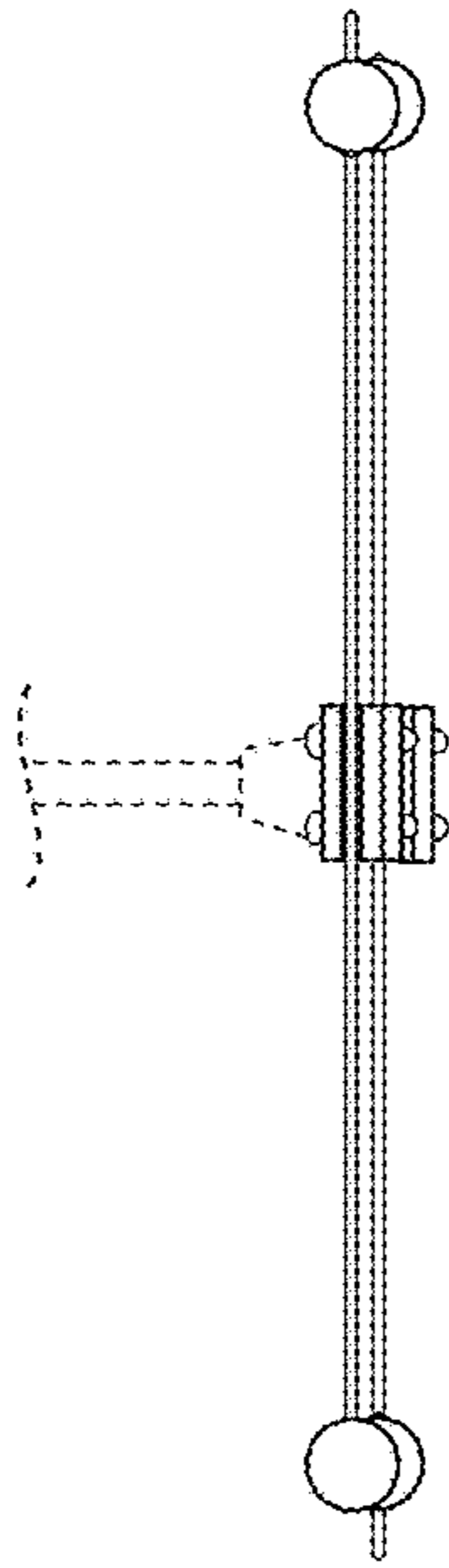


FIG. 4A

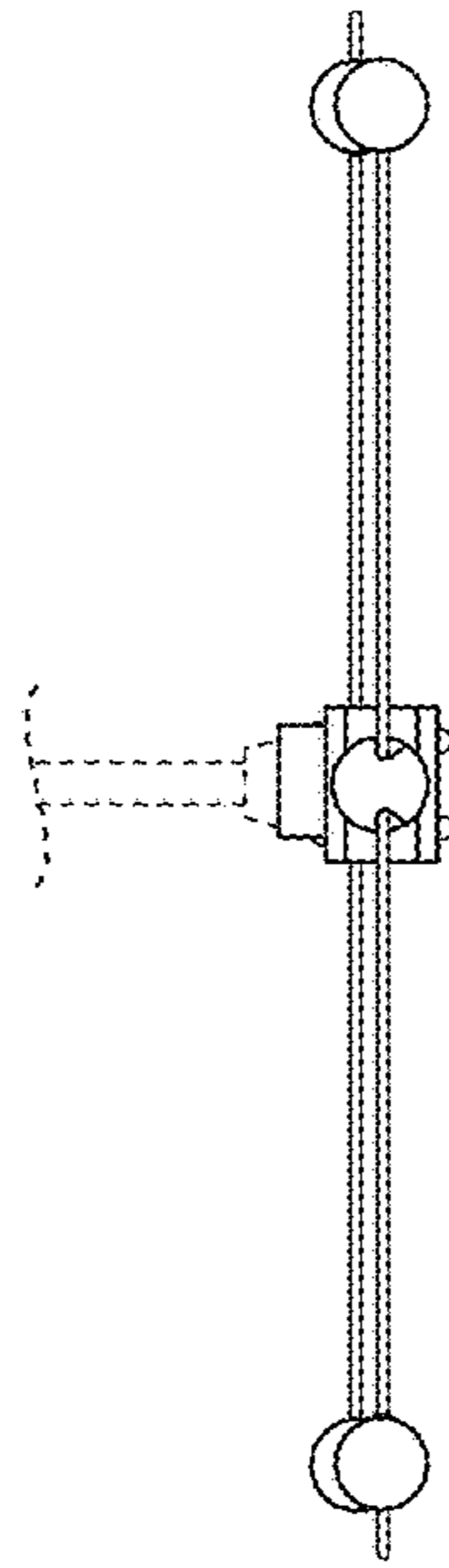


FIG. 5A

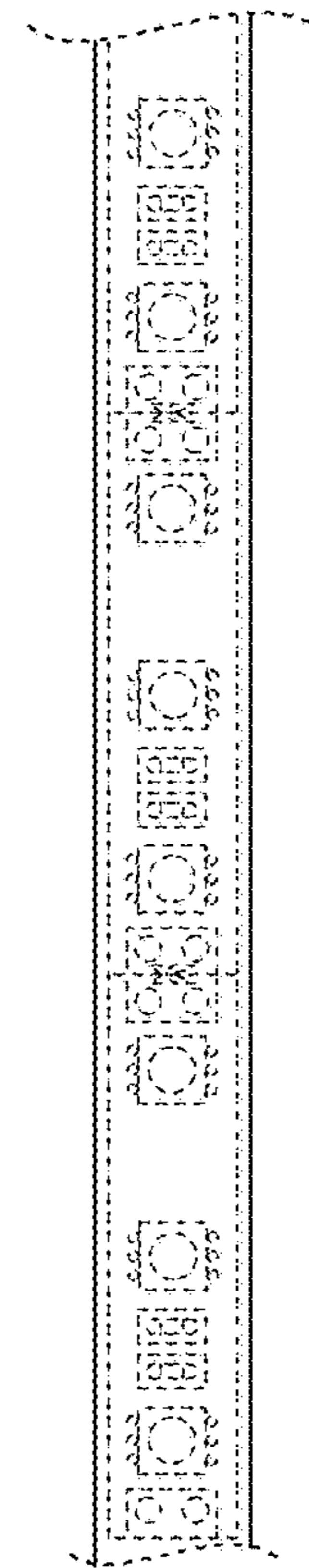


FIG. 7C

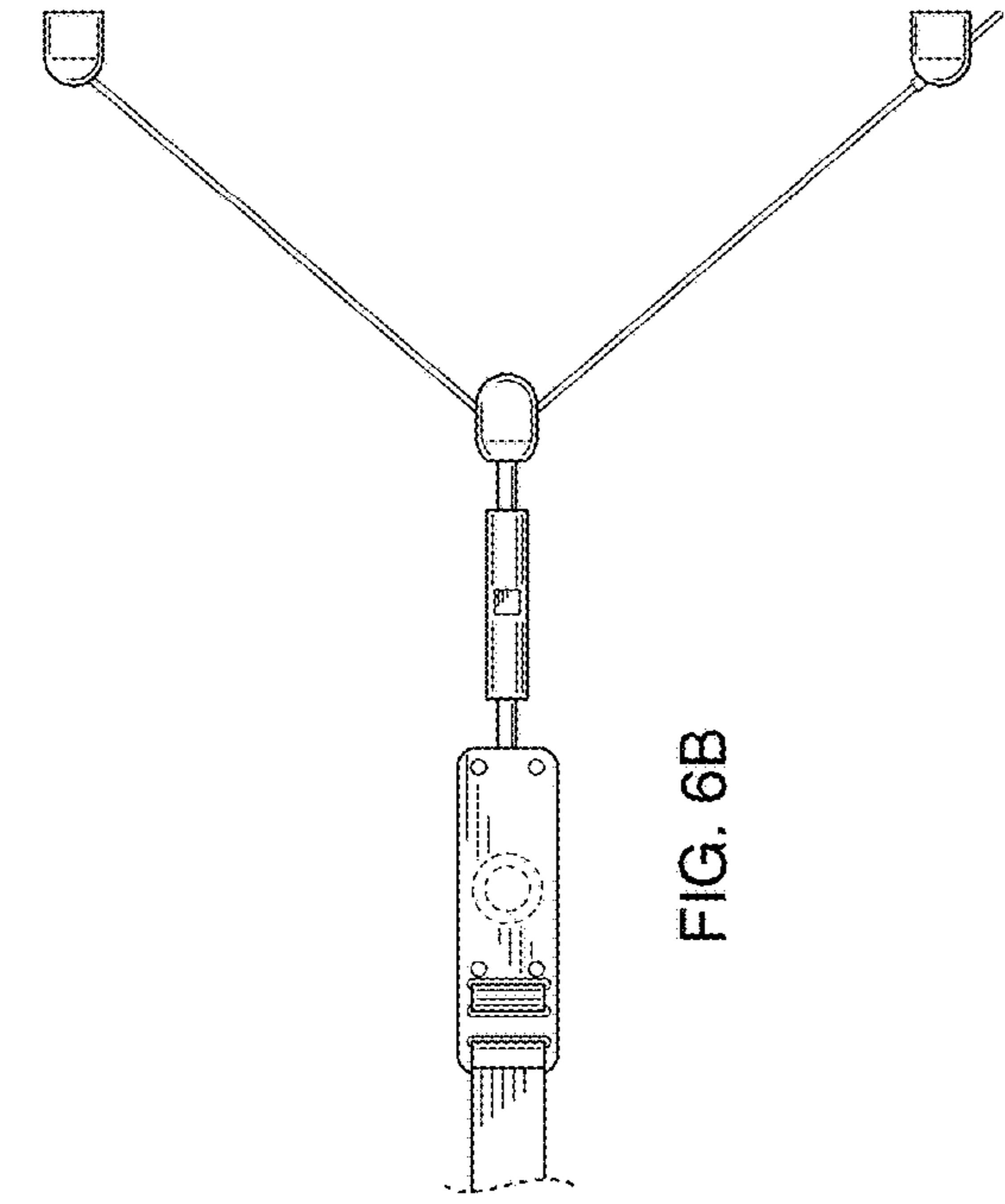


FIG. 6B

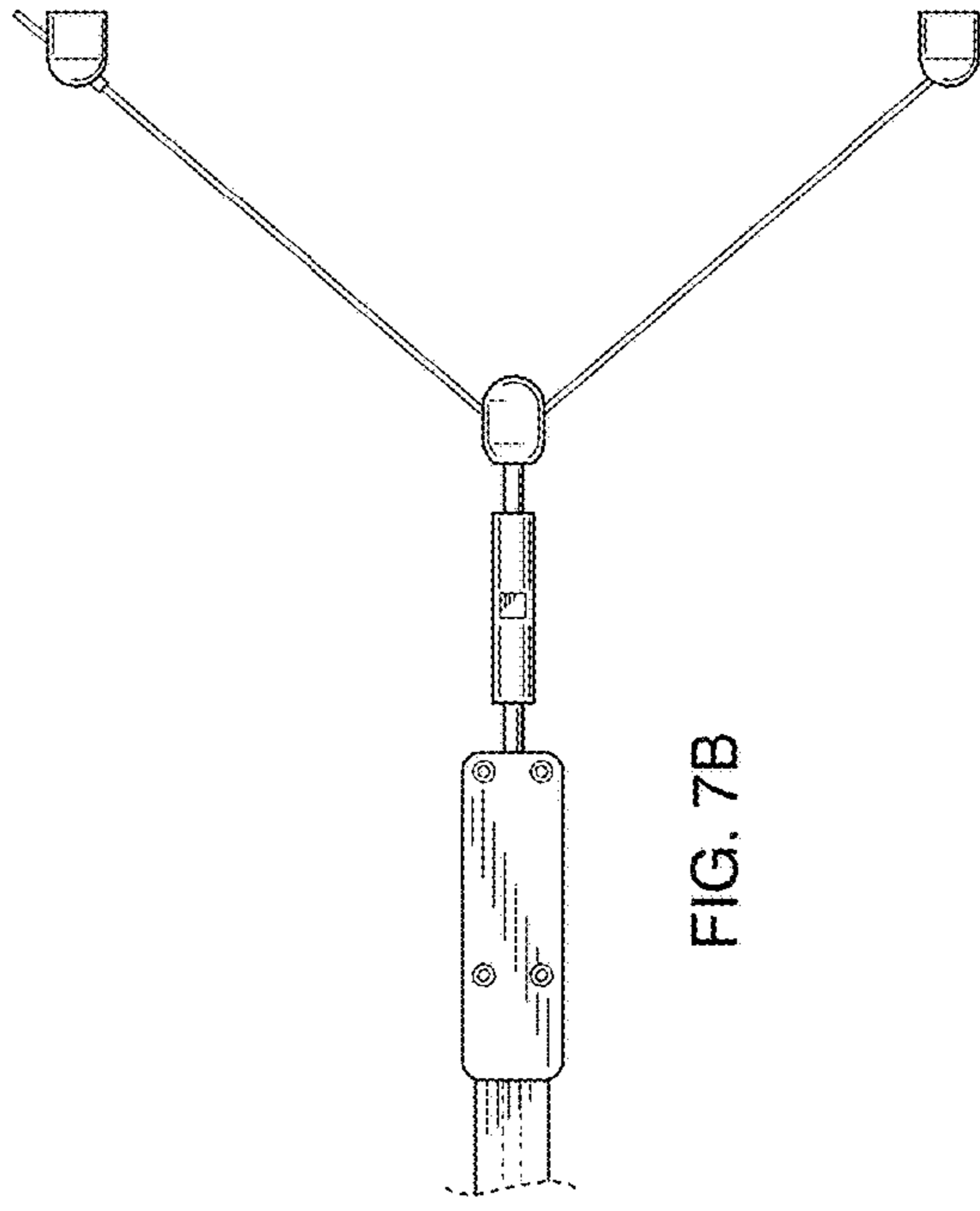


FIG. 7B

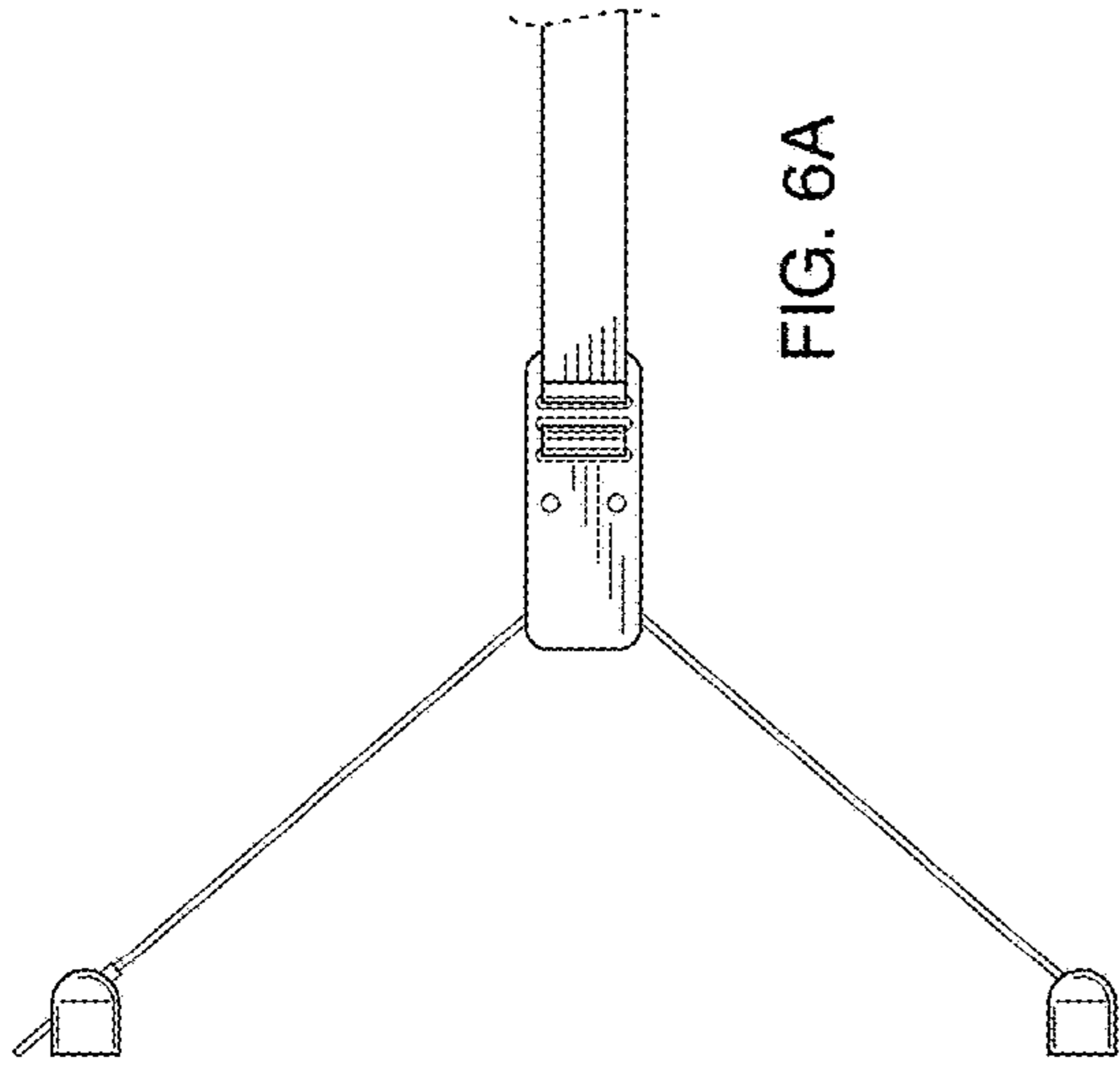


FIG. 6A

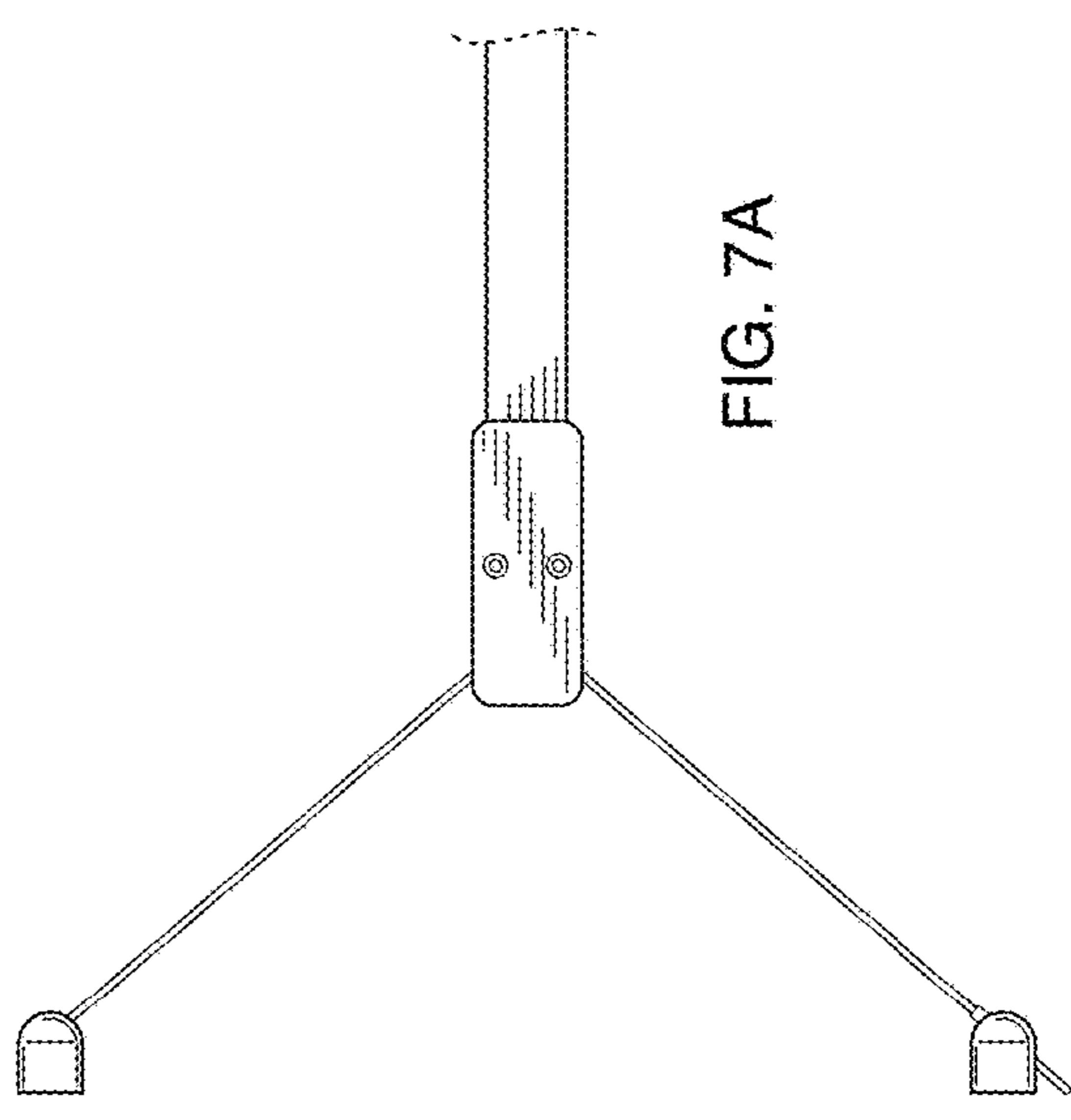


FIG. 7A