



US00D803427S

(12) **United States Design Patent** (10) **Patent No.:** **US D803,427 S**
Germain (45) **Date of Patent:** **** Nov. 21, 2017**

(54) **LED MODULE WITH TWIST LAMP AND LOCK FEATURE**

(71) Applicant: **GE Lighting Solutions, LLC**, East Cleveland, OH (US)

(72) Inventor: **Steve Germain**, L'Ile-Perrot (CA)

(73) Assignee: **GE LIGHTING SOLUTIONS, LLC**, East Cleveland, OH (US)

(**) Term: **15 Years**

(21) Appl. No.: **29/558,687**

(22) Filed: **Mar. 21, 2016**

(51) **LOC (10) Cl.** **26-04**

(52) **U.S. Cl.**
USPC **D26/2**

(58) **Field of Classification Search**
USPC D26/1-4; 313/313, 315, 316, 317, 318, 313/493; 315/52, 53, 56, 57, 58
CPC F21K 9/13; F21K 9/135; F21K 9/1375; H01R 5/00; H01R 13/46; H01R 31/048; H01R 31/02; H01J 5/00; H01J 5/16; H01J 15/00; H01J 5/48; H01J 5/50; H01J 19/54; F21V 21/04

See application file for complete search history.

(56) **References Cited**

U.S. PATENT DOCUMENTS

D548,857 S *	8/2007	Egawa	D26/1
D600,836 S *	9/2009	Hanley	D26/1
D625,847 S *	10/2010	Maglica	D26/1
D626,255 S *	10/2010	Hiratsuka	D26/1

* cited by examiner

Primary Examiner — Marcus Jackson

(74) *Attorney, Agent, or Firm* — Peter T. DiMauro; GE Global Patent Operation

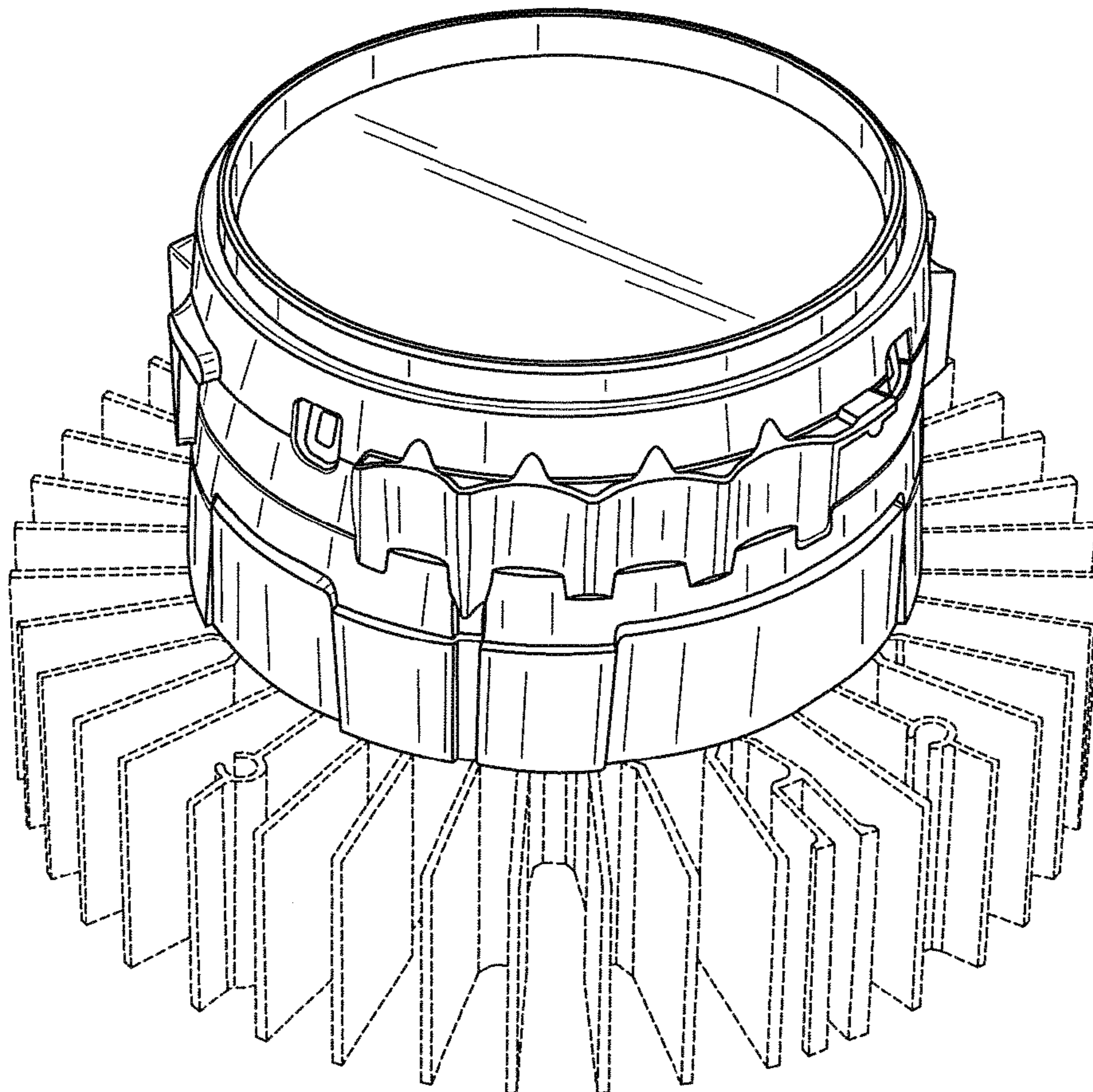
(57) **CLAIM**

The ornamental design for an LED module with twist lamp and lock feature, as shown and described.

DESCRIPTION

FIG. 1 is a first perspective view of the LED module with twist lamp and lock feature according to an embodiment of the new design;
FIG. 2 is a side view thereof; and,
FIG. 3 is a second perspective view thereof.
The broken lines shown in the drawings are for illustrative purposes only and form no part of the claimed design.

1 Claim, 3 Drawing Sheets



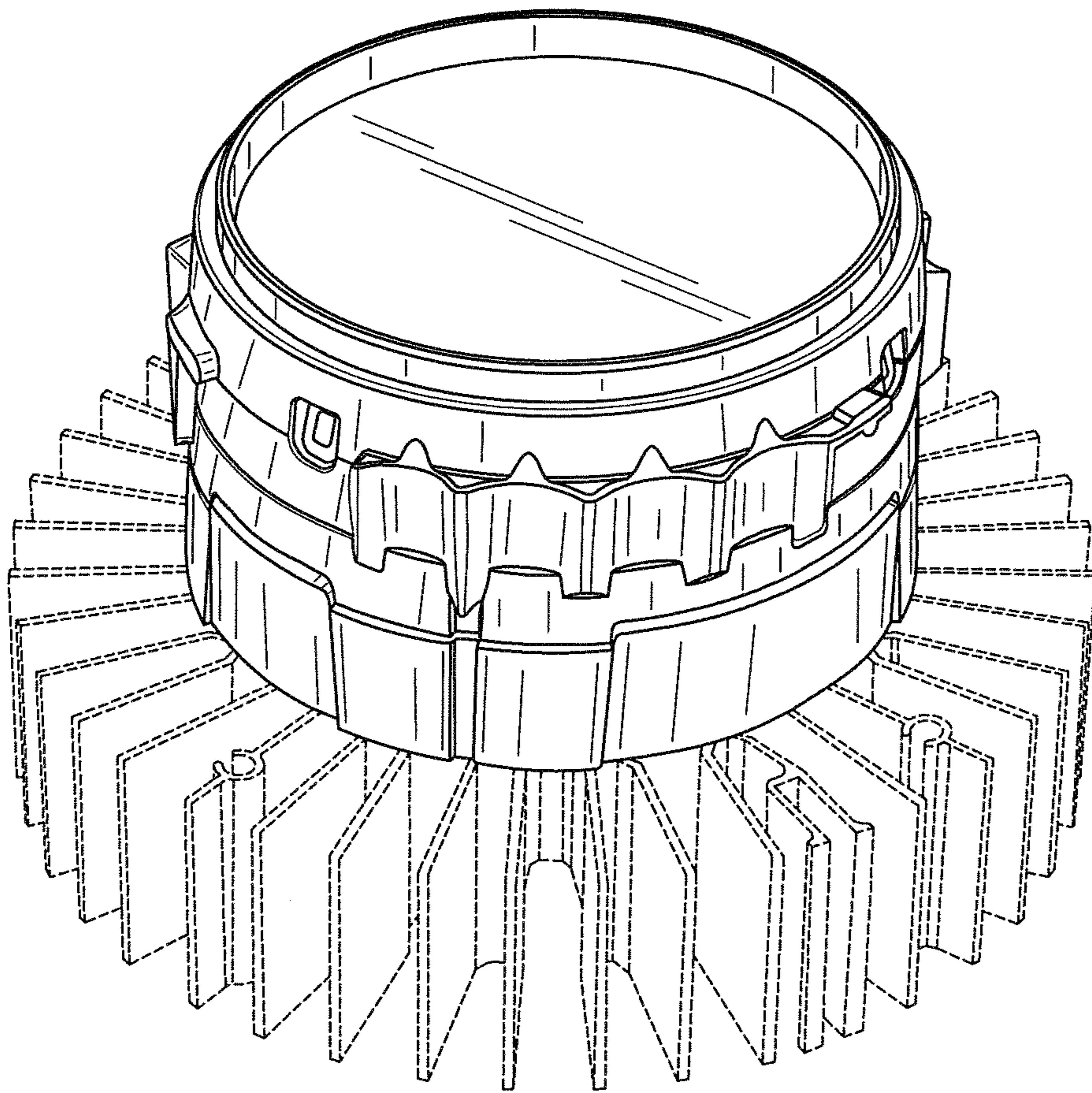


FIG. 1

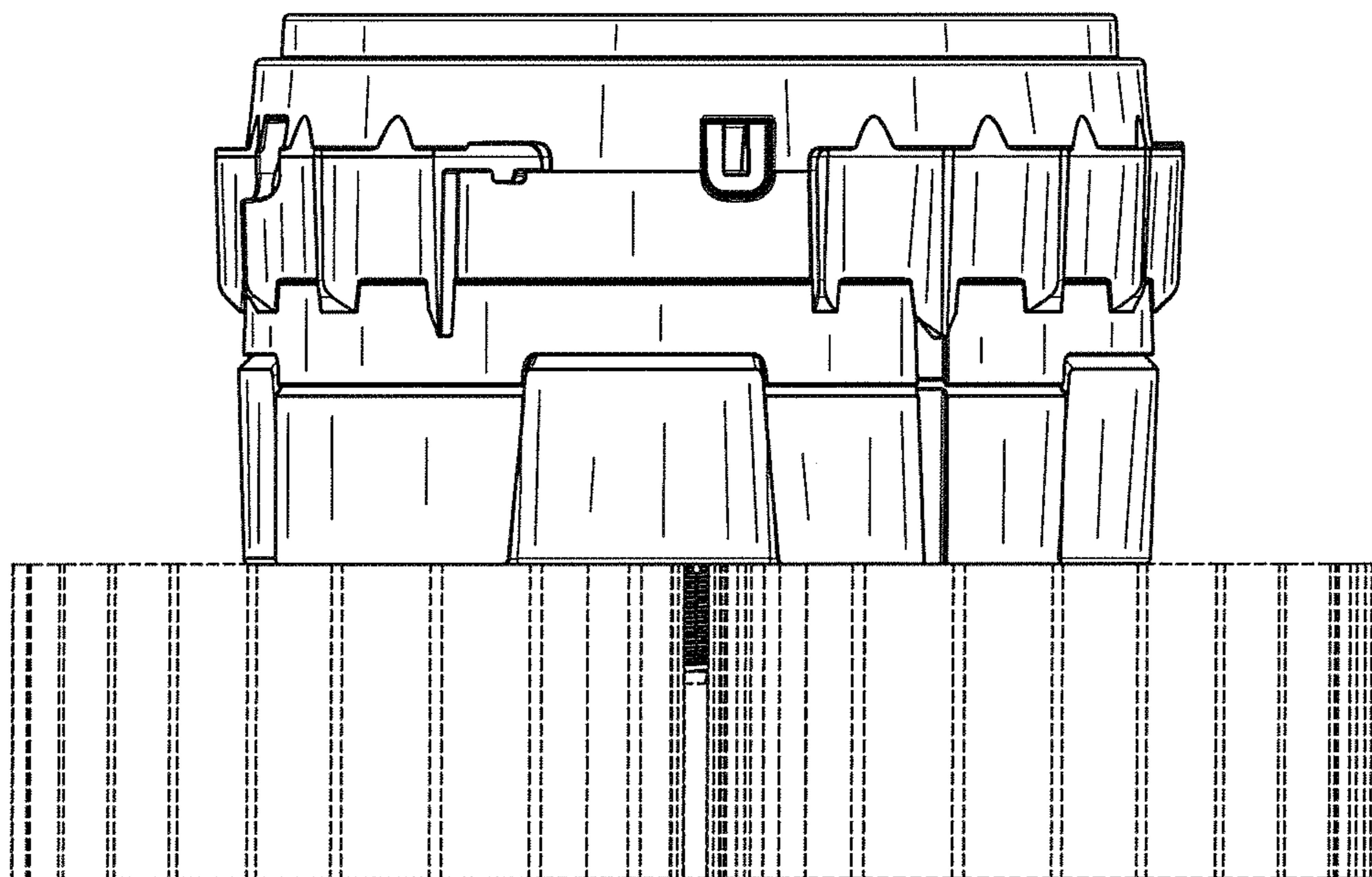


FIG. 2

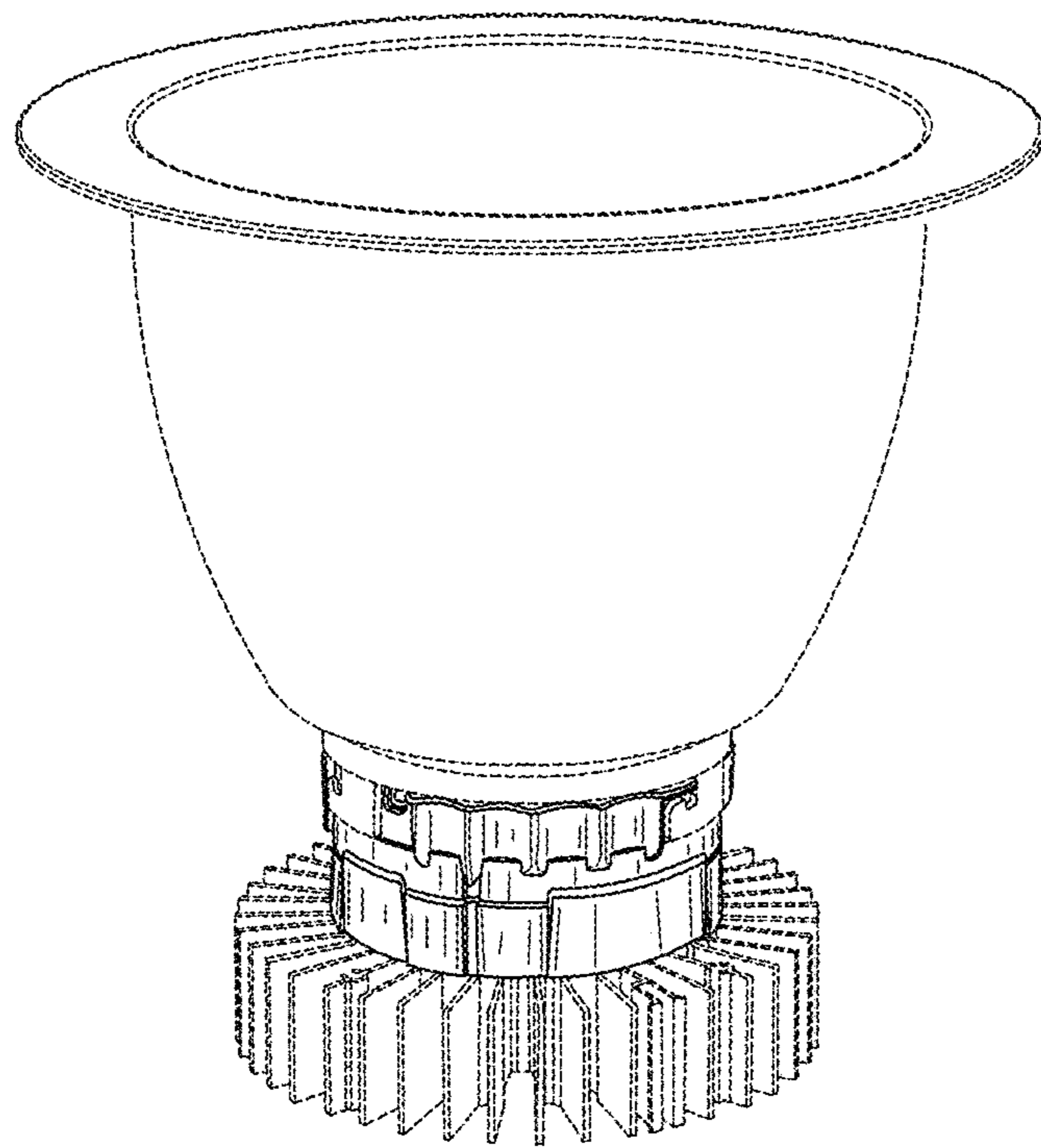


FIG. 3