



US00D803422S

(12) **United States Design Patent** (10) **Patent No.:** **US D803,422 S**
Fannan (45) **Date of Patent:** **** Nov. 21, 2017**

(54) **WINDOW COMPONENT EXTRUSION**

1/705; E06B 1/707; E06B 3/305; E06B
3/22; E06B 3/222; E06B 3/24; E06B
2003/66385

(71) Applicant: **Mikron Industries, Inc.**, Kent, WA
(US)

See application file for complete search history.

(72) Inventor: **Michael R. Fannan**, Pecatonica, IL
(US)

(56) **References Cited**

(73) Assignee: **Mikron Industries, Inc.**, Kent, WA
(US)

U.S. PATENT DOCUMENTS

(**) Term: **15 Years**

(21) Appl. No.: **29/569,973**

(22) Filed: **Jul. 1, 2016**

D336,962 S *	6/1993	Cole	D25/124
D338,721 S *	8/1993	Cole	D25/124
D338,973 S *	8/1993	Cole	D25/124
D379,529 S *	5/1997	DiGiorgio	D25/124
D495,808 S *	9/2004	Habeck	D25/119
D501,936 S *	2/2005	Kim	D25/124
D507,356 S *	7/2005	Jarrell	D25/124
D511,842 S *	11/2005	Kim	D25/60
D603,978 S *	11/2009	Lockbeam	D25/124
D608,906 S *	1/2010	Stephens	D25/60
D608,909 S *	1/2010	Stephens	D25/60
D619,729 S *	7/2010	Bernier	D25/124
D713,058 S *	9/2014	Kosonen	D25/124
D714,468 S *	9/2014	Fannan	D25/124
D718,878 S *	12/2014	Fannan	D25/119

(Continued)

Related U.S. Application Data

(62) Division of application No. 29/525,414, filed on Apr.
29, 2015, now Pat. No. Des. 777,949.

(51) **LOC (10) Cl.** **25-02**

(52) **U.S. Cl.**
USPC **D25/124**

(58) **Field of Classification Search**
USPC D25/35, 44, 48.7, 60, 119-125, 136-137,
D25/138, 139, 164, 199; 52/204.1, 204.2,
52/204.5, 204.51, 204.55, 204.61, 204.62,
52/204.69, 207.7, 204.72, 206, 208, 209,
52/212, 213, 215, 579, 656.2, 656.4,
52/656.5, 656.6, 656.7, 800.13, 717.01,
52/793.1, 794.1; D20/42, 43, 44;
D34/35

CPC ... E06B 1/00; E06B 1/006; E06B 1/02; E06B
1/04; E06B 1/045; E06B 1/12; E06B
1/16; E06B 1/34; E06B 1/342; E06B
1/345; E06B 1/347; E06B 1/36; E06B
1/363; E06B 1/366; E06B 1/38; E06B
1/40; E06B 1/52; E06B 1/522; E06B
1/524; E06B 1/526; E06B 1/528; E06B
1/56; E06B 1/60; E06B 1/6092; E06B
1/62; E06B 1/70; E06B 1/702; E06B

Primary Examiner — Cynthia Ramirez

Assistant Examiner — Llorellys Martinez-Rivera

(74) *Attorney, Agent, or Firm* — Zollinger & Burleson
Ltd.

(57) **CLAIM**

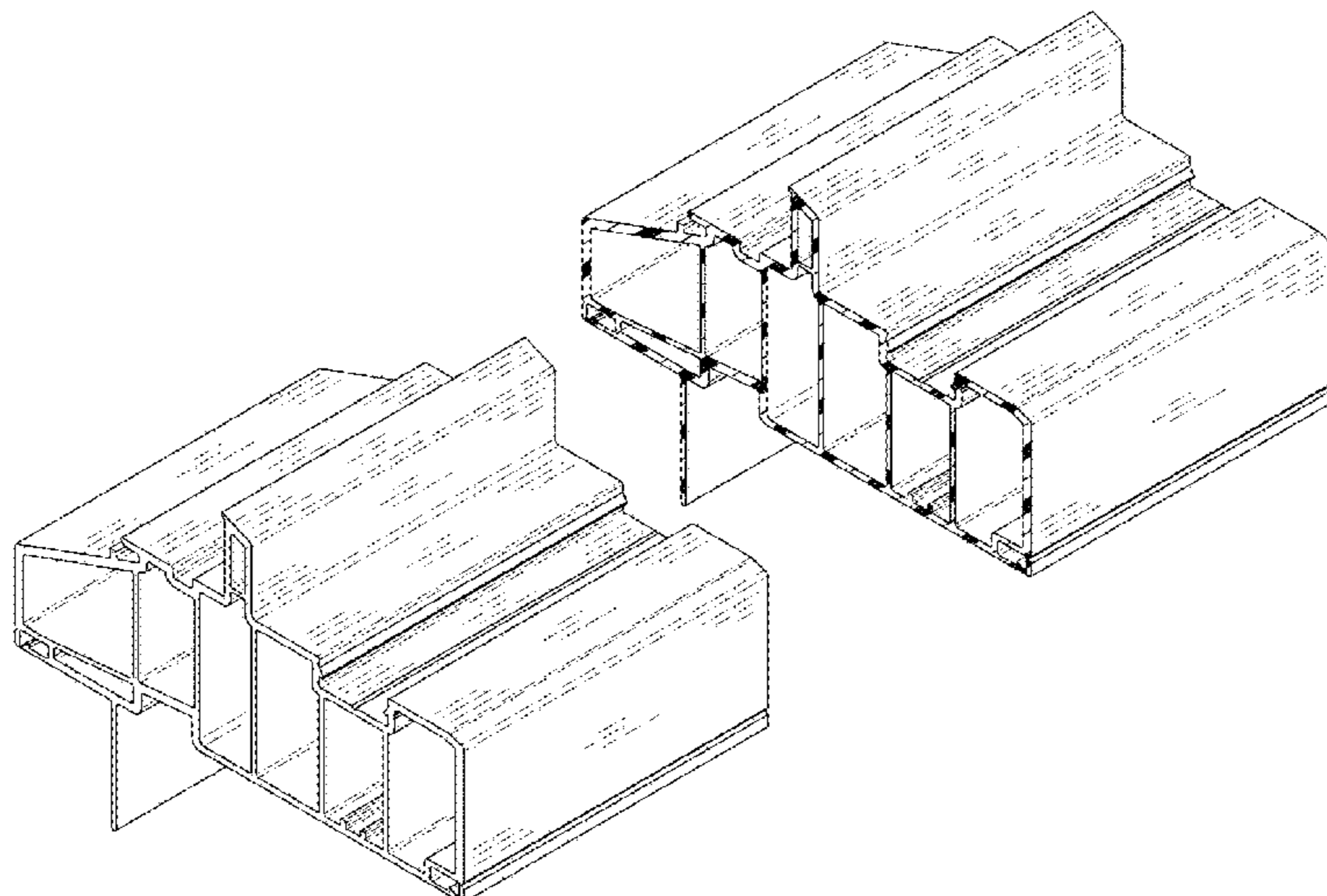
The ornamental design for a window component extrusion,
as shown and described.

DESCRIPTION

FIG. 1 is a top perspective view of a window component
extrusion showing my new design; and,
FIG. 2 is a bottom perspective view of the window compo-
nent extrusion in FIG. 1.

The window component extrusion is shown with a symbolic
break in its length. The appearance of any portion of the
window component extrusion between the break lines forms
no part of the claimed design.

1 Claim, 2 Drawing Sheets



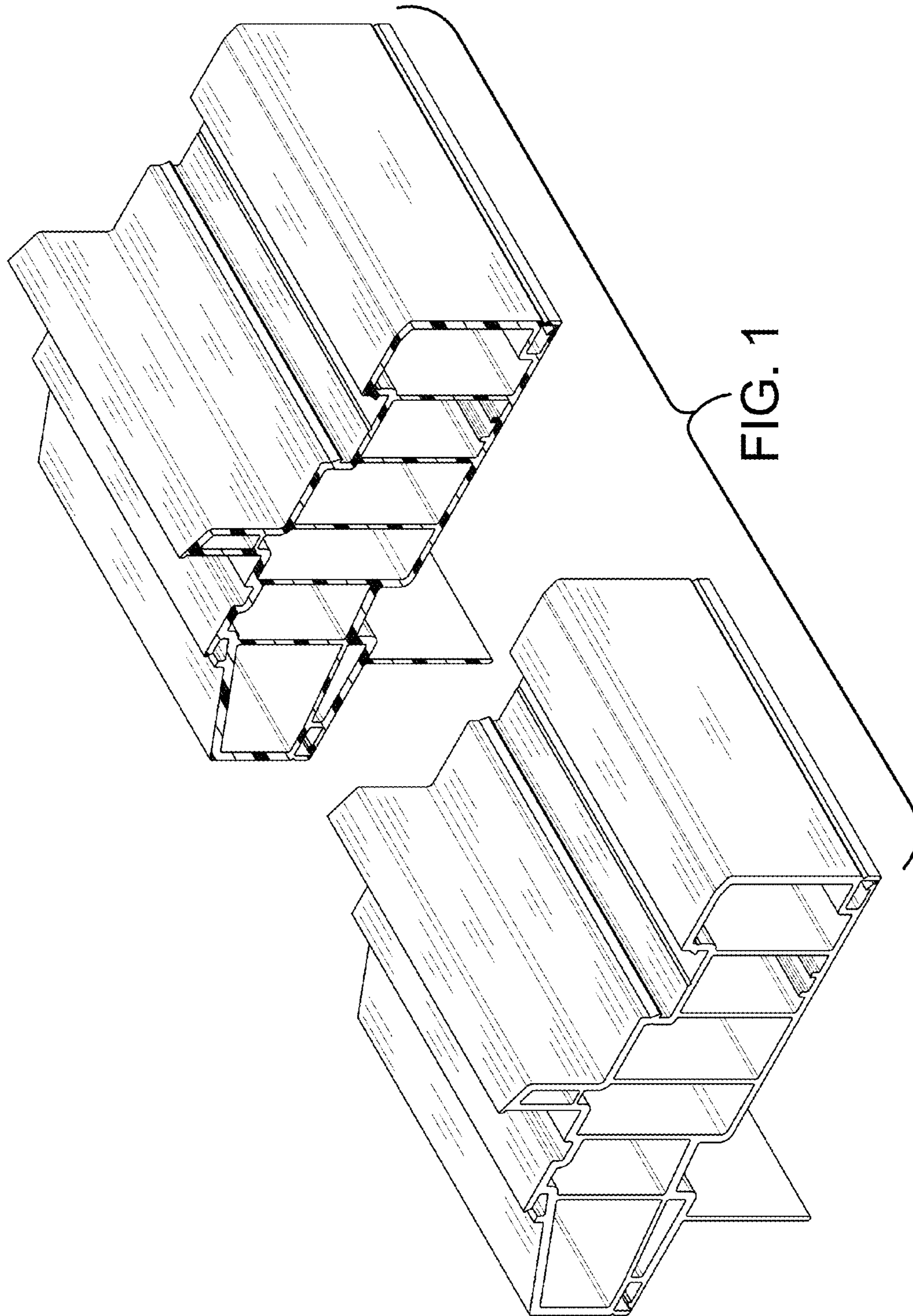
(56)

References Cited

U.S. PATENT DOCUMENTS

D720,084 S	*	12/2014	Wickland	D25/124
D720,085 S	*	12/2014	Wickland	D25/124
D725,295 S	*	3/2015	Fannan	D25/124
D732,204 S	*	6/2015	Campbell	D25/124
D777,949 S	*	1/2017	Fannan	D25/124

* cited by examiner



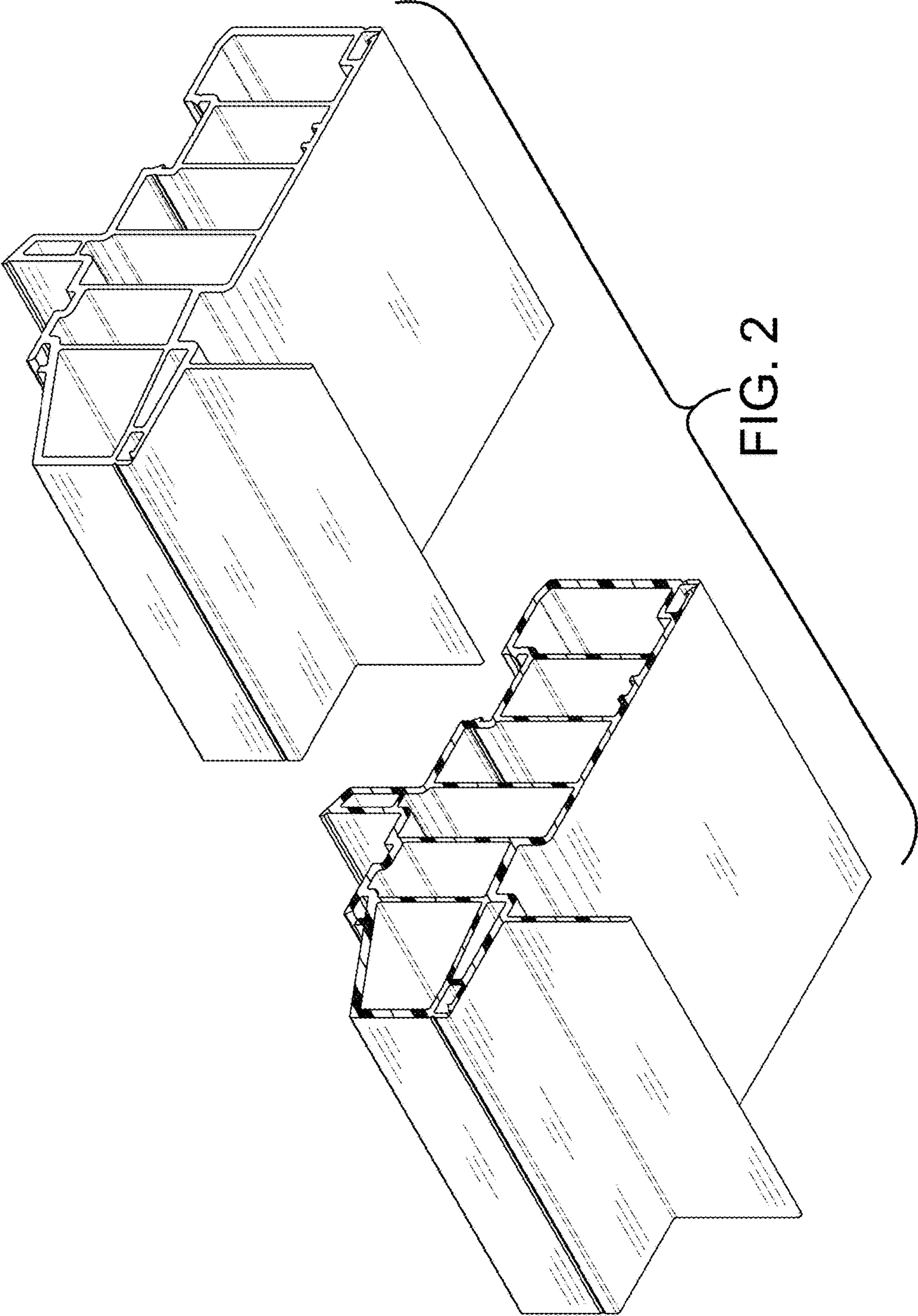


FIG. 2