



US00D803419S

(12) **United States Design Patent**
Faibish et al.

(10) **Patent No.:** **US D803,419 S**

(45) **Date of Patent:** **** Nov. 21, 2017**

- (54) **FOLDING SAWHORSE**
- (71) Applicant: **The Stanley Works Israel Ltd.**, Rosh Ha' Ayin (IL)
- (72) Inventors: **Abraham Faibish**, Moshav Tal Shahar (IL); **Michael Menirom**, Raanana (IL)
- (73) Assignee: **THE STANLEY WORKS ISRAEL LTD** (IL)
- (**) Term: **15 Years**
- (21) Appl. No.: **29/561,169**
- (22) Filed: **Apr. 14, 2016**
- (30) **Foreign Application Priority Data**

4,489,808	A *	12/1984	Voye	B25H 1/06
					182/155
D379,236	S *	5/1997	Sheftel	D25/67
D409,764	S *	5/1999	Laga	D25/68
7,021,424	B2 *	4/2006	Herman	B25H 1/06
					182/224
D584,421	S *	1/2009	Wise	D25/67
D634,858	S *	3/2011	Landau	D25/67
D638,141	S *	5/2011	Busschaert	D25/67
8,439,165	B2 *	5/2013	Busschaert	B25H 1/04
					182/155
2010/0288585	A1 *	11/2010	Katz	B25H 1/06
					182/155

- Oct. 16, 2015 (EM) 002826107
- (51) **LOC (10) Cl.** **08-99**
- (52) **U.S. Cl.**
USPC **D25/67**
- (58) **Field of Classification Search**
USPC D25/62, 67, 68, 38, 58; 182/181.1, 182/186.3, 182.1, 154, 182.4, 186.1, 155, 182/153, 185.1, 224, 186.5, 152, 179.1, 182/184, 181, 185, 186, 183.1, 186.7, 182/178.1, 66.1, 182.2, 194, 67.4, 64.1, 182/101, 102, 106, 115, 112, 120, 121, 182/228.1, 228.2, 182, 225-227, 113; 248/163.2, 201, 166, 188.8, 228.1, 188, 248/163.1, 411, 431, 161, 200, 238, 248/218.4, 219.1; 269/901; D6/311-312; D8/349, 354, 380-382, 394, 373; 403/205, 373, 382, 402, 170, 217
CPC ... B25H 1/06; B25H 1/04; B25H 1/08; B25H 1/10; B25H 3/00; B27B 17/0075
See application file for complete search history.

* cited by examiner

Primary Examiner — Cynthia Ramirez

Assistant Examiner — Gino Colan

(74) *Attorney, Agent, or Firm* — Carl E. Myers

(56) **References Cited**

U.S. PATENT DOCUMENTS

1,450,869	A *	4/1923	Reinelt	B25H 1/06
					182/153

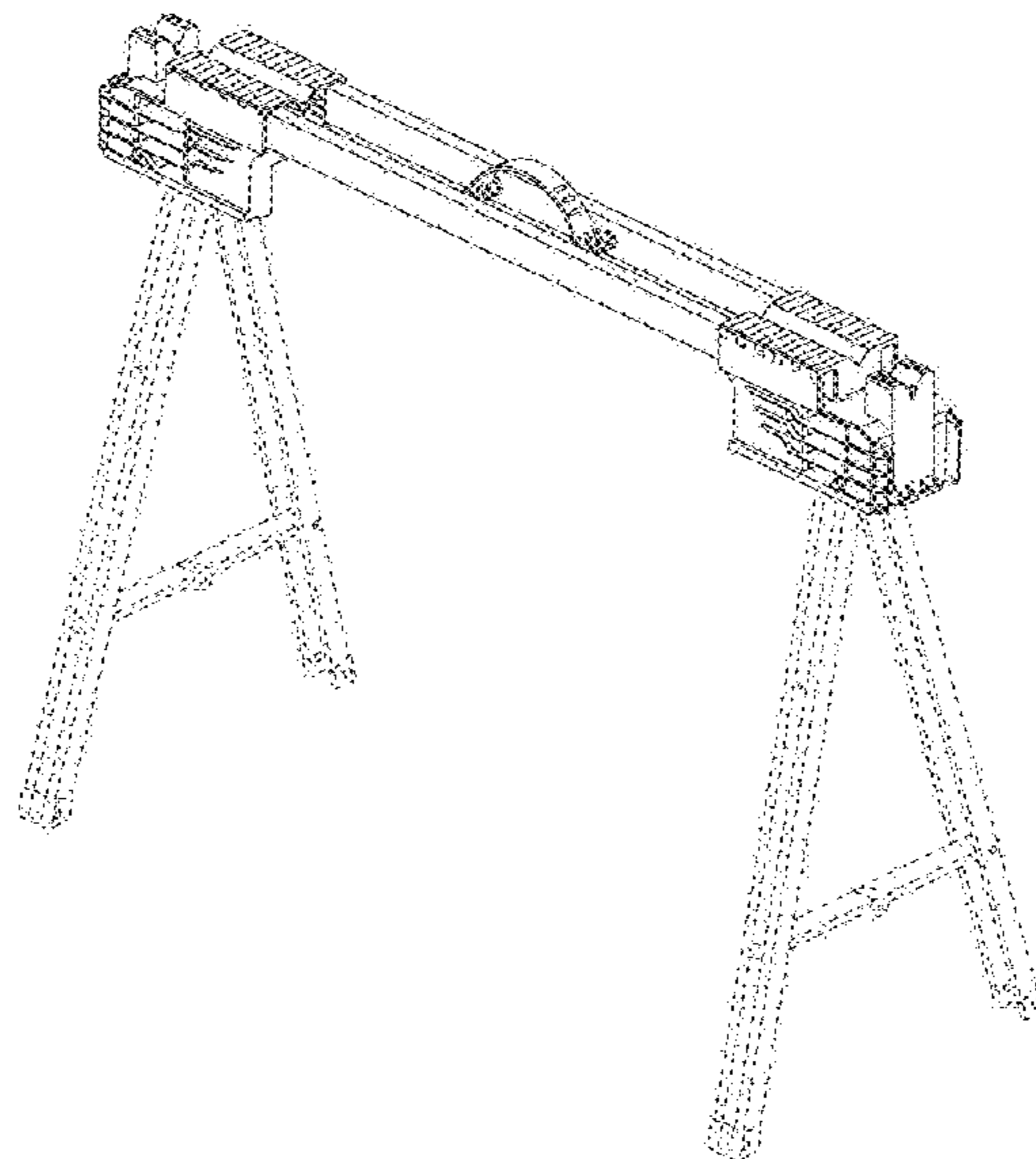
(57) **CLAIM**

The ornamental design for a folding sawhorse, as shown and described.

DESCRIPTION

FIG. 1 is a perspective view of a folding sawhorse showing our new design;
 FIG. 2 is a front elevational view thereof;
 FIG. 3 is a rear elevational view thereof;
 FIG. 4 is a left side elevational view thereof;
 FIG. 5 is a right side elevational view thereof;
 FIG. 6 is a top plan view thereof; and,
 FIG. 7 is a bottom plan view thereof.
 The broken lines shown in the drawings illustrated portions of the folding sawhorse that form no part of the claimed design.

1 Claim, 7 Drawing Sheets



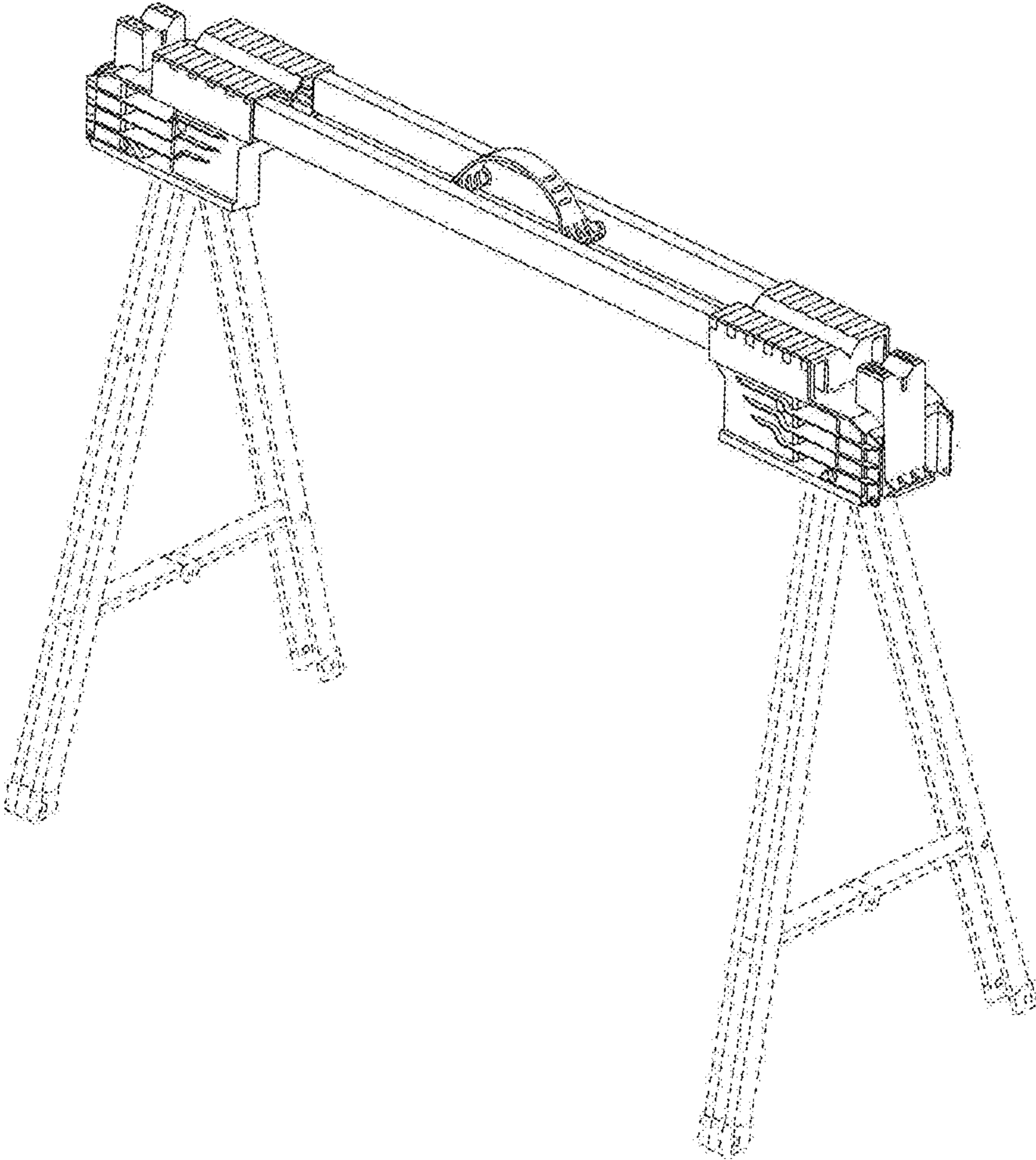


FIG. 1

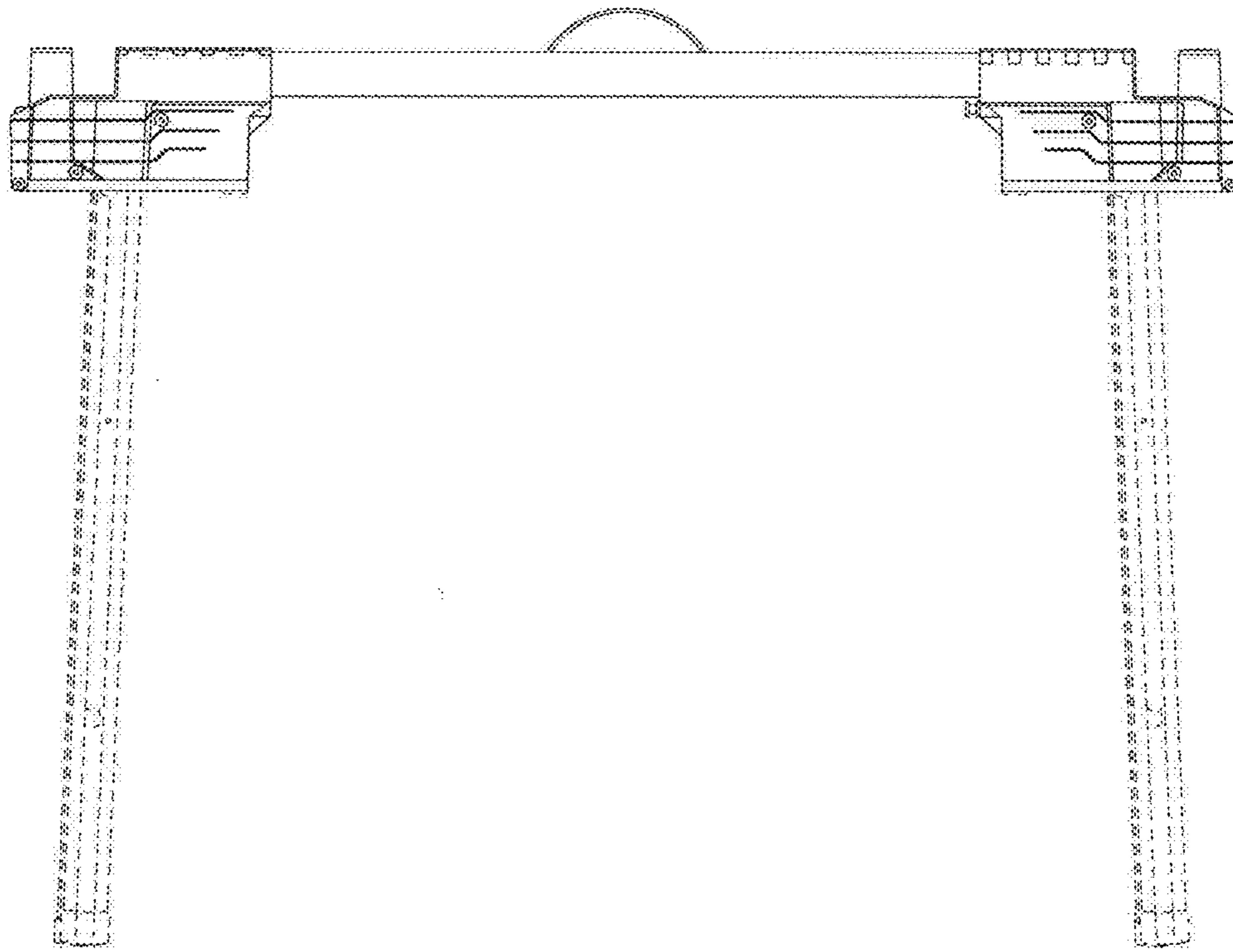


FIG. 2

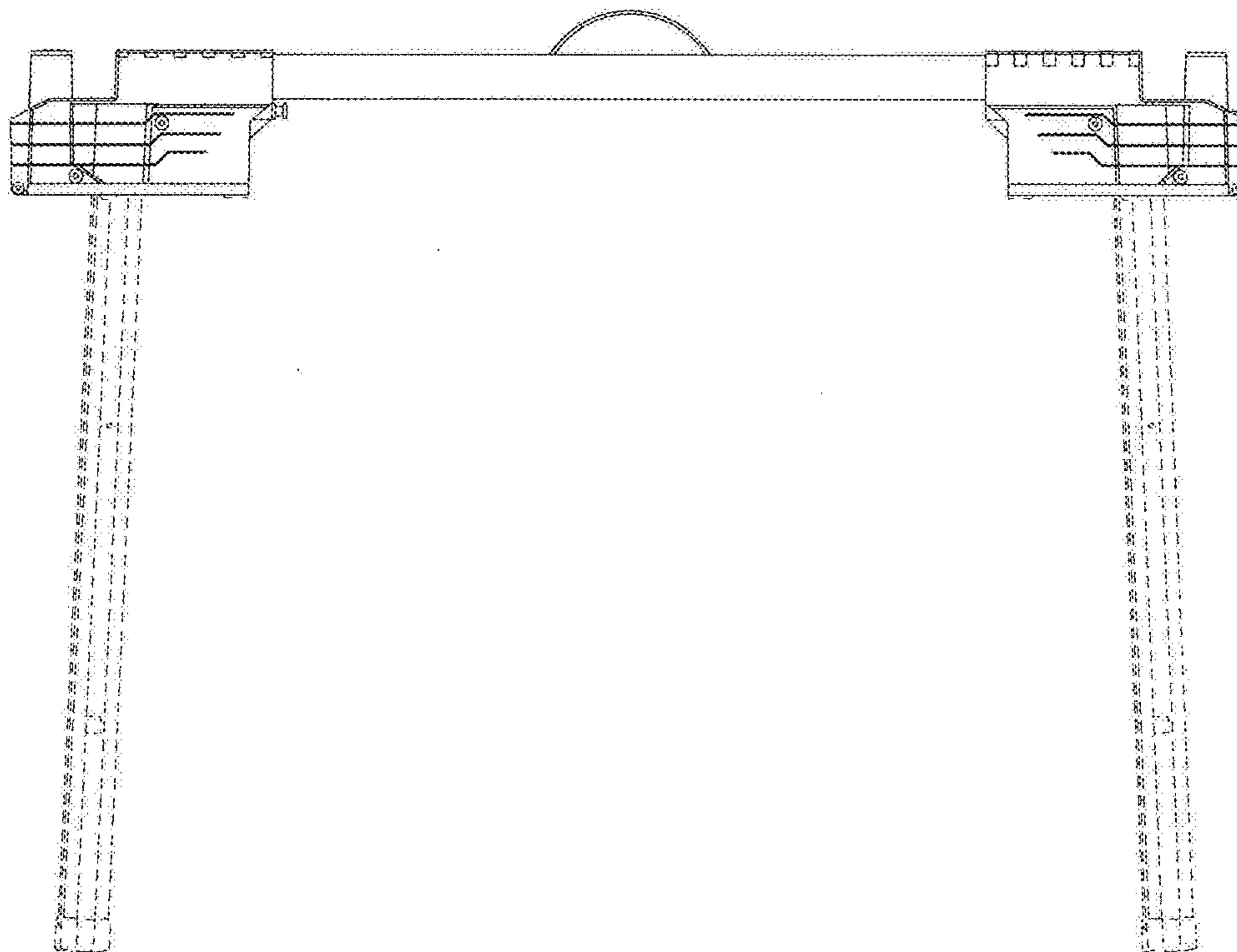


FIG. 3

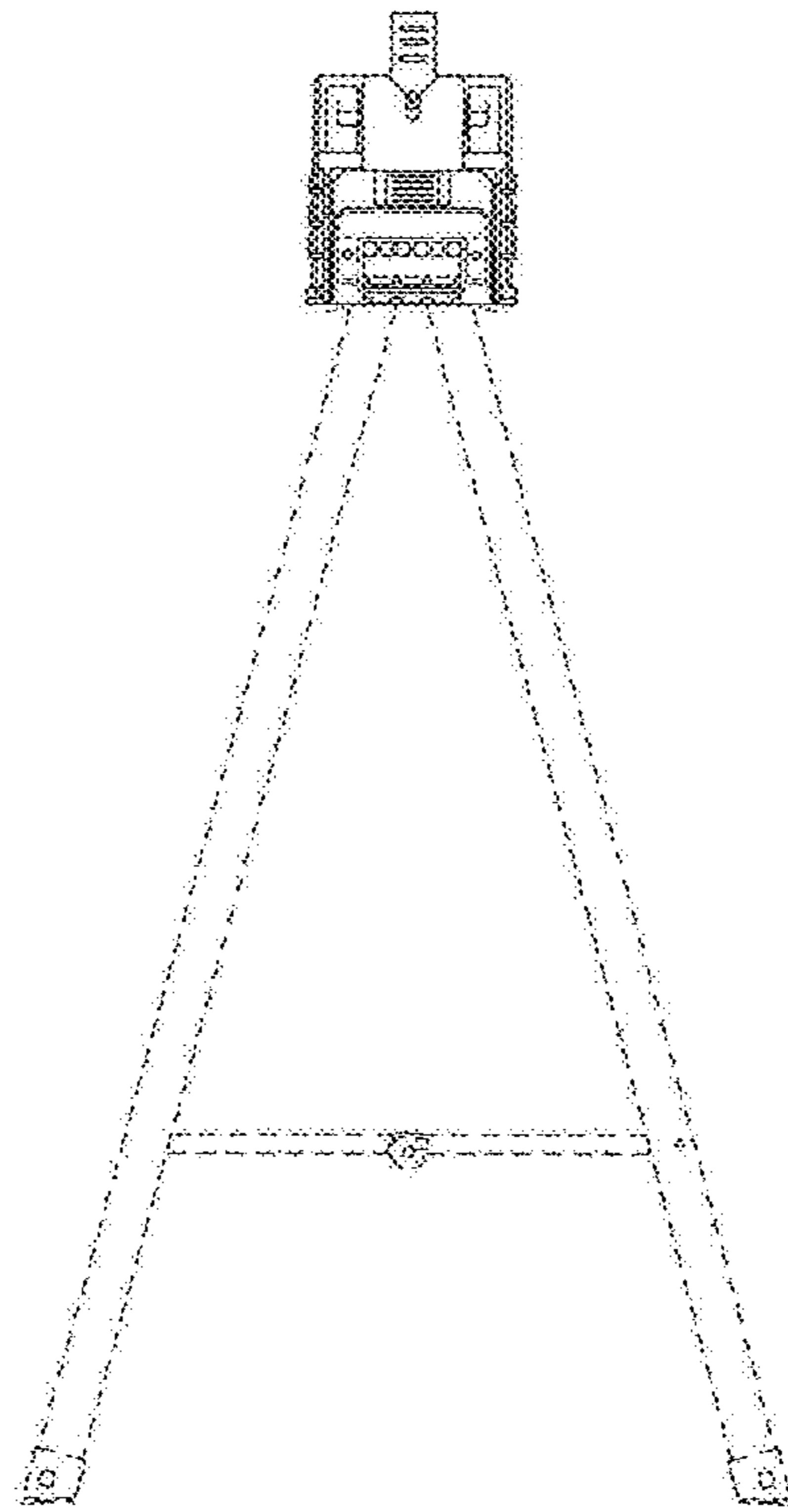


FIG. 4

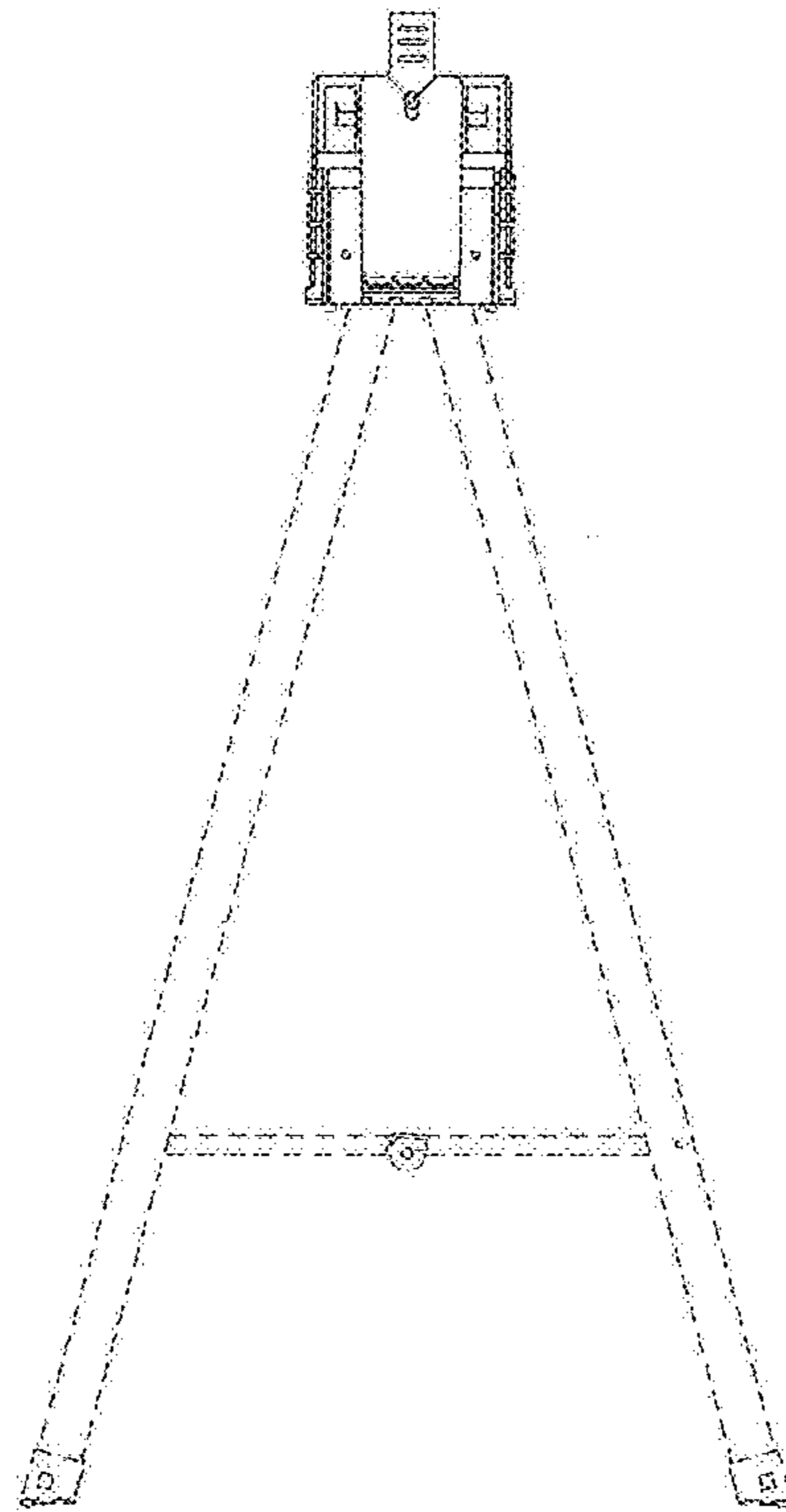


FIG. 5

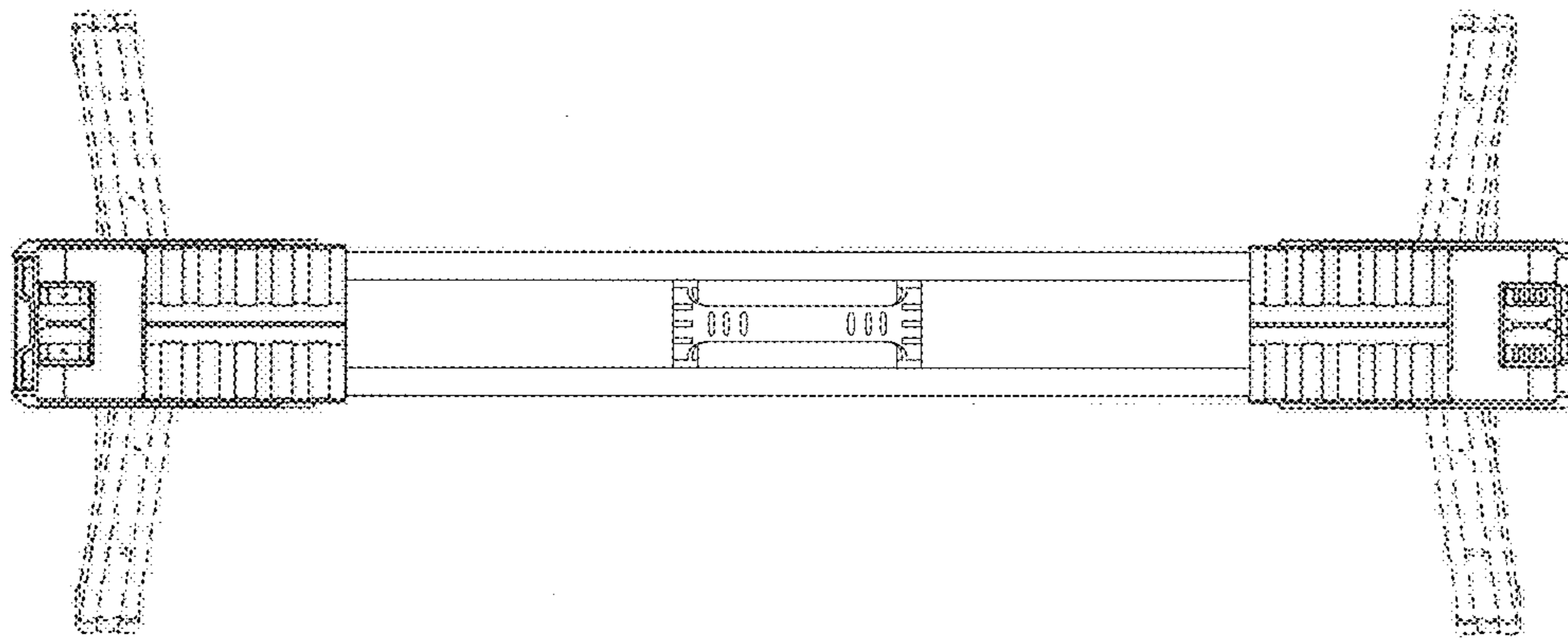


FIG. 6

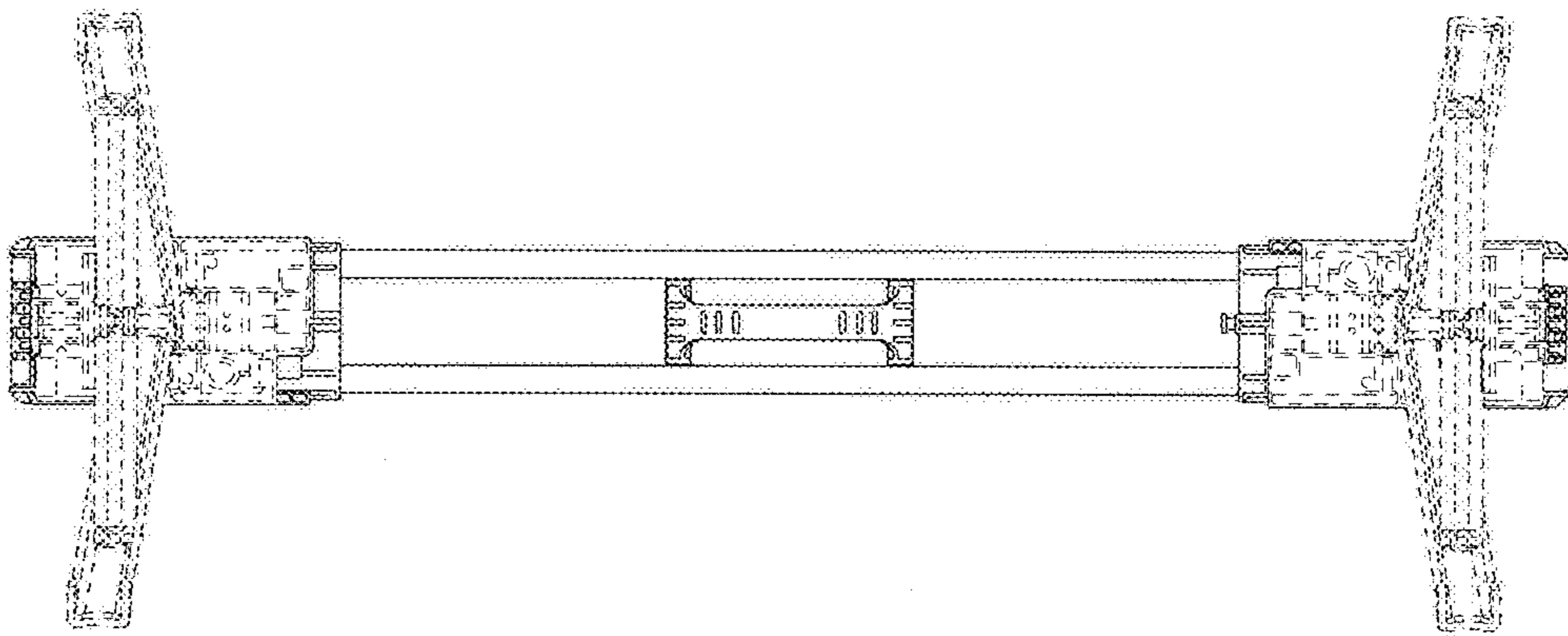


FIG. 7