



US00D803418S

(12) **United States Design Patent** (10) **Patent No.:** **US D803,418 S**  
**Annibale** (45) **Date of Patent:** **\*\* Nov. 21, 2017**

(54) **STRUCTURAL BUILDING PANEL**  
(71) Applicant: **Debra Annibale**, Prescott, AZ (US)  
(72) Inventor: **Debra Annibale**, Prescott, AZ (US)  
(\*\*) Term: **15 Years**  
(21) Appl. No.: **29/505,343**

D656,247 S \* 3/2012 De Lucchi ..... D25/138  
D679,173 S \* 4/2013 Parady ..... D8/354  
D711,012 S \* 8/2014 Jorge ..... D25/58  
(Continued)

(22) Filed: **Sep. 18, 2015**  
(51) **LOC (10) Cl.** ..... **25-02**  
(52) **U.S. Cl.**  
USPC ..... **D25/58**  
(58) **Field of Classification Search**  
USPC ..... D6/332; D25/55, 58, 60, 61, 119, 120,  
D25/123, 125, 126, 136, 138, 139, 164;  
52/236.1, 238.1, 239, 589.1  
CPC ..... E04B 2/7451; E04B 5/12  
See application file for complete search history.

**FOREIGN PATENT DOCUMENTS**

CN 302938516 \* 9/2014  
JP D1081394 \* 7/2000

**OTHER PUBLICATIONS**

<http://www.heatply.com/> Retrieved Feb. 14, 2017.\*

*Primary Examiner* — Susan Bennett Hattan  
*Assistant Examiner* — Leanne Was-Englehart

(57) **CLAIM**

The ornamental design for a structural building panel, as shown and described.

**DESCRIPTION**

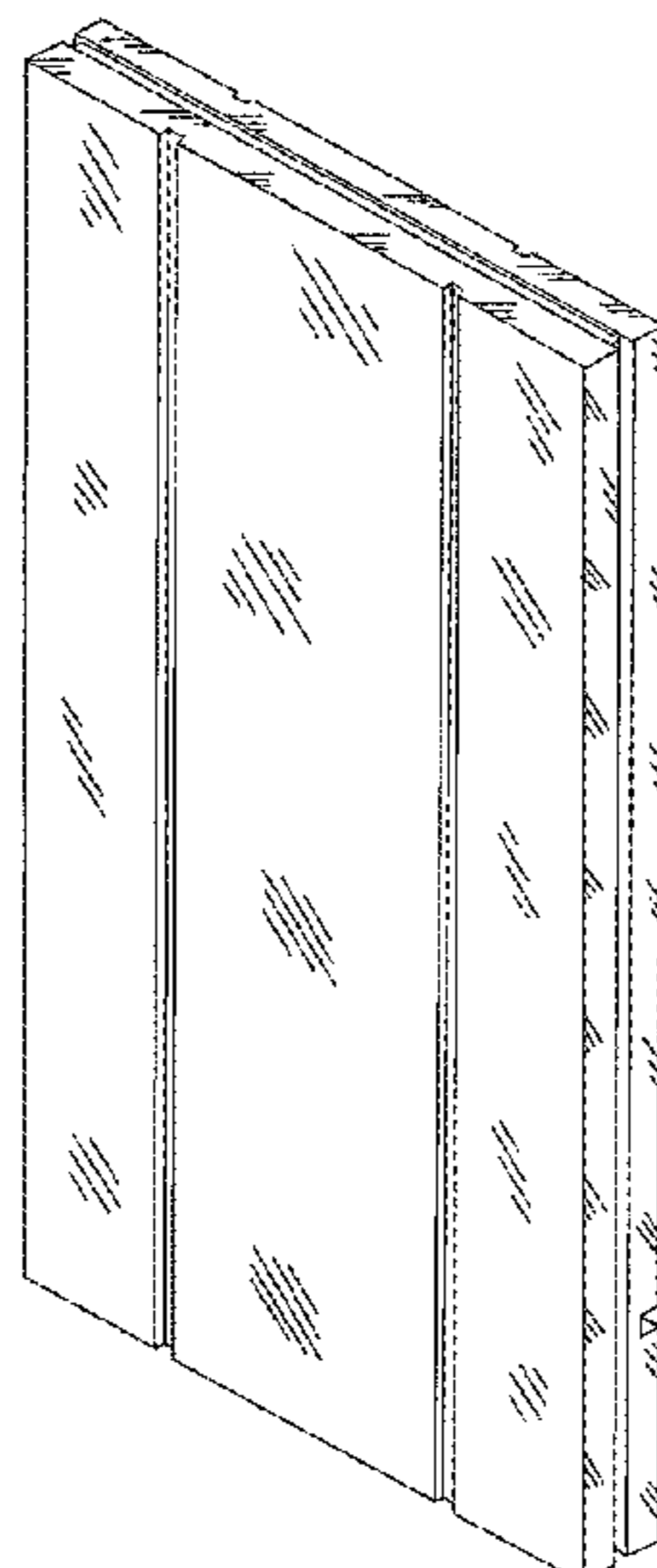
1. FIG. 1 is a perspective view showing my new design for a structural building panel from the front, top, and right side;
2. FIG. 2 is a perspective view thereof showing the design from the front, top and left side;
3. FIG. 3 is a perspective view thereof showing the design from the rear, top and left side;
4. FIG. 4 is a perspective view thereof showing the design from the top, rear and right side;
5. FIG. 5 is a perspective view thereof showing the design from the front, bottom, and left side;
6. FIG. 6 is a perspective view thereof showing the design from the bottom, rear and right side;
7. FIG. 7 is a right-side elevational view thereof;
8. FIG. 8 is a left-side elevational view thereof;
9. FIG. 9 is a front elevational view thereof;
10. FIG. 10 is a rear elevational view thereof;
11. FIG. 11 is a top plan view thereof; and,
12. FIG. 12 is a bottom plan view thereof and is a mirror image of the view in FIG. 11.

(56) **References Cited**

**U.S. PATENT DOCUMENTS**

1,286,462 A \* 12/1918 Wesche ..... A63H 33/105  
211/189  
2,975,089 A \* 3/1961 Hargreaves ..... A47G 27/0212  
428/168  
3,530,633 A \* 9/1970 Scott ..... E04B 1/6145  
52/235  
D366,534 S \* 1/1996 McMahon ..... D25/139  
D373,836 S \* 9/1996 Bado ..... D25/138  
5,689,924 A \* 11/1997 Mason ..... E04B 2/7416  
160/351  
D393,907 S \* 4/1998 Current ..... D25/122  
D407,501 S \* 3/1999 Shipman ..... D25/138  
D487,160 S \* 2/2004 Forbis ..... D25/126  
D501,933 S \* 2/2005 Dinter ..... D25/113  
D503,000 S \* 3/2005 Forbis ..... D25/126  
D533,284 S \* 12/2006 Bledsoe ..... D25/138  
D537,544 S \* 2/2007 Bledsoe ..... D25/138  
D565,747 S \* 4/2008 Forbis ..... D25/126  
D622,874 S \* 8/2010 Cantley ..... D25/138

**1 Claim, 11 Drawing Sheets**



(56)

**References Cited**

U.S. PATENT DOCUMENTS

D722,395	S *	2/2015	Britton .....	D25/138
D751,223	S *	3/2016	Muxlow .....	D25/138
D767,797	S *	9/2016	Birol .....	D25/138
2005/0284060	A1 *	12/2005	Ritchie .....	E04C 2/22 52/309.7
2011/0047912	A1 *	3/2011	Armijo .....	E04B 1/12 52/309.4
2014/0190105	A1 *	7/2014	Babson .....	E04B 1/26 52/309.1

\* cited by examiner

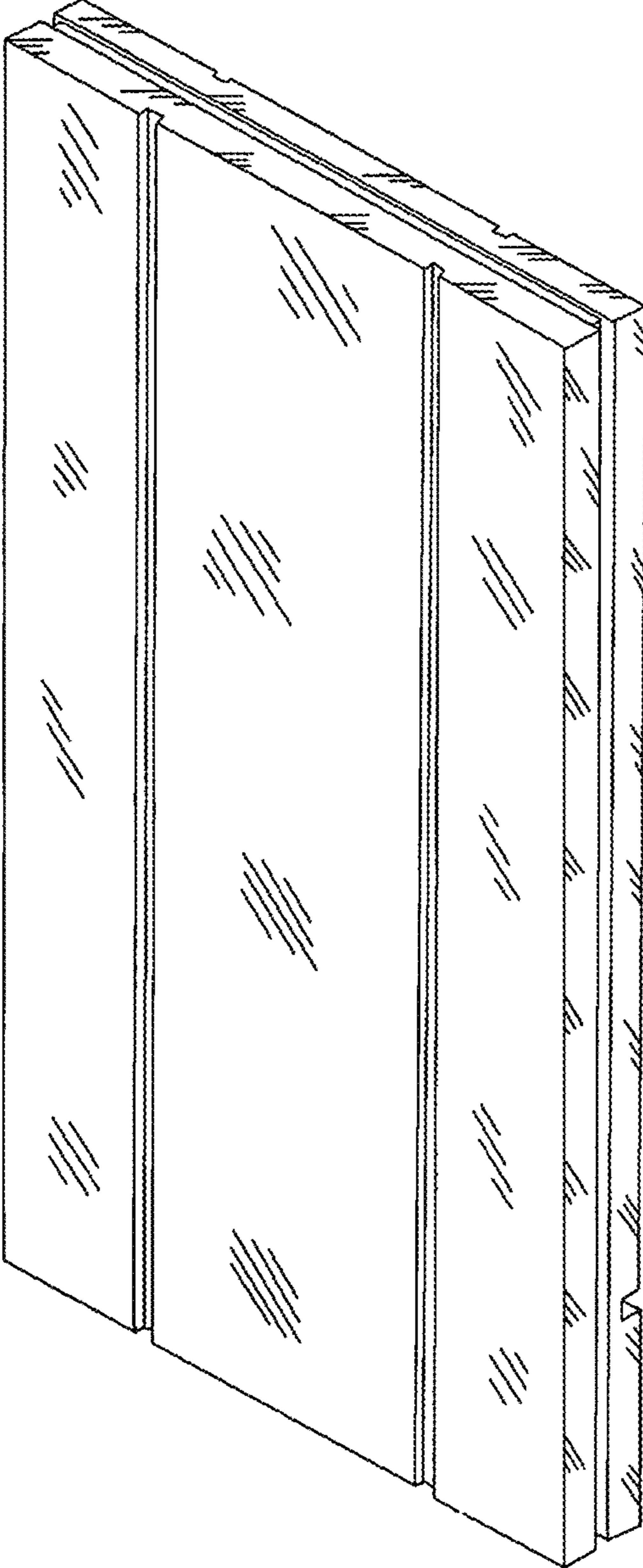


Fig. 1

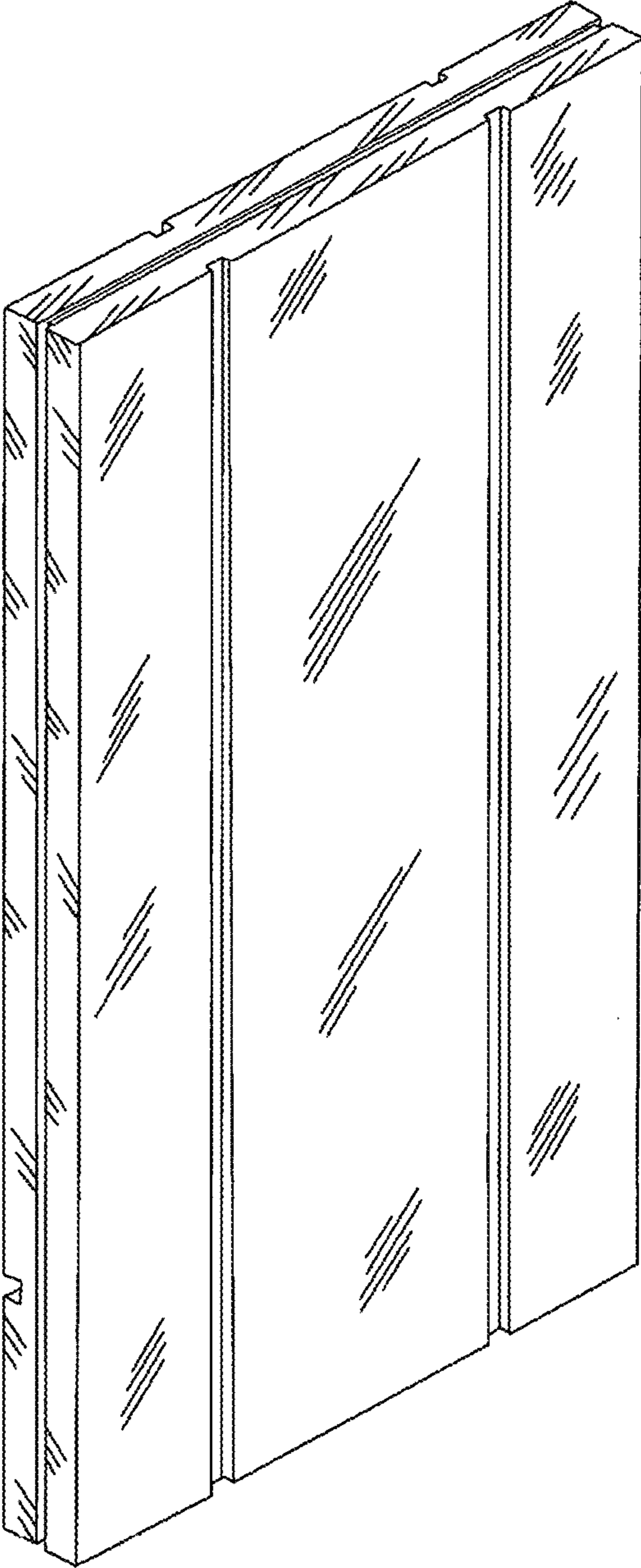


Fig 2

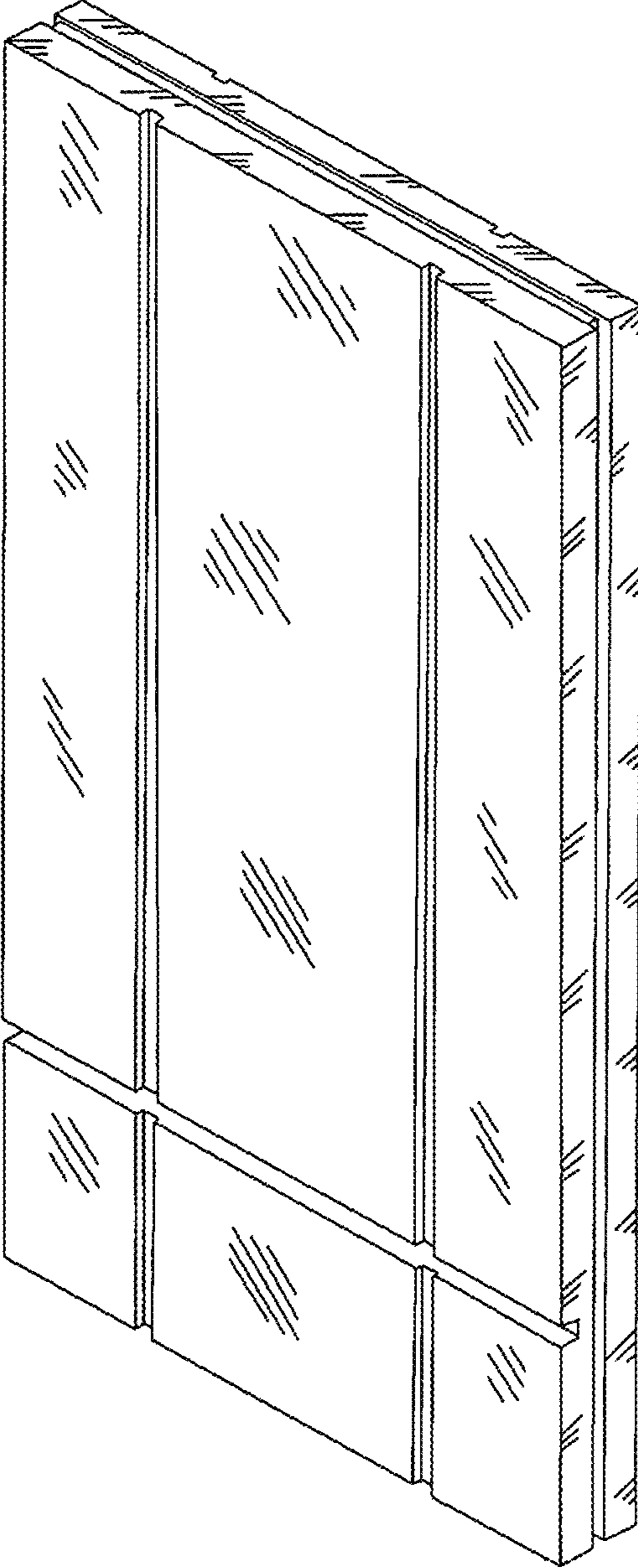


Fig 3

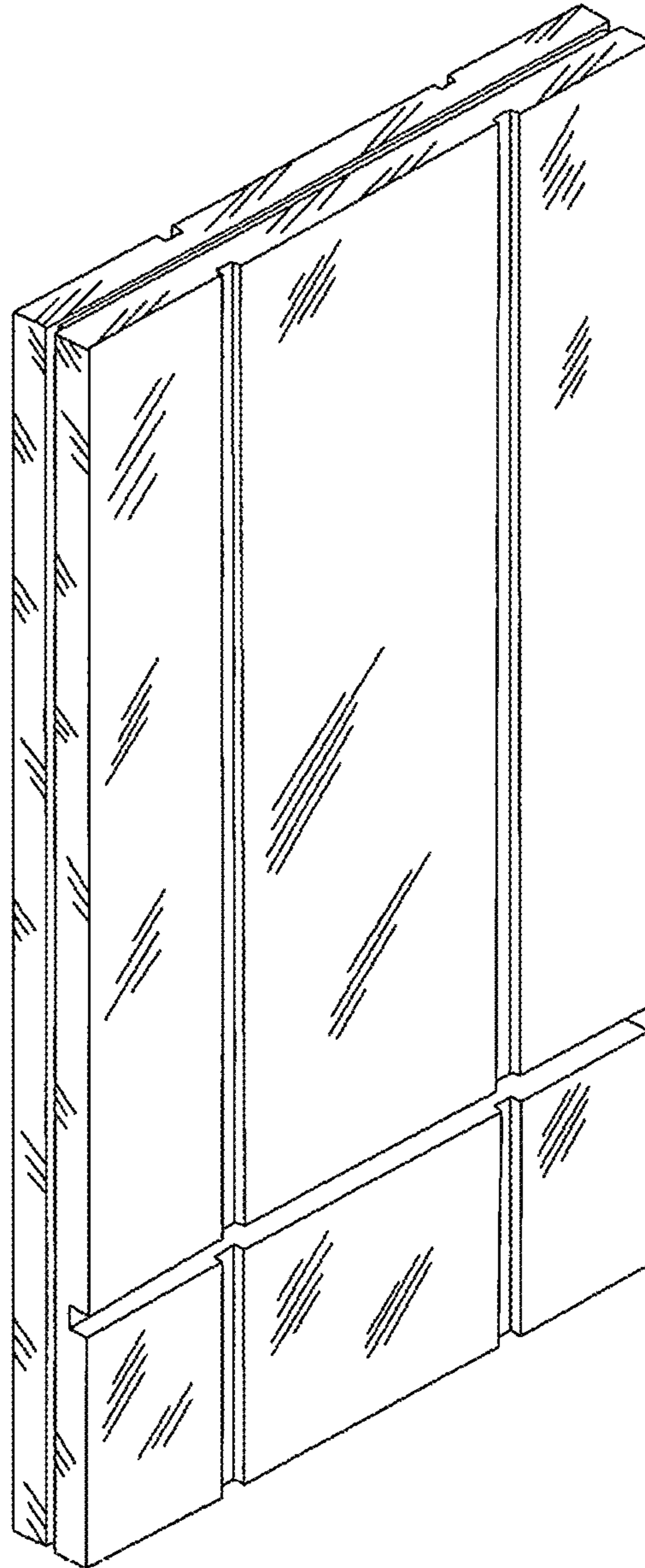


Fig . 4

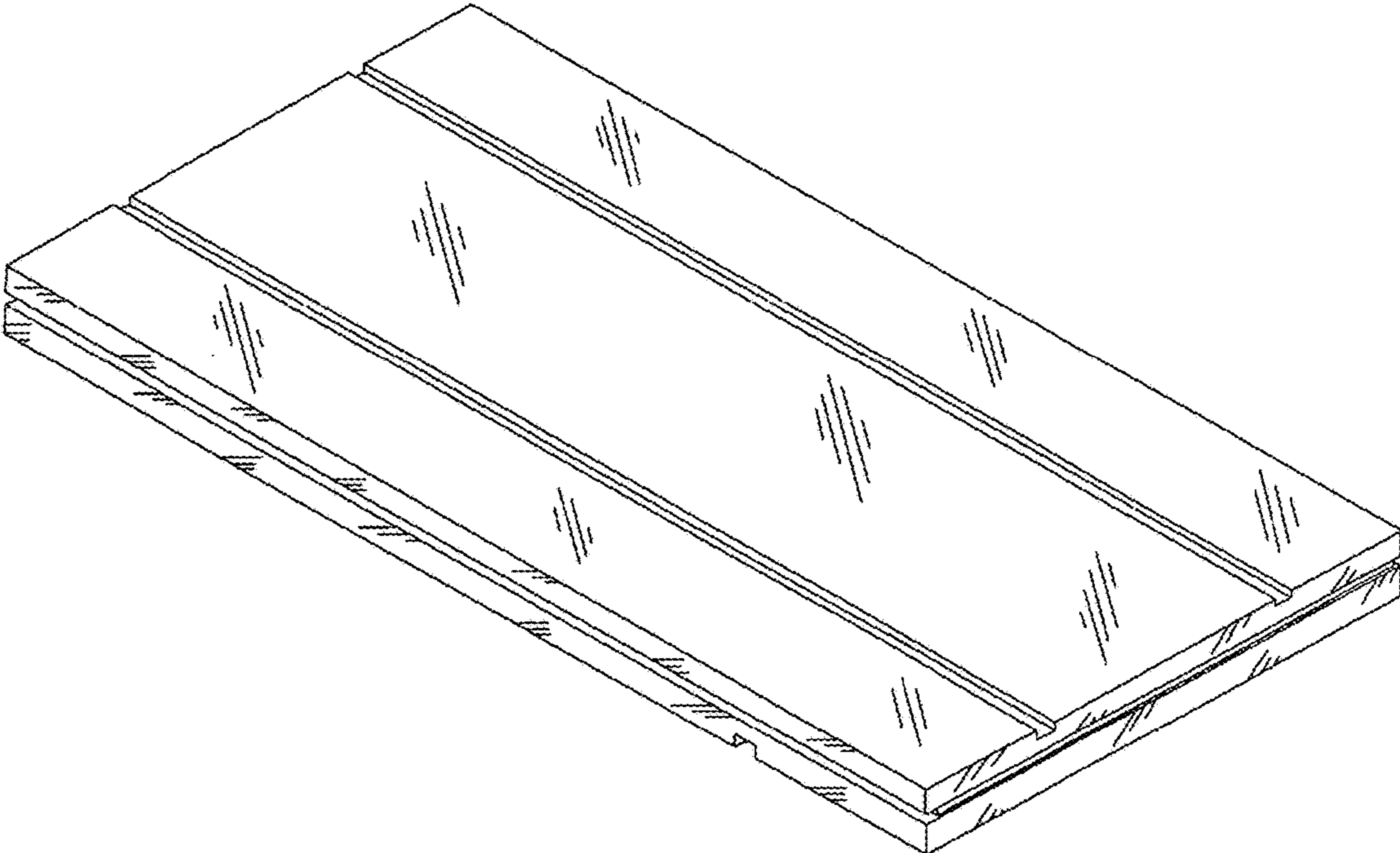


Fig. 5

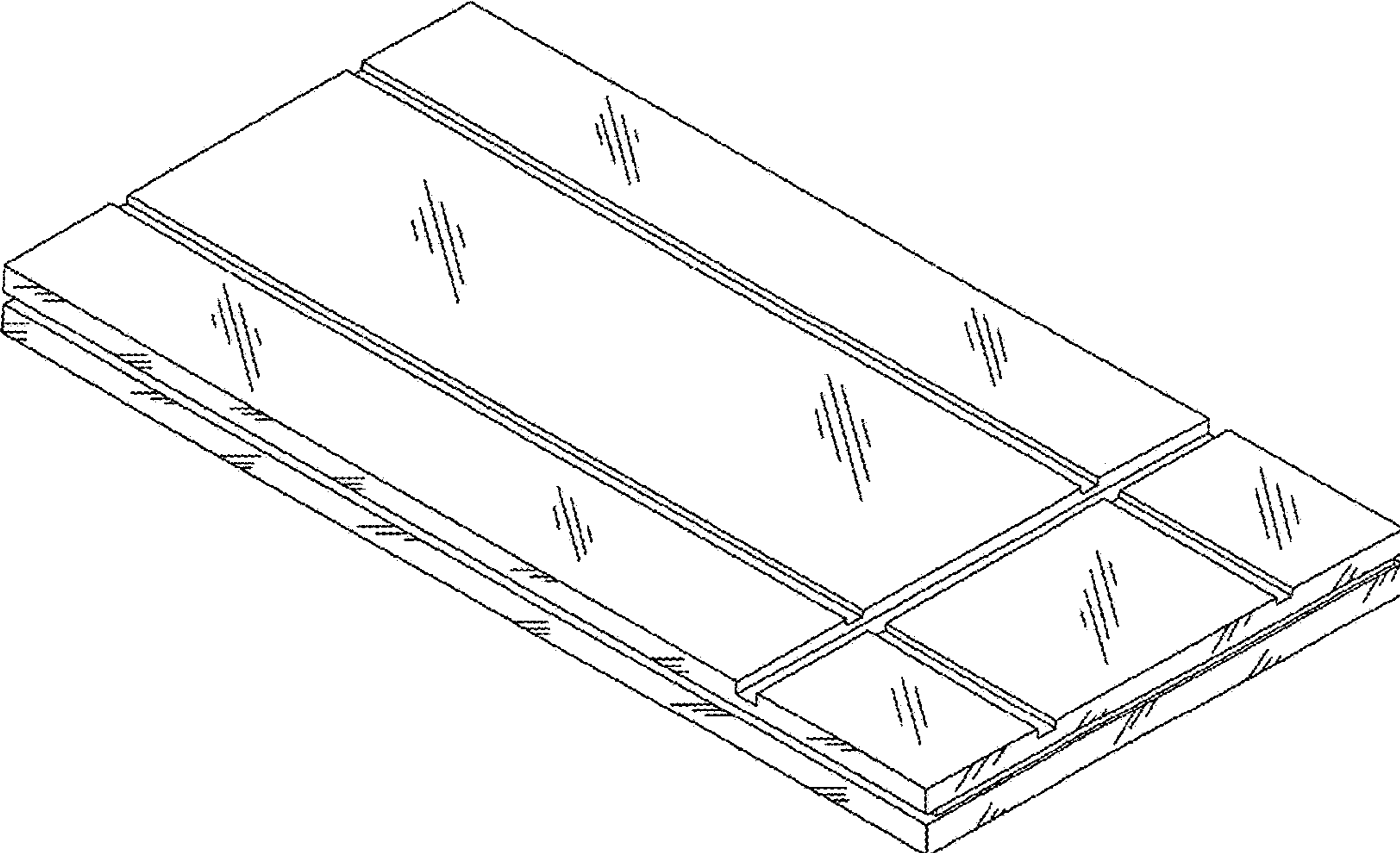


Fig. 6





Fig 7



Fig. 8

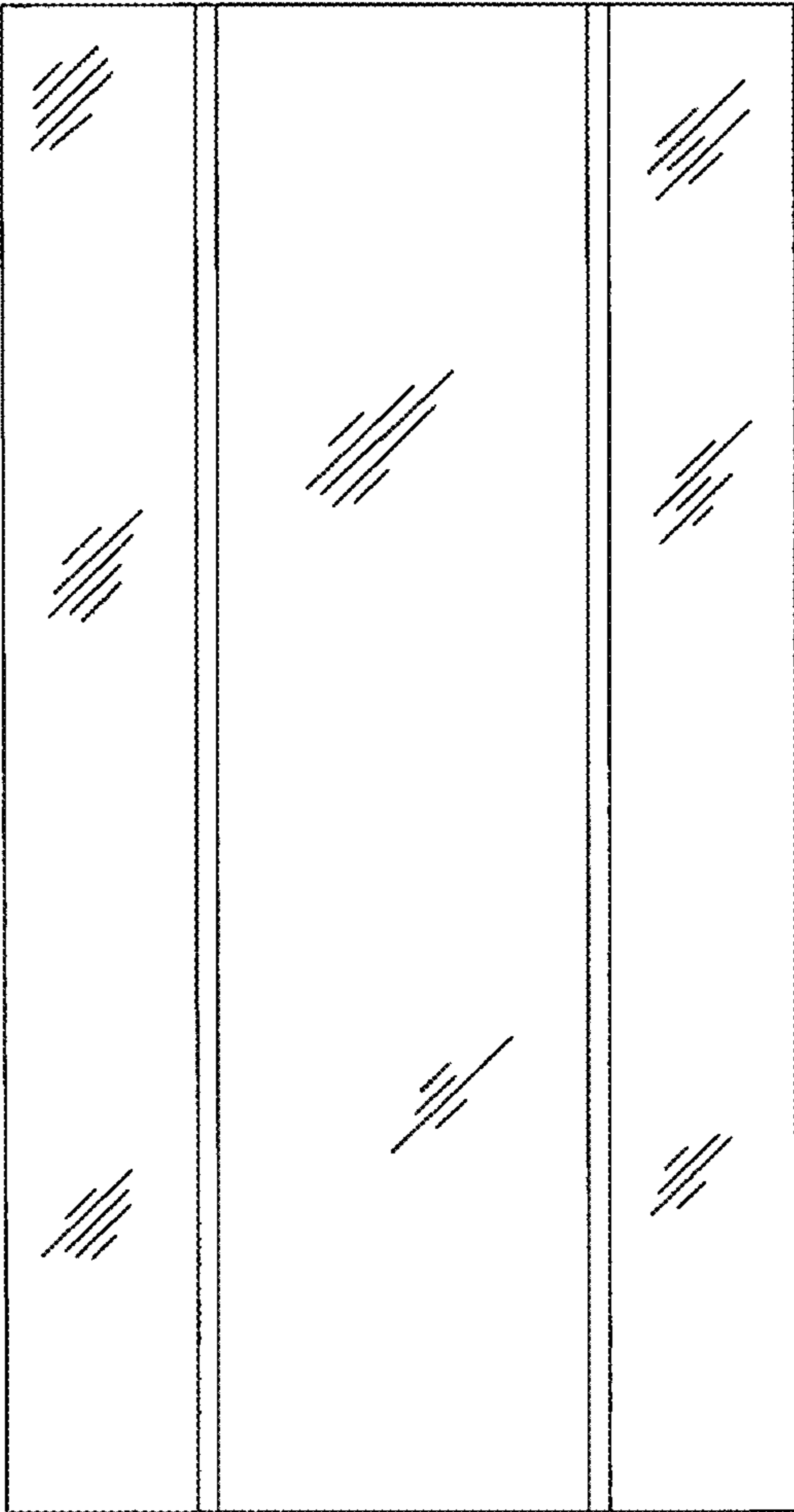


Fig. 9

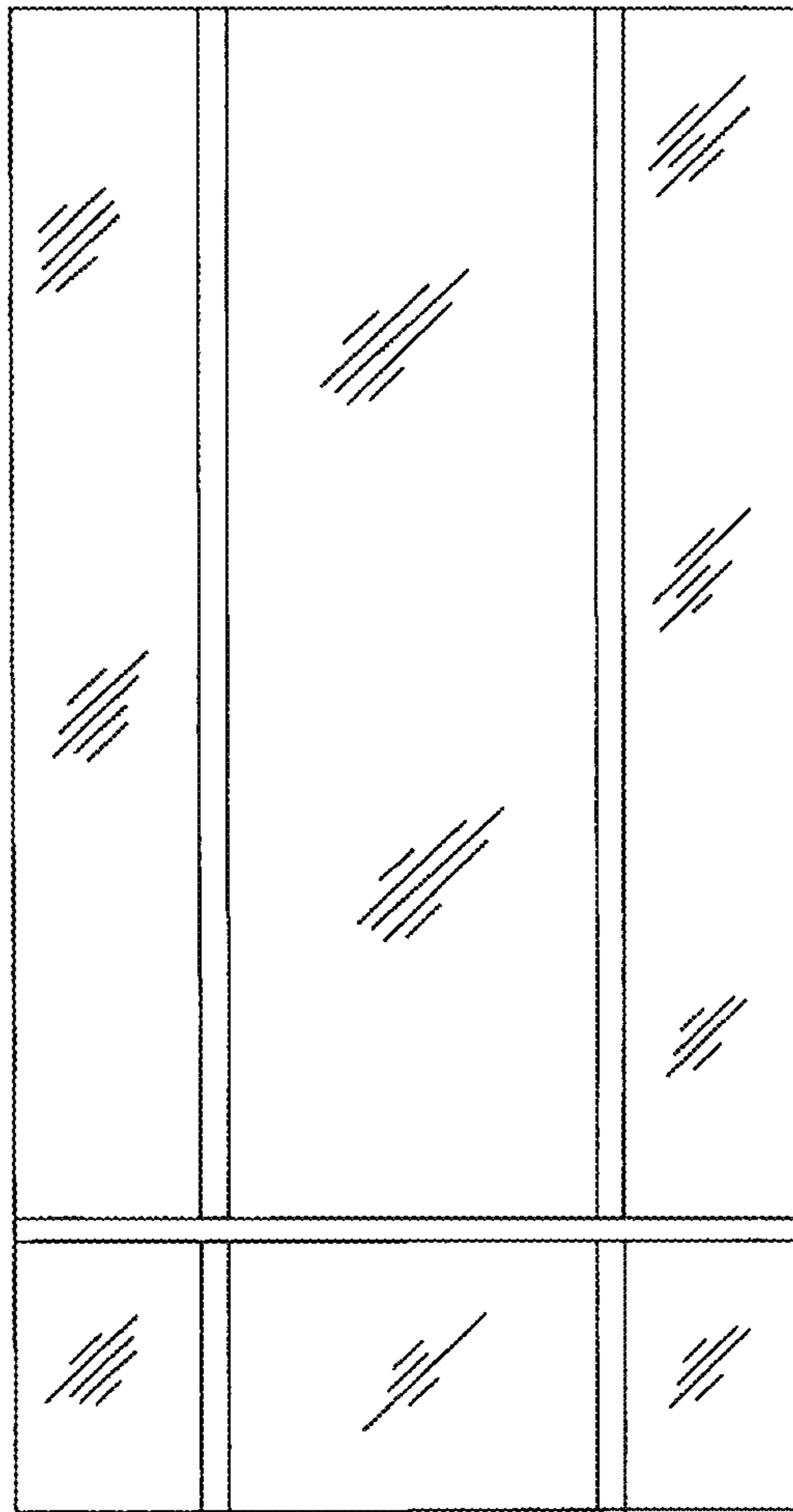


Fig. 10

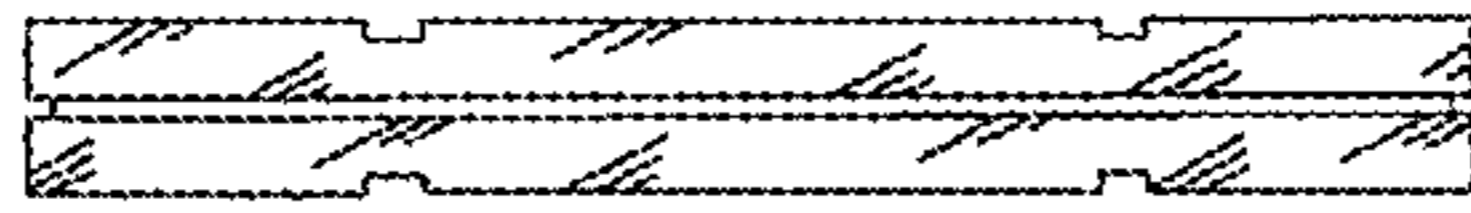


Fig. 11

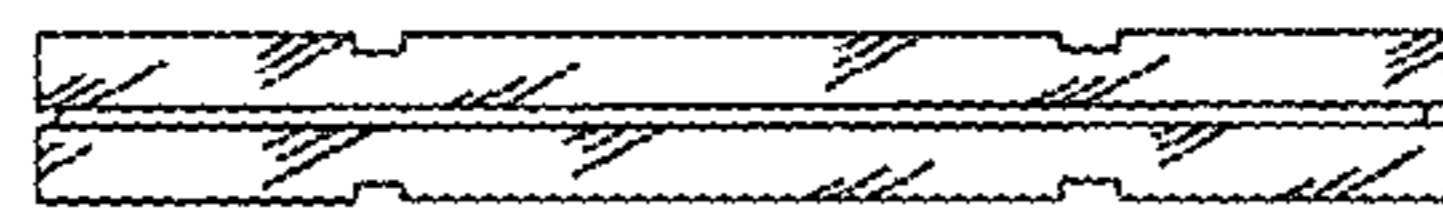


Fig. 12