



US00D803416S

(12) **United States Design Patent**
Leaver et al.

(10) **Patent No.:** **US D803,416 S**
(45) **Date of Patent:** **** Nov. 21, 2017**

(54) **MICROFLUIDIC CARTRIDGE**

- (71) Applicant: **University of British Columbia,**
Vancouver (CA)
- (72) Inventors: **Timothy Leaver,** Delta (CA); **Andre Wild,** Vancouver (CA)
- (73) Assignee: **University of British Columbia,**
Vancouver (CA)
- (**) Term: **15 Years**

(21) Appl. No.: **29/580,388**

(22) Filed: **Oct. 7, 2016**

Related U.S. Application Data

(62) Division of application No. 29/525,306, filed on Apr. 28, 2015, now Pat. No. Des. 771,834.

(51) **LOC (10) Cl.** **24-02**

(52) **U.S. Cl.**
USPC **D24/224**

(58) **Field of Classification Search**
USPC D24/169, 216, 223–227, 230, 232–233;
D10/81; 422/64, 68.1, 72–73, 400–401,
422/404, 408, 412, 417, 422, 500,
422/502–506, 552, 554, 559, 562;
436/165–166, 180, 501, 518; 435/283.1,
435/287.1, 287.2, 288.5, 288.7, 6.11,
435/289.1, 6.12, 29, 34, 4–5, 6.19, 7.1,
435/1.2; 204/403.01, 411, 450–453, 601;
356/246; 506/7, 9, 13, 18, 32, 33, 39;
73/864.91; D6/300–314

(Continued)

(56) **References Cited**

U.S. PATENT DOCUMENTS

- 4,704,255 A * 11/1987 Jolley B01L 3/50255
422/534
- 5,006,474 A * 4/1991 Horstman G01N 33/54366
435/287.2

(Continued)

FOREIGN PATENT DOCUMENTS

- WO 2014/172045 A1 10/2014
- WO 2015/013596 A2 1/2015
- WO 2015/057998 A1 4/2015

OTHER PUBLICATIONS

“Agilent DNA 7500 and DNA 12000 Kit Guide,” Agilent Technologies, Waldbronn, Germany, Manual Part No. G2938-90024 Rev. B, Jul. 2013, 24 pages.

(Continued)

Primary Examiner — Karen Kearney

Assistant Examiner — Mark Cavanna

(74) *Attorney, Agent, or Firm* — Christensen O’Connor Johnson Kindness PLLC

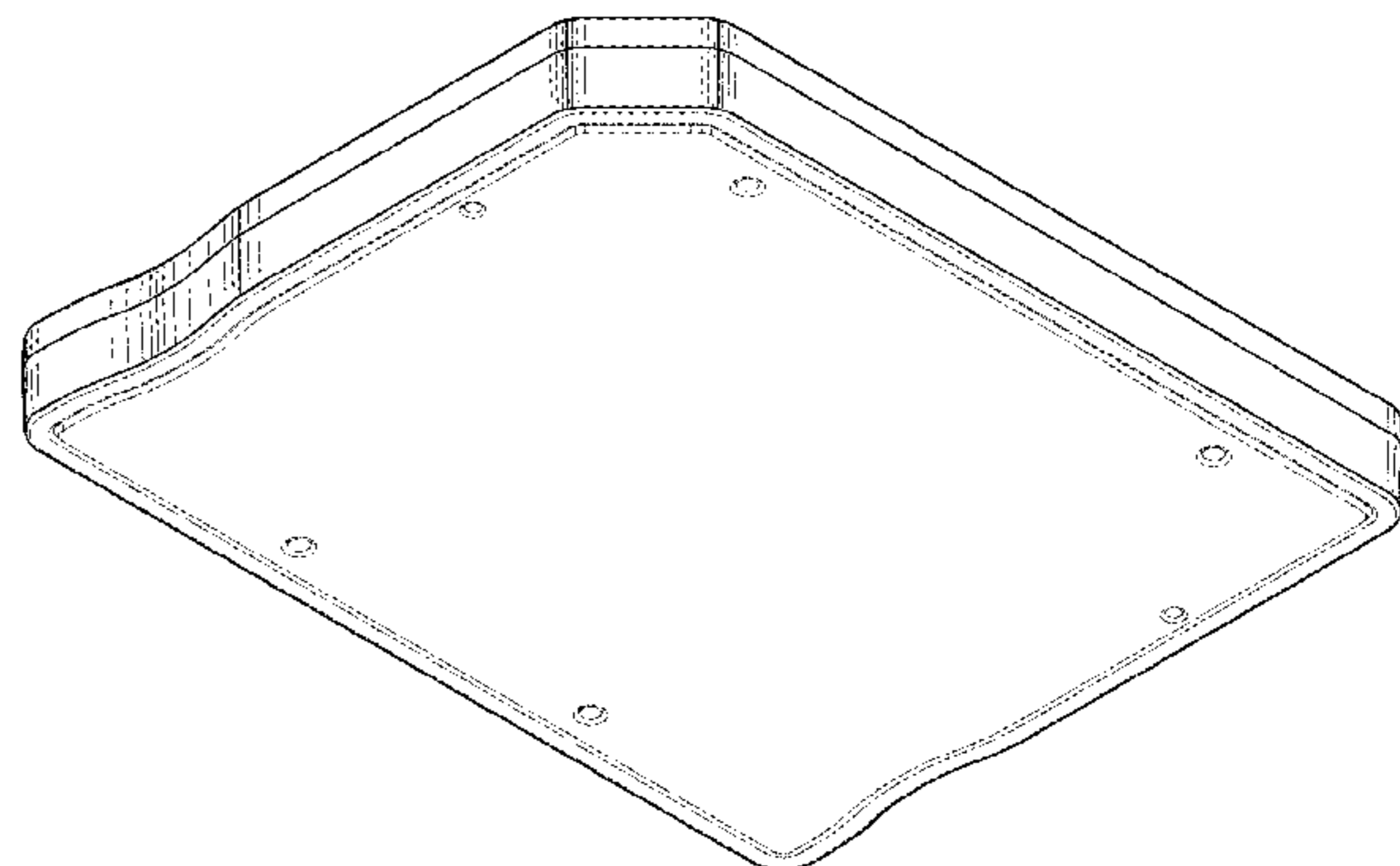
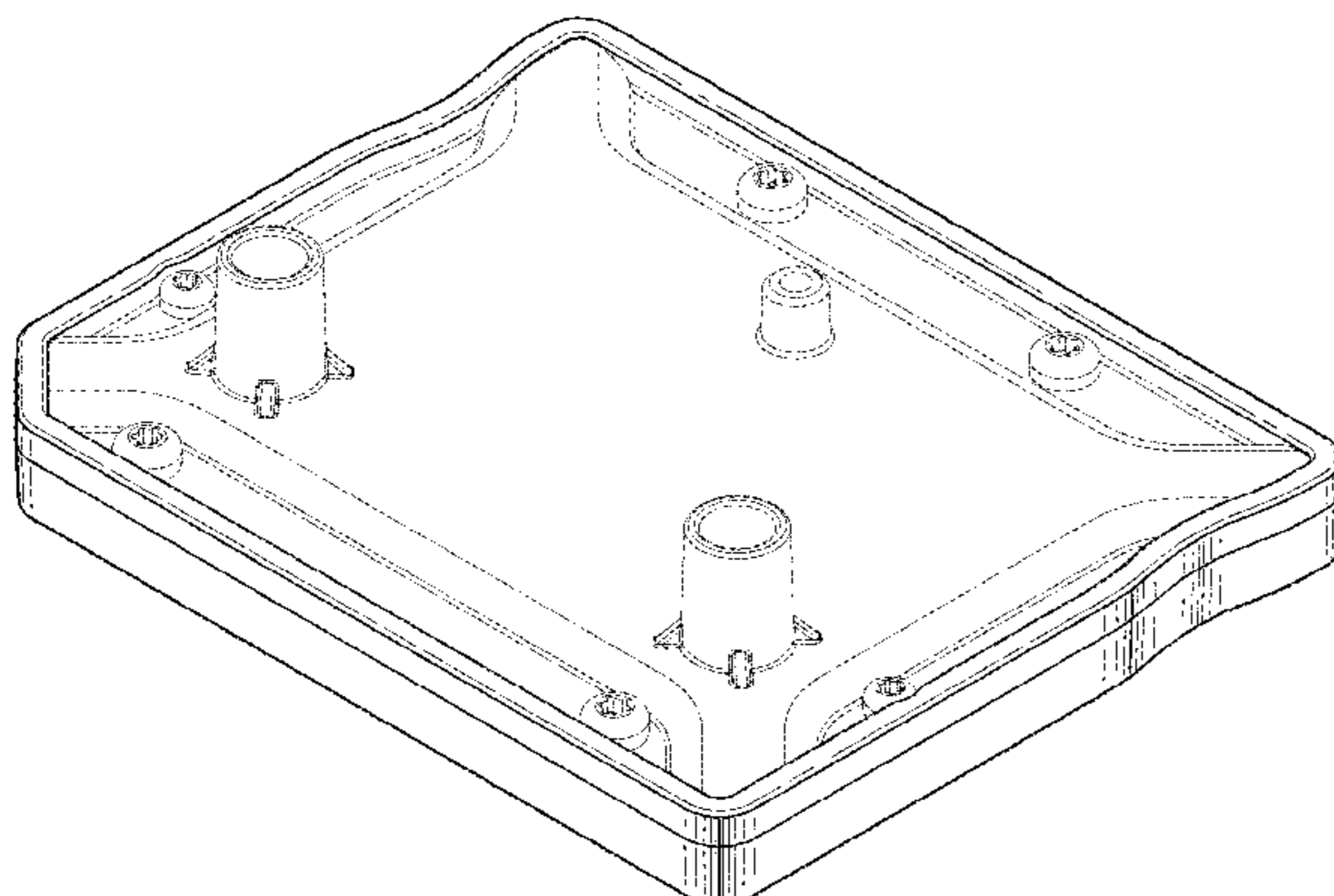
(57) **CLAIM**

The ornamental design for a microfluidic cartridge, as shown and described.

DESCRIPTION

FIG. 1 is a top front right perspective view of a microfluidic cartridge according to another embodiment of our new design;
 FIG. 2 is a bottom front left perspective view thereof;
 FIG. 3 is a top plan view thereof;
 FIG. 4 is a bottom plan view thereof;
 FIG. 5 is a front elevation view thereof;
 FIG. 6 is a rear elevation view thereof;
 FIG. 7 is a left side elevation view thereof; and,
 FIG. 8 is a right side elevation view thereof.
 The broken lines shown in the drawings illustrate portions of the microfluidic cartridge that form no part of the claimed design.

1 Claim, 4 Drawing Sheets



(58) **Field of Classification Search**

CPC . A01N 1/0247; B01J 19/0046; B01J 19/0093;
 B01L 9/52; B01L 9/527; B01L 7/52;
 B01L 7/5255; B29C 66/61; C12M 23/16;
 C12Q 1/40; C12Q 1/686; C12Q 1/6837;
 G01N 15/1484; G01N 21/03; G01N
 21/6428; G01N 21/8483; G01N
 21/00029; G01N 21/07; G01N 21/6452;
 G01N 21/78; G01N 21/253; G01N
 33/558; G01N 33/54366; G01N 33/53;
 G01N 33/5438; G01N 33/54386; G01N
 27/4145; B01D 19/0031

See application file for complete search history.

(56) **References Cited**

U.S. PATENT DOCUMENTS

D351,913 S * 10/1994 Hieb D24/169
 D435,300 S * 12/2000 Bhullar D10/81
 6,303,389 B1 * 10/2001 Levin B01L 3/50255
 435/7.1
 D461,906 S 8/2002 Pham
 6,432,358 B2 * 8/2002 Norris B01L 3/505
 422/408
 D470,595 S * 2/2003 Crisanti D24/216
 6,642,046 B1 * 11/2003 McGarry B01J 19/0093
 435/288.7
 D491,273 S 6/2004 Biegler et al.
 D495,805 S 9/2004 Lea et al.
 6,824,975 B2 * 11/2004 Hubscher G01N 33/558
 422/417
 D500,601 S * 1/2005 Shehu D6/300
 D511,386 S * 11/2005 Emerson D24/233
 D514,821 S * 2/2006 Mohundro D6/300
 7,022,157 B2 * 4/2006 Tsai B01D 19/0031
 95/46
 D524,449 S * 7/2006 Emerson D24/233
 D525,037 S * 7/2006 Schmitt D6/300
 D531,321 S 10/2006 Godfrey et al.
 D559,995 S 1/2008 Handique et al.
 D565,742 S 4/2008 Parunak et al.
 D566,291 S 4/2008 Parunak et al.
 7,550,289 B2 * 6/2009 Cheng B01L 7/52
 435/287.2
 7,704,735 B2 4/2010 Facer et al.
 7,727,371 B2 6/2010 Kennedy et al.
 D621,060 S 8/2010 Handique
 7,833,396 B2 * 11/2010 Fukushima G01N 27/4145
 422/82.01
 D632,094 S * 2/2011 Shaha D6/310
 D633,209 S * 2/2011 Boessneck D24/169
 D637,310 S * 5/2011 Barbieux D24/216
 D639,077 S * 6/2011 DeBretton Gordon D6/310
 8,197,772 B2 * 6/2012 Sim B01L 3/508
 422/502
 D663,434 S 7/2012 Cao et al.
 D668,350 S 10/2012 Rowley
 D668,779 S 10/2012 Khan et al.
 D669,191 S 10/2012 Handique
 D669,594 S 10/2012 Cao et al.
 8,318,439 B2 * 11/2012 Battrell G01N 33/53
 435/287.1
 D676,145 S 2/2013 Kouge et al.
 D679,024 S 3/2013 Kouge et al.
 D681,843 S * 5/2013 Nemeth B01L 3/502
 D24/224
 D686,311 S 7/2013 Mori
 D692,578 S 10/2013 Kikuhara et al.
 D700,711 S 3/2014 Kikuhara et al.
 D702,364 S 4/2014 Iqbal et al.
 8,852,862 B2 * 10/2014 Wu B01L 3/502707
 422/502
 9,034,634 B2 * 5/2015 Miller B01L 3/5027
 435/283.1

D731,671 S 6/2015 Gruner
 D732,186 S 6/2015 Burroughs et al.
 D733,313 S 6/2015 Kouge et al.
 D734,482 S * 7/2015 Peterman D24/216
 D735,877 S * 8/2015 Chang D24/216
 D738,526 S 9/2015 Huang et al.
 D739,553 S * 9/2015 Yang D24/232
 9,132,423 B2 * 9/2015 Battrell
 D767,782 S * 9/2016 Cao D24/216
 9,475,052 B2 * 10/2016 Tachibana B01L 3/502715
 D771,833 S * 11/2016 Leaver D24/224
 D772,427 S * 11/2016 Leaver D24/224
 9,494,501 B2 * 11/2016 Durack B01L 3/502753
 9,555,411 B2 * 1/2017 Kiani B01L 3/502738
 2002/0114739 A1 * 8/2002 Weigl B01L 3/5027
 422/400
 2002/0127740 A1 * 9/2002 Ho C12Q 1/6837
 436/518
 2003/0180815 A1 * 9/2003 Rawson G01N 33/558
 435/287.2
 2004/0141887 A1 7/2004 Mainquist et al.
 2005/0023672 A1 * 2/2005 Oostman B01L 3/508
 257/701
 2005/0135974 A1 * 6/2005 Harvey B01L 3/50855
 422/400
 2006/0165558 A1 7/2006 Witty et al.
 2006/0246493 A1 * 11/2006 Jensen B01L 7/5255
 435/6.19
 2007/0072287 A1 * 3/2007 Morisette B01L 3/502715
 435/287.2
 2008/0182301 A1 7/2008 Handique et al.
 2008/0280785 A1 * 11/2008 Tseng B01L 3/0255
 506/40
 2009/0155877 A1 * 6/2009 Iliescu B01L 3/502707
 435/173.7
 2009/0170189 A1 * 7/2009 Park C12M 23/16
 435/288.7
 2009/0253582 A1 * 10/2009 Pena B01L 3/5085
 506/7
 2009/0311796 A1 * 12/2009 Griss B01L 3/50273
 436/166
 2011/0053806 A1 * 3/2011 Amin B01L 3/502707
 506/33
 2011/0268630 A1 11/2011 Williams et al.
 2011/0300022 A1 * 12/2011 Yang B01J 19/0093
 422/68.1
 2013/0052748 A1 * 2/2013 Campbell G01N 33/558
 436/501
 2013/0130262 A1 * 5/2013 Battrell B01L 3/50273
 435/6.12
 2013/0224768 A1 * 8/2013 Arai G01N 21/8483
 435/7.72
 2013/0280698 A1 * 10/2013 Propper G01N 33/5302
 435/5
 2014/0194305 A1 * 7/2014 Kayyem B01L 3/502715
 506/9
 2015/0087079 A1 * 3/2015 Coffey G01N 33/54366
 436/501
 2015/0190806 A1 * 7/2015 Yuen B01L 3/5023
 137/1
 2016/0369323 A1 * 12/2016 Revilla B01L 3/5027
 2017/0014820 A1 * 1/2017 Lee B01L 3/502715
 2017/0030859 A1 * 2/2017 Huber B01L 3/502715

OTHER PUBLICATIONS

“NanoAssemblr™,” Precision Nanosystems, brochure distributed at the 16th Annual Oligonucleotide and Peptide Therapeutics: From Research Through Commercialization (TIDES), Providence, R.I., May 12-15, 2014, 4 pages.
 “NanoAssemblr: Revolutionizing Medicine,” Precision Nanosystems, brochure distributed at the Sixth International Liposome Society Meeting, London, Dec. 14-17, 2013, 4 pages.

* cited by examiner

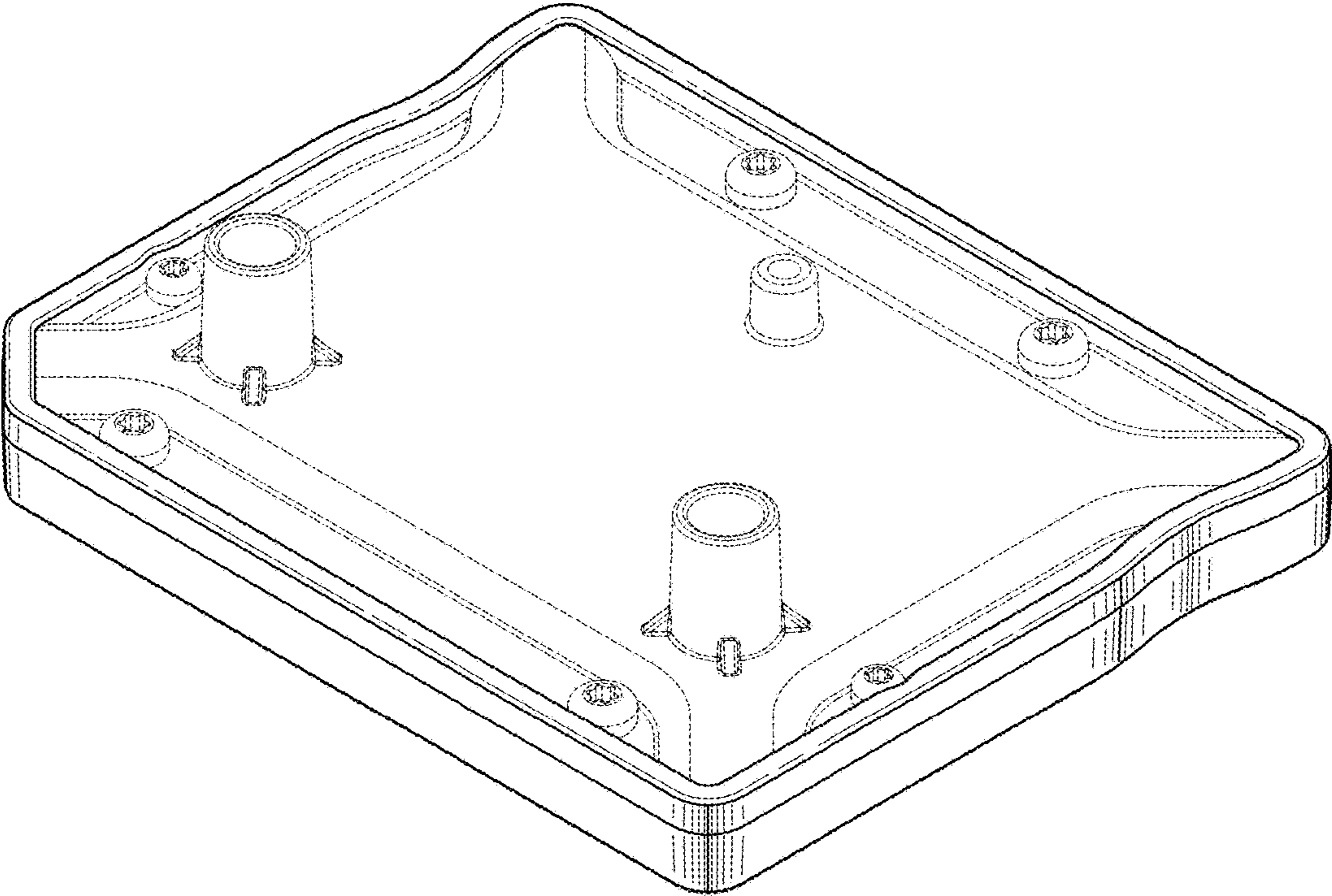


Fig. 1.

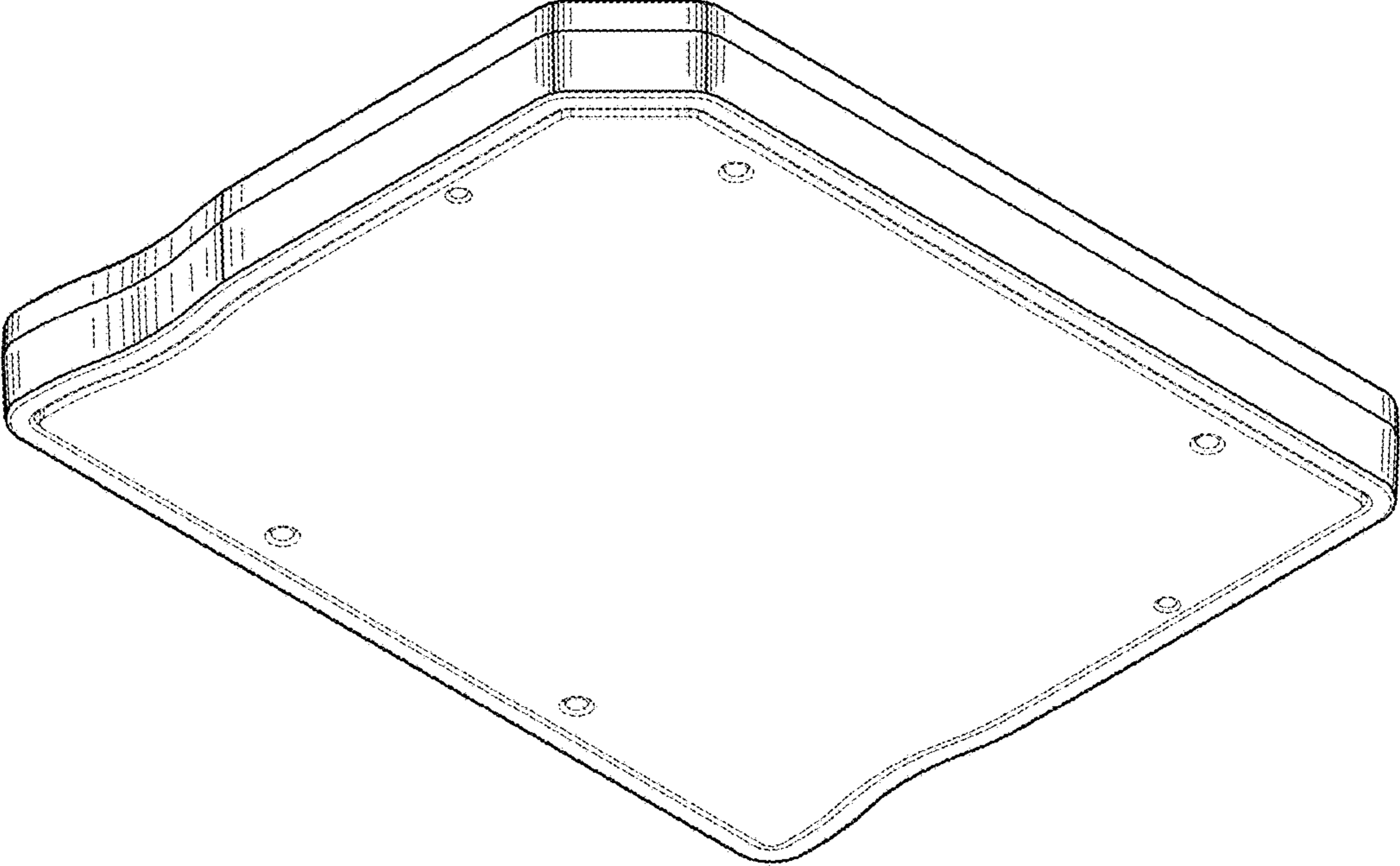


Fig. 2.

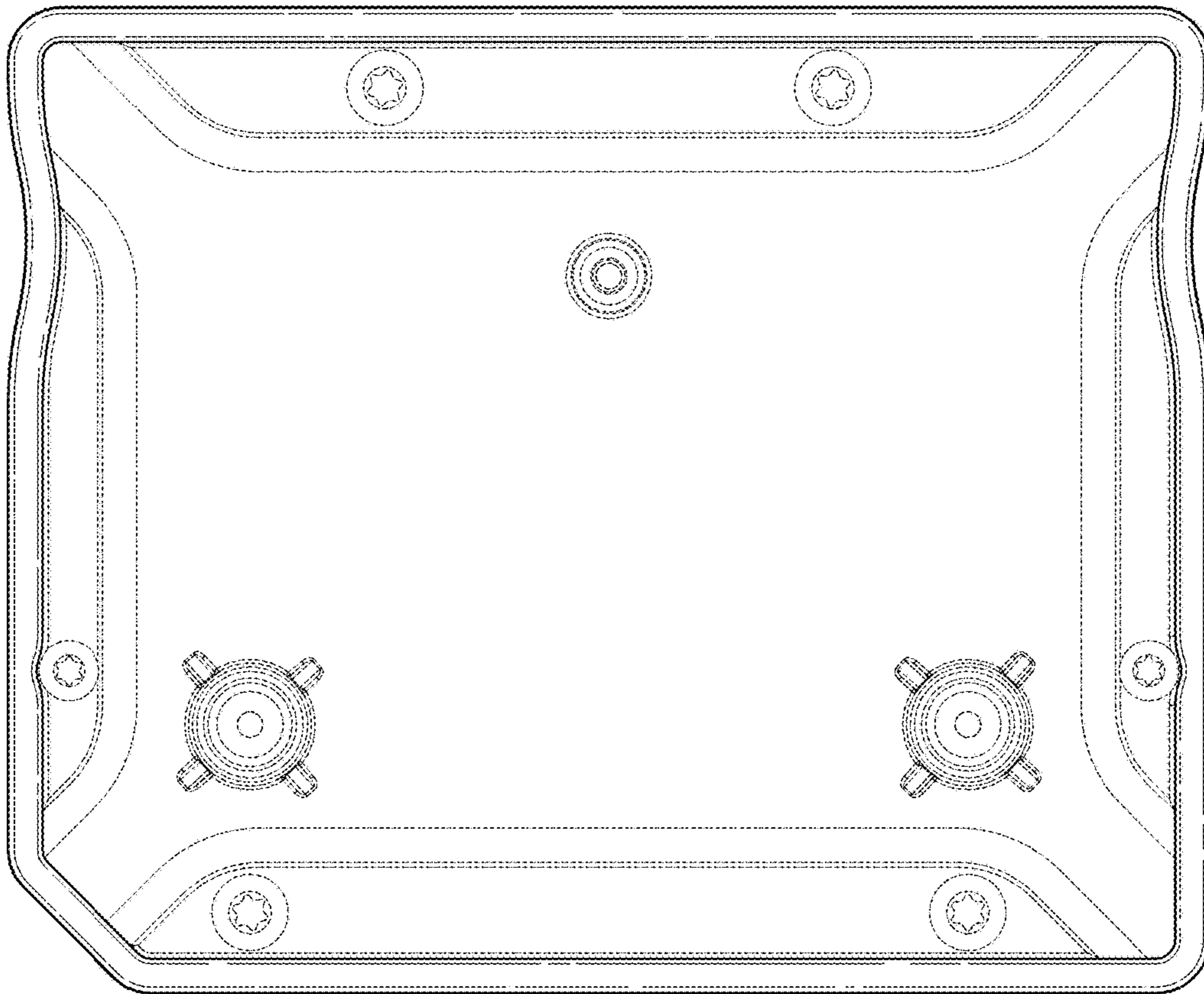


Fig. 3.

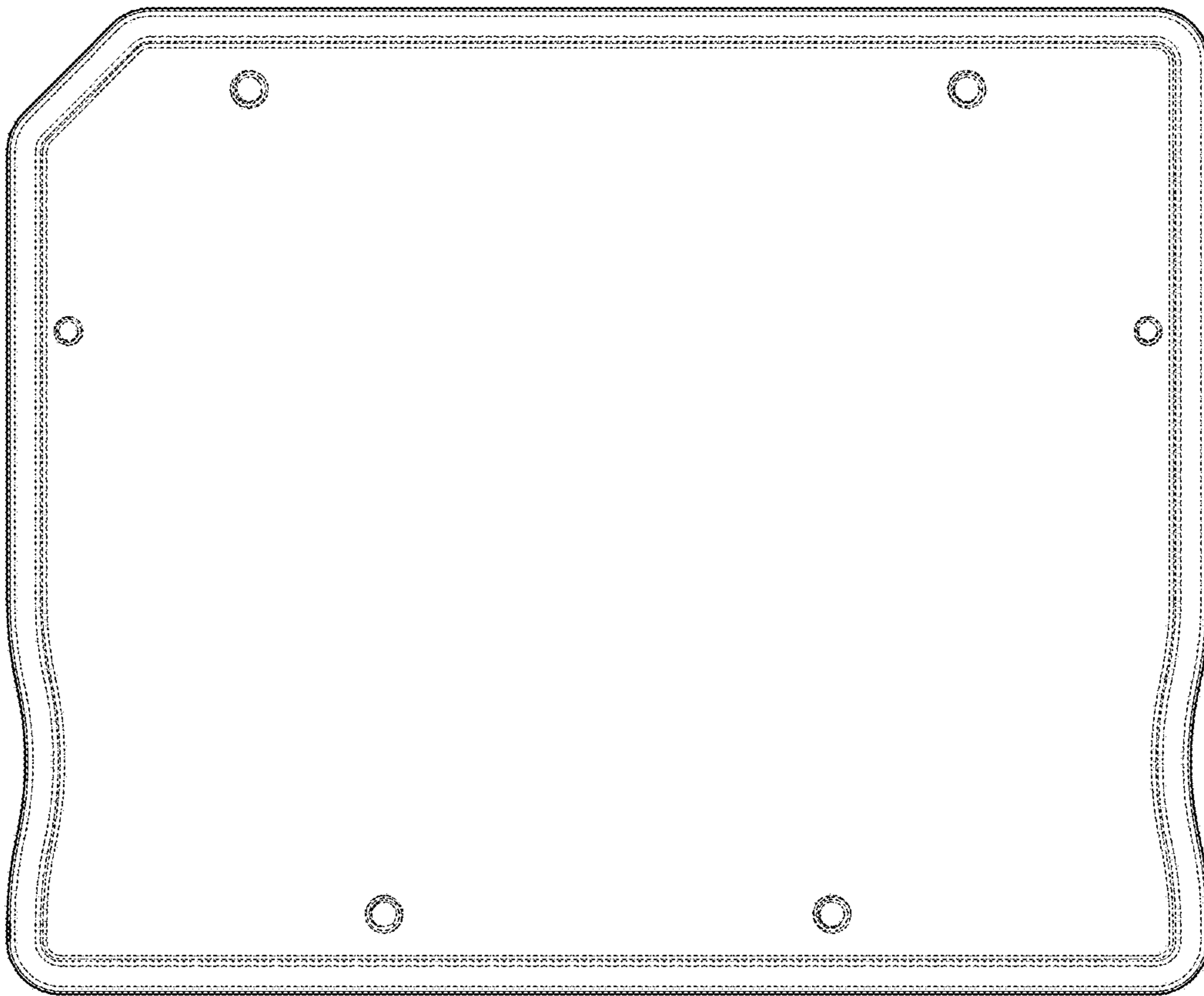


Fig. 4.

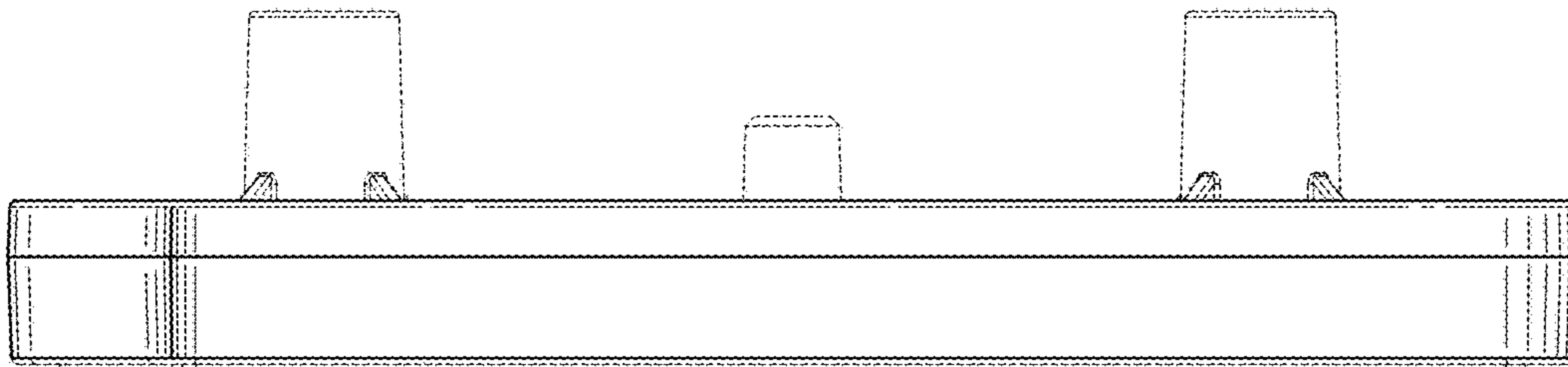


Fig. 5.

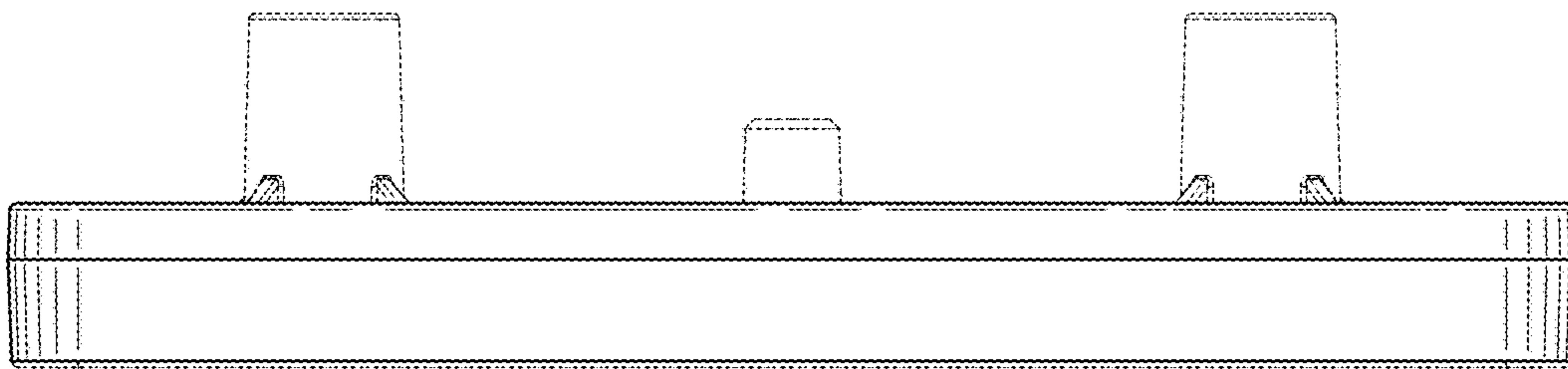


Fig. 6.

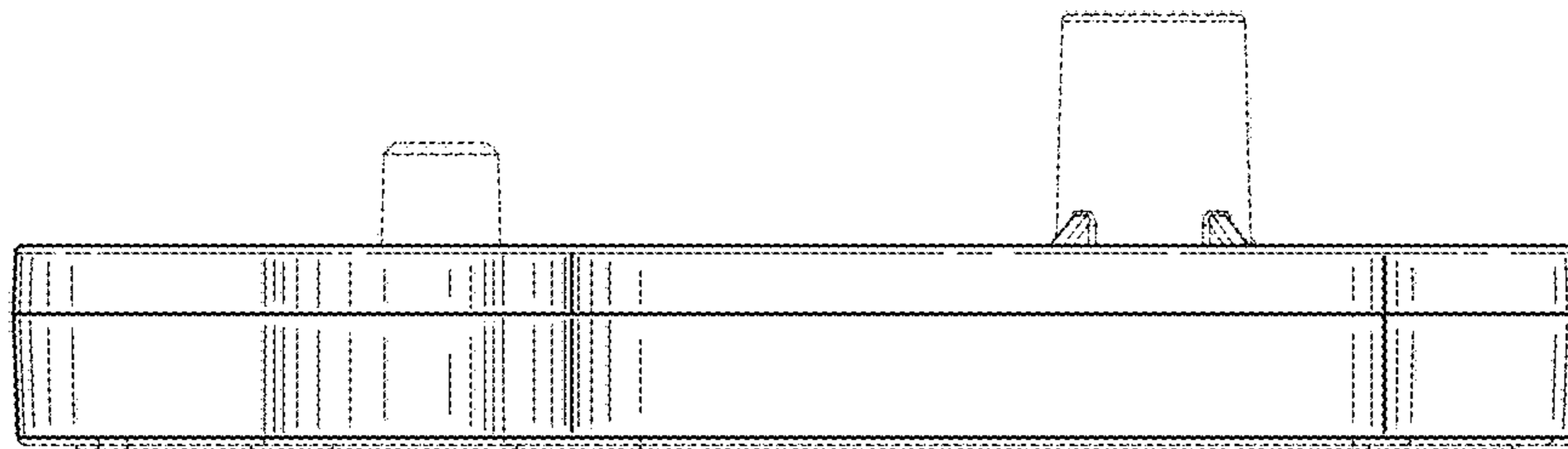


Fig. 7.

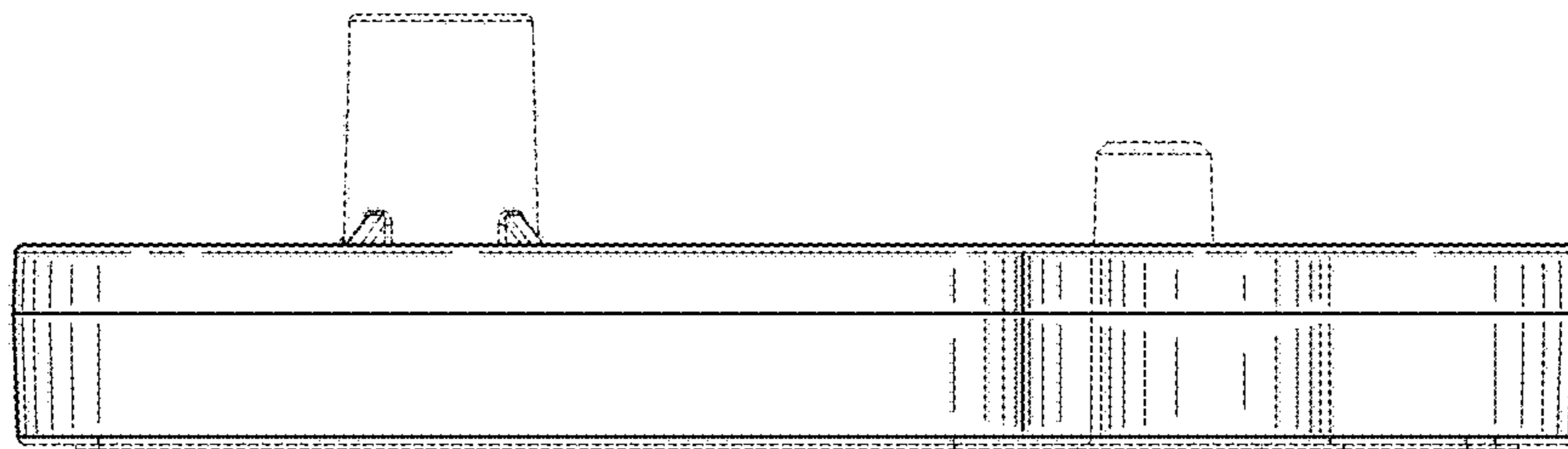


Fig. 8.