



US00D803415S

(12) **United States Design Patent**
Tate

(10) **Patent No.:** **US D803,415 S**

(45) **Date of Patent:** **** Nov. 21, 2017**

(54) **CRYOSTAT CHUCK WITH IDENTIFICATION PLATFORM**

(71) Applicant: **Mary Tate**, Sunrise, FL (US)

(72) Inventor: **Mary Tate**, Sunrise, FL (US)

(**) Term: **15 Years**

(21) Appl. No.: **29/571,308**

(22) Filed: **Jul. 17, 2016**

(51) **LOC (10) Cl.** **24-02**

(52) **U.S. Cl.**

USPC **D24/224**

(58) **Field of Classification Search**

USPC D24/216, 222, 224, 225, 231, 127, 128;
83/15, 170, 915.5; 62/51.1, 62, 66, 320,
62/341; 156/57, 80, 241, 285, 289, 298,
156/382, 390, 498, 556, 750, 758, 934;
165/80.1, 185; 269/7, 14, 21, 216, 233,
269/254 MW, 257, 269, 900, 909;
422/521, 536, 560-564; 435/1.1, 40.5,
435/40.52, 173.1; 436/174; 451/288
CPC . A01N 1/00; A01N 1/02; A01N 1/257; A01N
1/263; A61B 10/0233; B24B 27/0023;
B24B 27/04; B24B 37/04; B25B 1/103;
B25B 1/241; B25B 5/16; B01L 3/508;
G01N 1/06; G01N 1/286; G01N 1/312;
G01N 1/36; G01N 1/42; G01N 1/44

See application file for complete search history.

(56) **References Cited**

U.S. PATENT DOCUMENTS

3,209,821 A * 10/1965 Zeytoonian G01N 1/06
165/185
3,552,733 A * 1/1971 Pickett G01N 1/06
269/216
4,343,112 A * 8/1982 Jarrett B24B 37/04
451/288

4,752,347 A * 6/1988 Rada G01N 1/36
156/390
5,188,347 A * 2/1993 Hunnell B25B 5/16
269/909
5,776,298 A * 7/1998 Franks G01N 1/36
156/390
5,983,991 A * 11/1999 Franks G01N 1/06
165/80.1
6,536,219 B2 * 3/2003 Peters G01N 1/42
436/174
6,558,629 B1 * 5/2003 Davidson B01L 3/508
422/536
6,875,583 B2 * 4/2005 Giberson G01N 1/44
435/40.5
7,059,139 B1 * 6/2006 Marsing G01N 1/36
62/62

(Continued)

Primary Examiner — Ian Simmons

Assistant Examiner — Mark Cavanna

(74) *Attorney, Agent, or Firm* — Nancy J. Flint, Esq.;

Nancy J. Flint, Attorney At Law, P.A.

(57) **CLAIM**

The ornamental design for a cryostat chuck with identification platform, as shown and described.

DESCRIPTION

FIG. 1 is a top perspective view of a first embodiment of a cryostat chuck with identification platform showing my new design;

FIG. 2 is a bottom perspective view thereof;

FIG. 3 is a top plan view thereof;

FIG. 4 is a bottom plan view thereof;

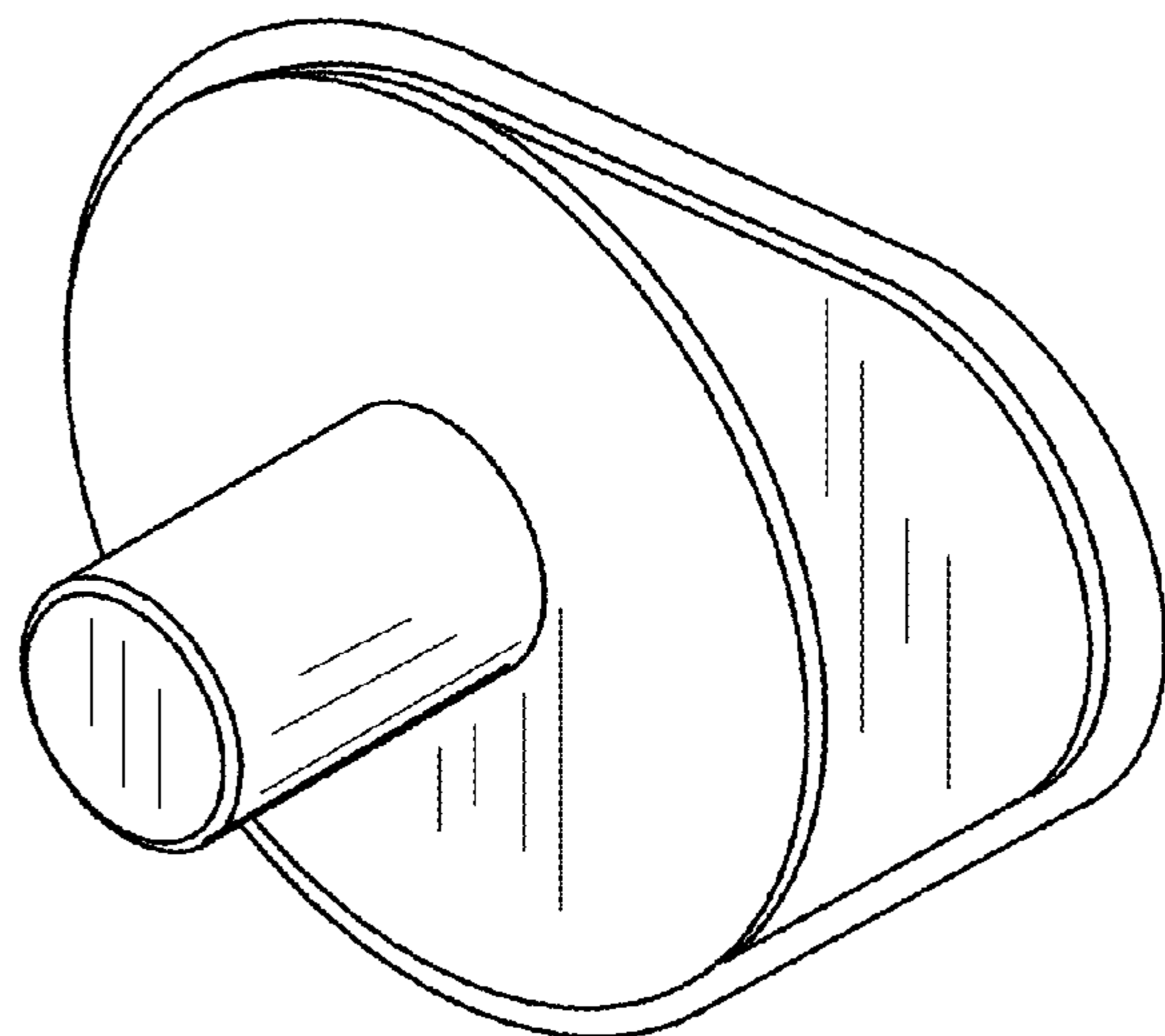
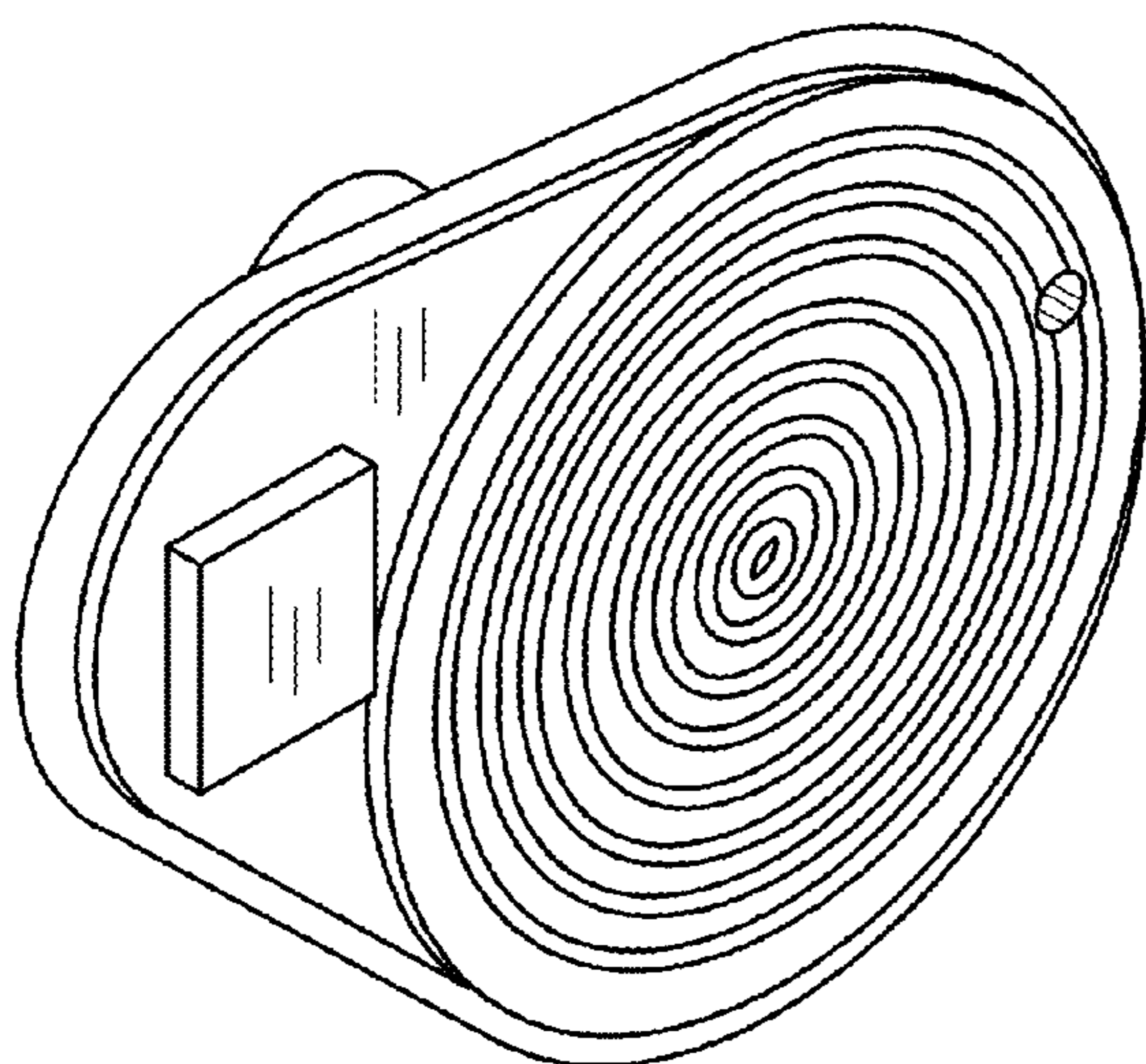
FIG. 5 is a left side elevation view thereof;

FIG. 6 is a front elevation view thereof; and,

FIG. 7 is a rear elevation view thereof.

Right side views not shown are mirror images of left side views.

1 Claim, 3 Drawing Sheets



(56)

References Cited

U.S. PATENT DOCUMENTS

7,234,308 B1 * 6/2007 Critz A01N 1/02
62/51.1
7,257,953 B2 * 8/2007 Rada A01N 1/02
62/51.1
8,151,593 B2 * 4/2012 Henderson A01N 1/00
436/174
8,641,989 B2 * 2/2014 Marsing G01N 1/312
422/521
2004/0152204 A1 * 8/2004 Gauthier G01N 1/286
436/174
2008/0041069 A1 * 2/2008 Vicar G01N 1/42
62/320
2016/0084741 A1 * 3/2016 Bambot G01N 1/06
83/15
2016/0299039 A1 * 10/2016 Hemmings A61B 10/0233

* cited by examiner

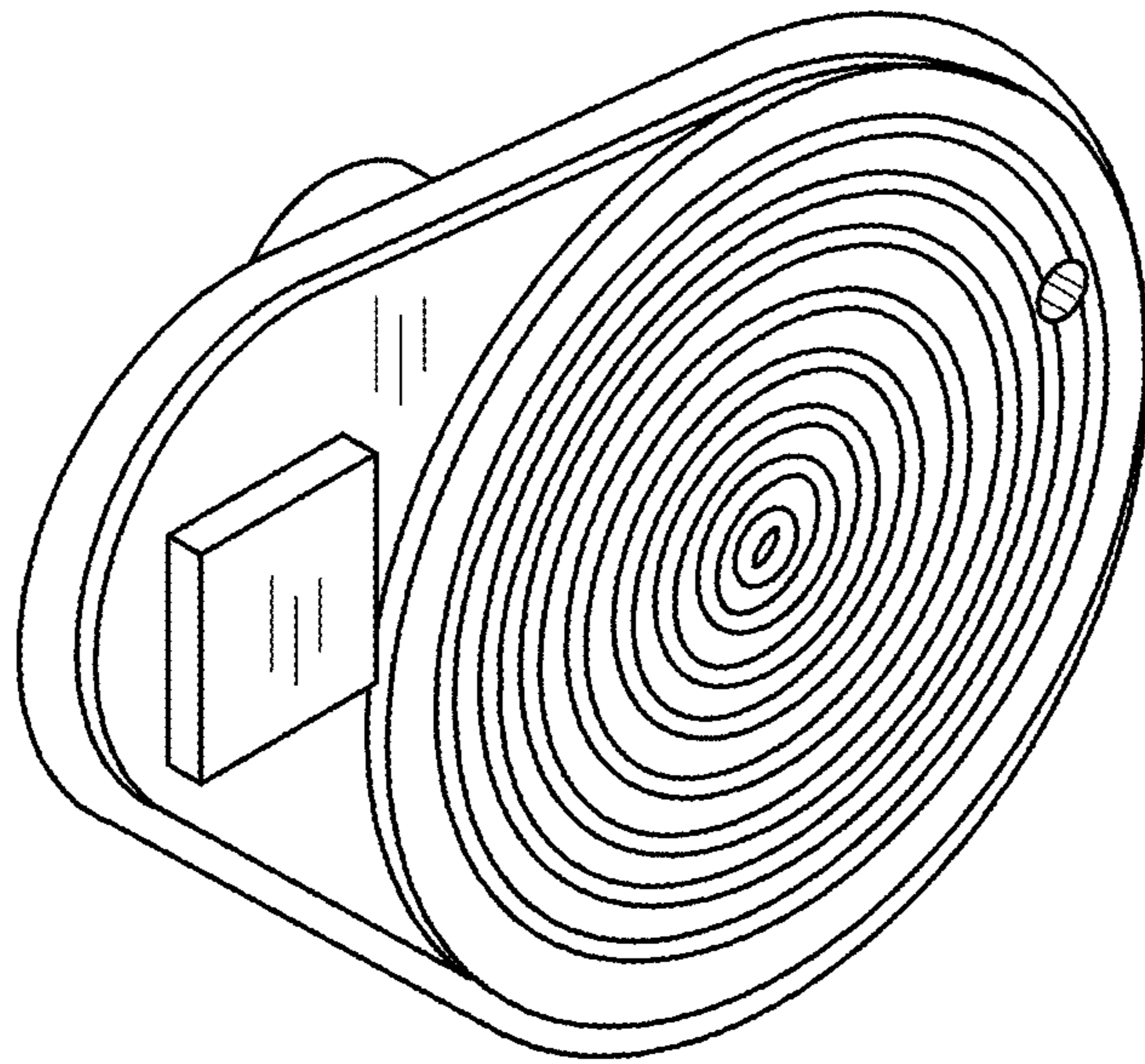


Fig. 1

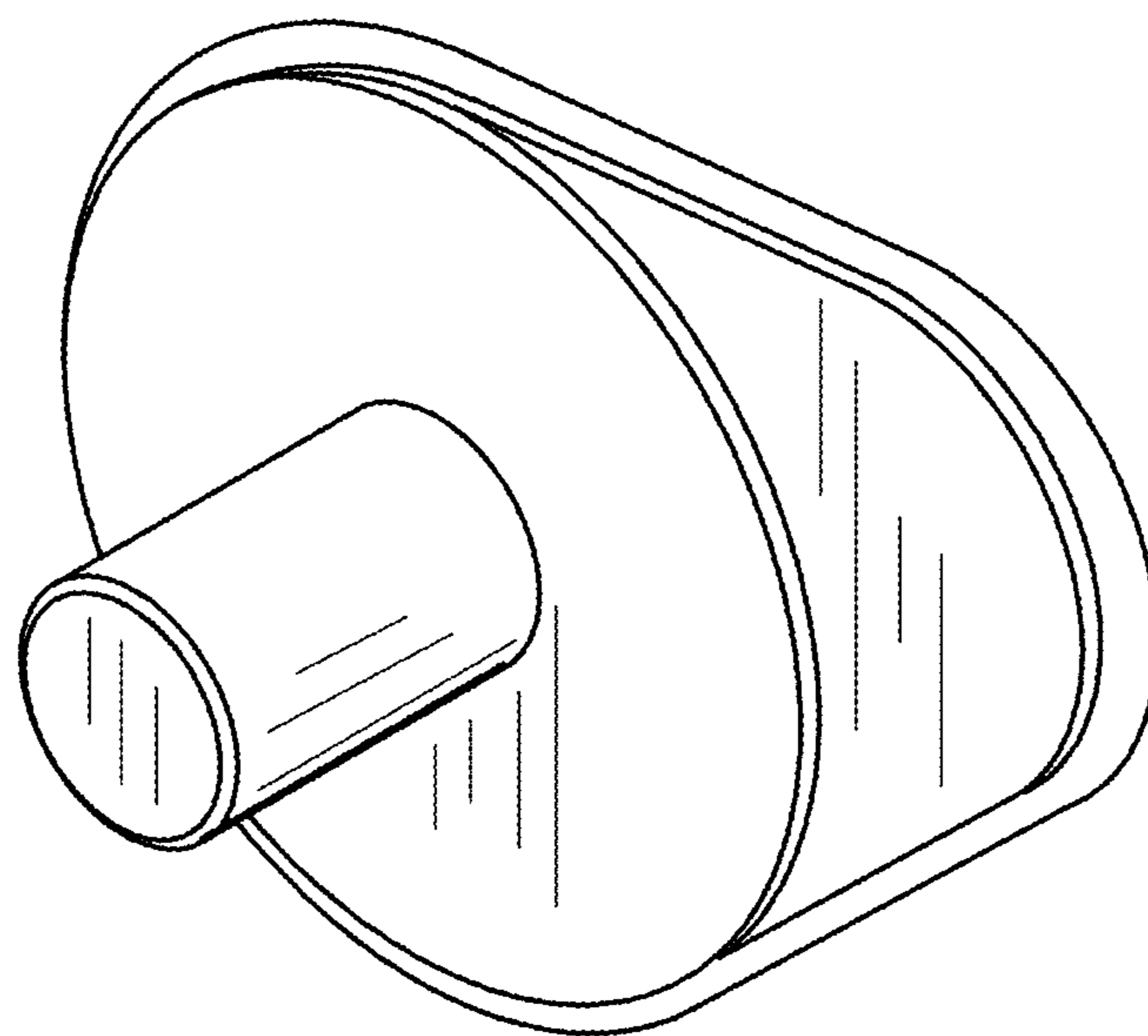


Fig. 2

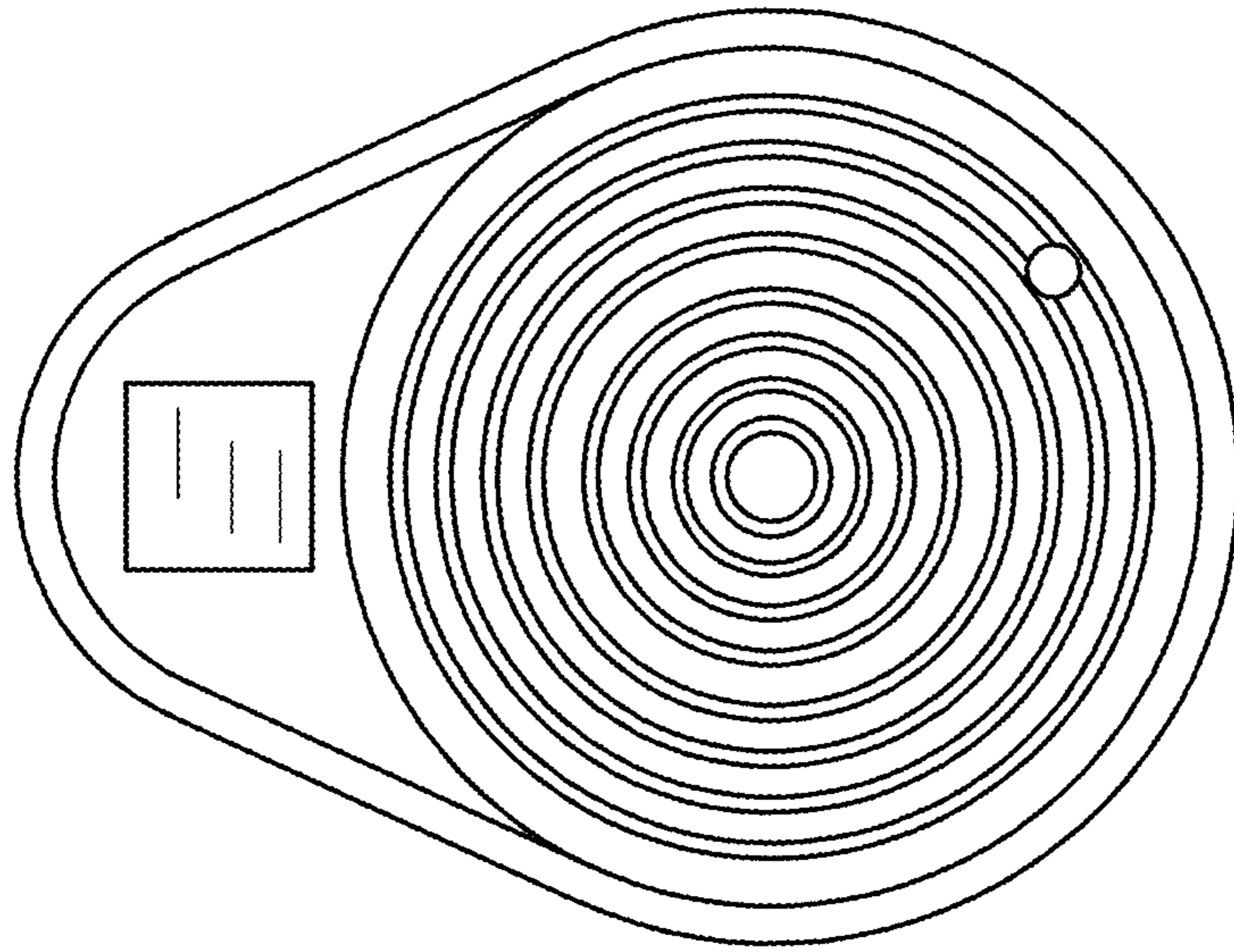


Fig. 3

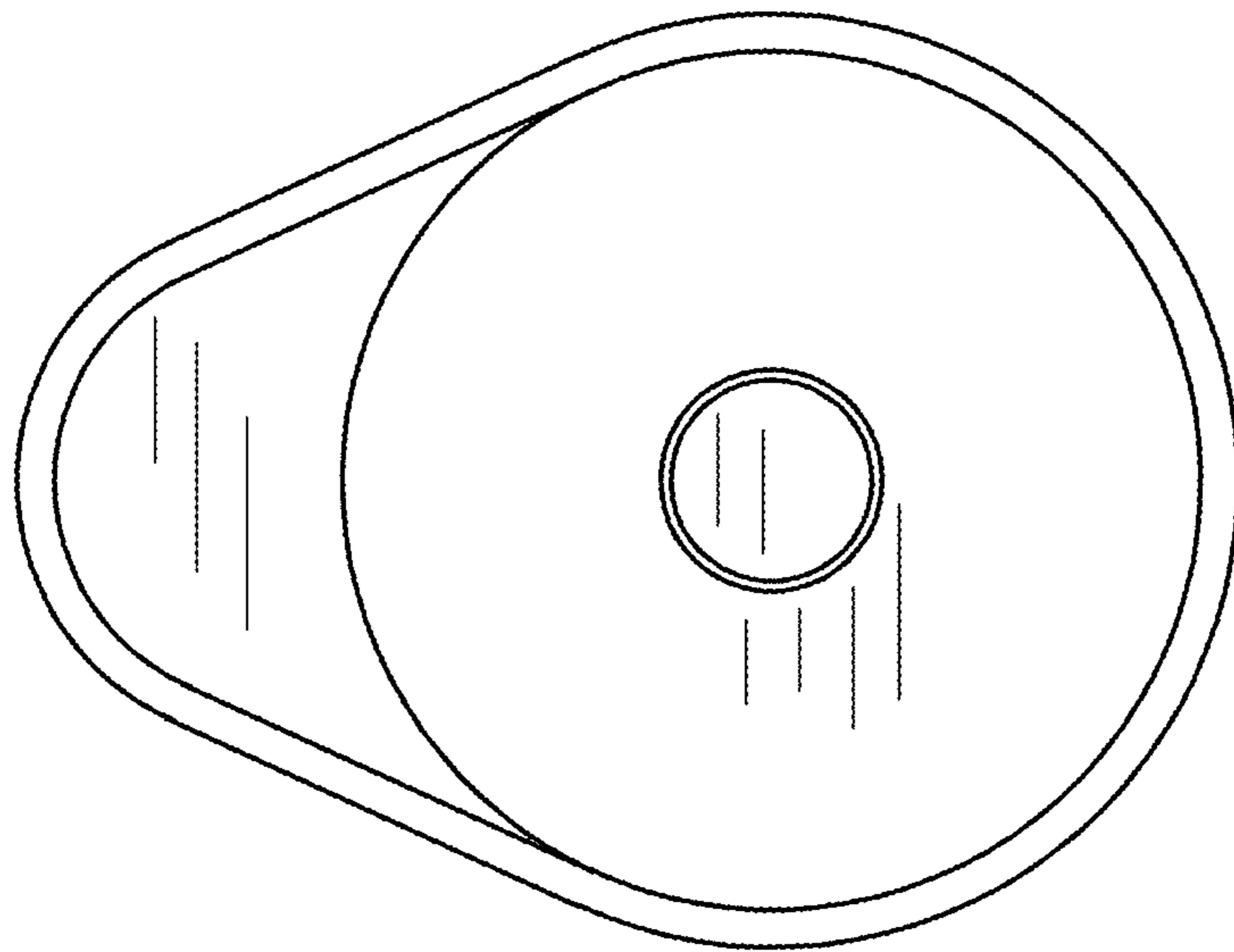


Fig. 4

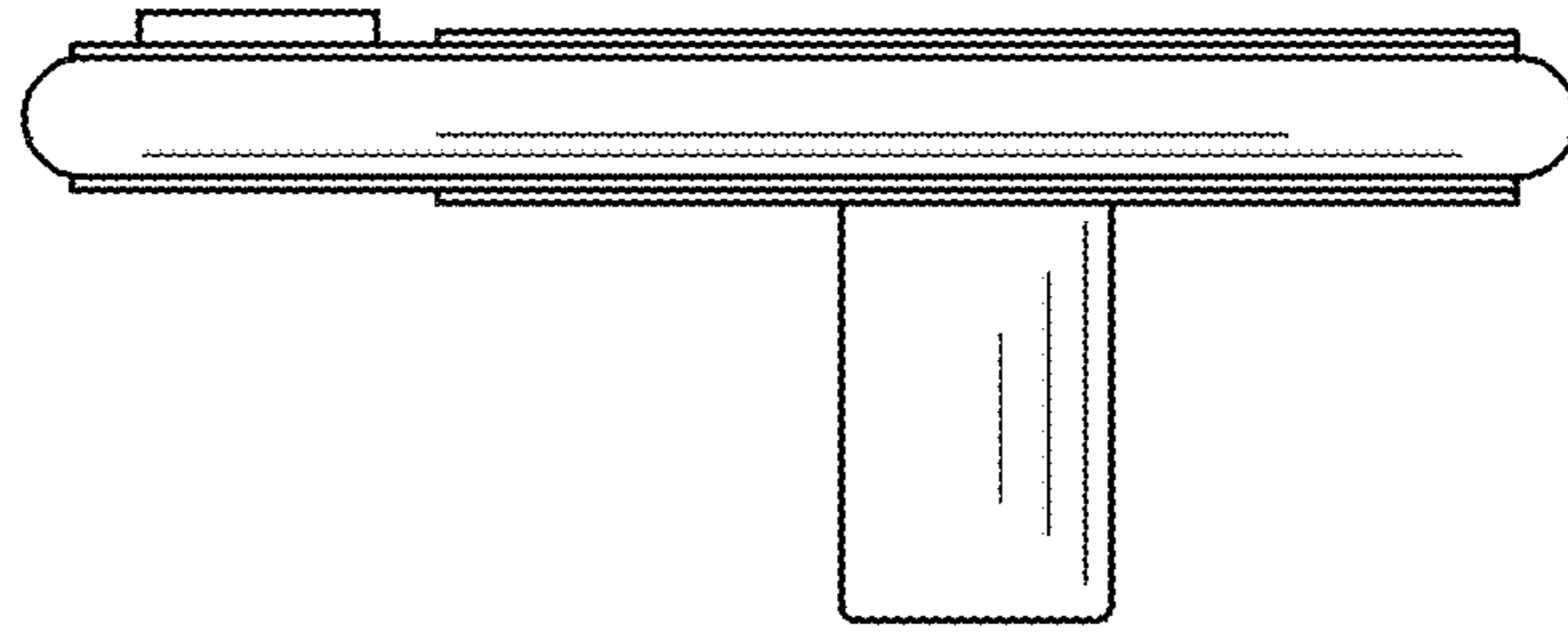


Fig. 5

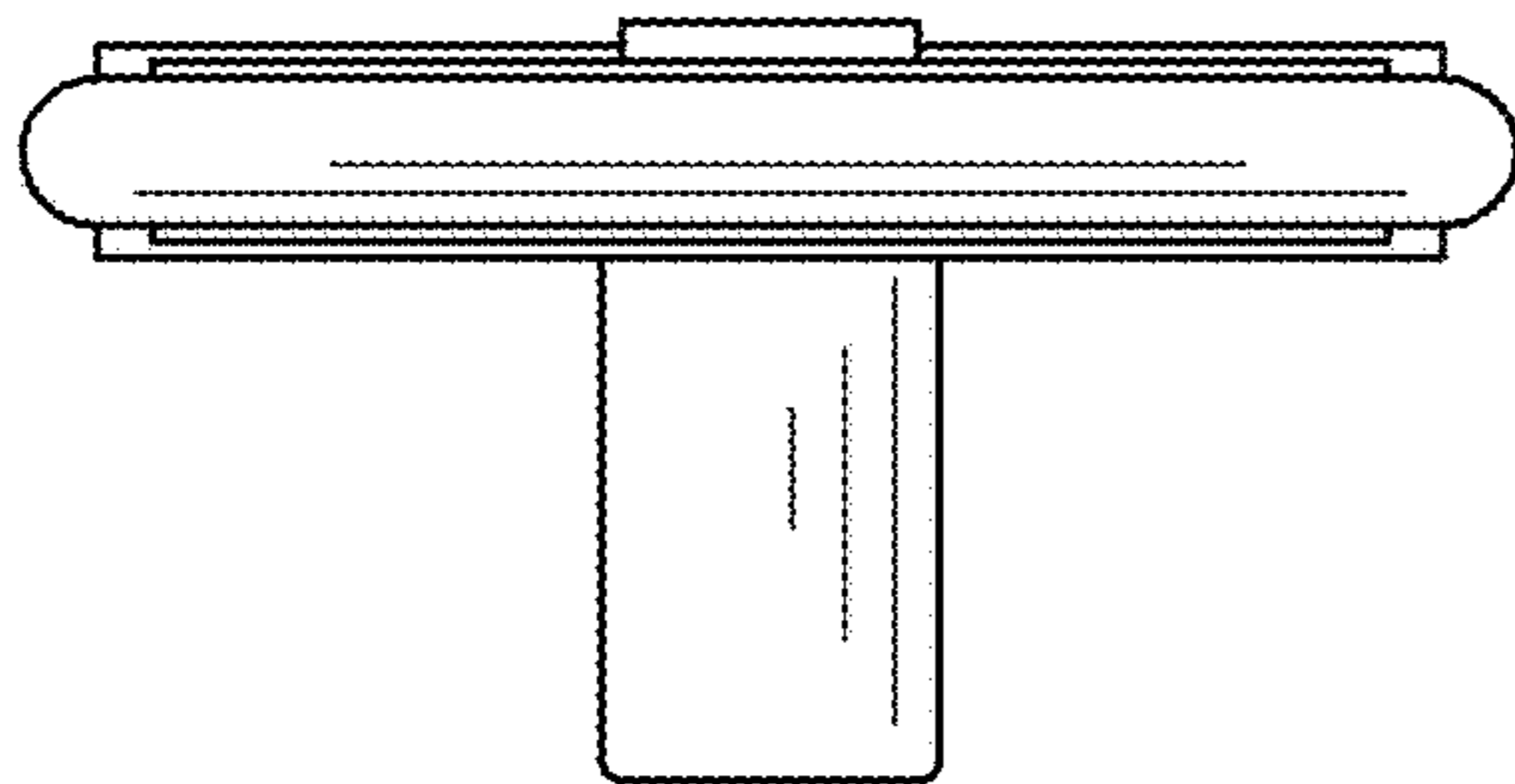


Fig. 6

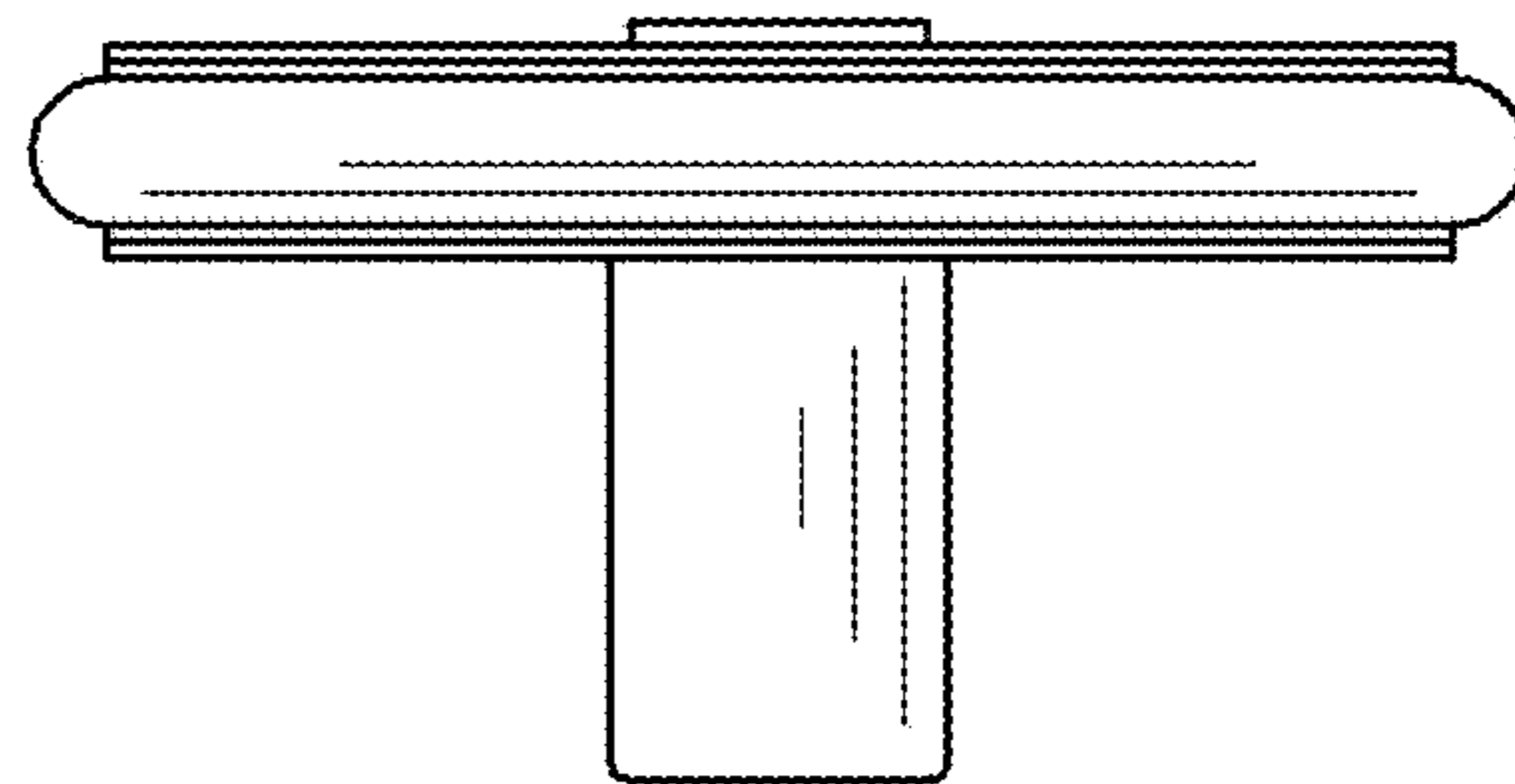


Fig. 7