



US00D803412S

(12) **United States Design Patent** (10) **Patent No.:** **US D803,412 S**
Ton (45) **Date of Patent:** **** Nov. 21, 2017**

(54) **PEDICURE SPA**
(71) Applicant: **Dat Ton**, Baton Rouge, LA (US)
(72) Inventor: **Dat Ton**, Baton Rouge, LA (US)
(**) Term: **14 Years**
(21) Appl. No.: **29/475,543**
(22) Filed: **Dec. 4, 2013**
(51) **LOC (10) Cl.** **24-04**
(52) **U.S. Cl.**
USPC **D24/204**
(58) **Field of Classification Search**
USPC D24/200–205, 212, 213; D28/56, 61;
D6/336, 495; 601/6, 15, 64, 157–158,
601/30–32; 4/622, 574.1
CPC A61H 33/02; A61H 33/60; A61H 33/6063;
A61H 33/021; A61H 33/022; A61H
33/0091; A47K 3/02; A47K 3/06; E04H
2004/0068
See application file for complete search history.

D588,707 S * 3/2009 Mai et al. D24/213
D600,926 S * 9/2009 Le D6/336
D608,898 S * 1/2010 Ton D24/204
D640,387 S * 6/2011 Tran D24/204
D641,485 S * 7/2011 Mai D24/204
D664,664 S * 7/2012 Mai D24/204
D685,103 S * 6/2013 Ton D24/204

* cited by examiner

Primary Examiner — David G Muller
(74) *Attorney, Agent, or Firm* — Next ip Law Group
LLC; Minh N. Nguyen

(57) **CLAIM**

The ornamental design for a pedicure spa, as shown and described.

DESCRIPTION

FIG. 1 is a perspective view showing the front, right side and top views of my new pedicure spa showing my new design; FIG. 2 is a perspective view showing the rear, left side and top views thereof; FIG. 3 is a right side elevation view thereof; the left side elevation view being a mirror image; FIG. 4 is a top plan view thereof; FIG. 5 is a front elevation view thereof; and, FIG. 6 is a rear elevation view thereof; The features shown in broken line depict environmental structure only and form no part of the claimed design.

1 Claim, 3 Drawing Sheets

(56) **References Cited**
U.S. PATENT DOCUMENTS
D434,916 S * 12/2000 Galati et al. D6/336
D560,310 S * 1/2008 Le D28/56
D561,903 S * 2/2008 Ton D24/204
D569,986 S * 5/2008 Ton D24/204
D571,018 S * 6/2008 Ton et al. D24/204
D571,961 S * 6/2008 Nguyen D28/56

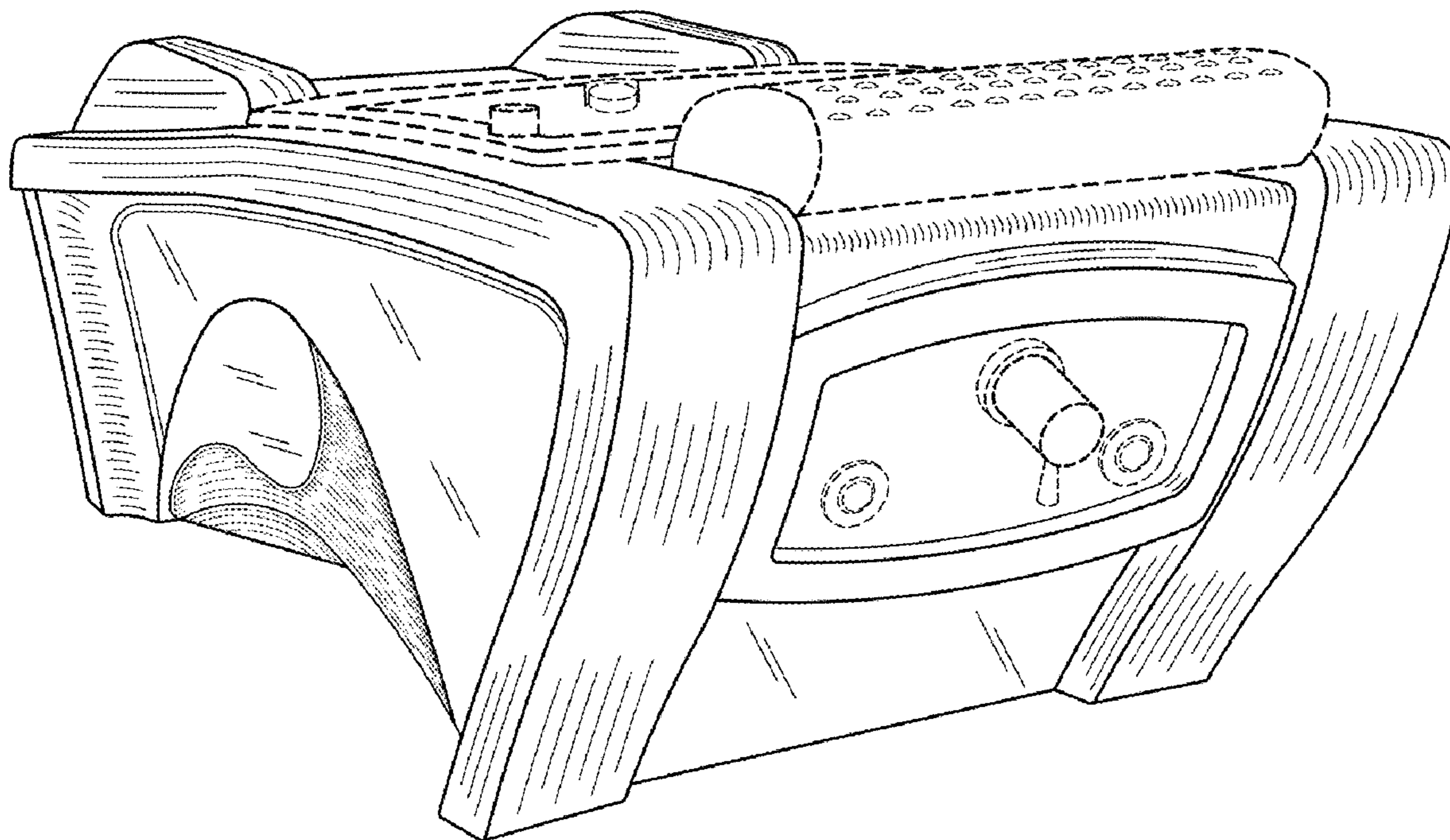


FIG. 1

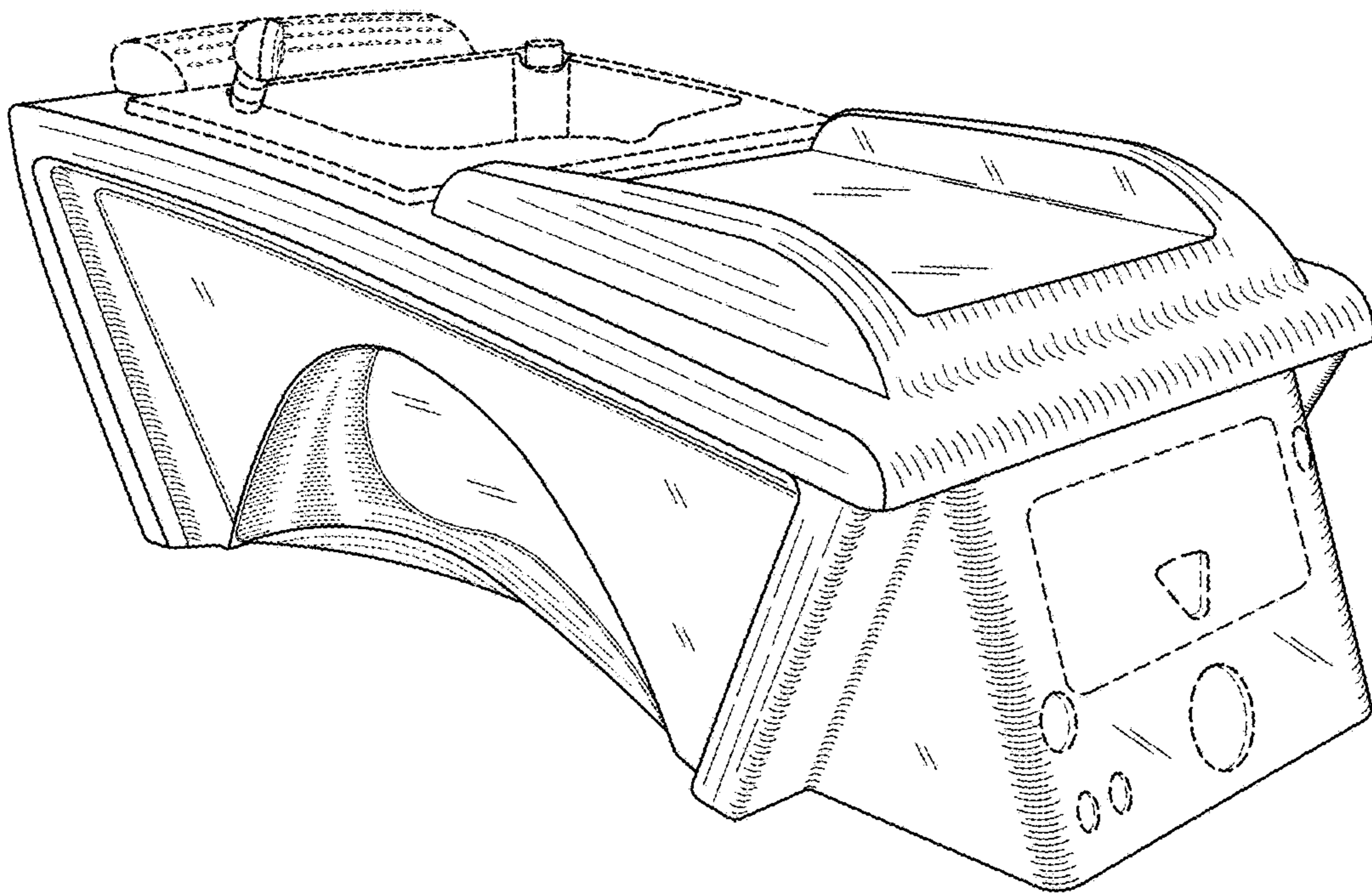
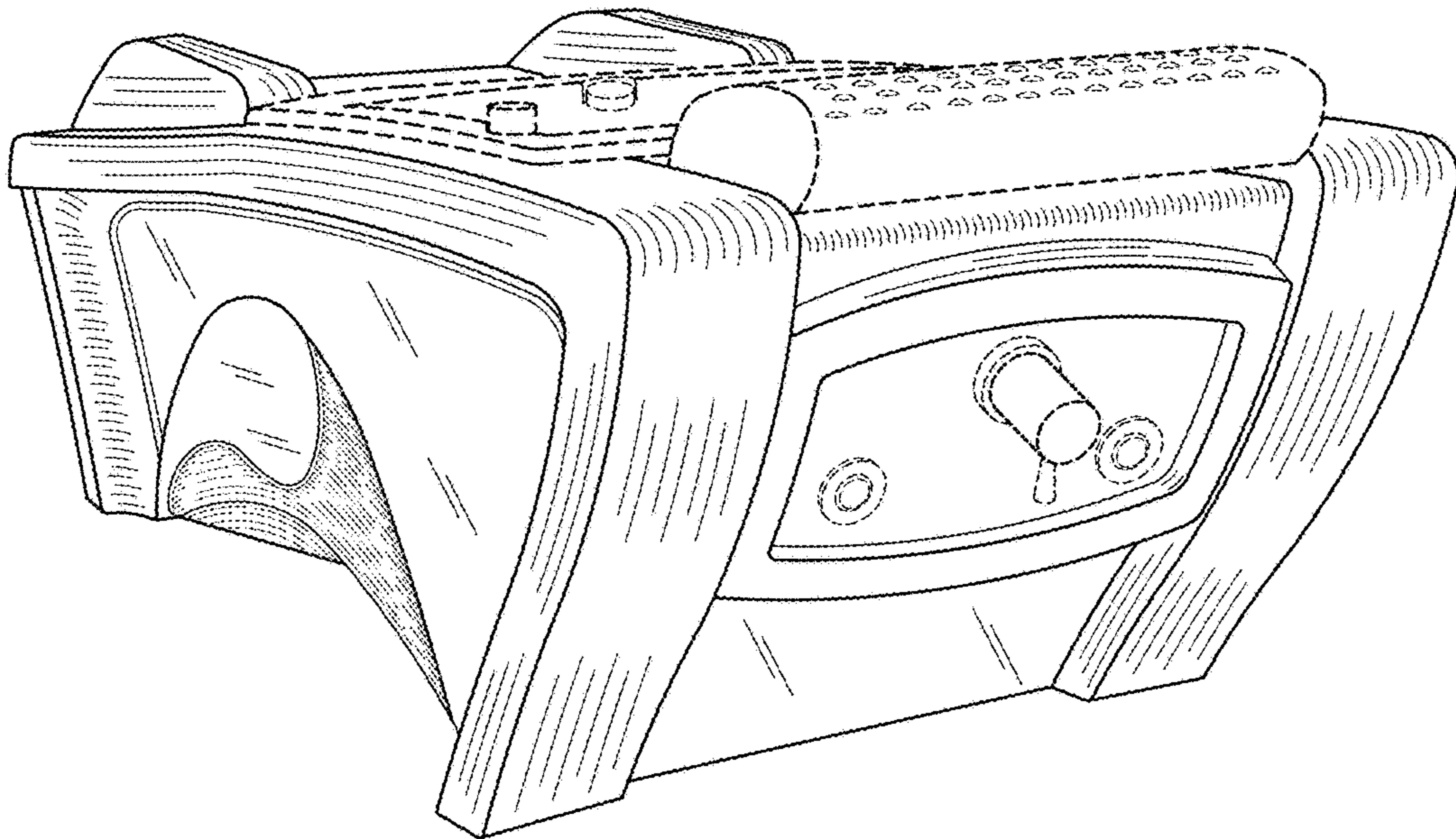


FIG. 2

FIG. 3

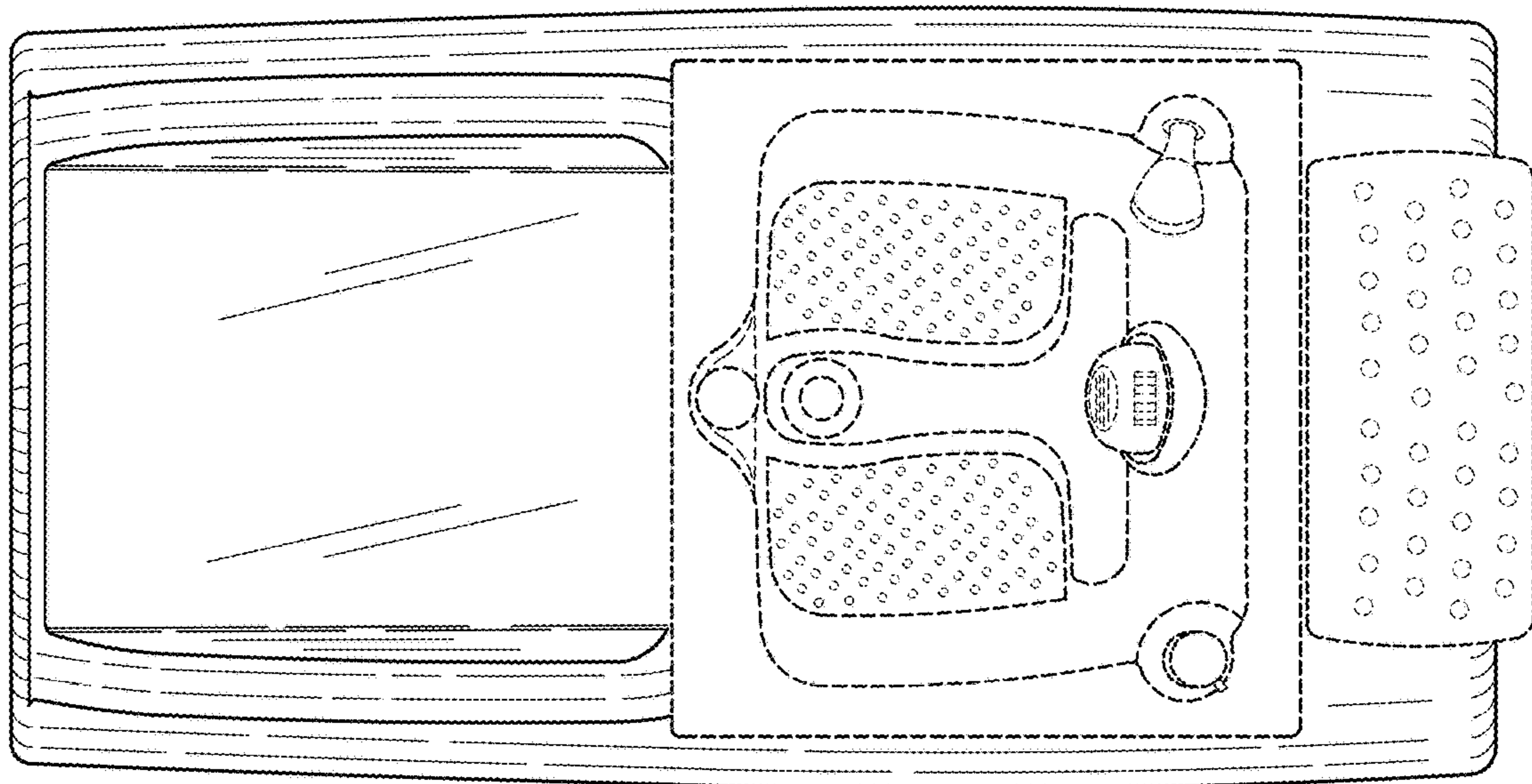
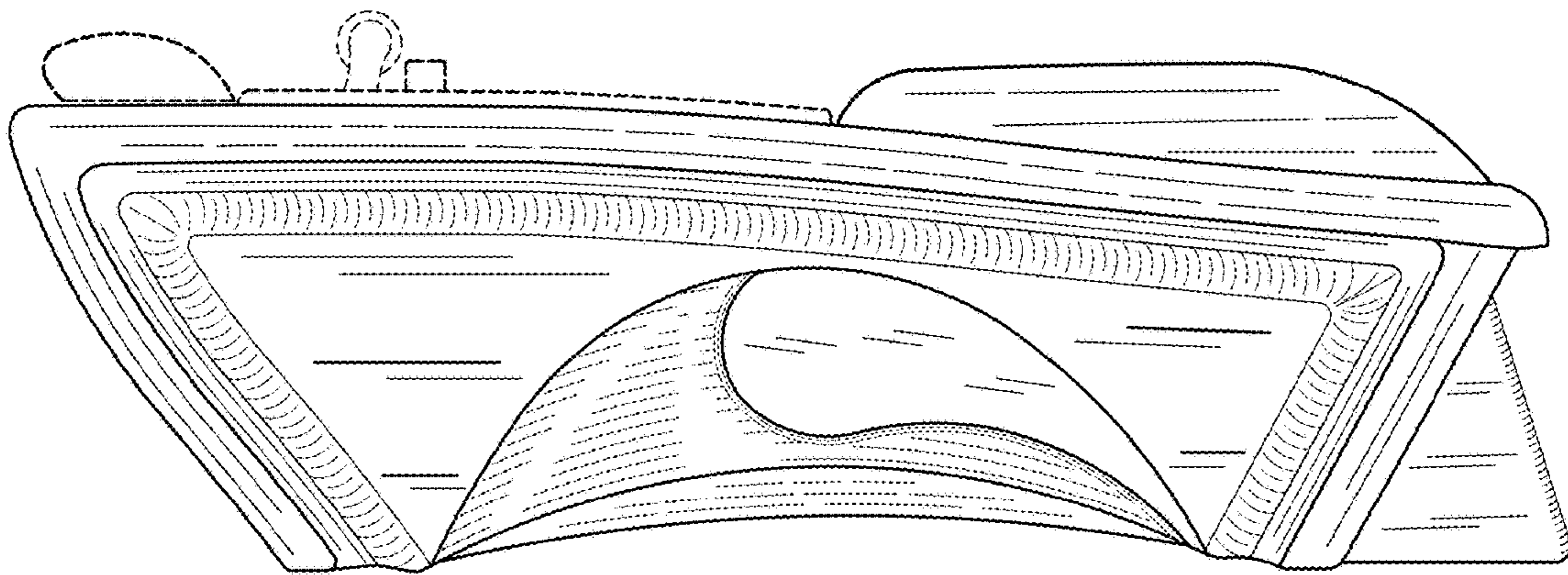


FIG. 4

FIG. 5

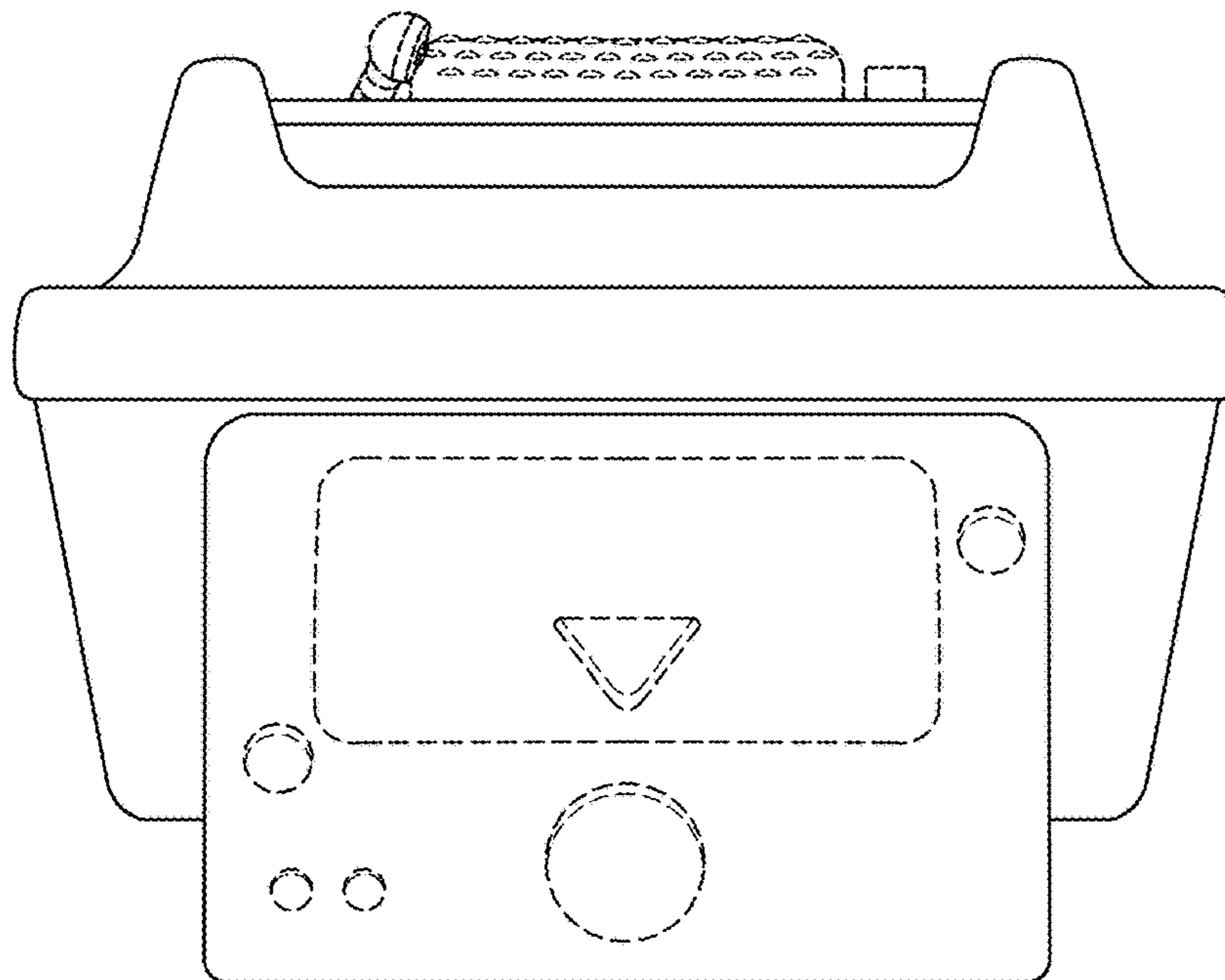
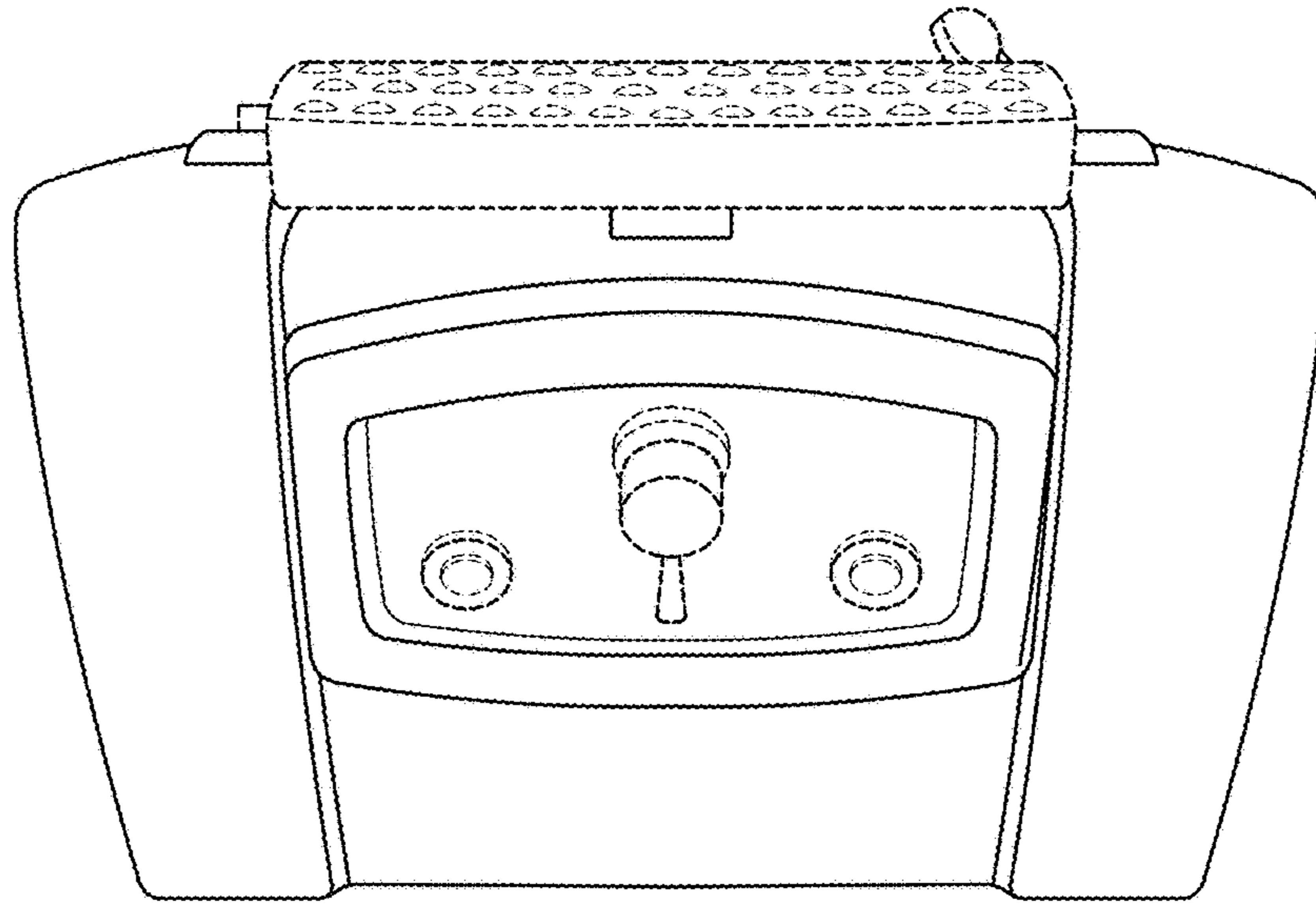


FIG. 6