



US00D803410S

(12) **United States Design Patent**
Im et al.

(10) **Patent No.:** **US D803,410 S**

(45) **Date of Patent:** **** Nov. 21, 2017**

(54) **INSTRUMENT FOR MEASURING ELECTROCARDIOGRAM**

(71) Applicant: **SAMSUNG ELECTRONICS CO., LTD.**, Suwon-si (KR)

(72) Inventors: **Seungbin Im**, Yongin-si (KR);
Sungchan Ko, Suwon-si (KR)

(73) Assignee: **SAMSUNG ELECTRONICS CO., LTD.**, Gyeonggi-Do (KR)

(**) Term: **15 Years**

(21) Appl. No.: **29/567,012**

(22) Filed: **Jun. 3, 2016**

(30) **Foreign Application Priority Data**

Dec. 7, 2015 (KR) 30-2015-0062270

(51) **LOC (10) Cl.** **24-01**

(52) **U.S. Cl.**
USPC **D24/187**; D24/169

(58) **Field of Classification Search**
USPC D24/134, 164, 165, 167, 169, 186, 187,
D24/200, 168; D10/57, 108, 116.1,
D10/106.1; D21/529, 324; 374/208;
600/316, 322, 345, 372, 398, 483-485,
600/500, 506, 529, 549, 554-555, 586,
600/588, 16, 300-301, 324-325, 374,
600/382, 390-391, 393, 407, 424, 473,
600/479, 508-509, 513; D13/164, 171,
D13/162, 174, 168, 108; D28/82;
(Continued)

(56) **References Cited**

U.S. PATENT DOCUMENTS

D328,617 S * 8/1992 Emmel D10/116.1
5,289,824 A * 3/1994 Mills A61B 5/0404
600/508

(Continued)

FOREIGN PATENT DOCUMENTS

EM 0017316880001 10/2010
KR 300798512 S 6/2015
KR 300820783 S 10/2015

Primary Examiner — Ian Simmons

Assistant Examiner — Mark Cavanna

(74) *Attorney, Agent, or Firm* — Cantor Colburn LLP

(57) **CLAIM**

The ornamental design for an instrument for measuring electrocardiogram, as shown and described.

DESCRIPTION

FIG. 1 is a top perspective view of an instrument for measuring electrocardiogram showing our new design;

FIG. 2 is a front view thereof;

FIG. 3 is a rear view thereof;

FIG. 4 is a left side view thereof;

FIG. 5 is a right side view thereof;

FIG. 6 is a top view thereof;

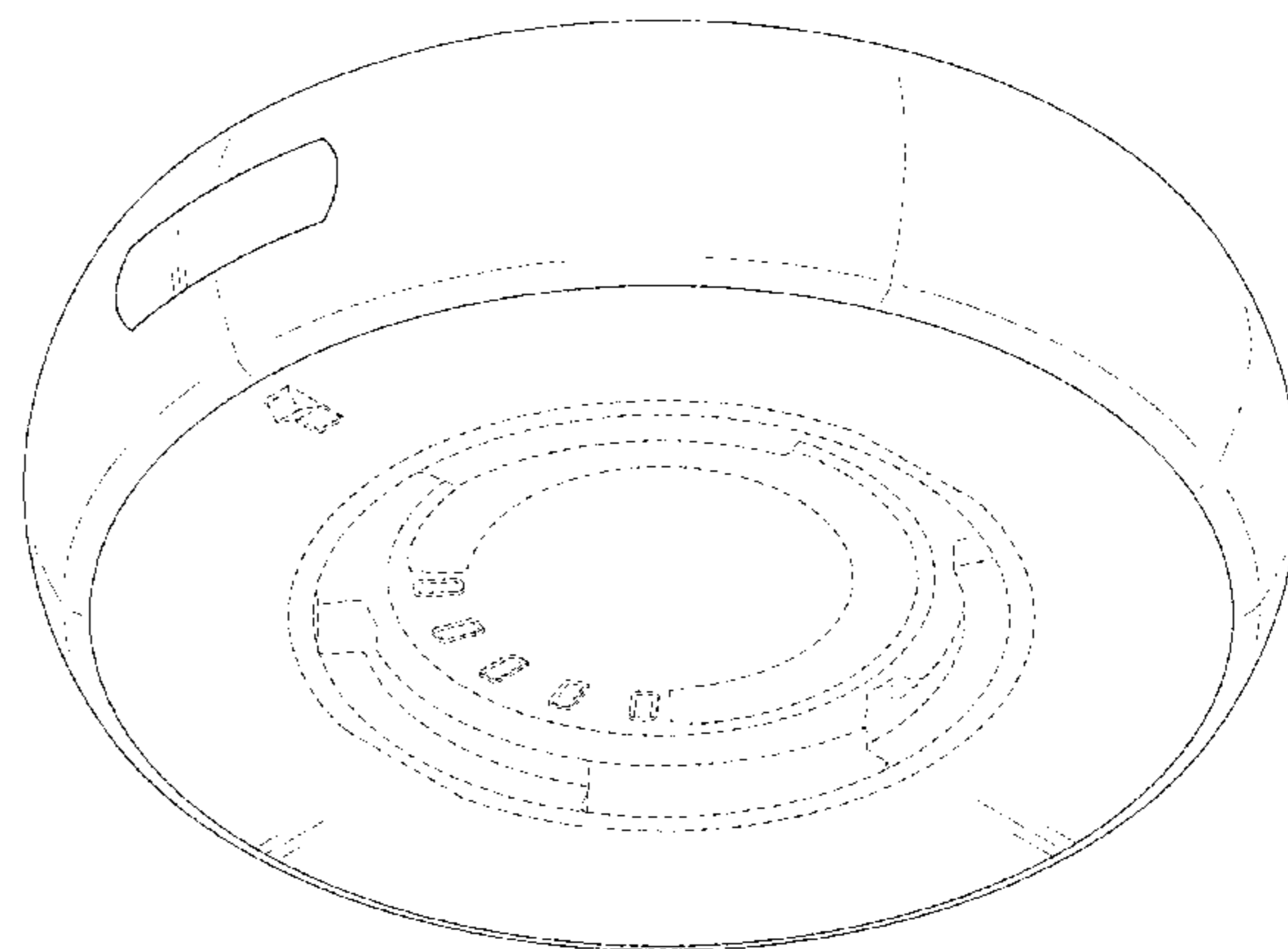
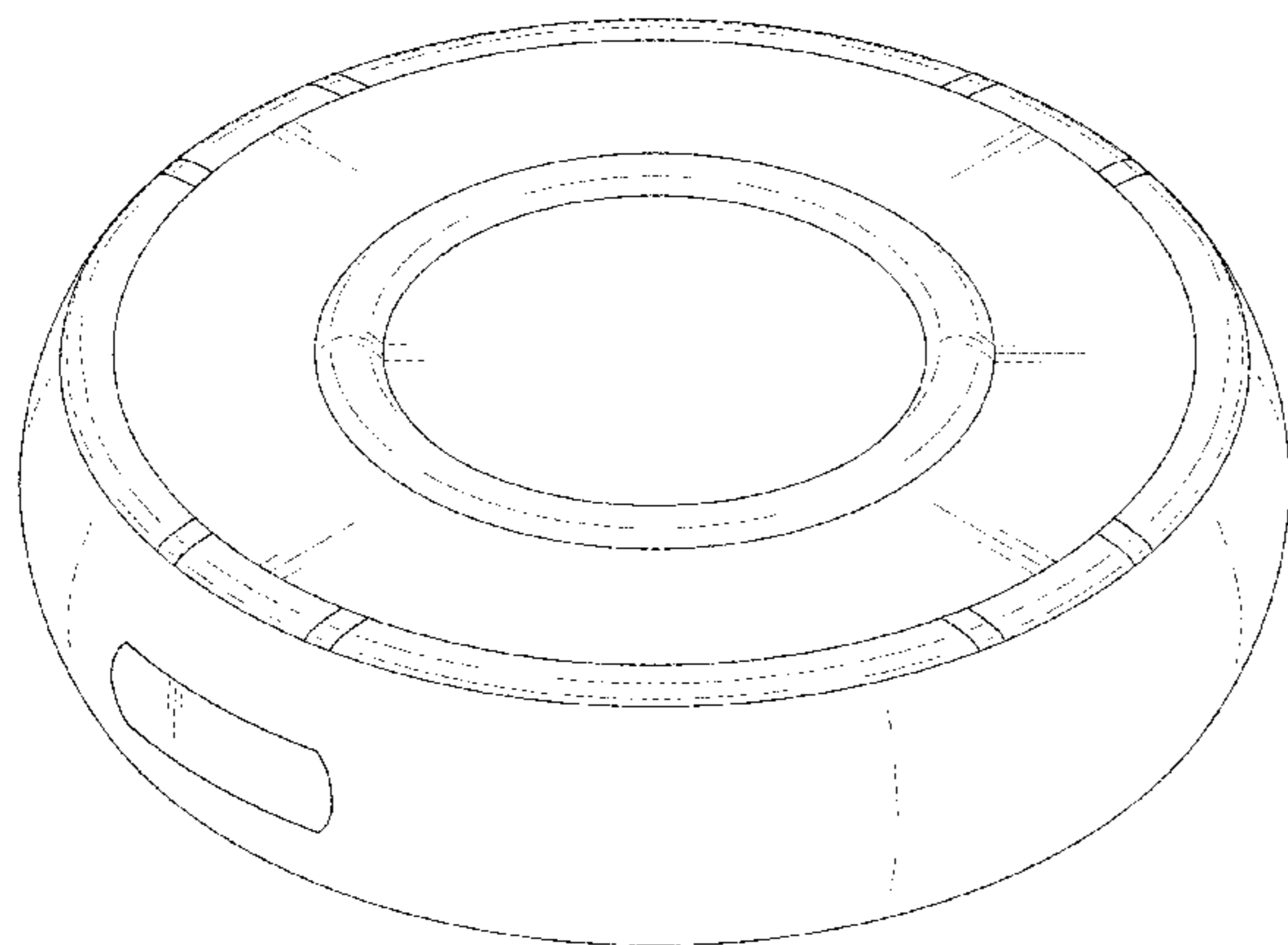
FIG. 7 is a bottom view thereof;

FIG. 8 is another perspective view thereof; and,

FIG. 9 is a top perspective exploded view of an instrument for measuring electrocardiogram with a measuring instrument module in dot-dot-dash broken lines provided to illustrate an example environment.

The dash-dash broken lines in FIGS. 7-9 immediately adjacent to claimed surfaces represent the boundaries of the claimed design and also show portions of the instrument for measuring electrocardiogram that form no part of the claimed design. The dot-dot-dash lines in FIG. 9 showing an additional measuring instrument module are for the purpose of illustrating environmental structure and form no part of the claimed design. None of the broken lines form any part of the claimed design.

1 Claim, 7 Drawing Sheets



US D803,410 S

(58) **Field of Classification Search**

USPC D26/89, 104; D14/460, 218, 426, 223,
D14/400; D9/500; 601/41; 606/34, 41;
607/5

CPC G01K 1/14; G01K 13/002; A61B 5/0002;
A61B 5/14532; A61B 5/1455; A61B
5/0408; A61B 3/16; A61B 5/0205; A61B
5/021; A61B 5/0535; A61B 7/003; A61B
5/01; A61B 5/05; A61B 5/483; A61B
5/4356; A61B 18/1492; A61B 34/20;
A61B 5/00; A61B 5/0006; A61B 5/0022;
A61B 5/0031; A61B 5/02028; A61B
5/02055; A61B 5/024; A61B 5/02416;
A61B 5/02438; A61B 5/04017; A61B
5/0402; A61B 5/0404; A61B 5/04085;
A61B 5/042; A61B 5/0422; A61B 5/044;
A61B 5/0452; A61B 5/681; A61B
5/6833; A61B 8/0866; G03B 17/14;
A61N 1/0456; A61N 1/006; A61N
1/0492; A61N 1/37211; A61N 5/0616

See application file for complete search history.

(56) **References Cited**

U.S. PATENT DOCUMENTS

D377,983 S * 2/1997 Sabri D24/167
D413,673 S * 9/1999 Jacobs D24/165
6,063,036 A * 5/2000 Li A61B 5/02438
600/500
D429,336 S * 8/2000 Francis D24/167
D452,012 S * 12/2001 Phillips D24/186
D492,999 S * 7/2004 Lax D24/167
D502,414 S * 3/2005 Shibata D10/57
D507,078 S * 7/2005 Greenfield D28/82
7,257,438 B2 * 8/2007 Kinast A61B 5/6833
600/301
D597,211 S * 7/2009 Ewing D24/187
D601,564 S * 10/2009 Maeno D14/400
D603,698 S * 11/2009 VerWeyst D9/500
D608,451 S * 1/2010 Hanoun D24/186
D616,550 S * 5/2010 Lhuillery D24/169
D622,844 S * 8/2010 Alexander D24/134
D627,306 S * 11/2010 Charleux D13/168
D631,552 S * 1/2011 Kasabach D24/186
D642,690 S * 8/2011 Altmann D24/186

D645,818 S * 9/2011 Guccione D13/108
D659,836 S * 5/2012 Bensch D24/167
8,214,007 B2 * 7/2012 Baker A61B 5/0006
600/509
D666,929 S * 9/2012 Tyler D10/57
D675,738 S * 2/2013 Baumer D24/168
8,449,469 B2 * 5/2013 Banet A61B 5/6833
600/509
8,509,882 B2 * 8/2013 Albert A61B 5/0404
600/509
8,543,197 B2 * 9/2013 Striepe A61B 5/0404
600/508
D697,800 S * 1/2014 Villarreal D28/82
D701,964 S * 4/2014 Yoneta D24/187
D714,787 S * 10/2014 Matsuoka D14/426
D714,942 S * 10/2014 Hwang D24/167
D715,446 S * 10/2014 Lee D24/167
D718,868 S * 12/2014 Schroderus D24/167
D721,853 S * 1/2015 Koo D28/82
D757,275 S * 5/2016 Lee D24/187
9,392,940 B2 * 7/2016 Snichelotto A61N 1/37211
D773,056 S * 11/2016 Vlach D24/186
D773,437 S * 12/2016 Lee D14/223
D776,820 S * 1/2017 Rouillac D24/167
D783,838 S * 4/2017 Zhao D24/186
9,649,042 B2 * 5/2017 Albert A61B 5/0404
2007/0073266 A1 * 3/2007 Chmiel A61B 5/00
600/300
2012/0089001 A1 * 4/2012 Bishay A61B 5/02438
600/391
2012/0232398 A1 * 9/2012 Roham A61B 8/0866
600/508
2014/0073970 A1 * 3/2014 Ashby A61B 5/0205
600/484
2015/0073285 A1 * 3/2015 Albert A61B 5/0408
600/509
2015/0088007 A1 * 3/2015 Bardy A61B 5/0022
600/484
2015/0190094 A1 * 7/2015 Lee A61B 5/02416
600/479
2015/0272466 A1 * 10/2015 Laakkonen A61B 5/0408
600/509
2015/0305635 A1 * 10/2015 Chang A61B 5/02438
600/508
2016/0045135 A1 * 2/2016 Kim A61B 5/6833
600/391
2016/0262619 A1 * 9/2016 Marcus A61N 1/0492

* cited by examiner

FIG. 1

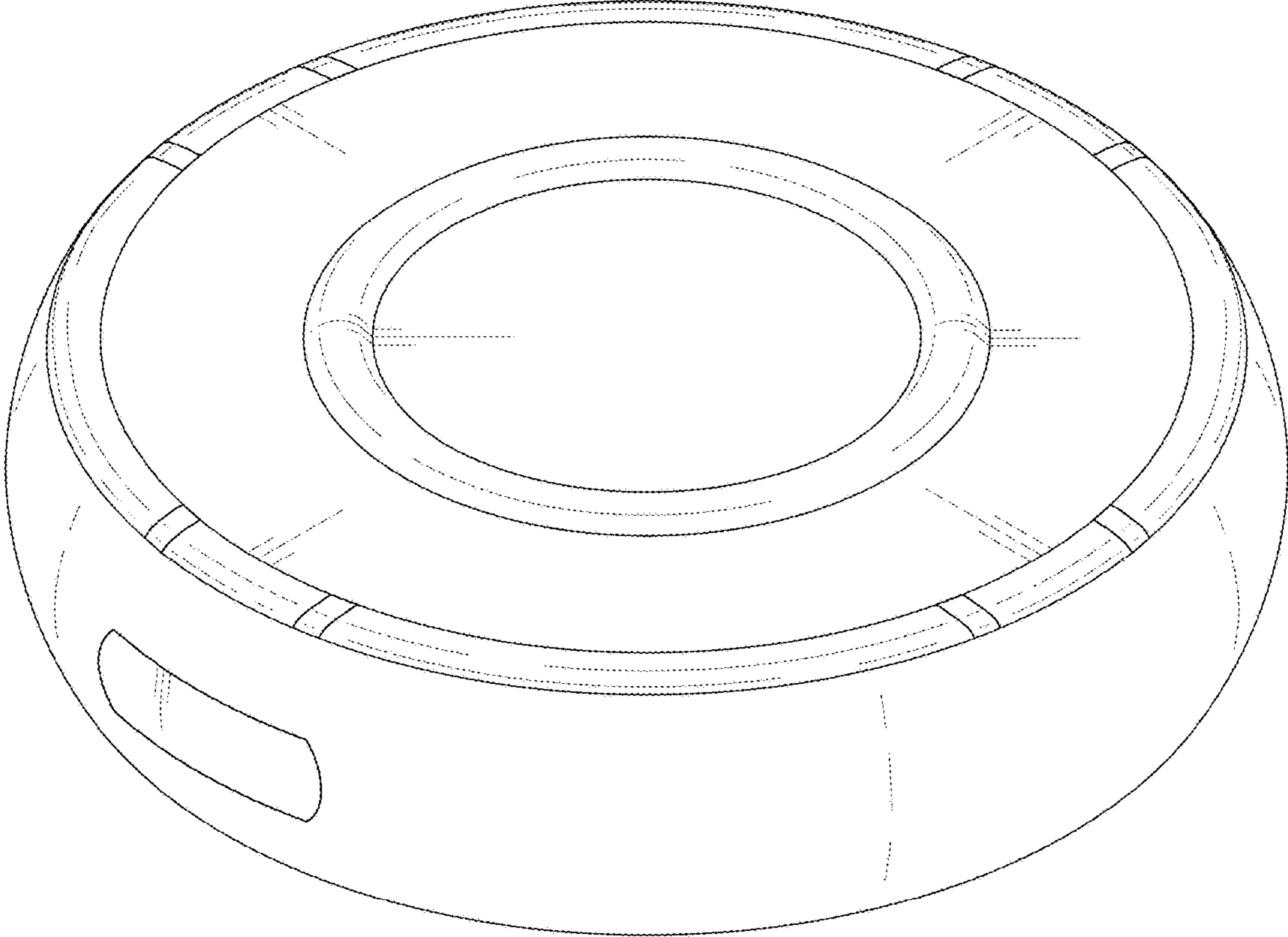


FIG. 2

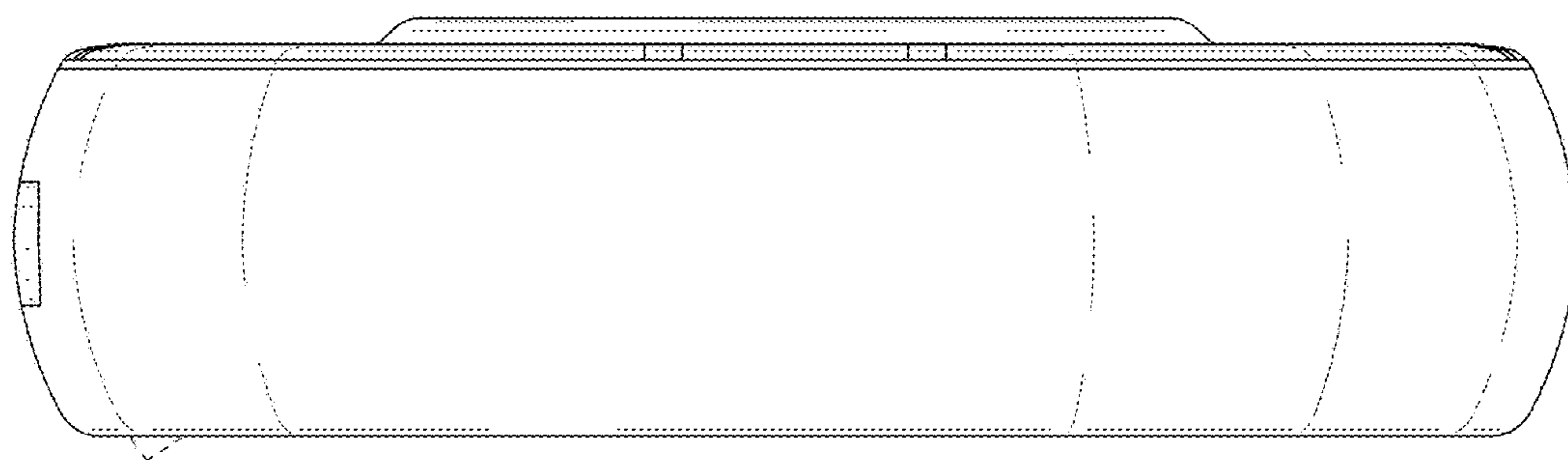


FIG. 3

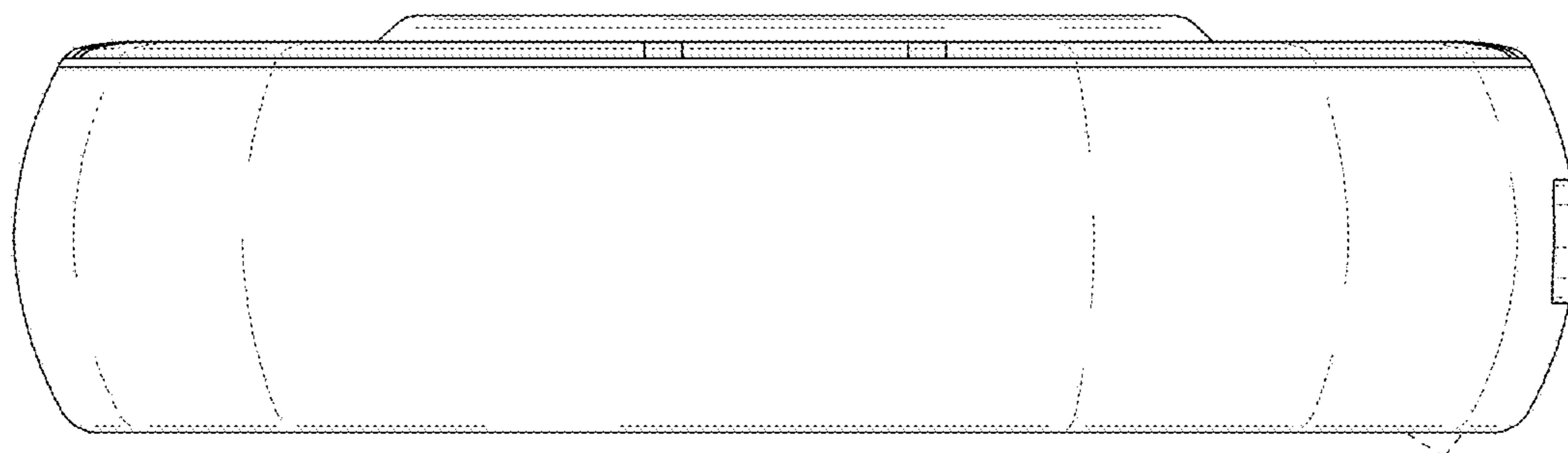


FIG. 4

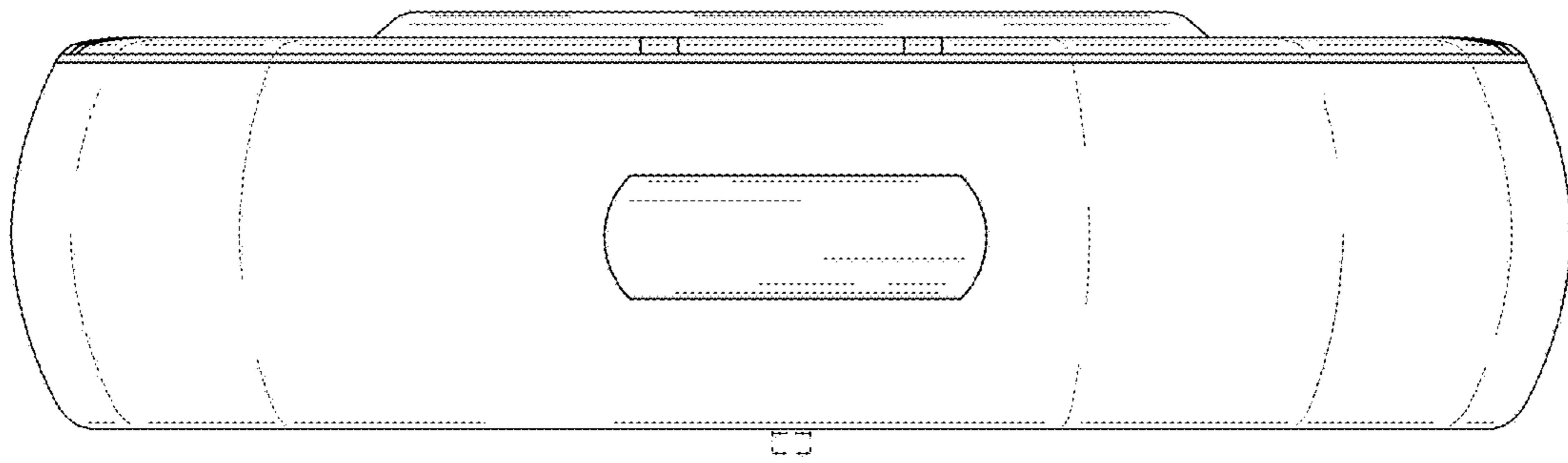


FIG. 5

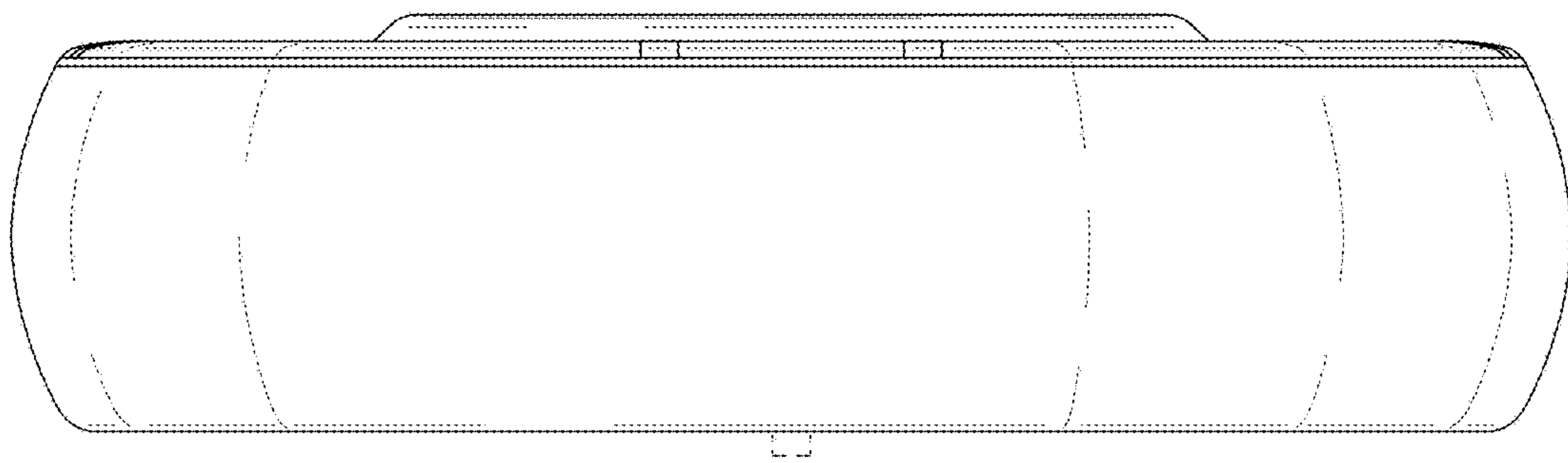


FIG. 6

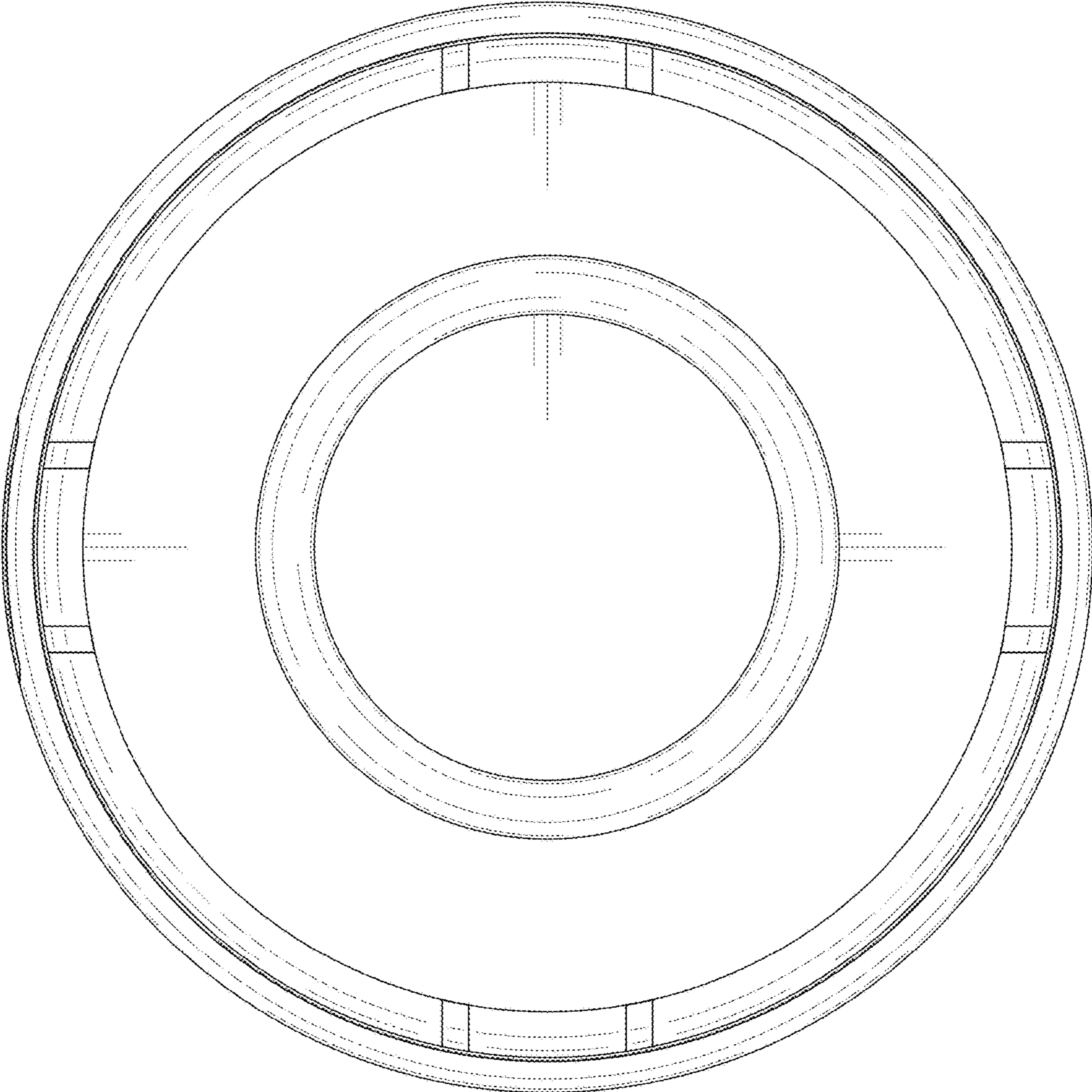


FIG. 7

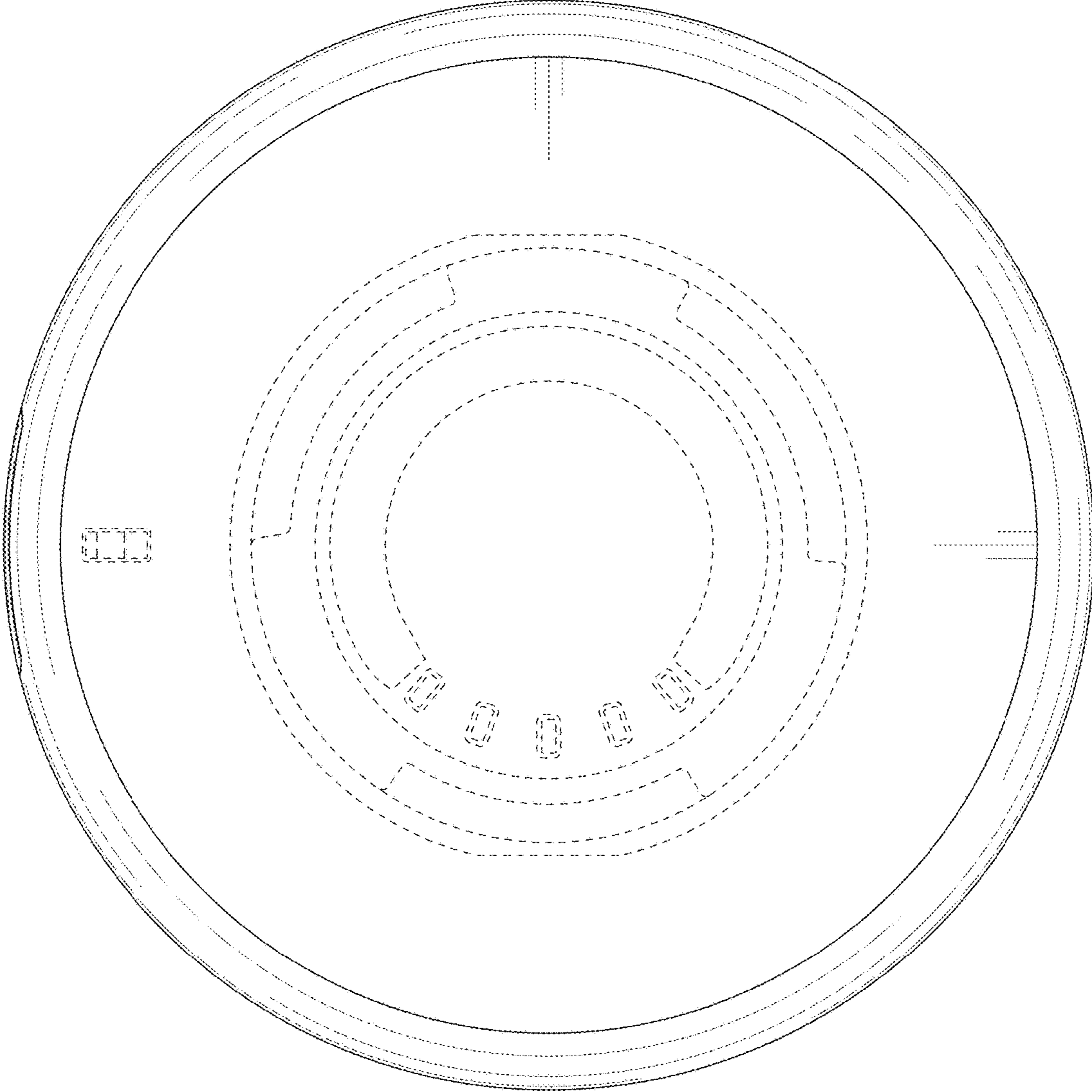


FIG. 8

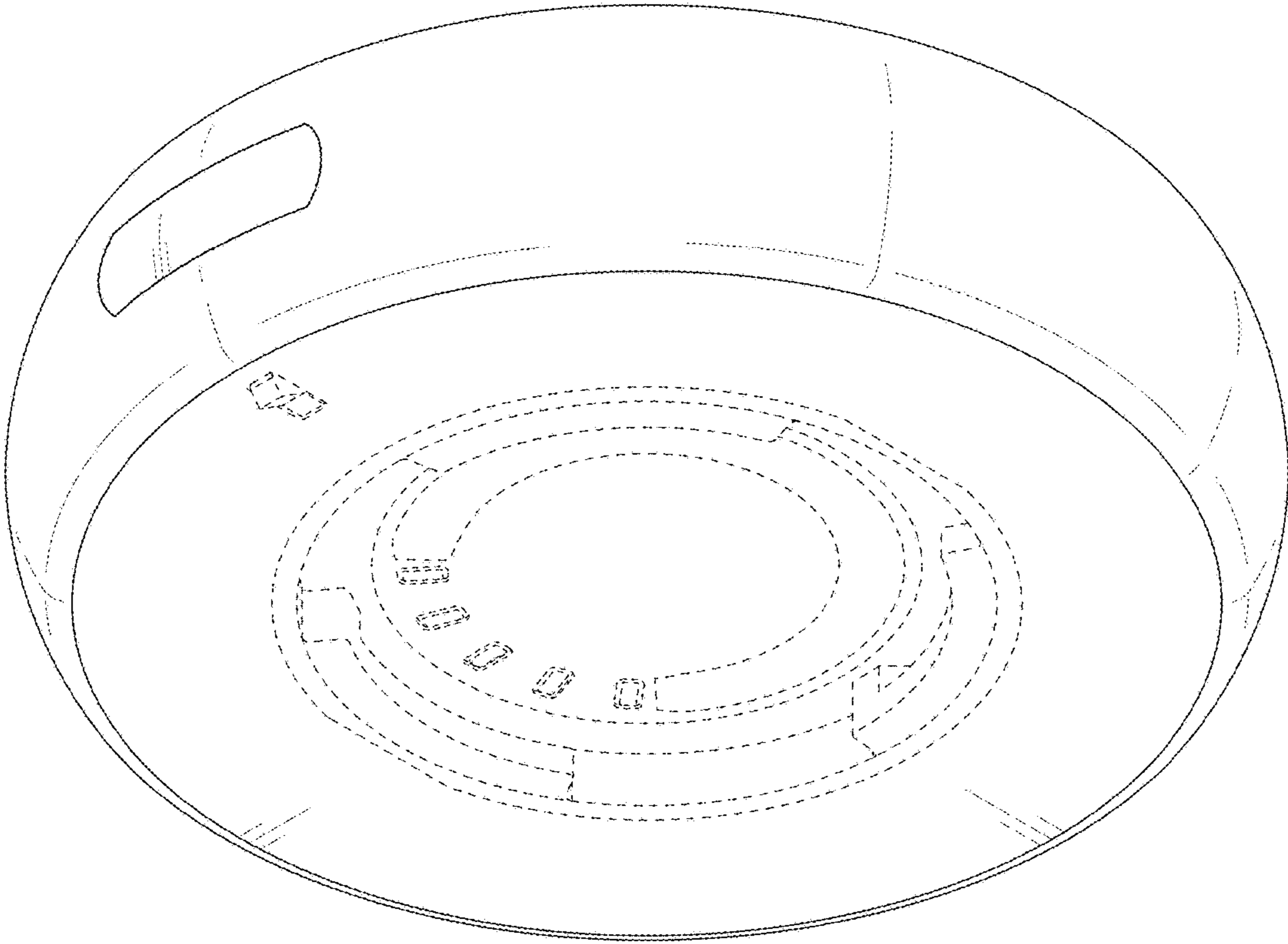


FIG. 9

