



US00D803408S

(12) **United States Design Patent** (10) **Patent No.:** **US D803,408 S**  
**Black** (45) **Date of Patent:** **\*\* Nov. 21, 2017**

(54) **PORTABLE MEDICAL FREEZER CART** 5,230,524 A \* 7/1993 Jackson ..... A61G 5/00  
180/907  
(71) Applicant: **Jay Black**, Escondido, CA (US) 5,671,991 A 9/1997 Grant  
D454,892 S 3/2002 Black et al.  
(72) Inventor: **Jay Black**, Escondido, CA (US) D478,198 S \* 8/2003 Koppes ..... D12/129  
D501,807 S \* 2/2005 Williamson ..... D12/131  
(73) Assignee: **BIOFRIDGE INC.**, Escondido, CA D626,236 S \* 10/2010 Ninomiya ..... D24/185  
(US) D649,092 S \* 11/2011 Durojaiye ..... D12/131  
D655,880 S \* 3/2012 Giampavolo ..... D34/12  
D657,469 S \* 4/2012 Vilas ..... D24/185

(\*\*) Term: **15 Years**

\* cited by examiner

(21) Appl. No.: **29/569,881**

*Primary Examiner* — Sheryl Lane

(22) Filed: **Jun. 30, 2016**

*Assistant Examiner* — Calvin E Vansant

(51) **LOC (10) Cl.** ..... **24-02**

(74) *Attorney, Agent, or Firm* — Gary L. Eastman, Esq.;  
Eastman & McCartney LLP

(52) **U.S. Cl.**

USPC ..... **D24/185**

(57) **CLAIM**

(58) **Field of Classification Search**

USPC ..... D24/158–160, 164, 170, 177, 183–186,  
D24/231; D4/406.1–406.2; D13/163;  
D6/406.1–406.2; D34/12–37

The ornamental design for a portable medical freezer cart, as shown and described.

CPC ..... F16M 11/42; F16M 2013/025; F16M  
2013/026; F16M 2013/027; A61M  
5/1415; A61B 50/10; A61B 50/13; A61B  
8/4405; A47C 7/004; A47C 7/006; A47B  
13/023; A47B 2013/025; A47B 2013/026;  
A47B 2013/027

**DESCRIPTION**

See application file for complete search history.

FIG. 1 is a top-front perspective view of a portable medical freezer cart;  
FIG. 2 is a top-front-left perspective view thereof;  
FIG. 3 is a back-right-bottom perspective view thereof;  
FIG. 4 is a right-side elevational view thereof;  
FIG. 5 is a left-side elevational view thereof;  
FIG. 6 is a back elevational view thereof;  
FIG. 7 is a front elevational view thereof;  
FIG. 8 is a top plan view thereof; and,  
FIG. 9 is a bottom plan view thereof.

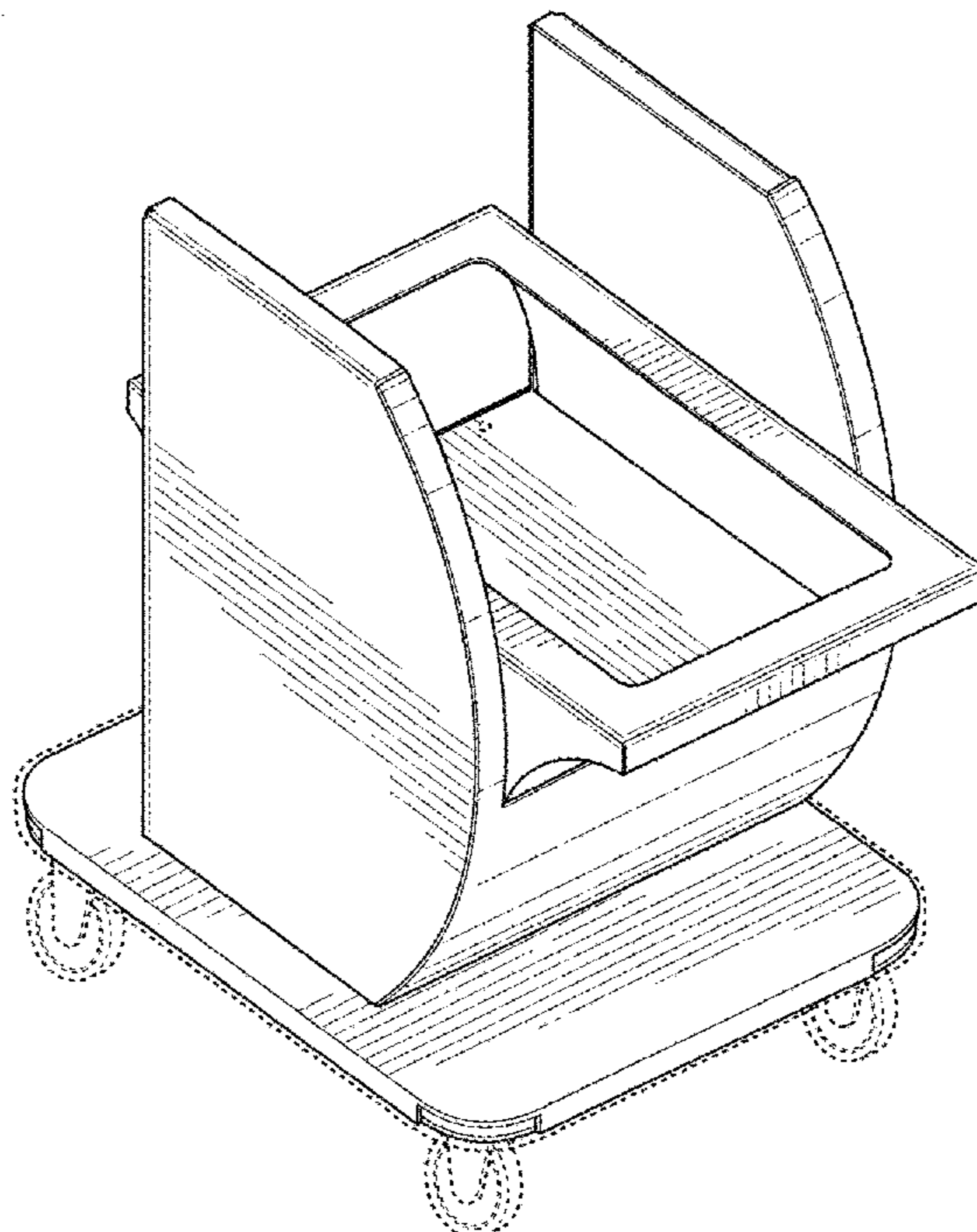
The broken lines depict portions of the portable medical freezer cart and form no part of the claimed design.

(56) **References Cited**

U.S. PATENT DOCUMENTS

D136,305 S 9/1943 Teeter  
D155,785 S \* 11/1949 Donovan ..... 280/47.35  
2,522,623 A 9/1950 Likes et al.  
D256,587 S 8/1980 Tatsumi  
D285,692 S 9/1986 Albiez

**1 Claim, 9 Drawing Sheets**



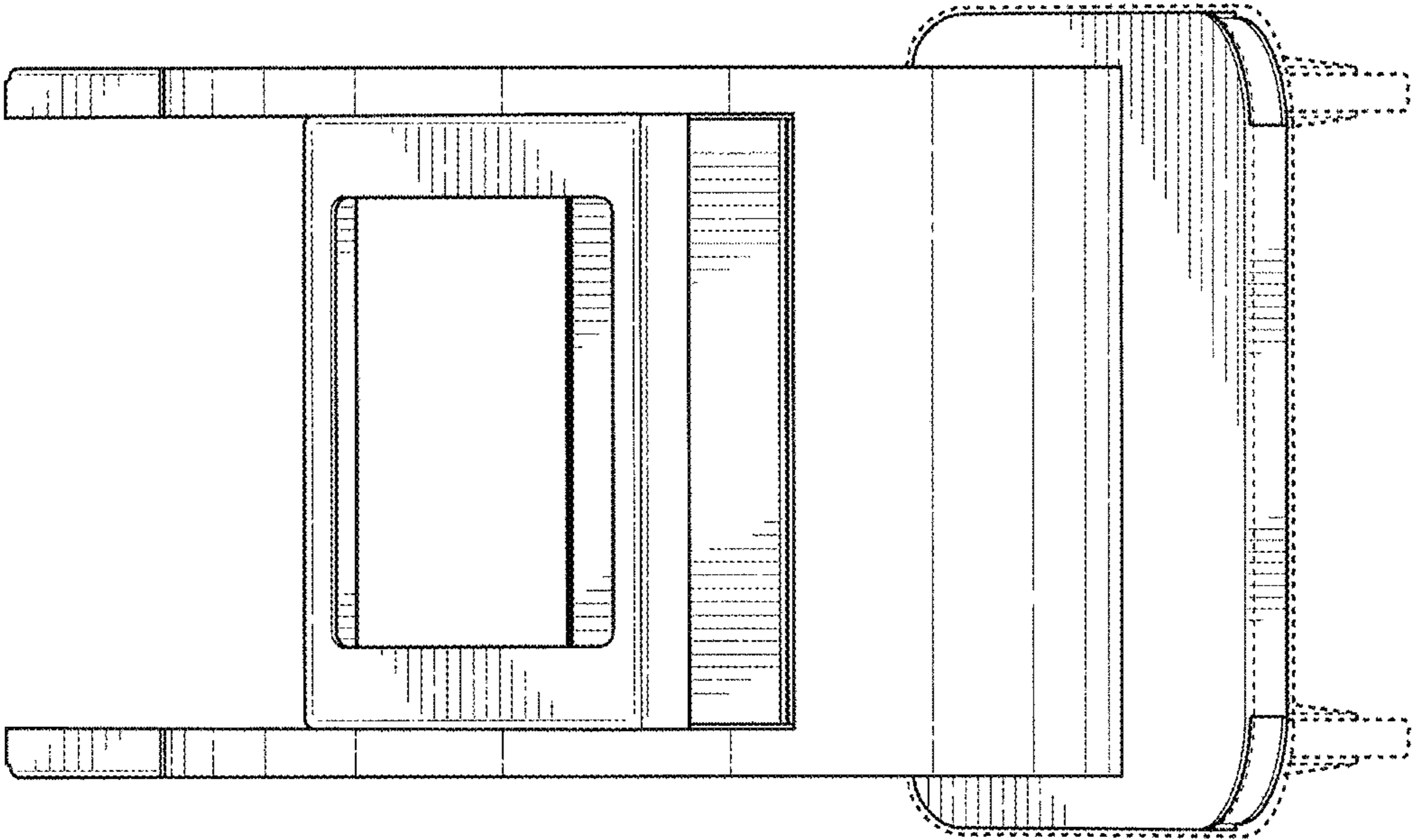


FIG. 1

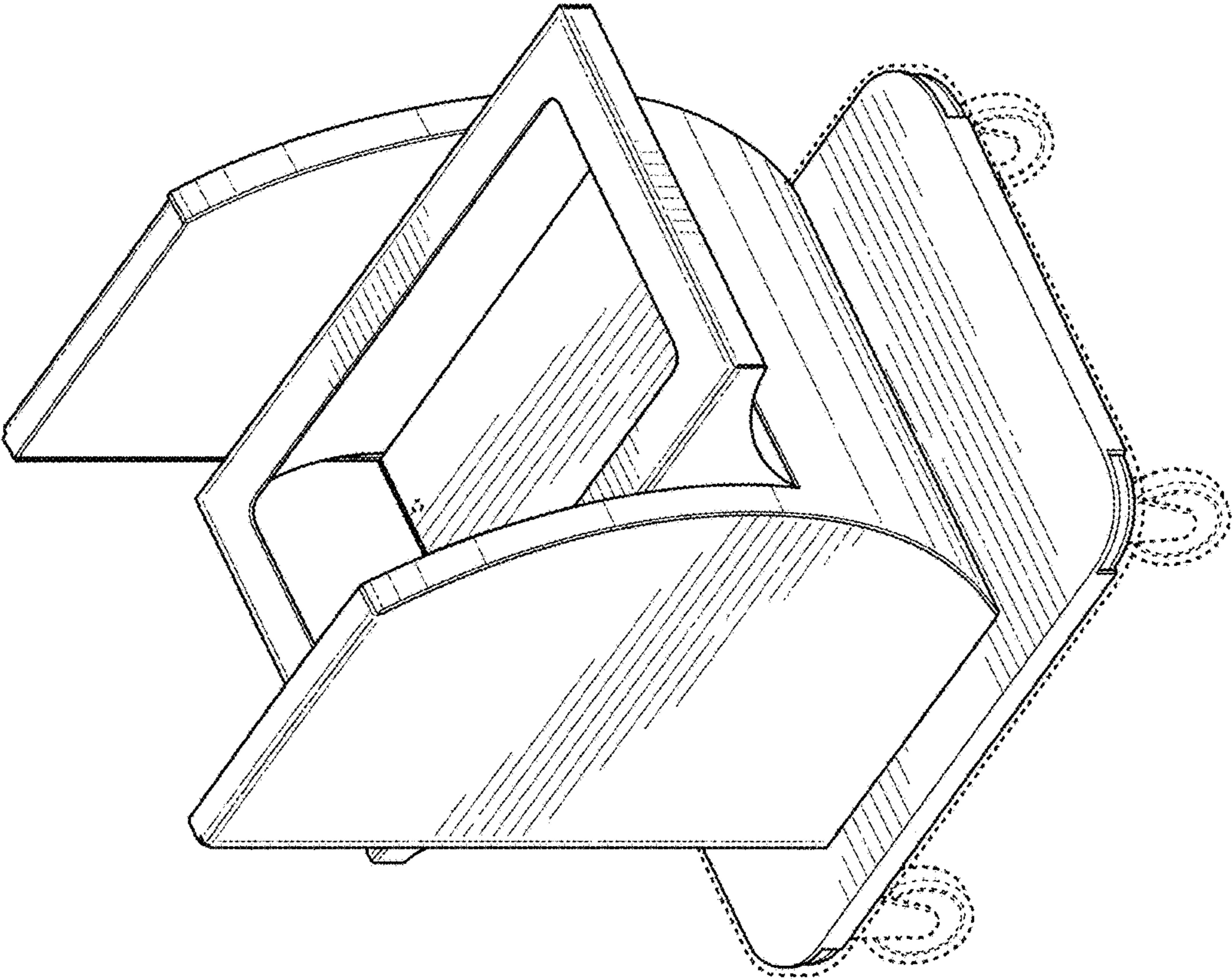


FIG. 2

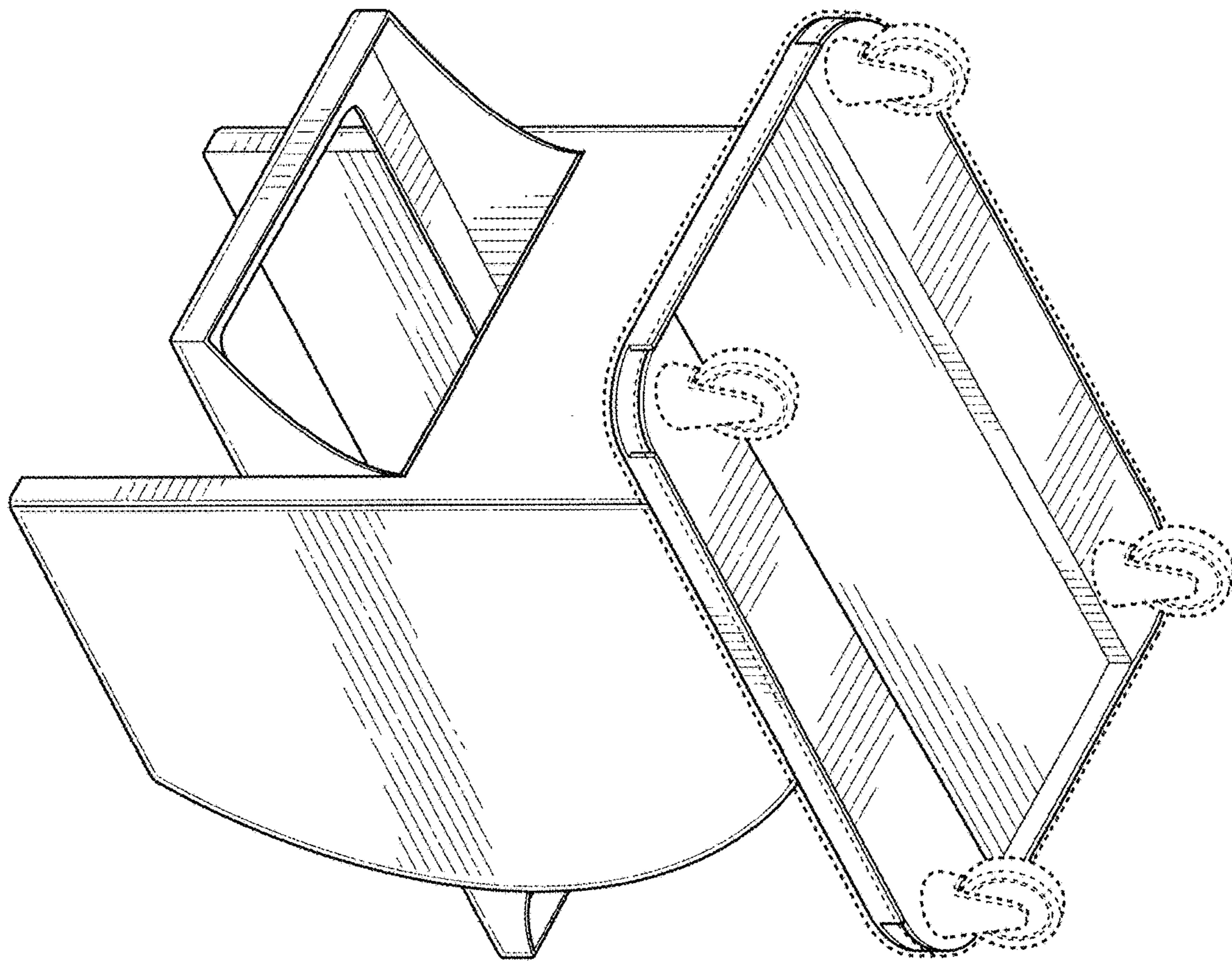


FIG. 3

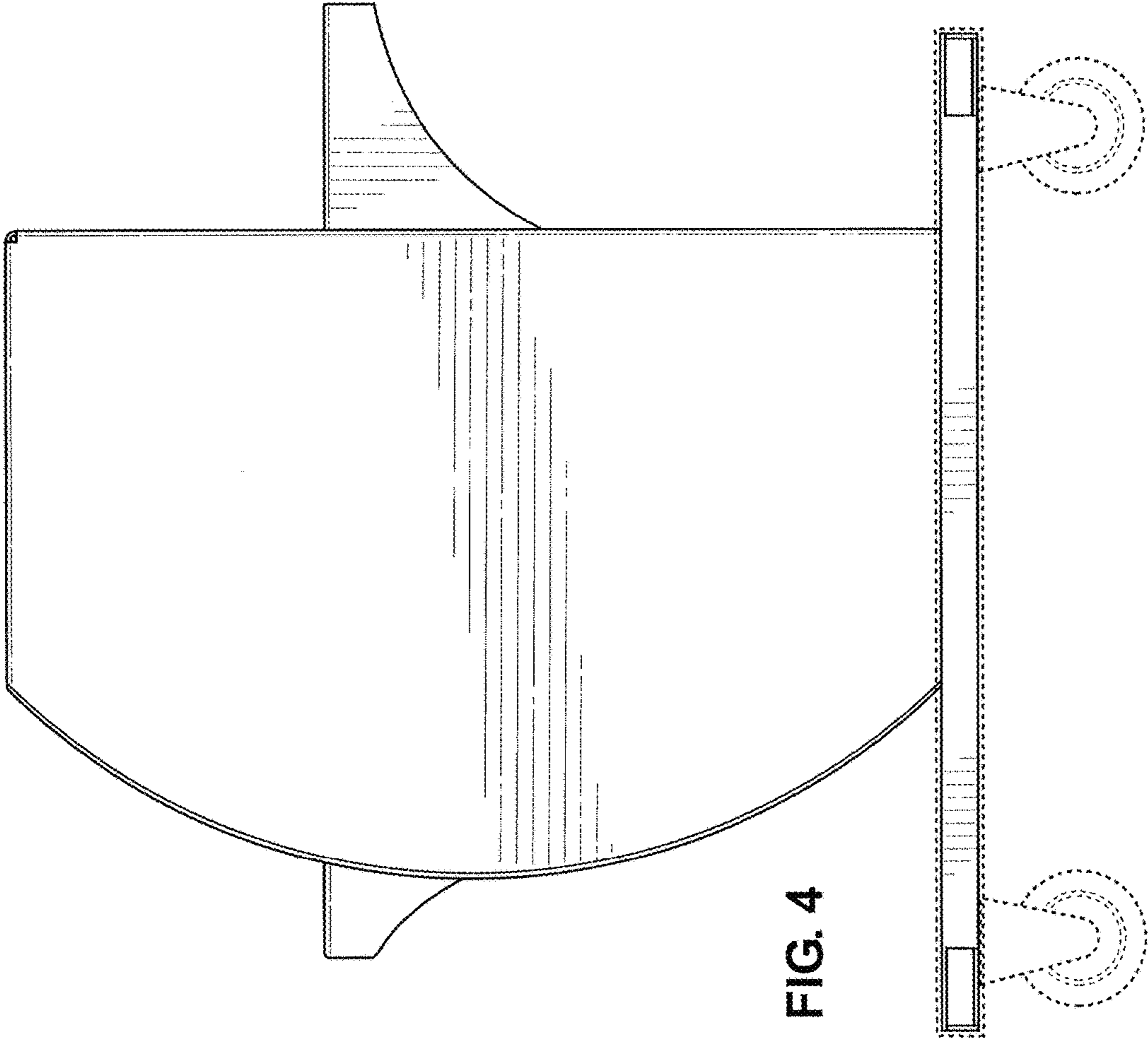
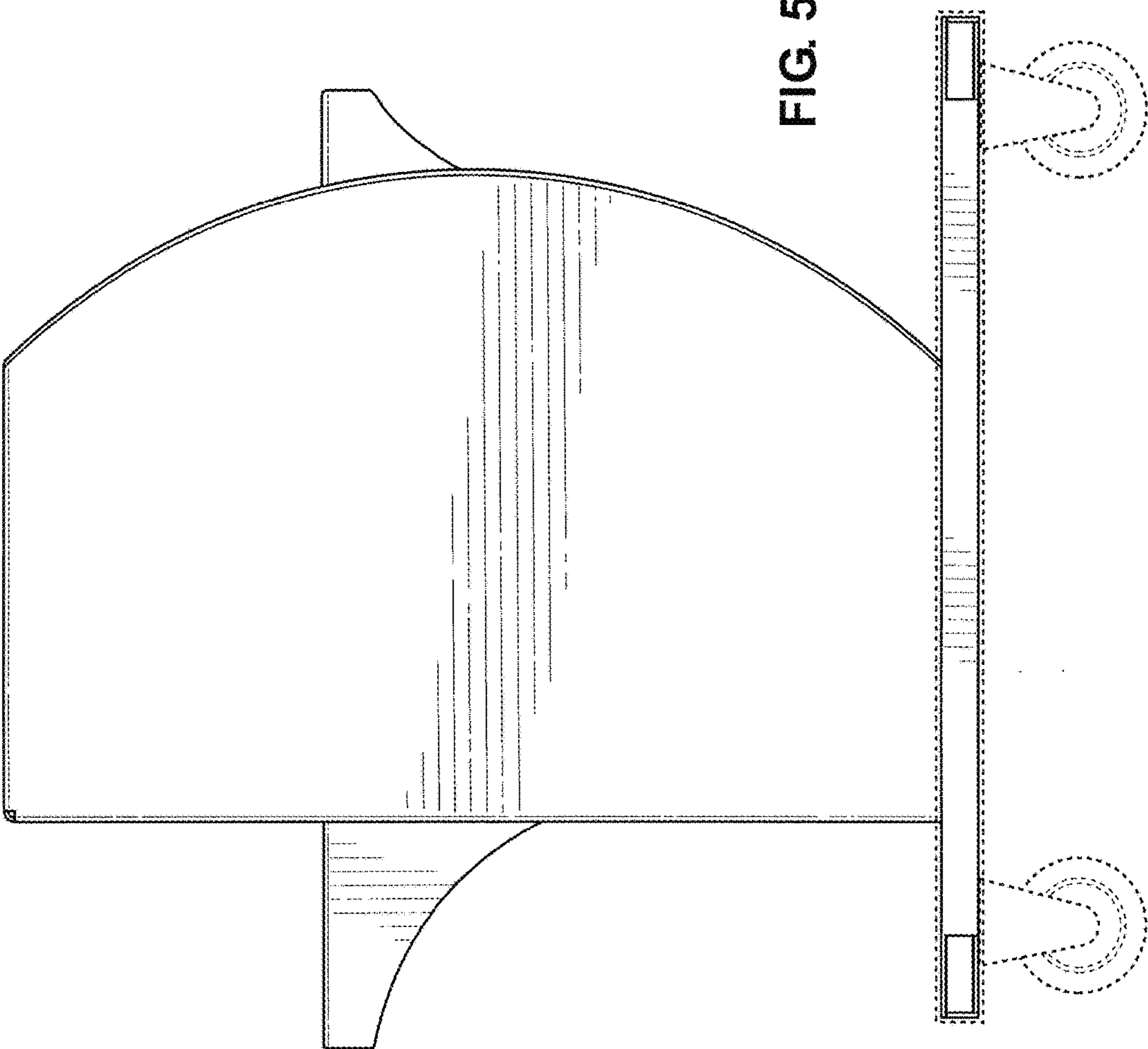


FIG. 4



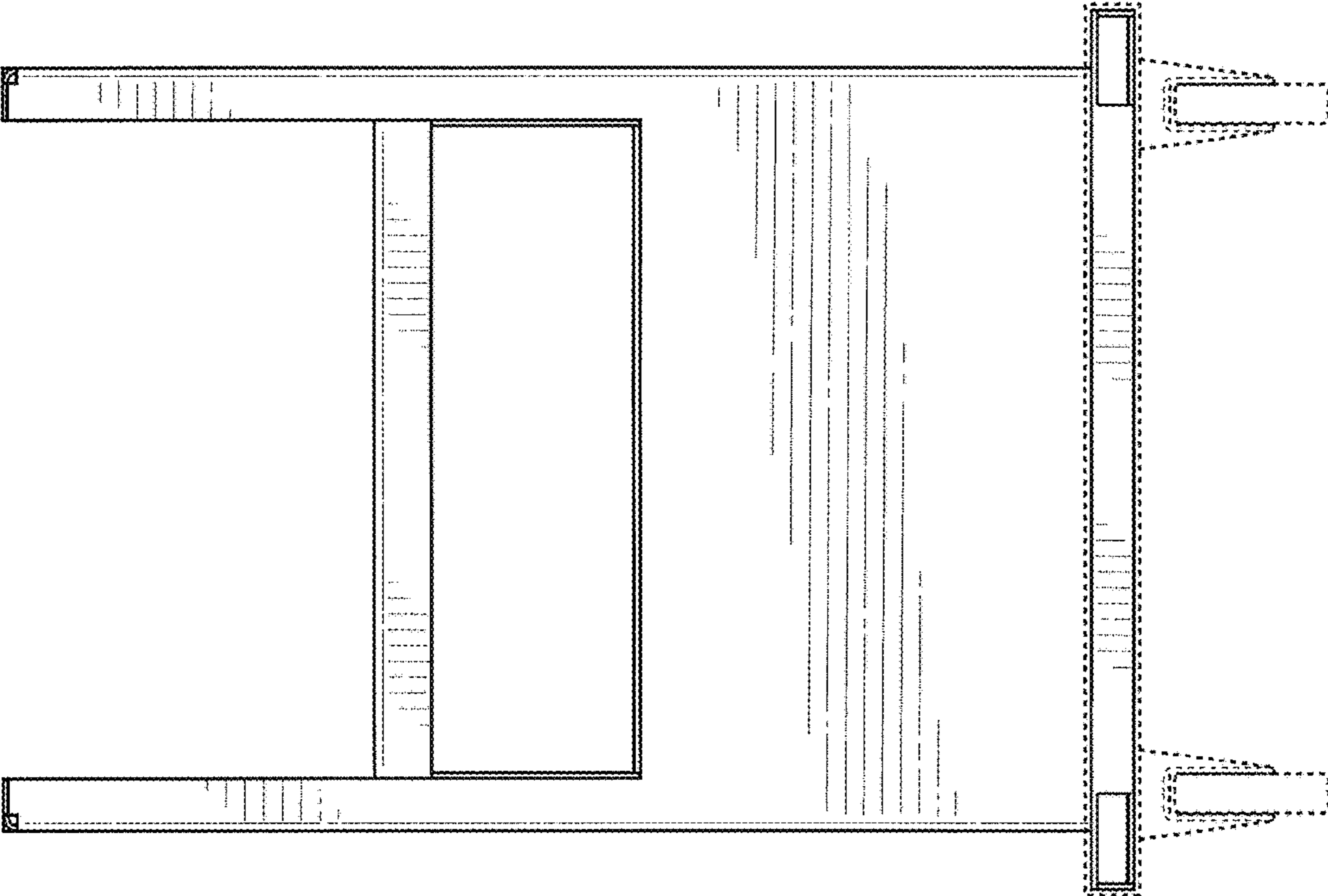
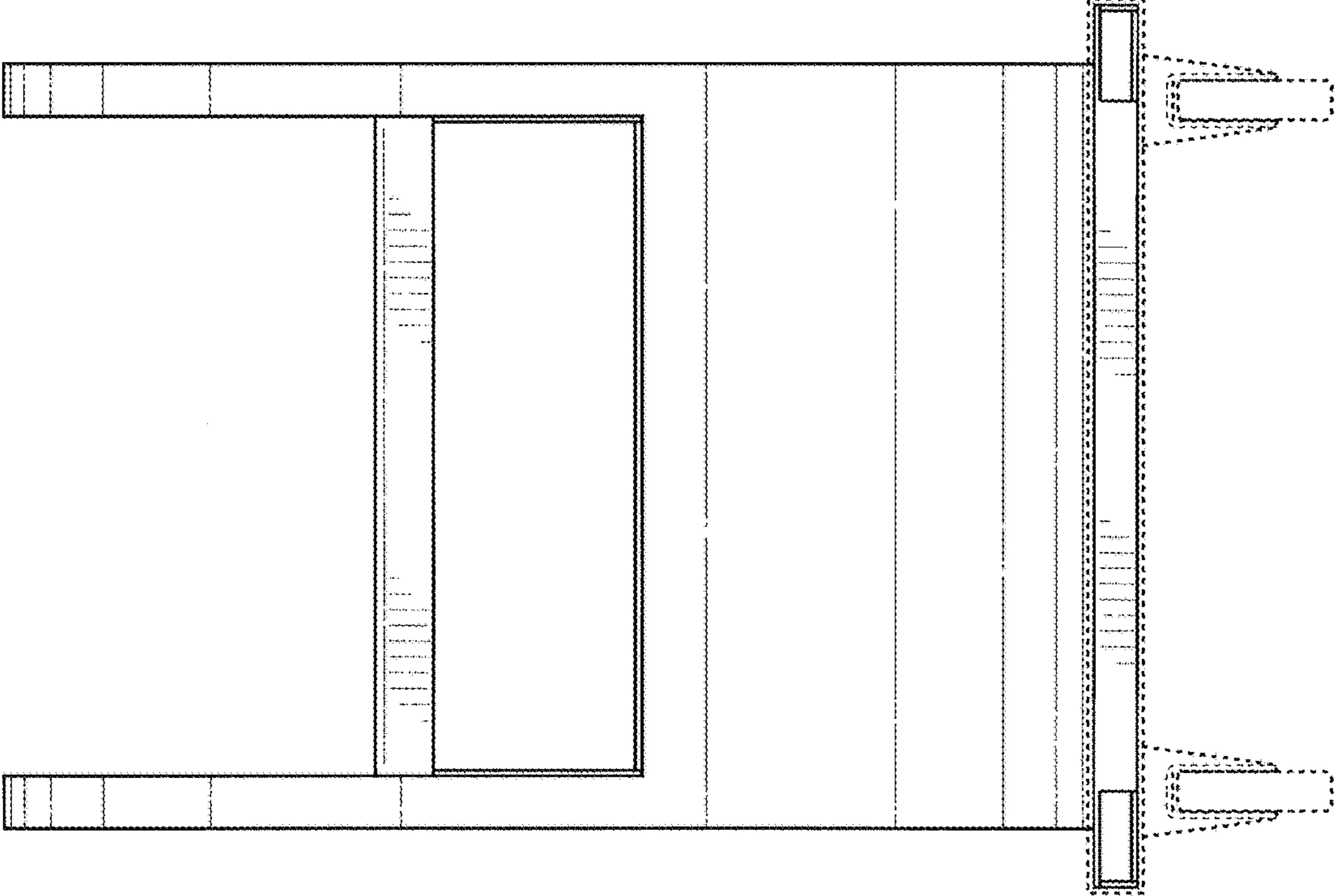


FIG. 6

FIG. 7





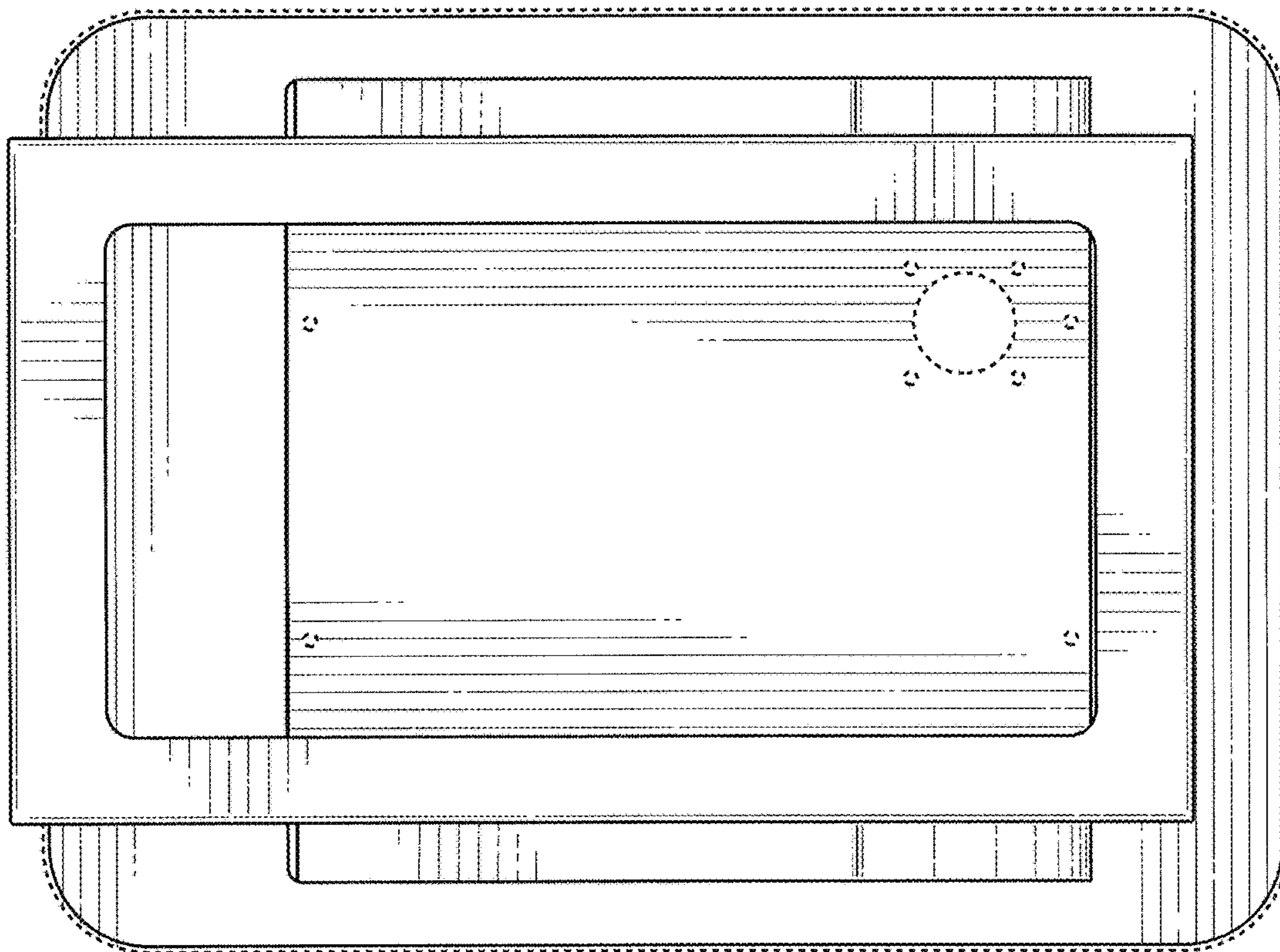


FIG 8

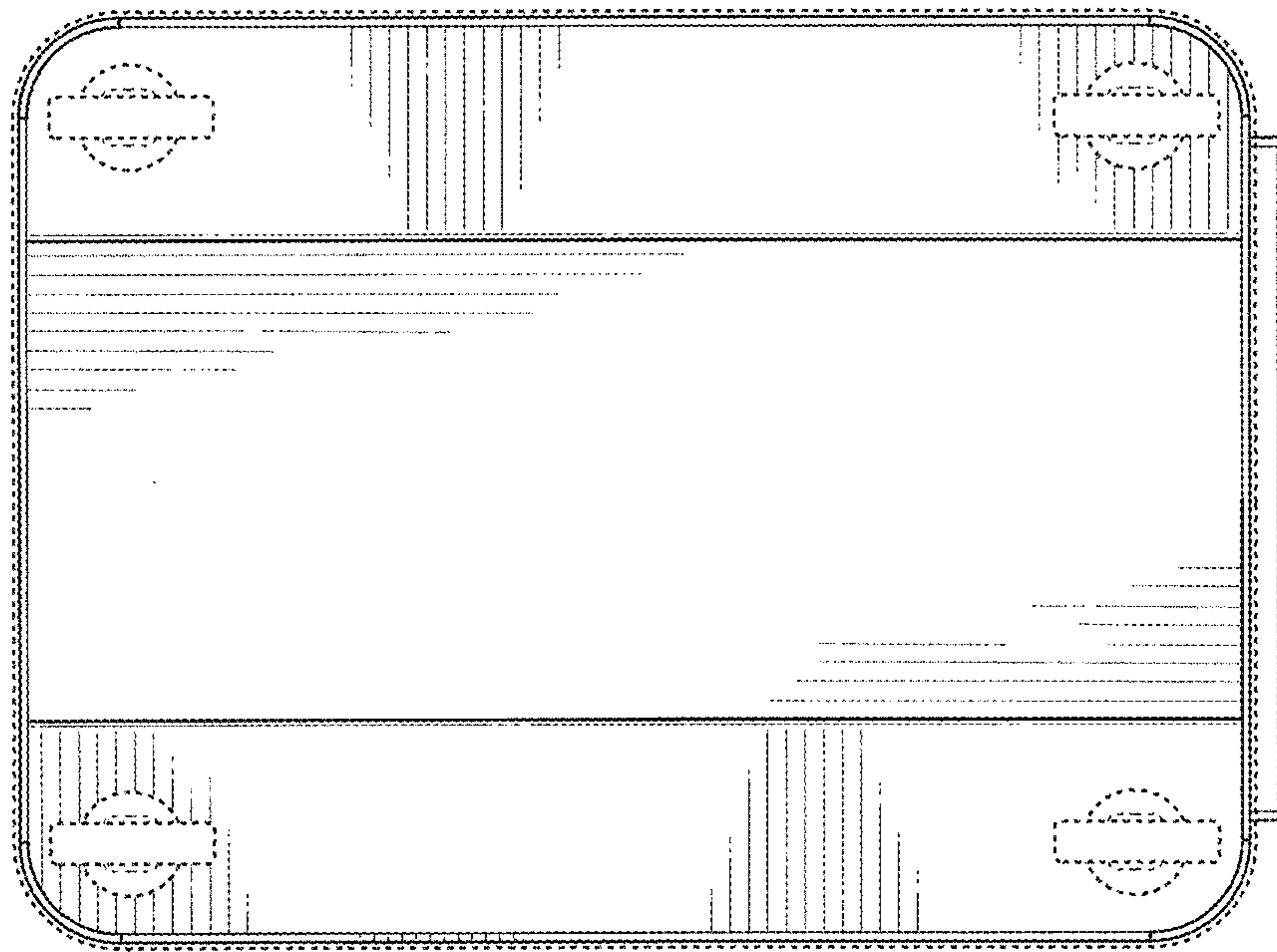


FIG. 9