



US00D803406S

(12) **United States Design Patent** (10) **Patent No.:** **US D803,406 S**
Martin (45) **Date of Patent:** **** Nov. 21, 2017**

(54) **LOOP CRIB**
(71) Applicant: **James Martin**, Milford Square, PA (US)
(72) Inventor: **James Martin**, Milford Square, PA (US)
(**) Term: **15 Years**
(21) Appl. No.: **29/532,403**
(22) Filed: **Jul. 7, 2015**
(51) **LOC (10) Cl.** **24-02**
(52) **U.S. Cl.**
USPC **D24/180**
(58) **Field of Classification Search**
USPC D24/176, 180-182
CPC A61C 7/00; A61C 7/08; A61C 7/10; A61C 7/12; A61C 7/18; A61C 7/20; A61C 3/00; A61C 13/267
See application file for complete search history.

6,017,216 A 1/2000 DeLeo
6,033,216 A * 3/2000 Souris A61C 7/10 433/18
6,059,568 A 5/2000 Munro et al.
6,905,334 B2 * 6/2005 Graham A61C 7/00 433/18
6,932,598 B1 8/2005 Anderson
7,963,766 B2 6/2011 Cronauer
8,272,866 B2 9/2012 Chun et al.
8,292,617 B2 10/2012 Brandt et al.
8,313,327 B1 11/2012 Won
8,562,337 B2 10/2013 Kuo et al.
8,758,009 B2 6/2014 Chen et al.
8,827,696 B1 9/2014 Sandwick
2005/0019720 A1 1/2005 Harima
2010/0138025 A1 6/2010 Morton et al.

* cited by examiner

Primary Examiner — Wan Laymon
(74) *Attorney, Agent, or Firm* — Cheryl R. Figlin

(57) **CLAIM**

The ornamental design for a loop crib, as shown and described.

(56) **References Cited**

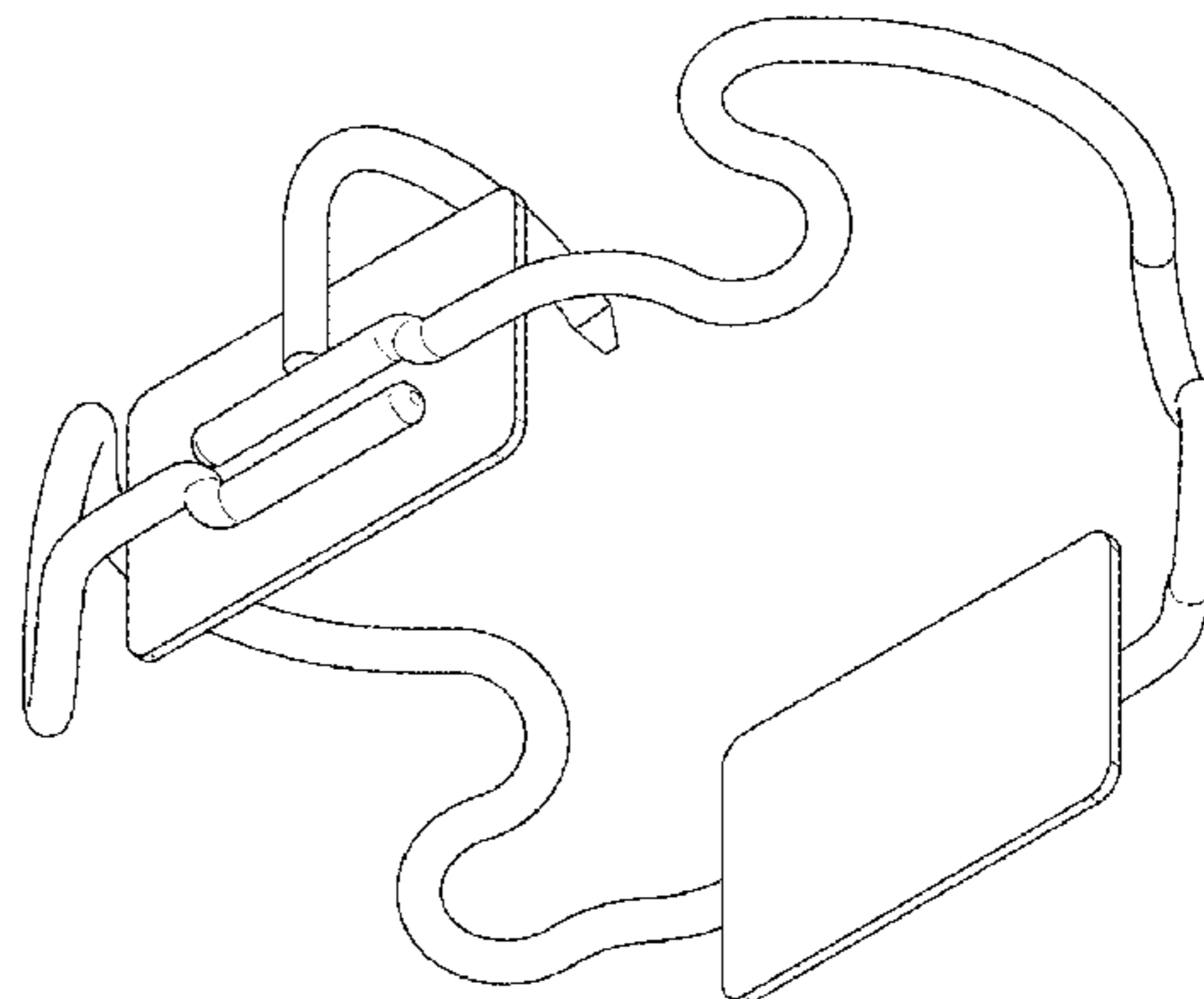
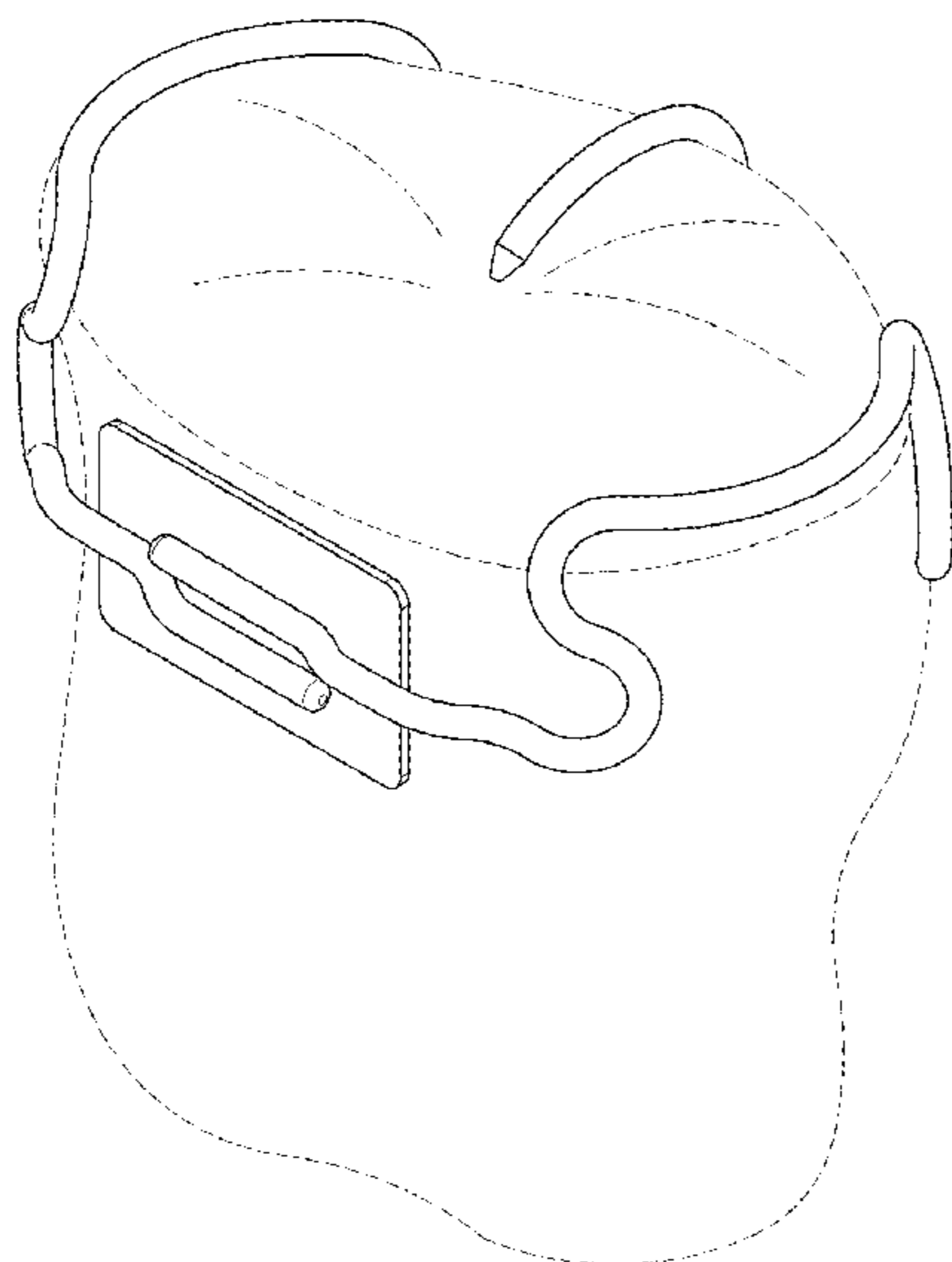
U.S. PATENT DOCUMENTS

3,087,244 A 4/1963 Huettner et al.
3,990,151 A 11/1976 Kesling
3,994,068 A 11/1976 Goshgarian
4,037,324 A * 7/1977 Andreasen A61C 7/12 433/24
4,373,913 A * 2/1983 McAndrew A61C 7/00 433/21
4,725,230 A 2/1988 Harima
4,840,562 A 6/1989 Wilson et al.
D308,095 S * 5/1990 Collins, Jr. D24/180
4,976,614 A 12/1990 Tepper
5,257,439 A 11/1993 LeBlanc
D342,318 S * 12/1993 Moffat D24/180
5,338,191 A 8/1994 Hamula
5,376,001 A * 12/1994 Tepper A61C 7/00 433/6
5,697,783 A 12/1997 Wilson et al.

DESCRIPTION

FIG. 1 shows a perspective view of the loop crib positioned on a tooth.
FIG. 2 shows a top perspective view of the loop crib.
FIG. 3 shows a bottom perspective view of the loop crib.
FIG. 4 shows a top plain view of the loop crib.
FIG. 5 shows a bottom plain view of the loop crib.
FIG. 6 shows a back plain view of the loop crib.
FIG. 7 shows a front plain view of the loop crib.
FIG. 8 shows one side plain view of the loop crib; and, FIG. 9 shows a second side plain view of the loop crib.
The features of the tooth in FIG. 1 is descriptive and form no part of the claimed design.

1 Claim, 9 Drawing Sheets



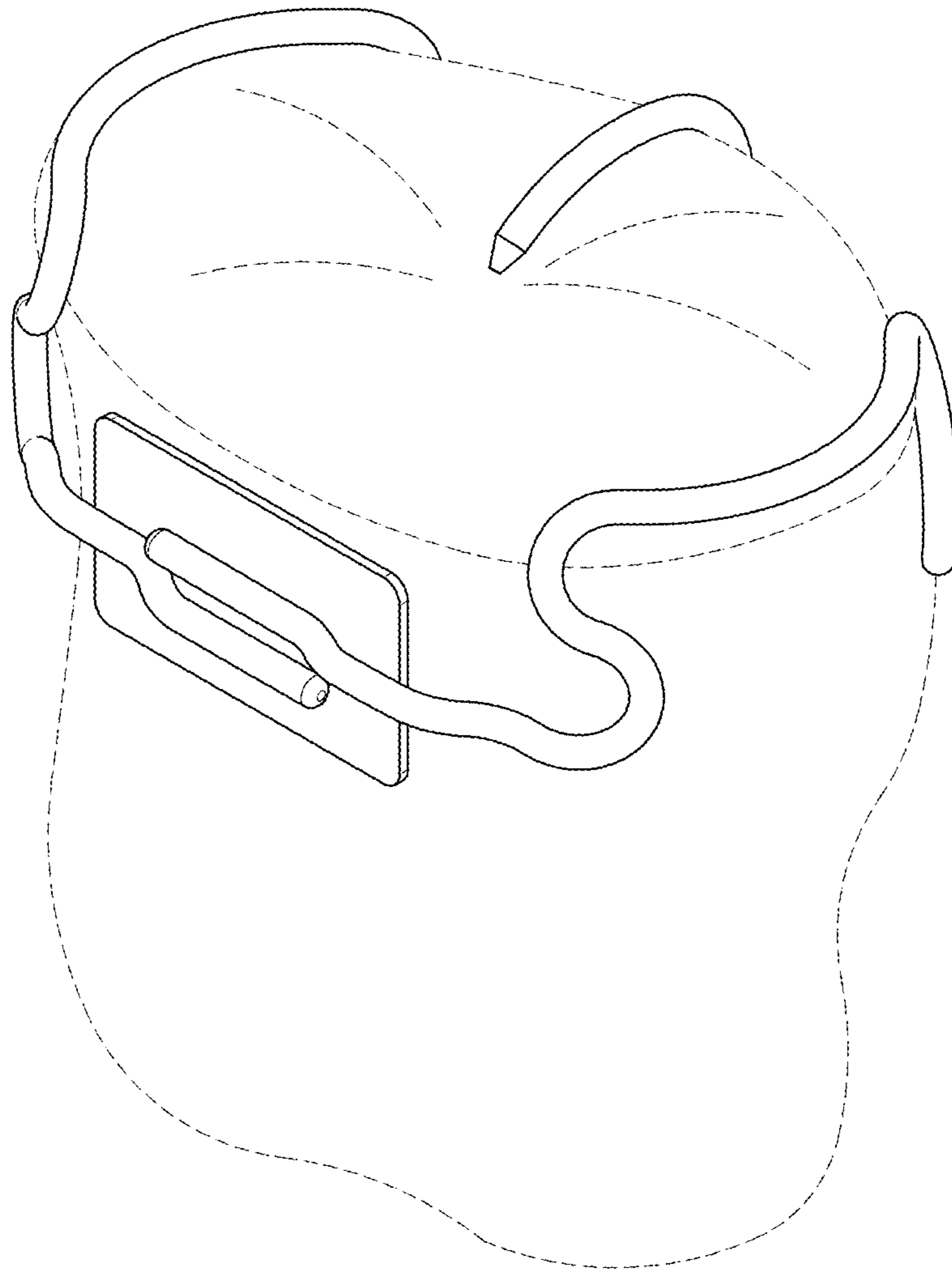


FIG. 1

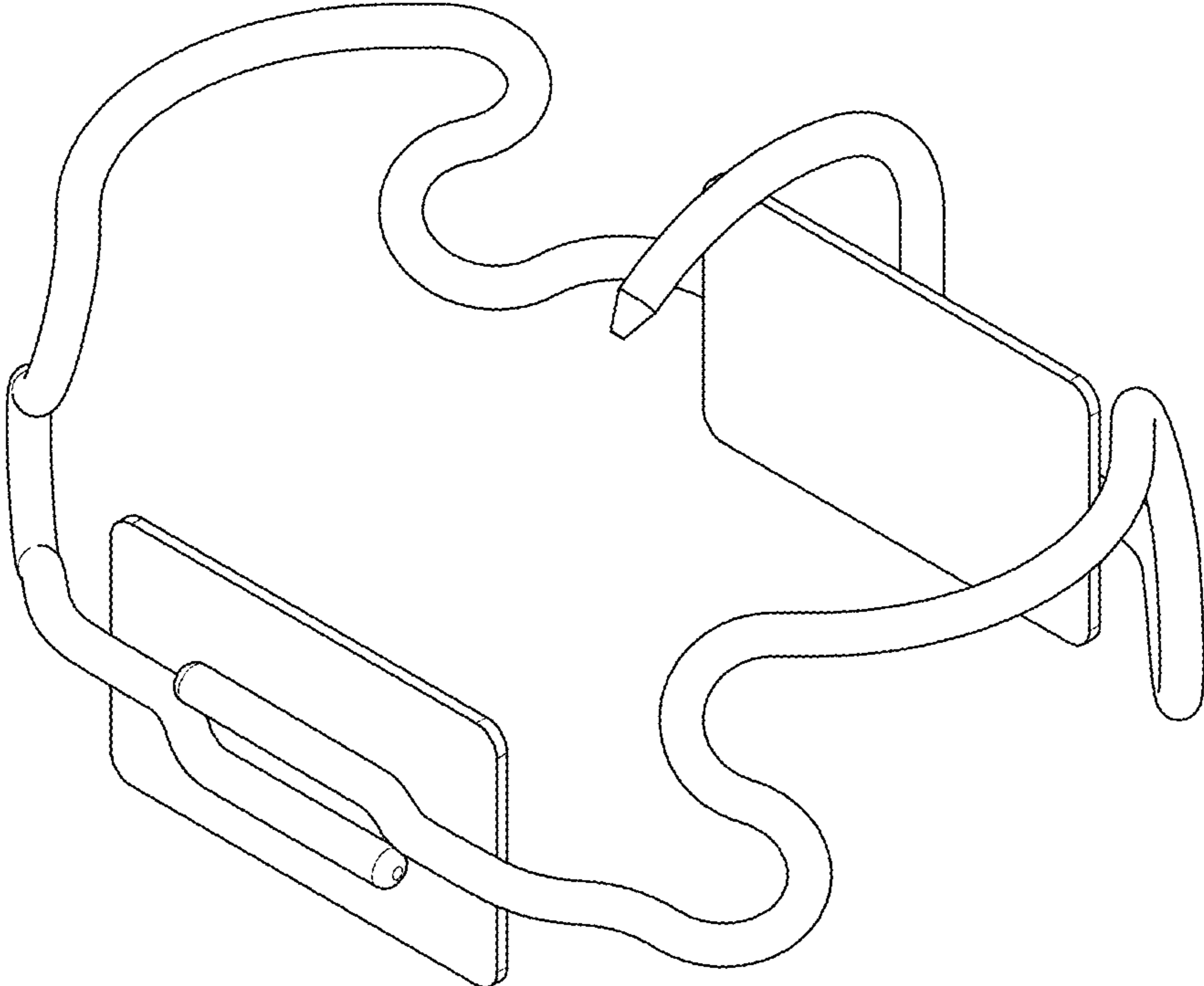


FIG. 2

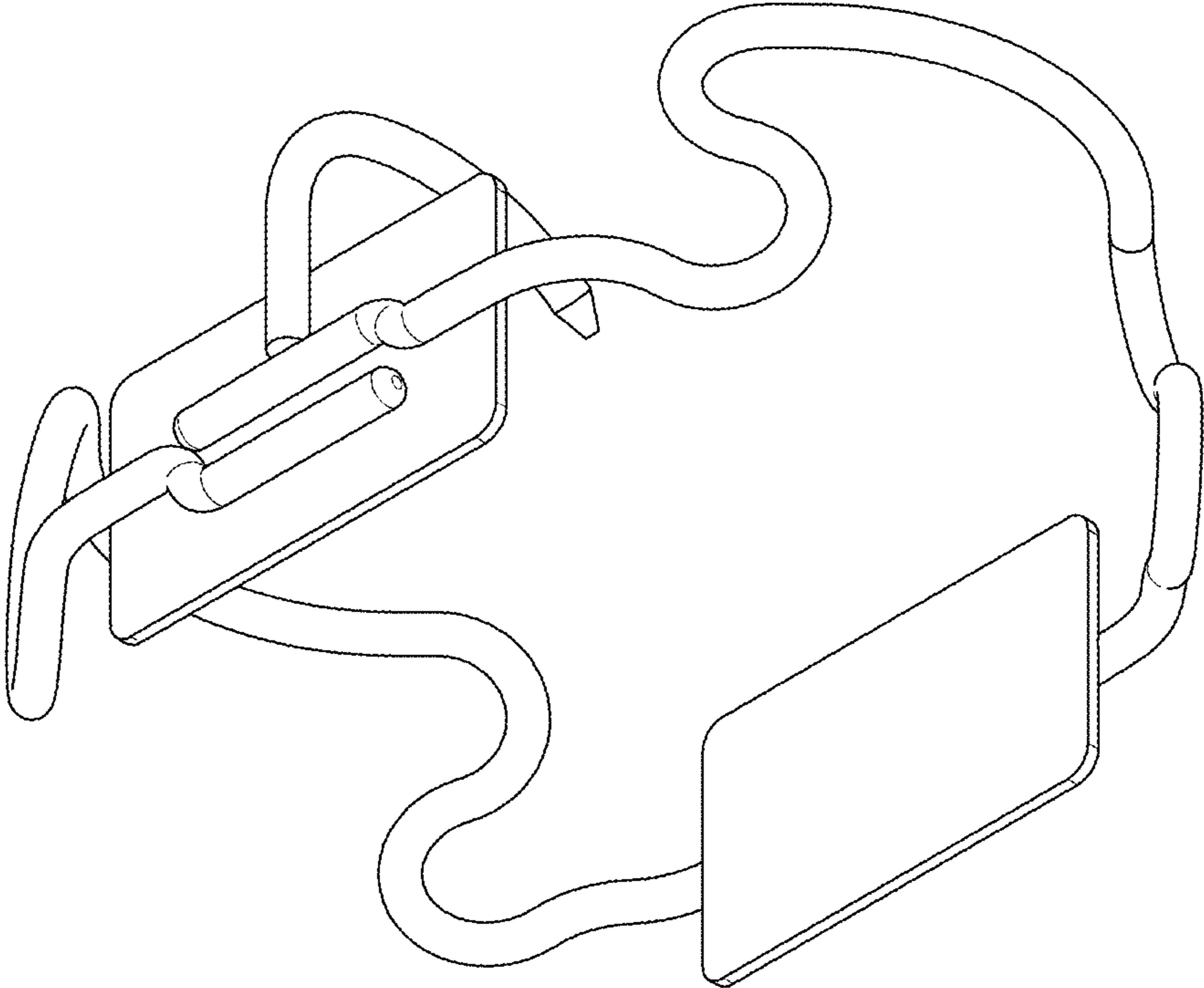


FIG. 3

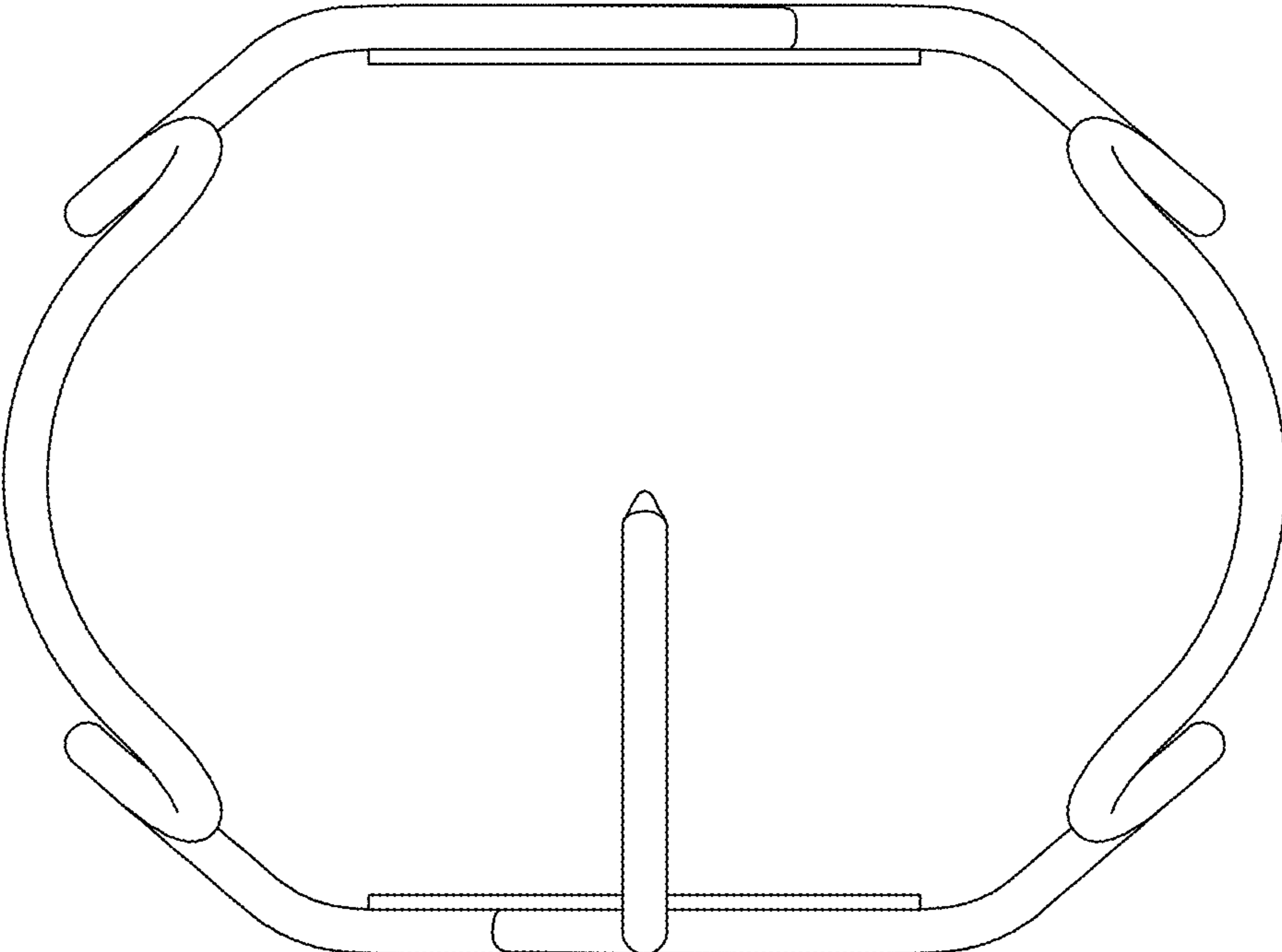


FIG. 4

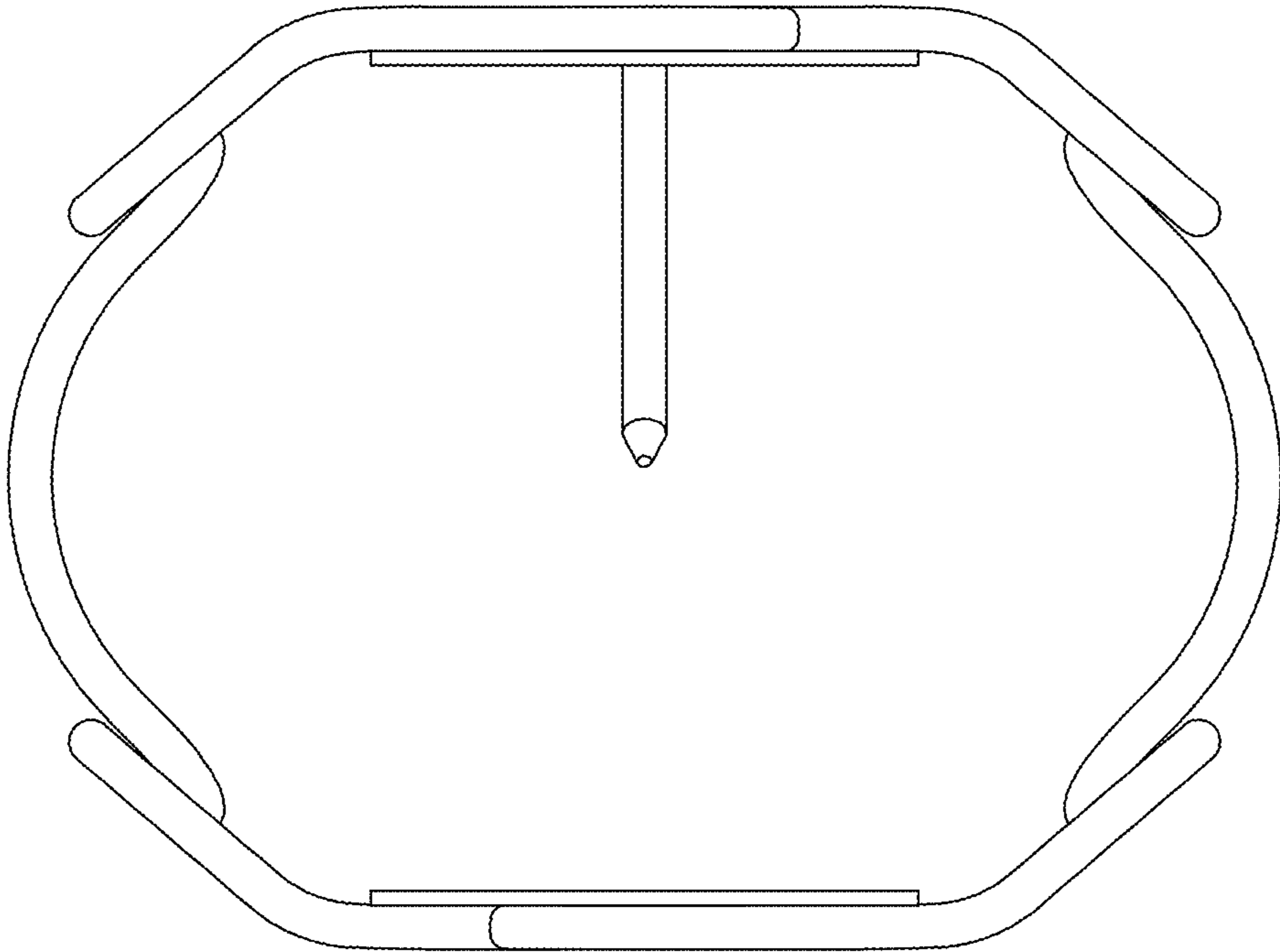


FIG. 5

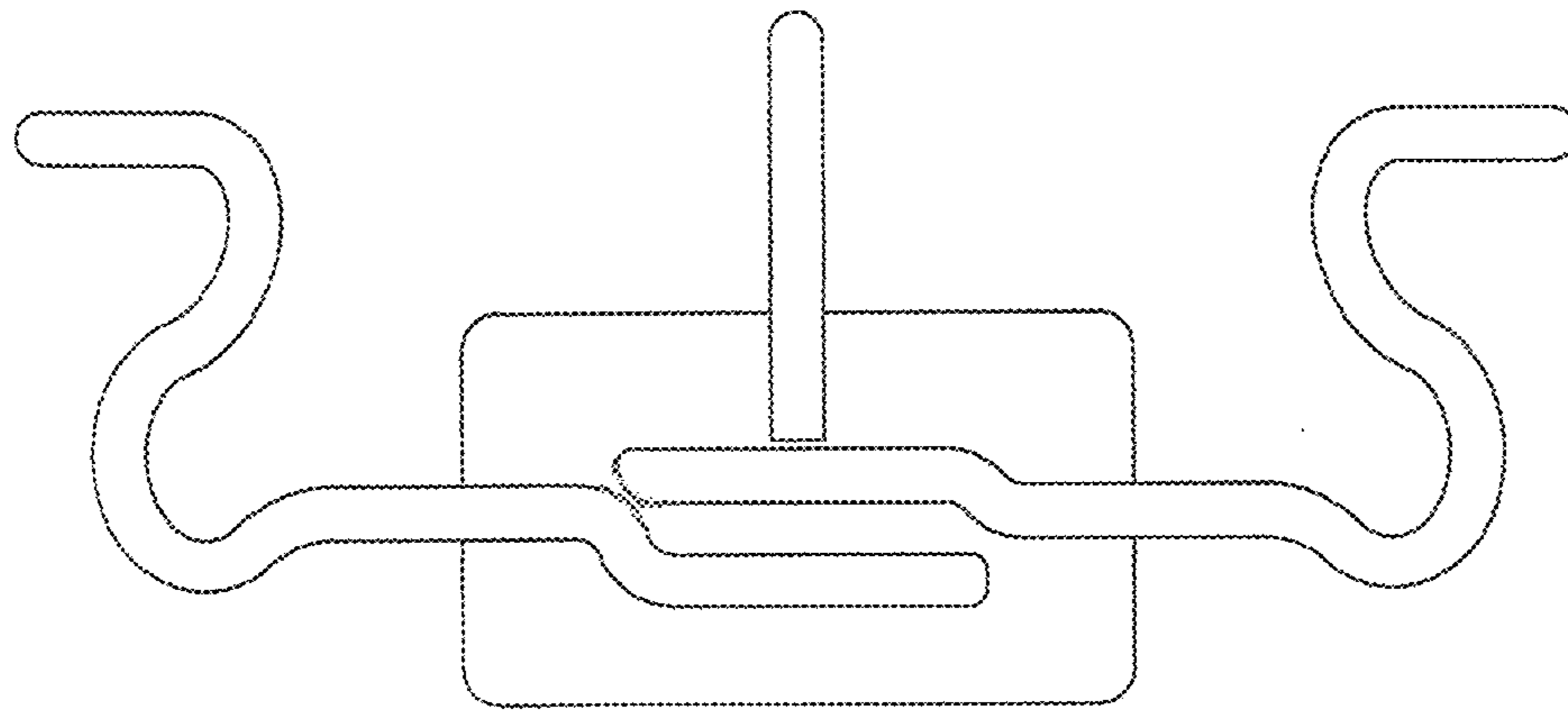


FIG. 6

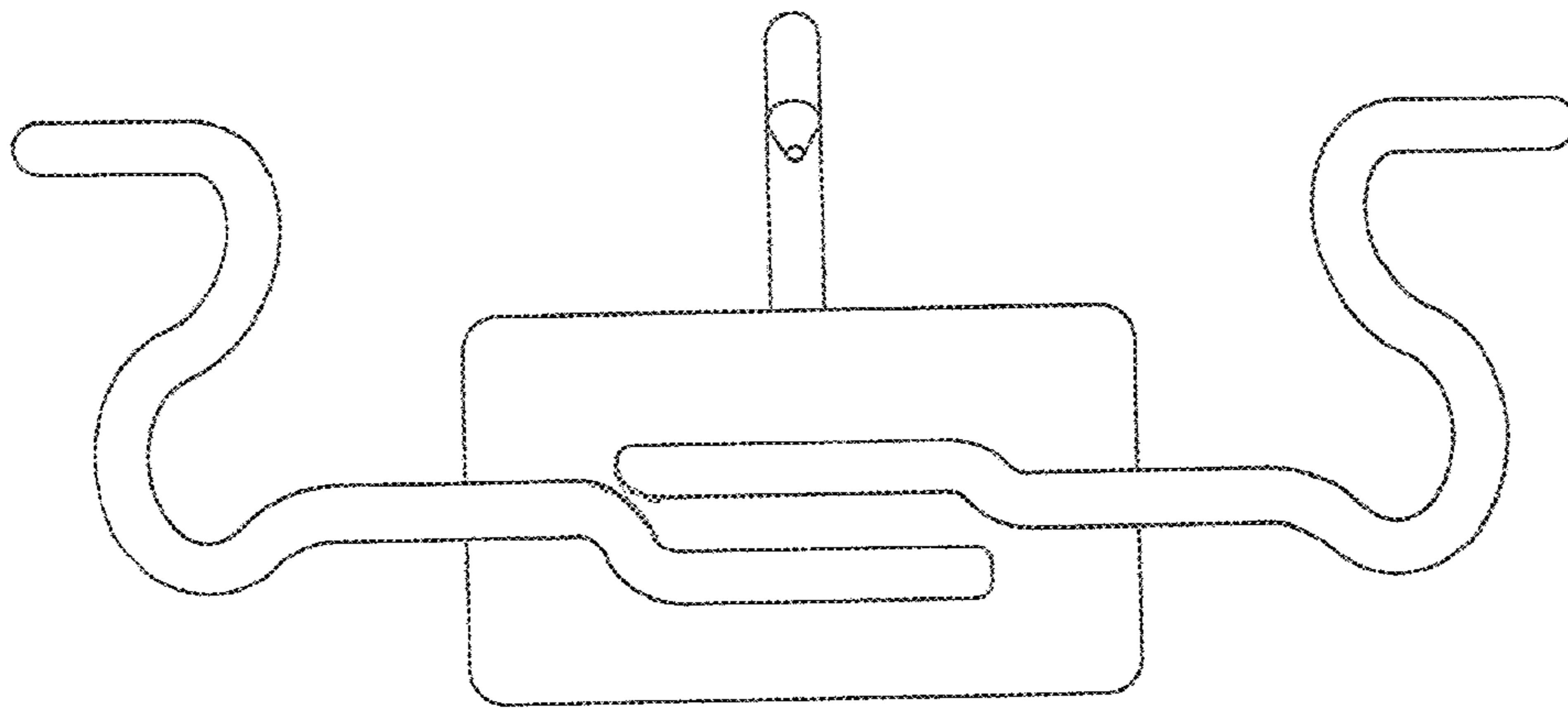


FIG. 7

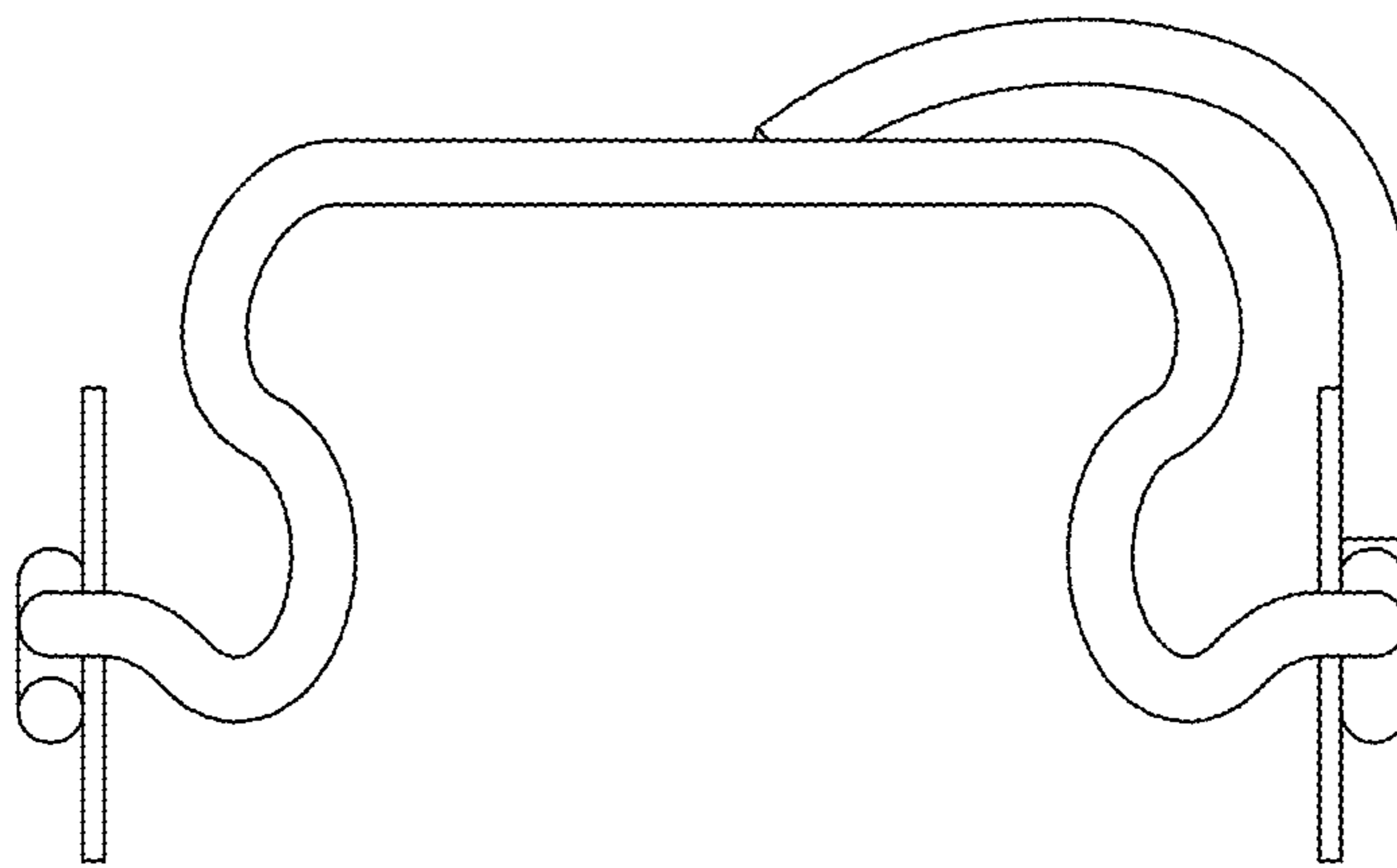


FIG. 8

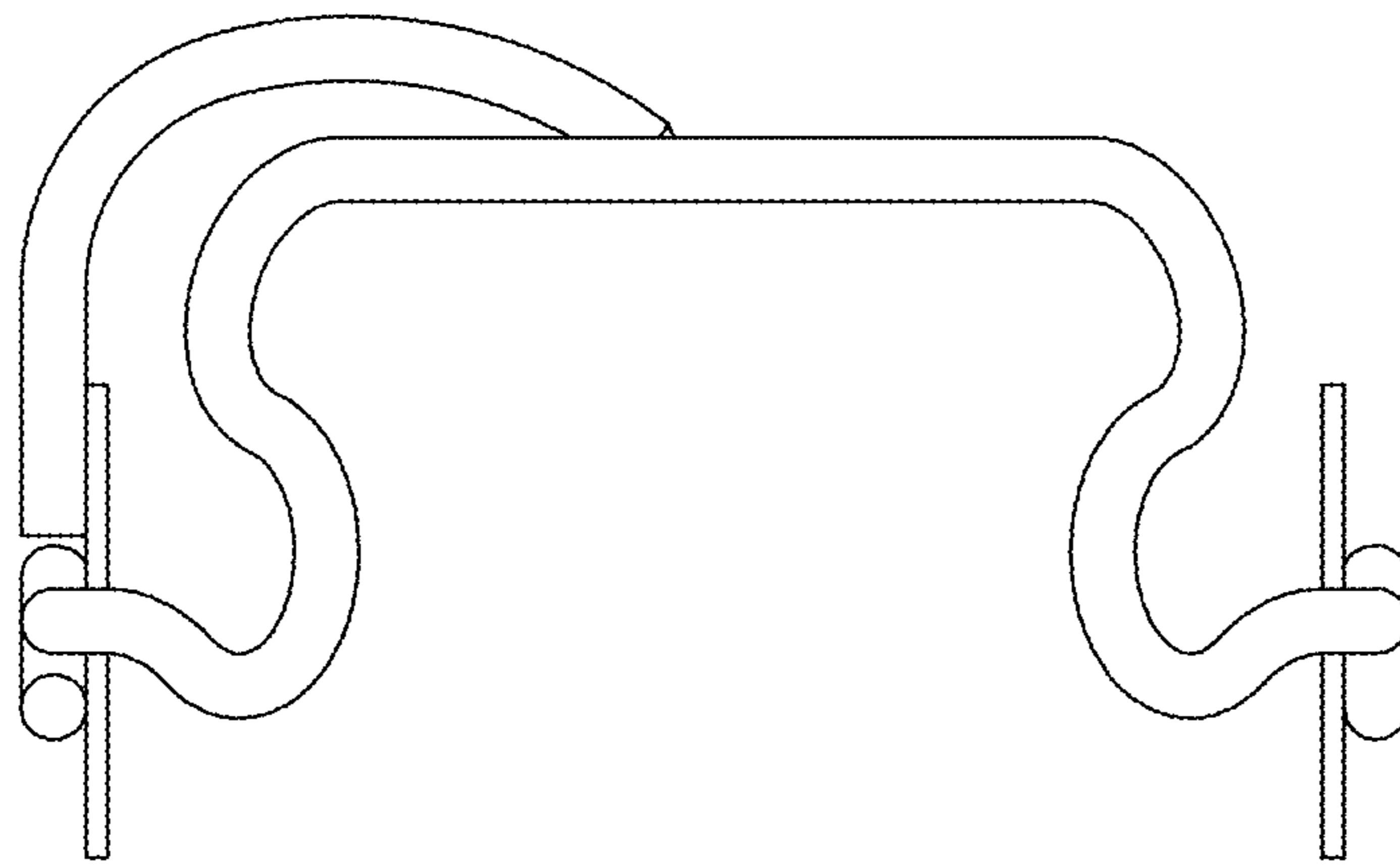


FIG. 9