



US00D803405S

(12) **United States Design Patent**
Longley

(10) **Patent No.:** **US D803,405 S**

(45) **Date of Patent:** **** Nov. 21, 2017**

(54) **WRAPAROUND CLASP FOR EMBRACING
MAXILLARY TEETH FOR USE IN
REDUCING FOOD INTAKE**

4,727,867 A 3/1988 Knoderer
4,738,259 A * 4/1988 Brown A61F 5/0006
128/859

4,825,881 A 5/1989 Bessler
4,883,072 A 11/1989 Bessler
5,052,410 A 10/1991 Stubbs
5,779,470 A * 7/1998 Kussick A61F 5/566
128/860

(71) Applicant: **William H. Longley**, Atlanta, GA (US)

(72) Inventor: **William H. Longley**, Atlanta, GA (US)

(73) Assignee: **Scientific Intake Limited Company**,
Atlanta, GA (US)

5,924,422 A 7/1999 Gustafson
2005/0287495 A1 12/2005 Longley
2012/0037168 A1 * 2/2012 Jackson A61F 5/0006
128/861
2012/0109051 A1 * 5/2012 Harrell A61F 5/0006
604/77

(**) Term: **15 Years**

(21) Appl. No.: **29/620,126**

* cited by examiner

(22) Filed: **Jul. 12, 2016**

Primary Examiner — Wan Laymon

(51) **LOC (10) Cl.** **24-99**

(74) *Attorney, Agent, or Firm* — Paul M. Denk

(52) **U.S. Cl.**
USPC **D24/176; D24/180**

(58) **Field of Classification Search**
USPC D24/176-182, 152, 156
CPC A61F 5/0006; A61F 5/0003; A61F 5/00;
A61F 5/566; A61F 5/56; A61C 7/00
See application file for complete search history.

(57) **CLAIM**

The ornamental design for the wraparound clasp for embracing maxillary teeth for use in reducing food intake, as shown and described.

DESCRIPTION

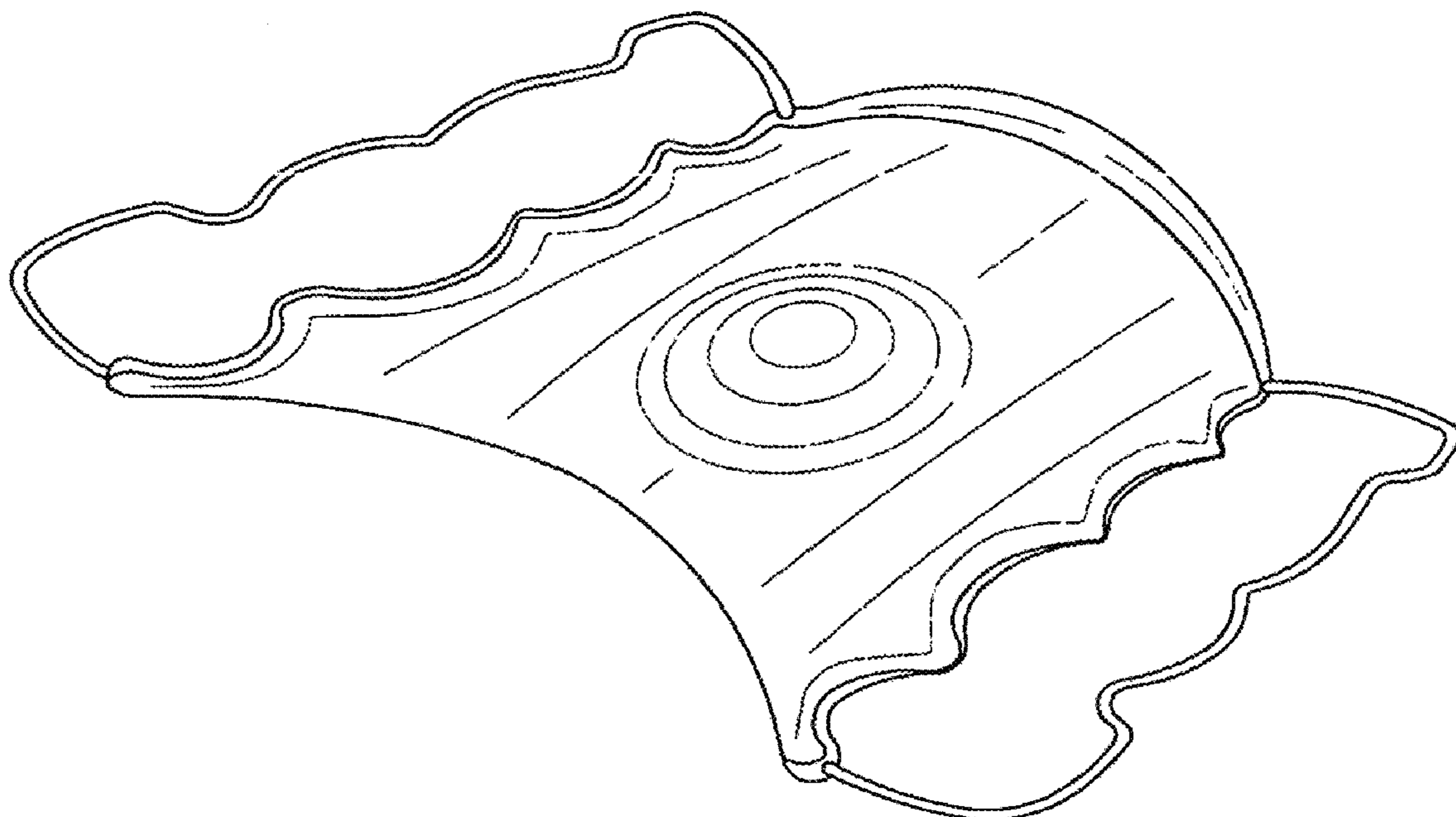
FIG. 1 is a perspective view of the wraparound clasp for embracing maxillary teeth for use in reducing food intake of this invention;
FIG. 2 is a top view thereof;
FIG. 3 is a bottom view thereof;
FIG. 4 is a back view thereof;
FIG. 5 is a front view thereof;
FIG. 6 is a right side view thereof; and,
FIG. 7 is a left side view.

(56) **References Cited**

U.S. PATENT DOCUMENTS

3,224,442 A 12/1965 Stubbs
3,259,129 A * 7/1966 Tepper A61C 7/00
433/6
3,277,892 A * 10/1966 Tepper A61F 5/00
128/860
4,471,771 A 9/1984 Brown et al.
4,553,549 A * 11/1985 Pope A61C 7/00
433/140

1 Claim, 2 Drawing Sheets



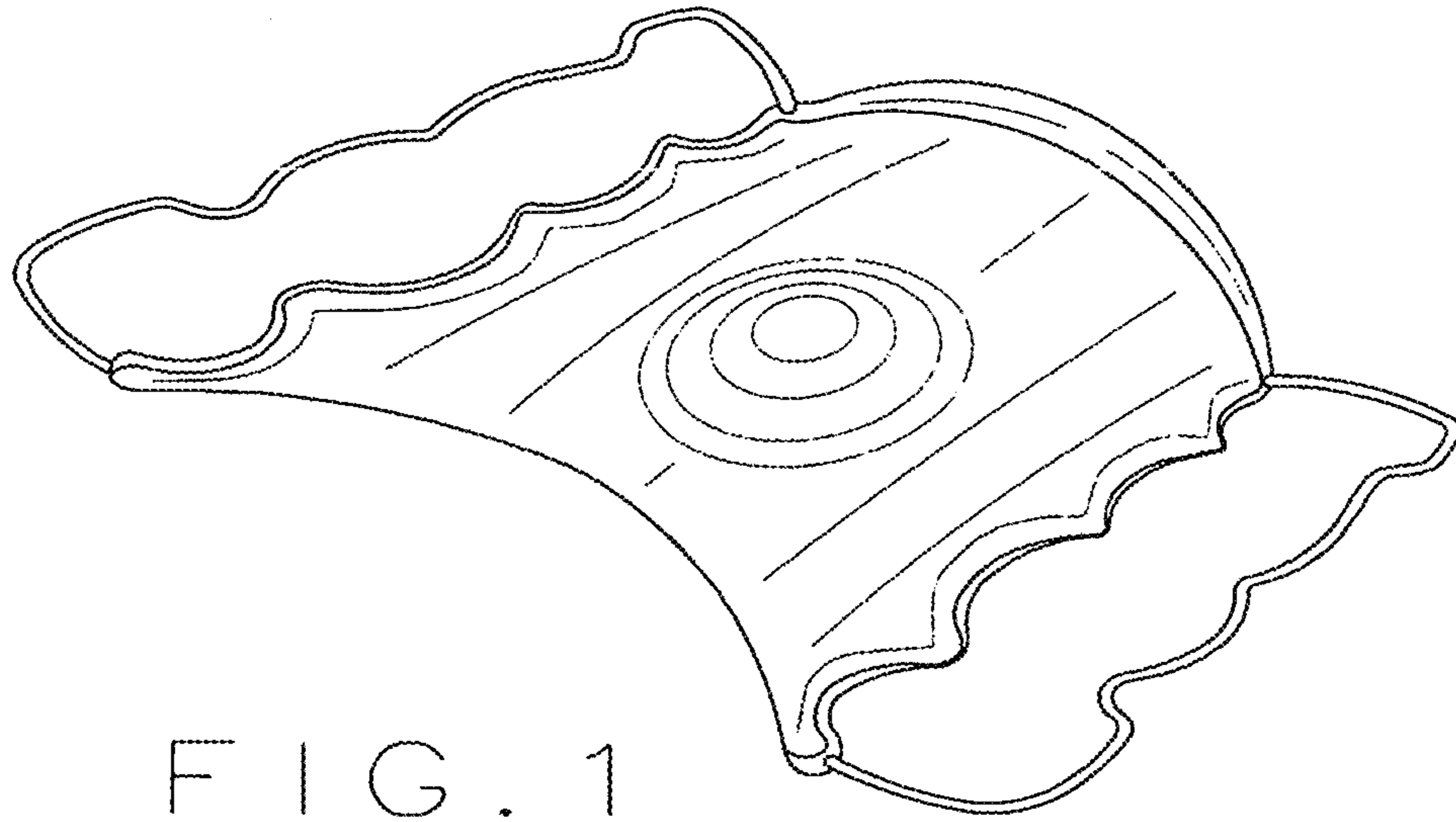


FIG. 1

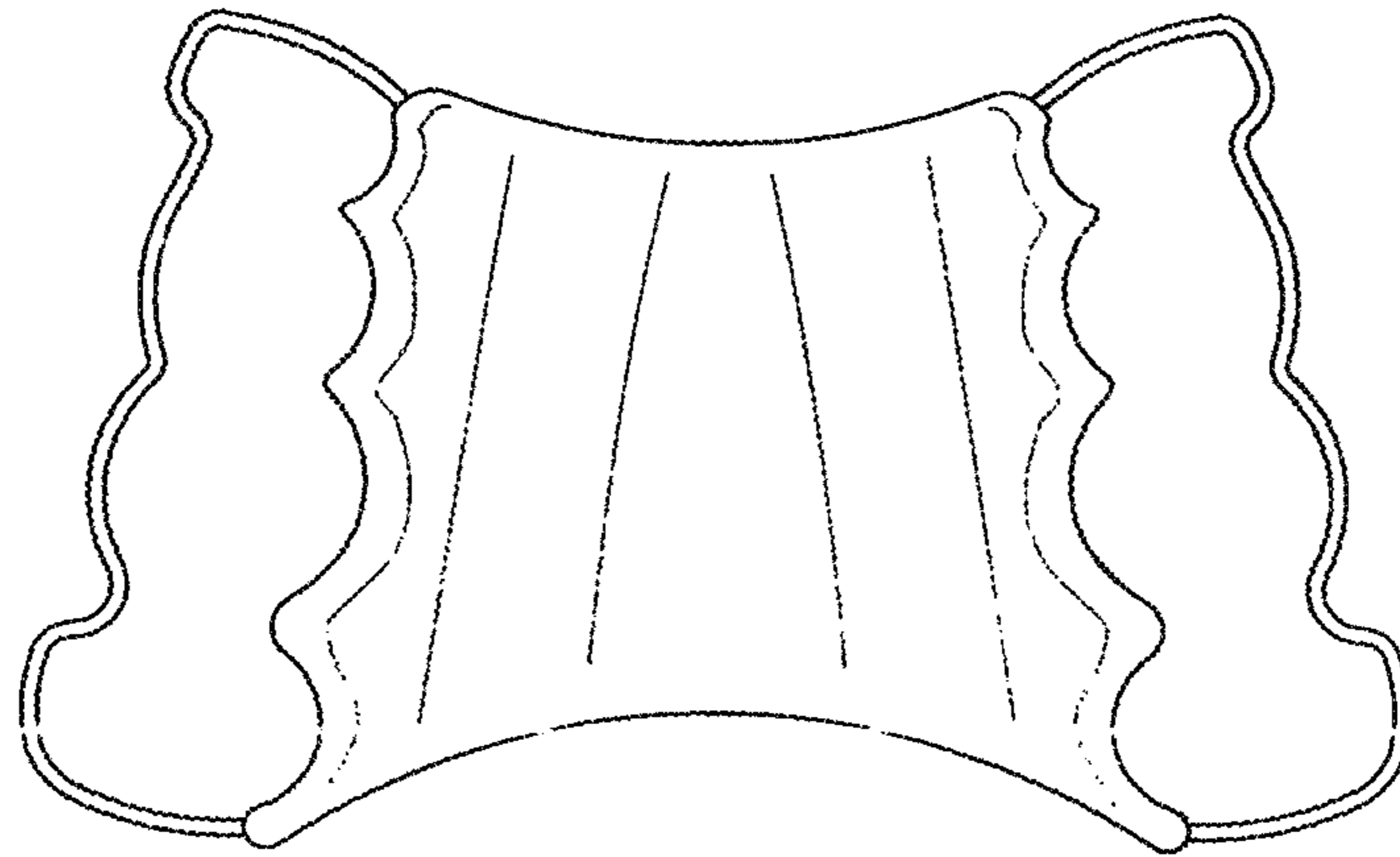


FIG. 2

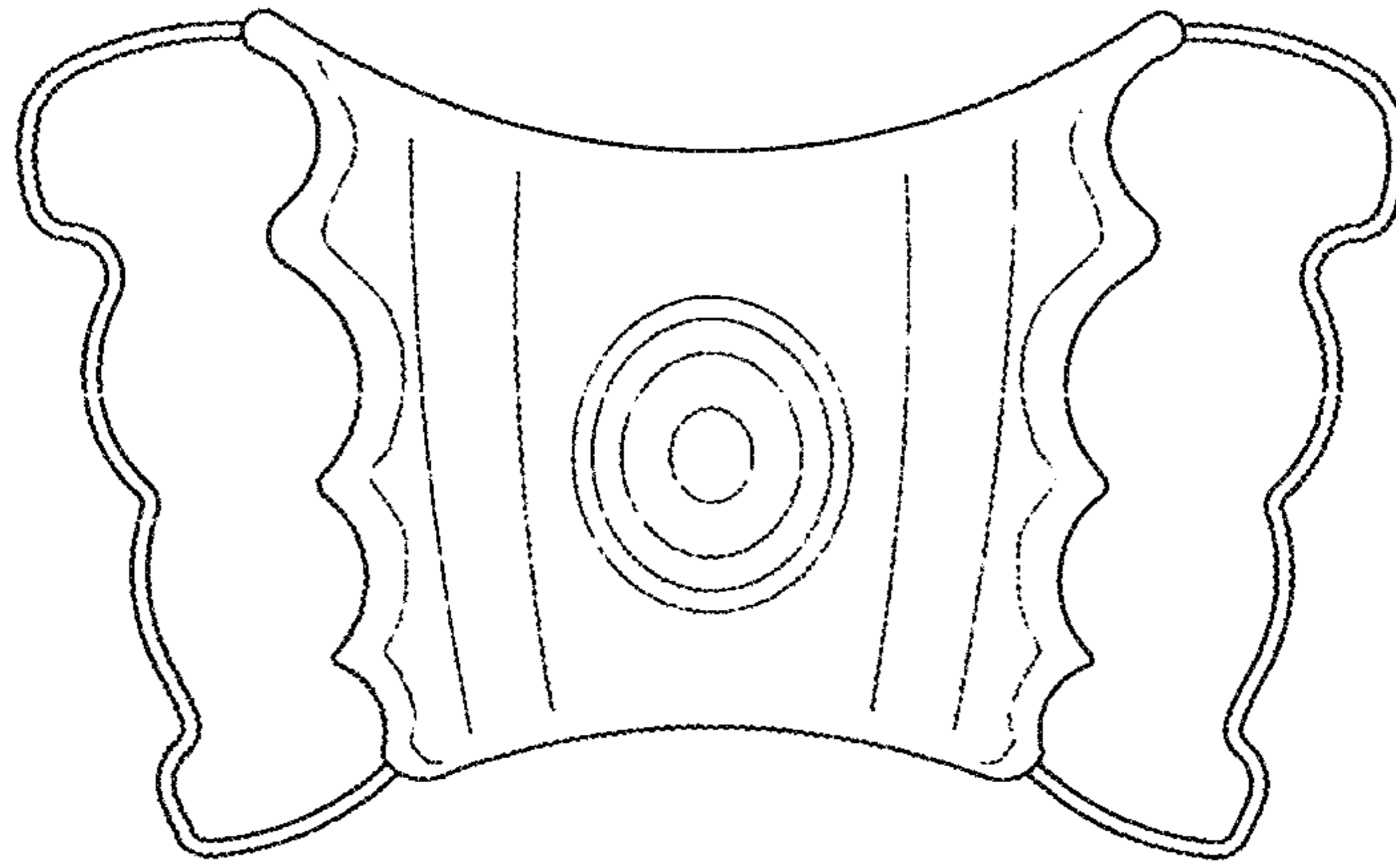


FIG. 3



FIG. 4



FIG. 5

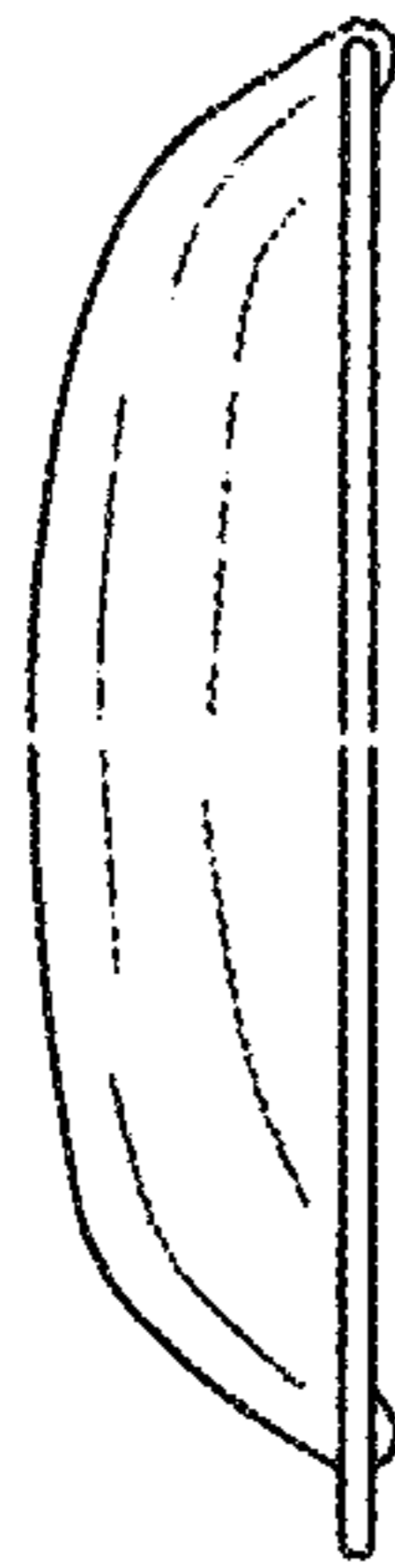


FIG. 6

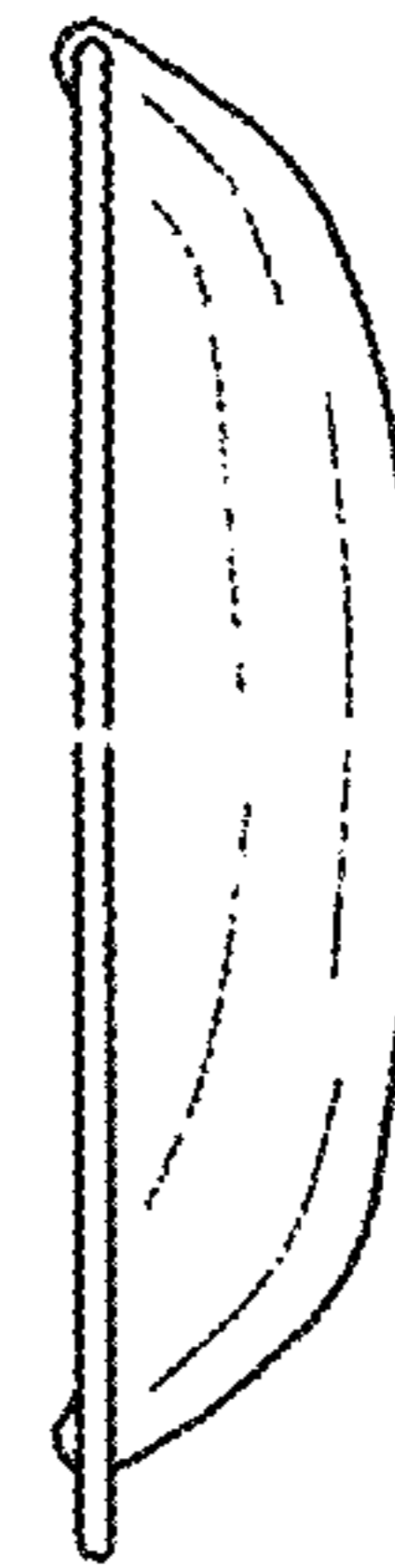


FIG. 7