



US00D803398S

(12) **United States Design Patent** (10) **Patent No.:** **US D803,398 S**  
**Israni et al.** (45) **Date of Patent:** **\*\* Nov. 21, 2017**

(54) **SKIN REMOVAL APPARATUS**

(71) Applicants: **Devon Israni**, Boonton, NJ (US);  
**Joseph Piscal**, Wayne, NJ (US)  
(72) Inventors: **Devon Israni**, Boonton, NJ (US);  
**Joseph Piscal**, Wayne, NJ (US)  
(\*\*) Term: **15 Years**  
(21) Appl. No.: **29/566,195**  
(22) Filed: **May 27, 2016**  
(51) **LOC (10) Cl.** ..... **24-02**  
(52) **U.S. Cl.**  
USPC ..... **D24/146**  
(58) **Field of Classification Search**  
USPC ..... D24/146, 147, 127, 130, 133; D8/300,  
D8/310, 311, 40, 90  
CPC ..... A61B 2017/320004; A61B 17/320725;  
A61B 2017/320008  
See application file for complete search history.

(56) **References Cited**

**U.S. PATENT DOCUMENTS**

D490,894 S *	6/2004	Bogazzi	.....	D24/133
D490,895 S *	6/2004	Bogazzi	.....	D24/133
D490,896 S *	6/2004	Bogazzi	.....	D24/133
D596,353 S *	7/2009	Yang	.....	D24/147
D638,935 S *	5/2011	Gilmore, III	.....	D24/133
D723,160 S *	2/2015	Rodan	.....	D24/146
D737,441 S *	8/2015	Presser	.....	D24/146
D742,005 S *	10/2015	Komuda	.....	D24/146
D775,729 S *	1/2017	Mujwid	.....	D24/146
2009/0071491 A1 *	3/2009	Yang	.....	A61B 17/54 132/200
2011/0270274 A1 *	11/2011	Hull, Jr.	.....	A45D 34/04 606/131
2015/0150353 A1 *	6/2015	Yiu	.....	A45D 29/05 132/75.6
2015/0297261 A1 *	10/2015	Comstock	.....	A61B 17/54 132/76.5

**OTHER PUBLICATIONS**

PedEgg Power, webpage from <https://www.amazon.com/PedEgg-Power-by-Bulb-Head/dp/B015RQMI38>. Retrieved on Aug. 31, 2016.  
Arnope Pedi Perfect Foot File, webpage from [https://www.amazon.com/Amop%C3%A9-Pedi-Perfect-Foot-File/dp/B00LE99PA2/ref=pd\\_lpo\\_121\\_bs\\_t\\_1?ie=UTF8&refRID=PCCHST6MW795CP7HER5Y](https://www.amazon.com/Amop%C3%A9-Pedi-Perfect-Foot-File/dp/B00LE99PA2/ref=pd_lpo_121_bs_t_1?ie=UTF8&refRID=PCCHST6MW795CP7HER5Y). Retrieved on Aug. 31, 2016.  
Emjoi Micro-Pedi Power, webpage from [https://www.amazon.com/Emjoi-Micro-Pedi-POWER-Remover-Powerful/dp/B00FB3DHTC/ref=sr\\_1\\_1\\_s\\_it?s=hpc&ie=UTF8&qid=1472653495&sr=1-1&keywords=emjoi+callus+remover](https://www.amazon.com/Emjoi-Micro-Pedi-POWER-Remover-Powerful/dp/B00FB3DHTC/ref=sr_1_1_s_it?s=hpc&ie=UTF8&qid=1472653495&sr=1-1&keywords=emjoi+callus+remover). Retrieved on Aug. 31, 2016.

\* cited by examiner

*Primary Examiner* — Garth Rademaker  
*Assistant Examiner* — Samantha Q Lawrence  
(74) *Attorney, Agent, or Firm* — Gearhart Law LLC

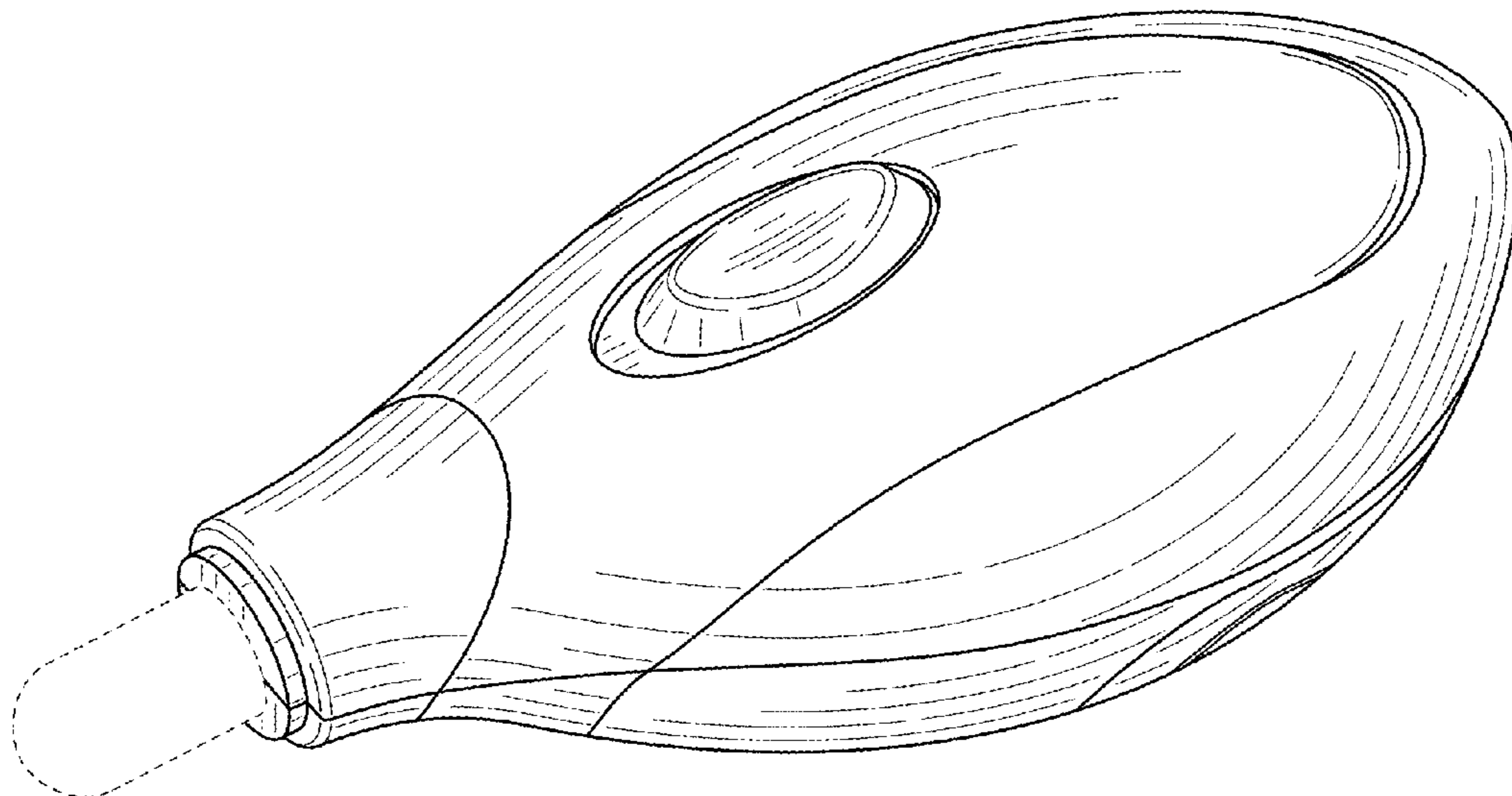
(57) **CLAIM**

The ornamental design for a skin removal apparatus, as shown and described.

**DESCRIPTION**

FIG. 1 is a perspective view of a skin removal apparatus. FIG. 2 is a front view thereof. FIG. 3 is a back view thereof. FIG. 4 is a left side view thereof. FIG. 5 is a right side view thereof. FIG. 6 is a top view thereof; and, FIG. 7 is a bottom view thereof. The broken lines shown in FIGS. 1-2 and FIGS. 4-7 illustrate portions of the skin removal apparatus that form no part of the claimed design.

**1 Claim, 4 Drawing Sheets**



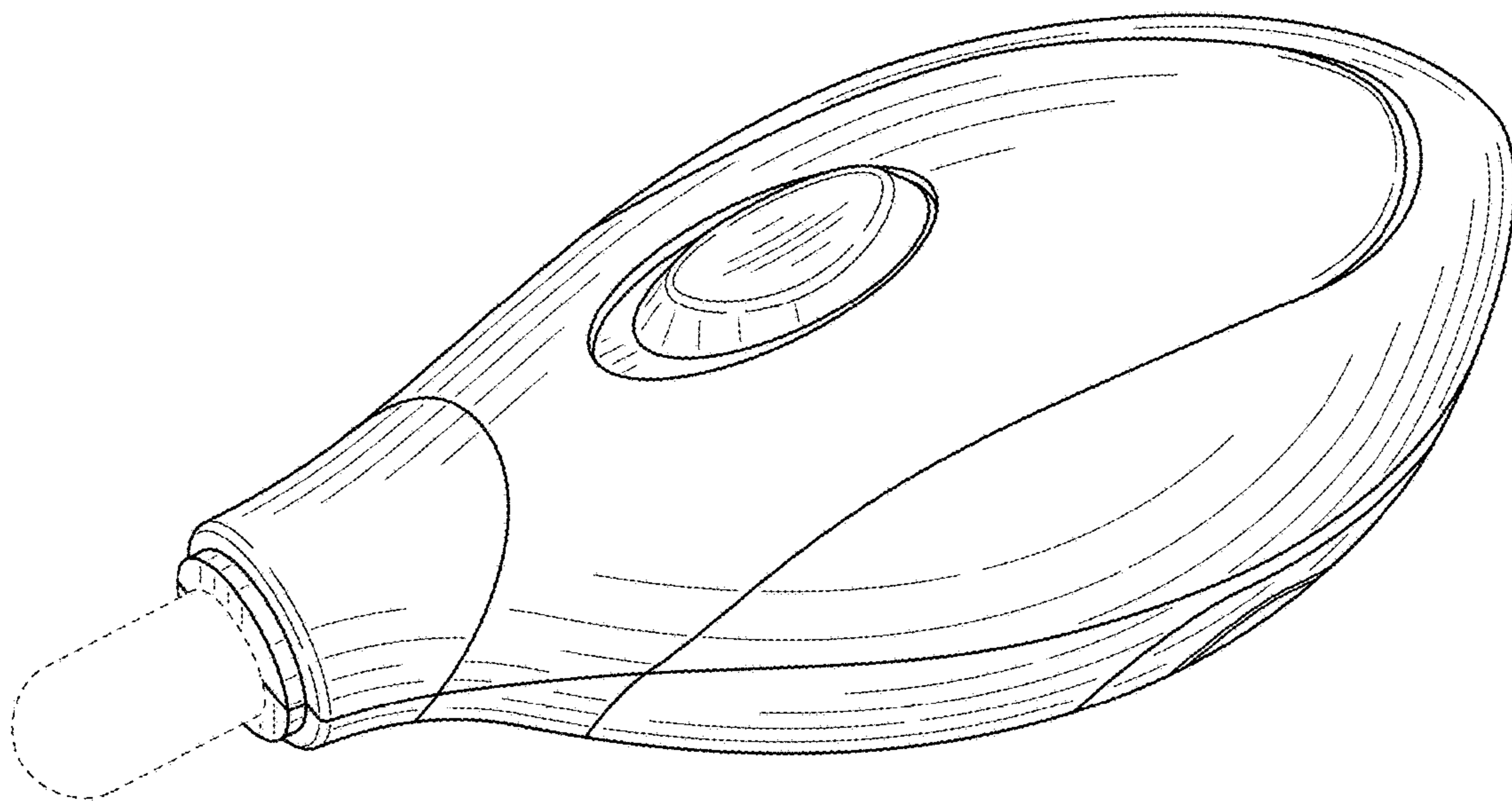


FIG. 1

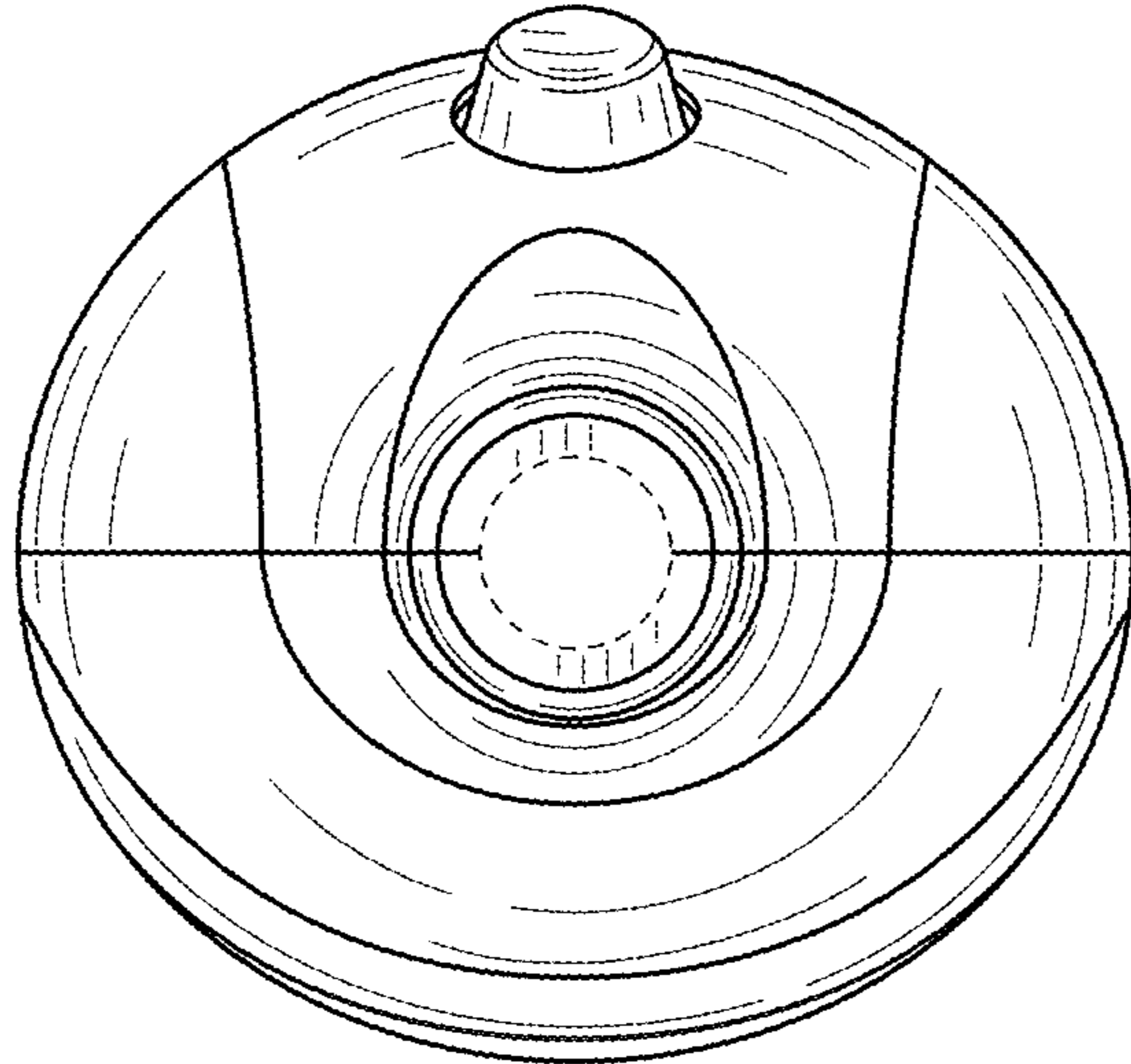


FIG. 2

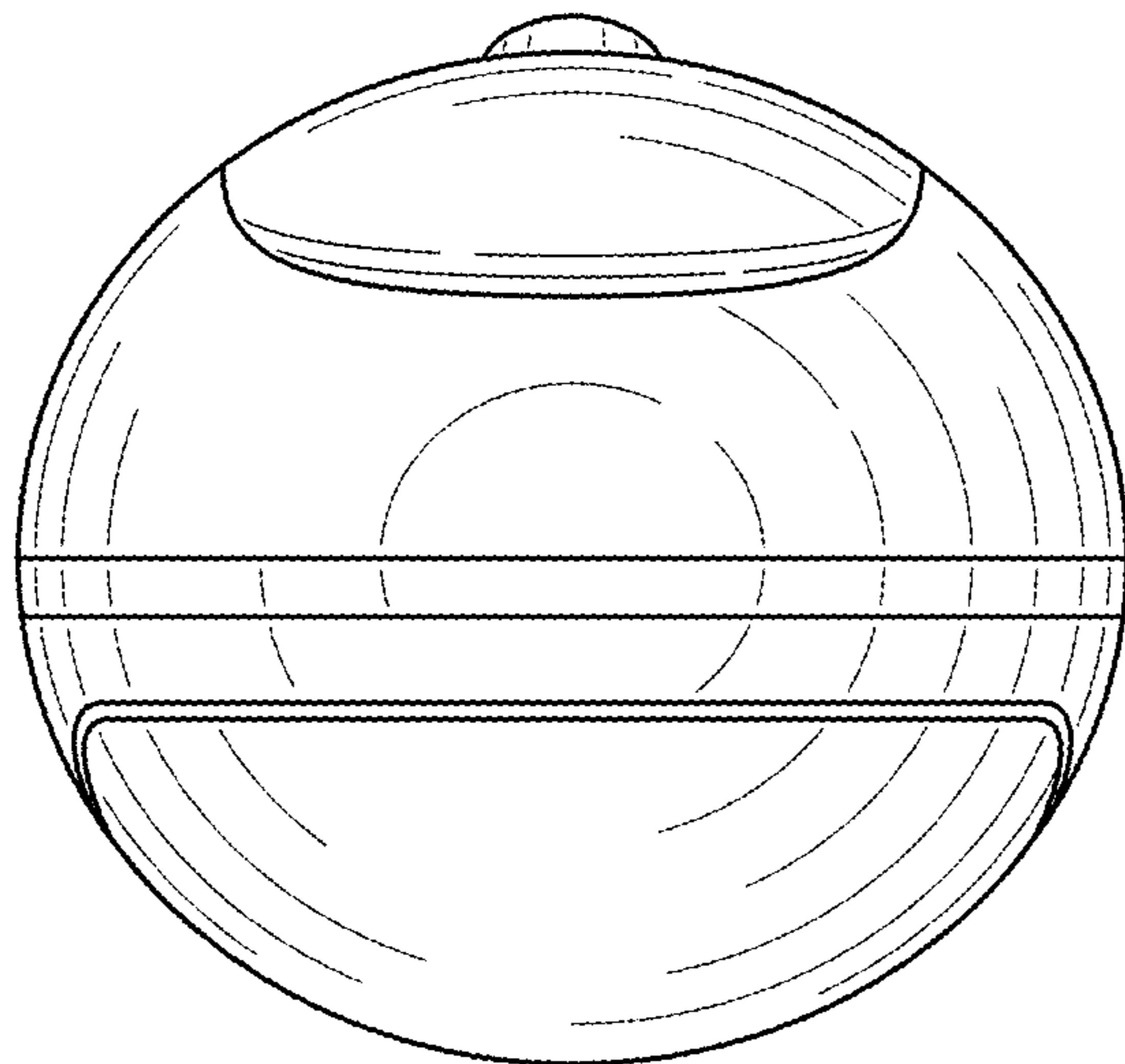


FIG. 3

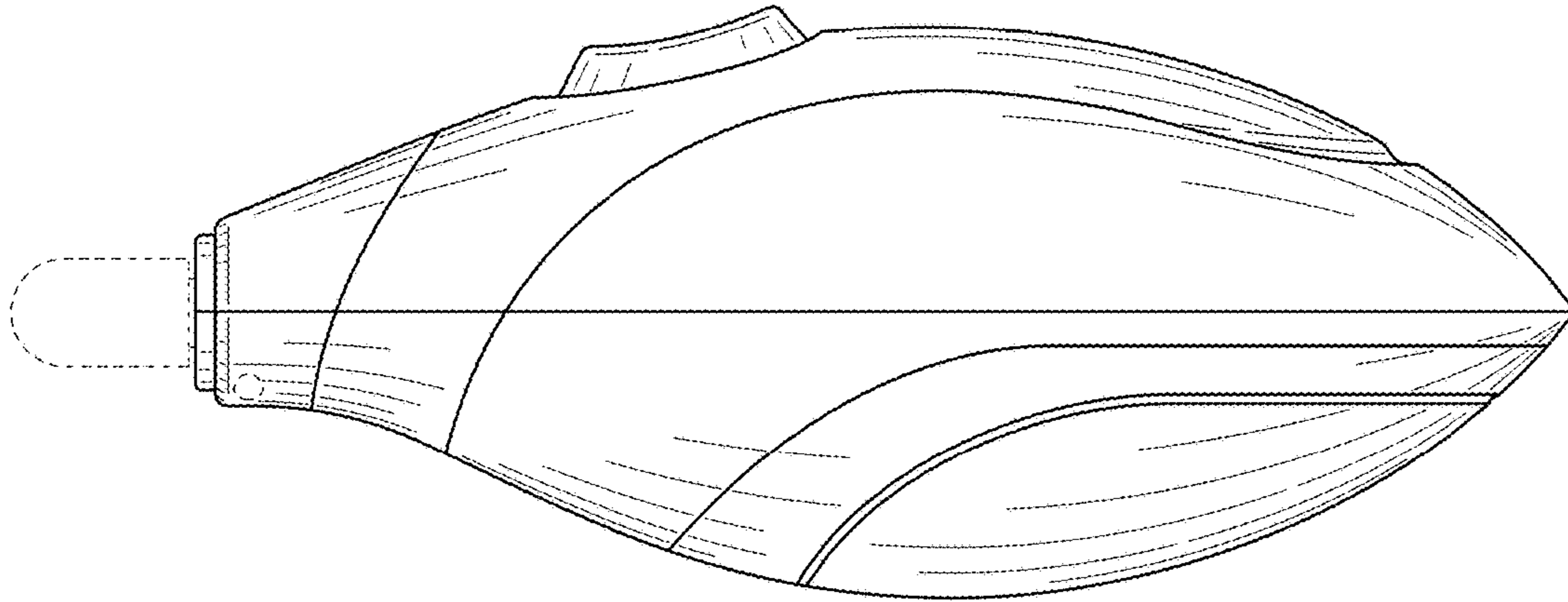


FIG. 4

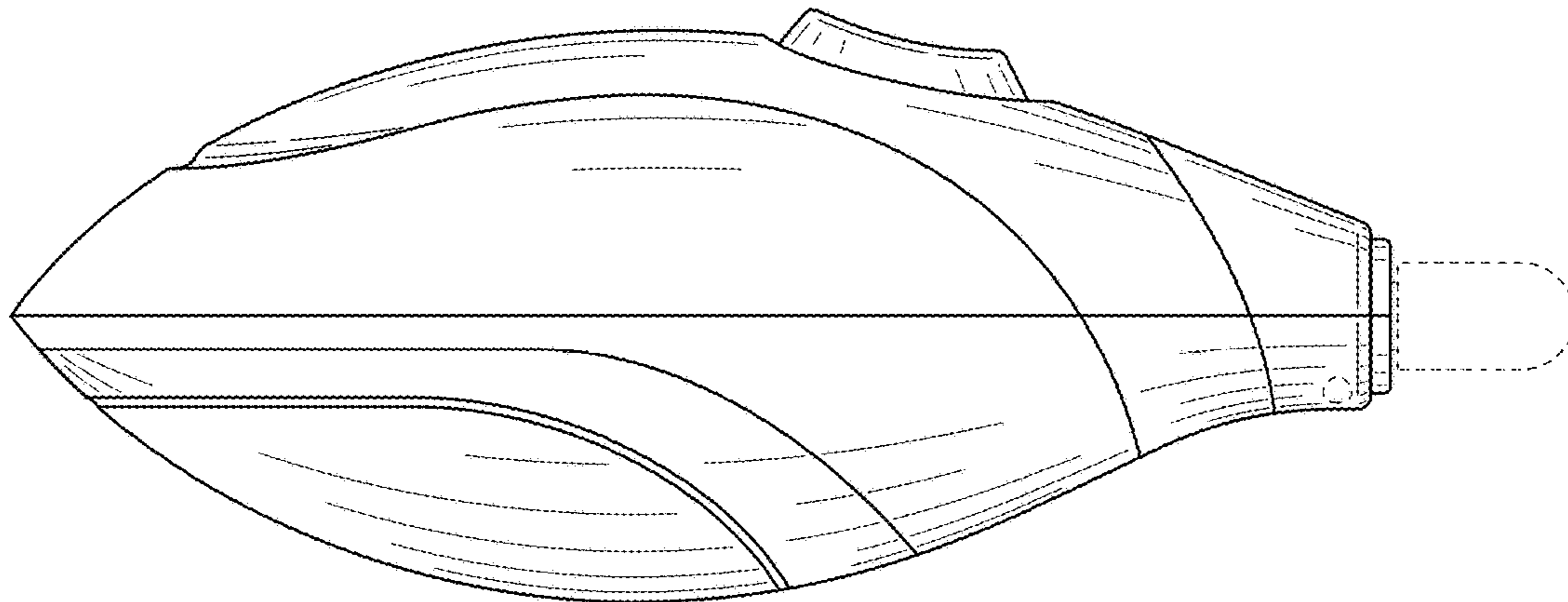


FIG. 5



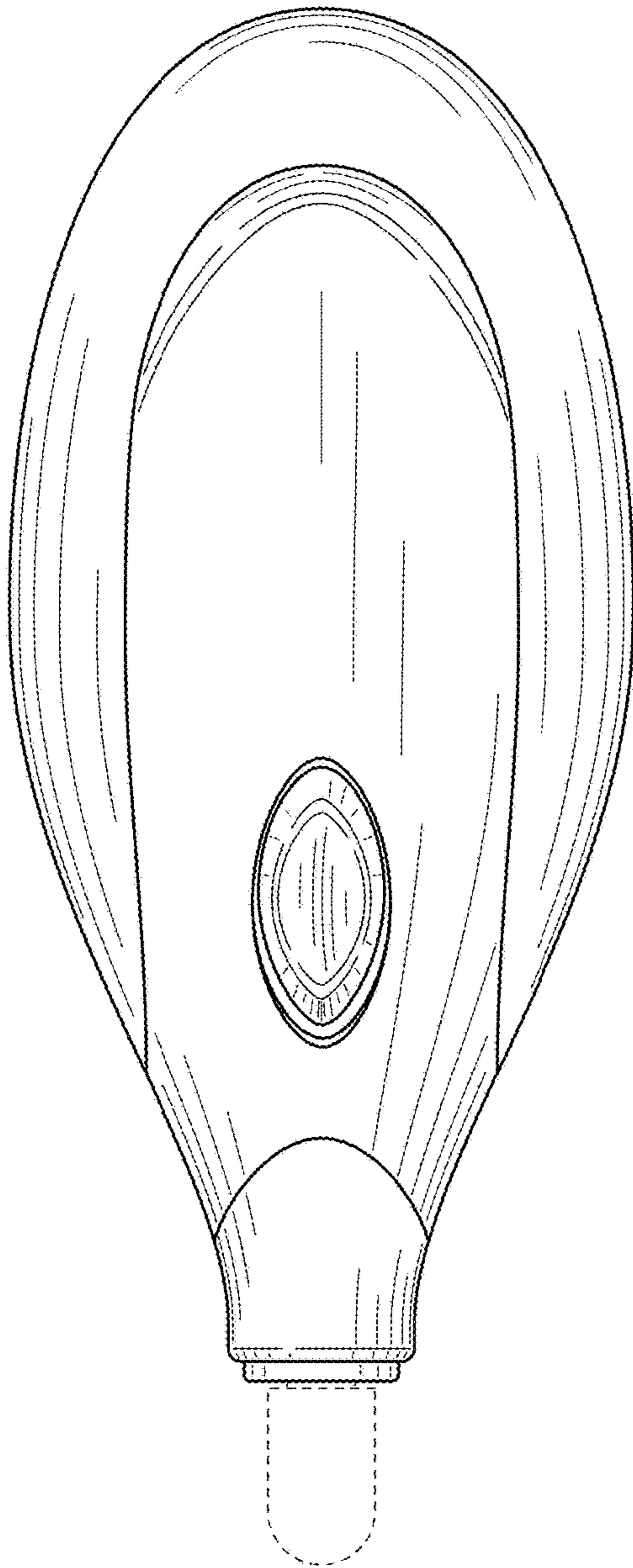


FIG. 6

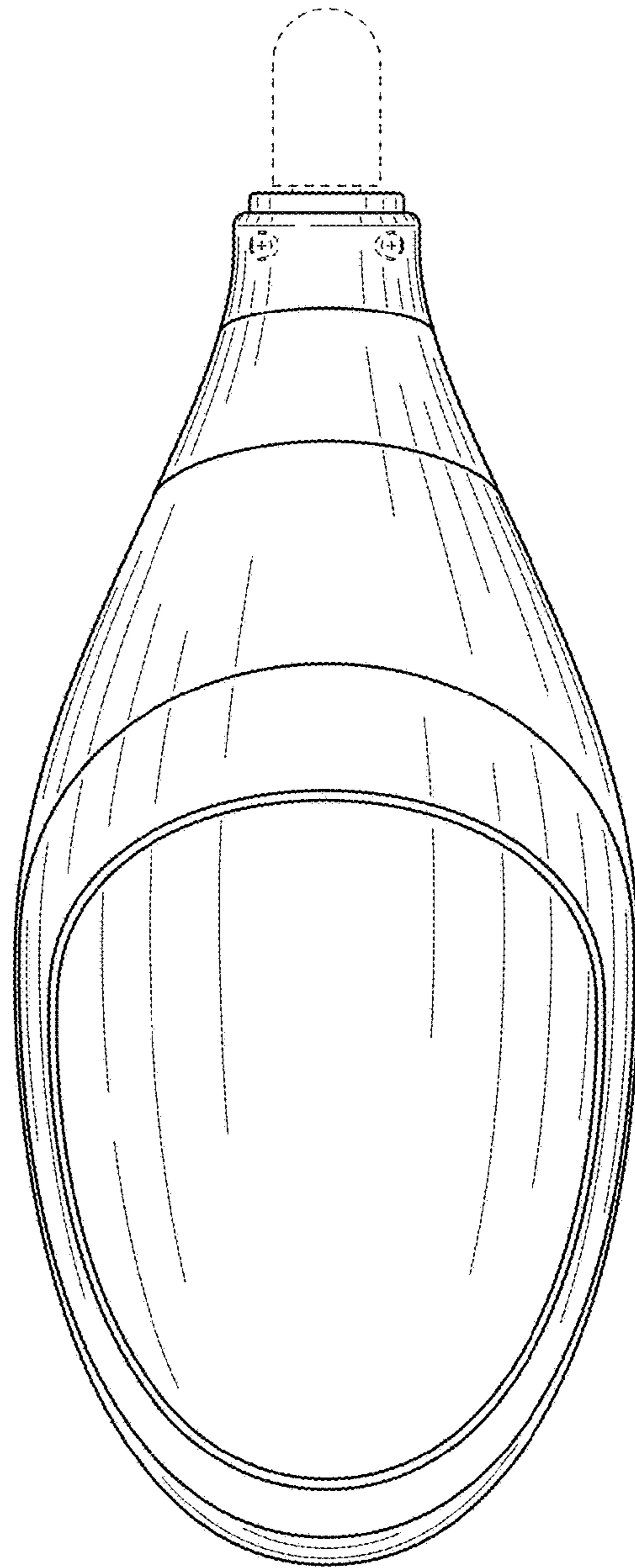


FIG. 7