



US00D803397S

(12) **United States Design Patent** (10) **Patent No.:** **US D803,397 S**
Malcolm et al. (45) **Date of Patent:** **** Nov. 21, 2017**

(54) **DENTAL RETRACTOR**
(71) Applicant: **Helping Hand, LLC**, San Clemente, CA (US)
(72) Inventors: **Roger John Malcolm**, Capistrano Beach, CA (US); **Bruce James Crispin**, West Hills, CA (US); **Kristi Ann Crispin-Blas**, Westlake Village, CA (US)
(73) Assignee: **Helping Hand, LLC**, San Clemente, CA (US)
(**) Term: **14 Years**
(21) Appl. No.: **29/463,699**
(22) Filed: **Feb. 11, 2014**
(51) **LOC (10) Cl.** **24-02**
(52) **U.S. Cl.**
USPC **D24/135**
(58) **Field of Classification Search**
USPC D24/135, 147, 152, 154, 153; D28/91.2; 433/136, 140; 600/242
See application file for complete search history.

4,610,243 A * 9/1986 Ray 600/206
D306,207 S * 2/1990 Hannan et al. D24/149
5,487,660 A * 1/1996 Good 433/3
D372,094 S * 7/1996 Bergstrom et al. D24/154
5,730,597 A * 3/1998 Luttrell 433/140
5,743,853 A * 4/1998 Lauderdale 600/210
D458,680 S * 6/2002 Engler D24/135
D580,053 S * 11/2008 Huether D24/135
D586,914 S * 2/2009 DaSilva D24/135
D610,311 S * 2/2010 Campbell D28/91.2
D658,290 S * 4/2012 Ryshkus et al. D24/135
D668,333 S * 10/2012 Lee D24/135
2007/0082319 A1* 4/2007 Fletcher et al. 433/140
2015/0093716 A1* 4/2015 Fulton, III 433/93

* cited by examiner

Primary Examiner — Ian Simmons
Assistant Examiner — Samantha Q Lawrence

(57) **CLAIM**

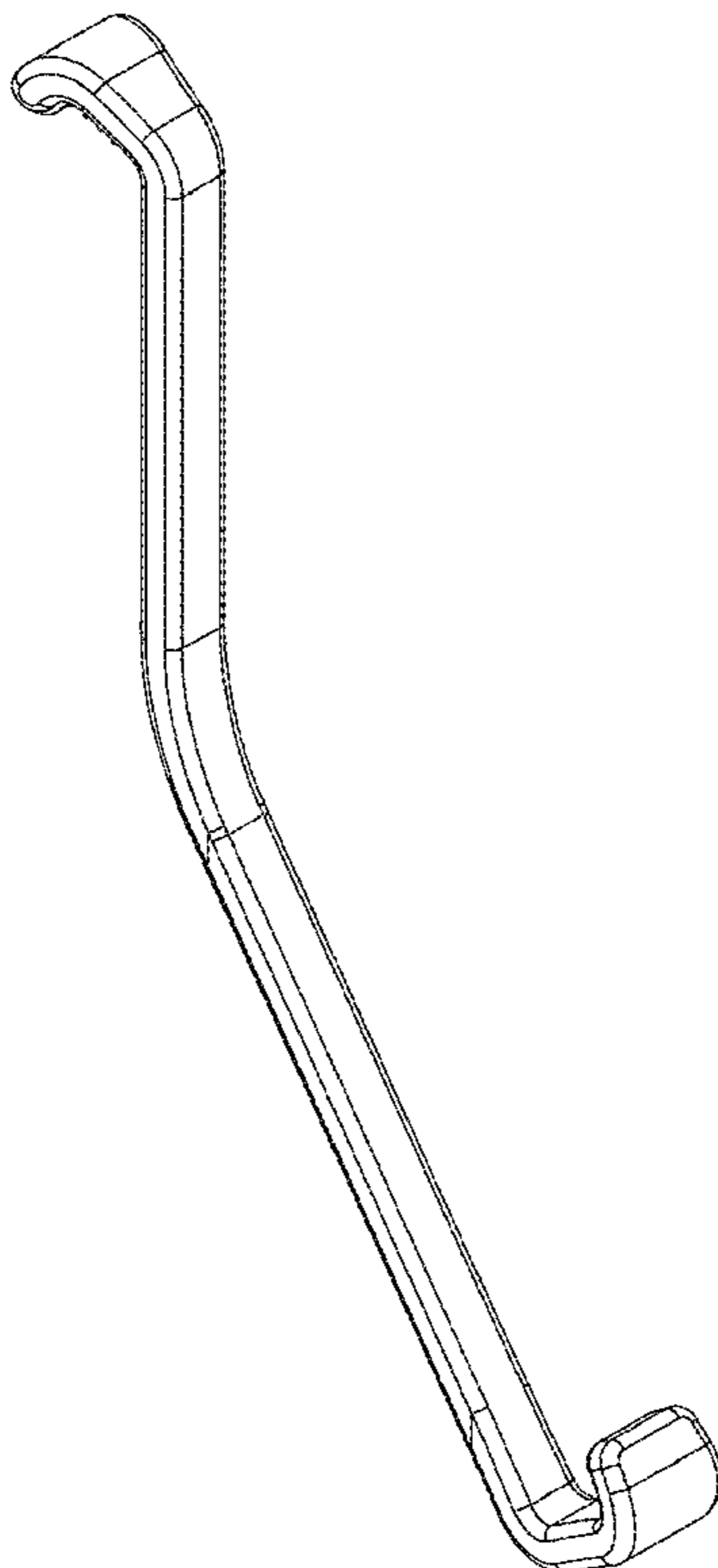
The ornamental design for a dental retractor, as shown and described.

DESCRIPTION

FIG. 1 is a top, rear perspective view of a dental retractor.
FIG. 2 is a top, front perspective view thereof.
FIG. 3 is a side view thereof.
FIG. 4 is a front view thereof.
FIG. 5 is a rear view thereof.
FIG. 6 is a top view thereof.
FIG. 7 is a bottom thereof; and,
FIG. 8 is a bottom, front perspective view of the top portion thereof, shown at an enlarged scale.

1 Claim, 8 Drawing Sheets

(56) **References Cited**
U.S. PATENT DOCUMENTS
D127,463 S * 5/1941 Nerbas D24/135
2,831,480 A * 4/1958 Milano 600/242
3,651,800 A * 3/1972 Wilbanks 600/210



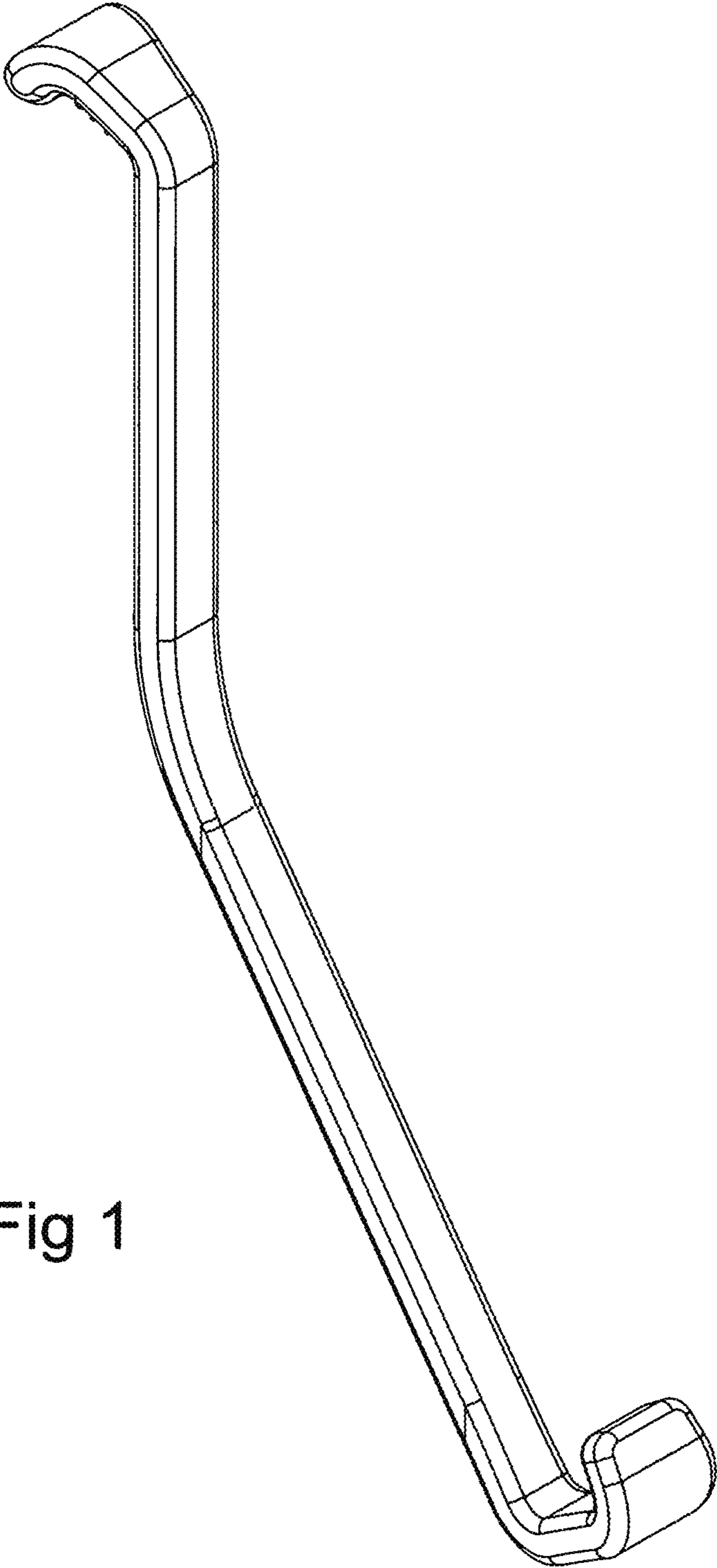


Fig 1

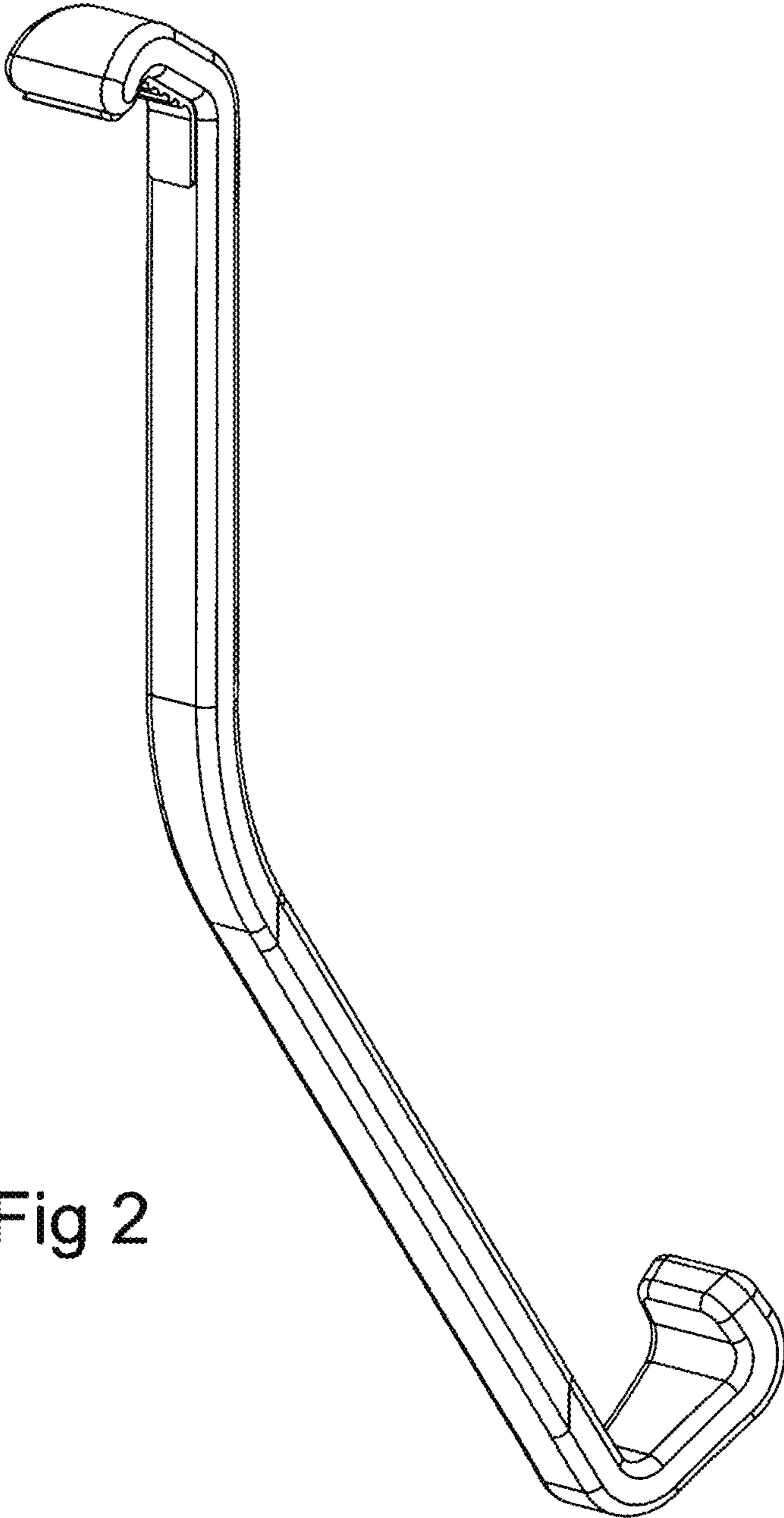


Fig 2

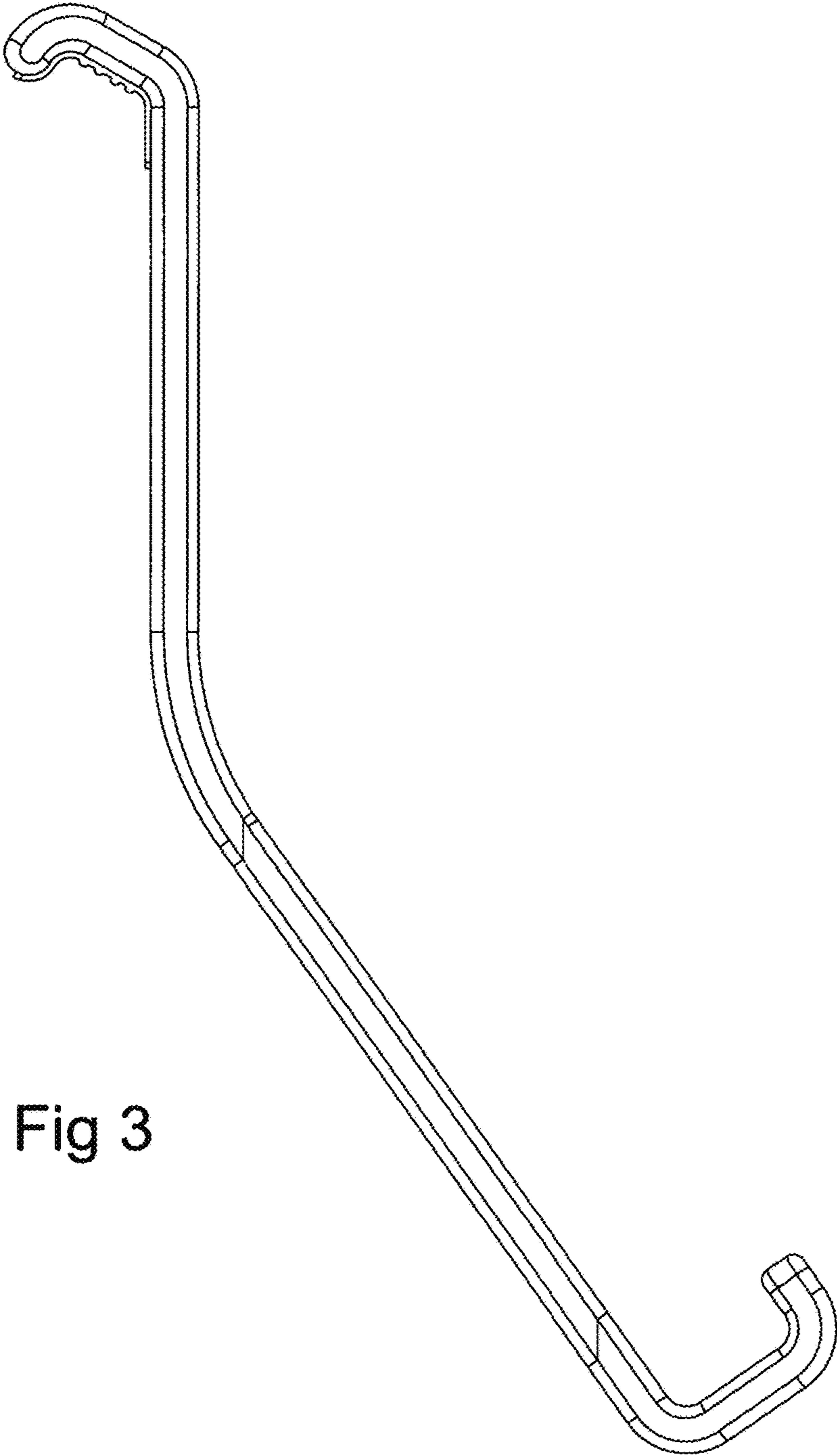


Fig 3

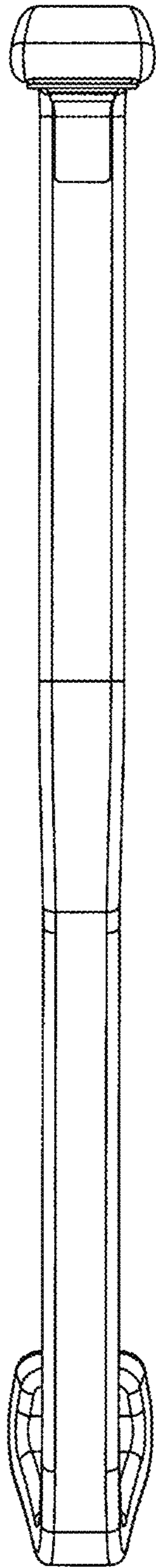


Fig 4

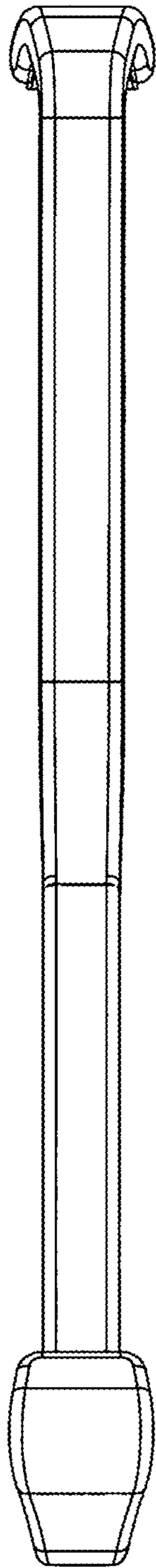


Fig 5

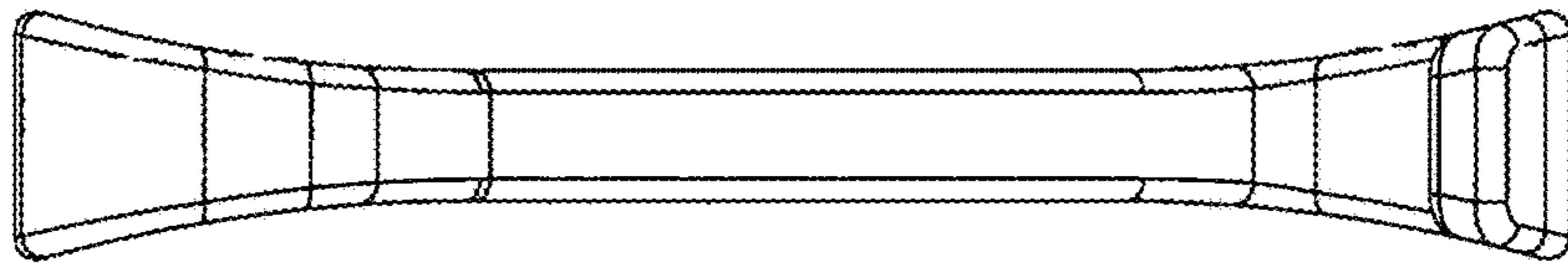


Fig 6

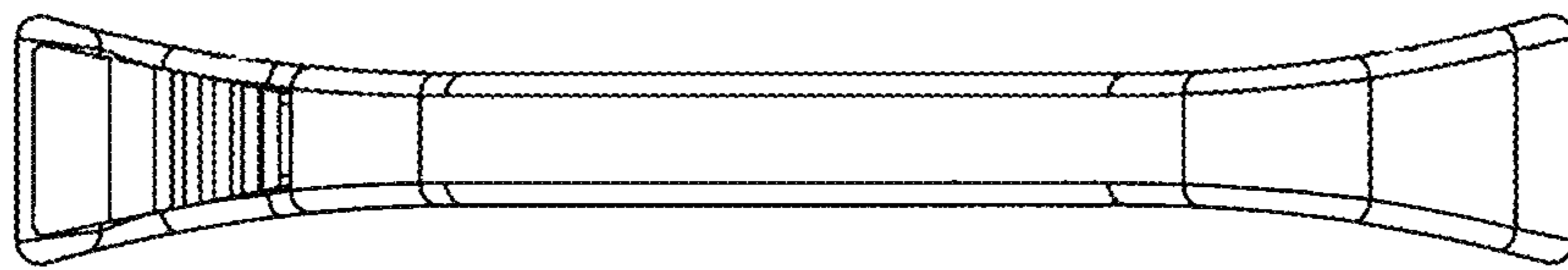


Fig 7

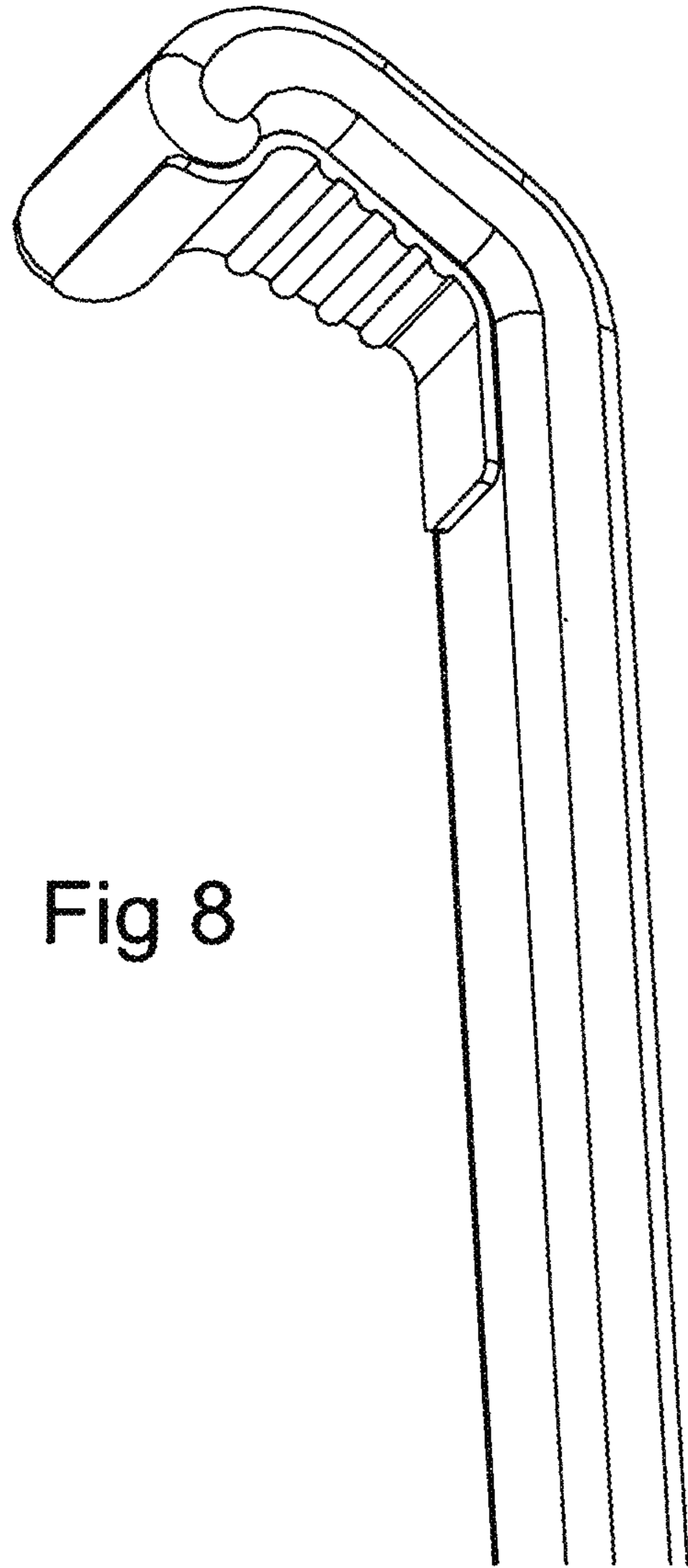


Fig 8