



US00D803394S

(12) **United States Design Patent** (10) **Patent No.:** **US D803,394 S**
Hamel et al. (45) **Date of Patent:** **** Nov. 21, 2017**

(54) **BONE CHIP COLLECTION BASKET**
(71) Applicant: **DePuy Synthes Products, Inc.**,
Raynham, MA (US)
(72) Inventors: **Ross Hamel**, West Chester, PA (US);
Dominic D'Andrea, Wallingford, PA
(US)
(73) Assignee: **DePuy Synthes Products, Inc.**
(**) Term: **15 Years**
(21) Appl. No.: **29/542,144**
(22) Filed: **Oct. 12, 2015**
(51) **LOC (10) Cl.** **24-04**
(52) **U.S. Cl.**
USPC **D24/121**
(58) **Field of Classification Search**
USPC D24/121, 123, 224; 604/317-325
CPC A61M 1/0001; A61M 1/0058
See application file for complete search history.

(56) **References Cited**

U.S. PATENT DOCUMENTS

D599,903 S * 9/2009 Waller D24/122
D640,786 S * 6/2011 Sato D24/117
D667,960 S * 9/2012 Wilkinson D24/224
D687,304 S * 8/2013 Tanner D24/121
D690,826 S * 10/2013 Kuroda D24/224
D695,416 S * 12/2013 Saliaris D24/224
D717,462 S * 11/2014 Wainwright D24/216
D727,494 S * 4/2015 Logue D24/121

D728,123 S * 4/2015 Cullimore D24/224
D731,672 S * 6/2015 Kuroda D24/224
D743,571 S * 11/2015 Jackson D24/216
D755,957 S * 5/2016 Larson D24/121
D759,267 S * 6/2016 Brandenburger D24/224

* cited by examiner

Primary Examiner — David Muller

(74) *Attorney, Agent, or Firm* — Wayne C. Jaeschke, Jr.

(57) **CLAIM**

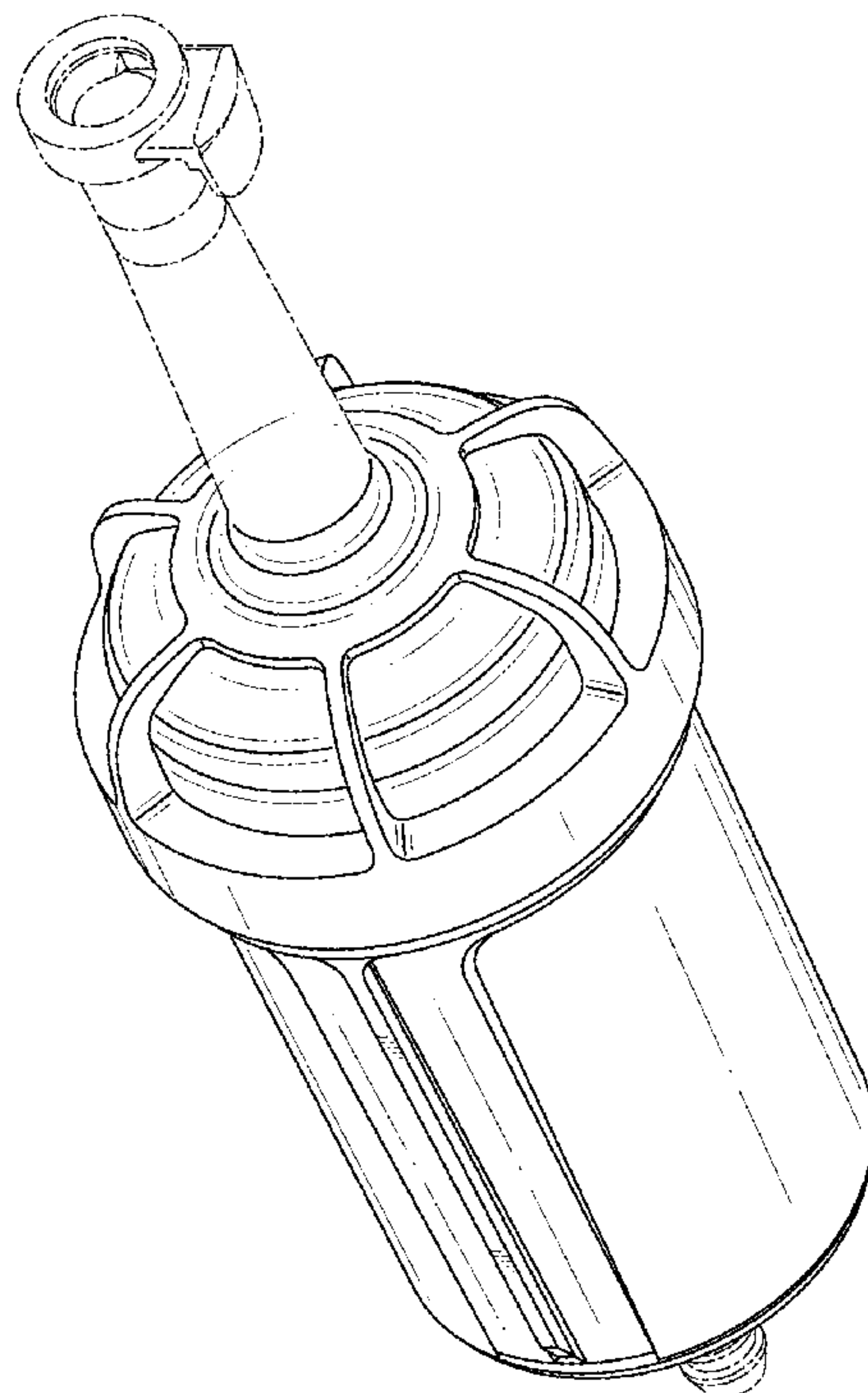
We claim the ornamental design for a bone chip collection basket, as shown and described.

DESCRIPTION

FIG. 1 is an environmental perspective view of the bone chip collection basket, from the top position;
FIG. 2 is a left side view thereof;
FIG. 3 is a front view thereof;
FIG. 4 is a right side view thereof;
FIG. 5 is a back view thereof;
FIG. 6 is a top view thereof;
FIG. 7 is a bottom view thereof;
FIG. 8 is a perspective view of the bone chip collection basket, from the top position;
FIG. 9 is a left side view thereof;
FIG. 10 is a front view thereof;
FIG. 11 is a right side view thereof;
FIG. 12 is a back view thereof;
FIG. 13 is a top view thereof; and,
FIG. 14 is a bottom view thereof.

The features shown in broken lines in various Figures are for illustrating reference or environmental structure.

1 Claim, 12 Drawing Sheets



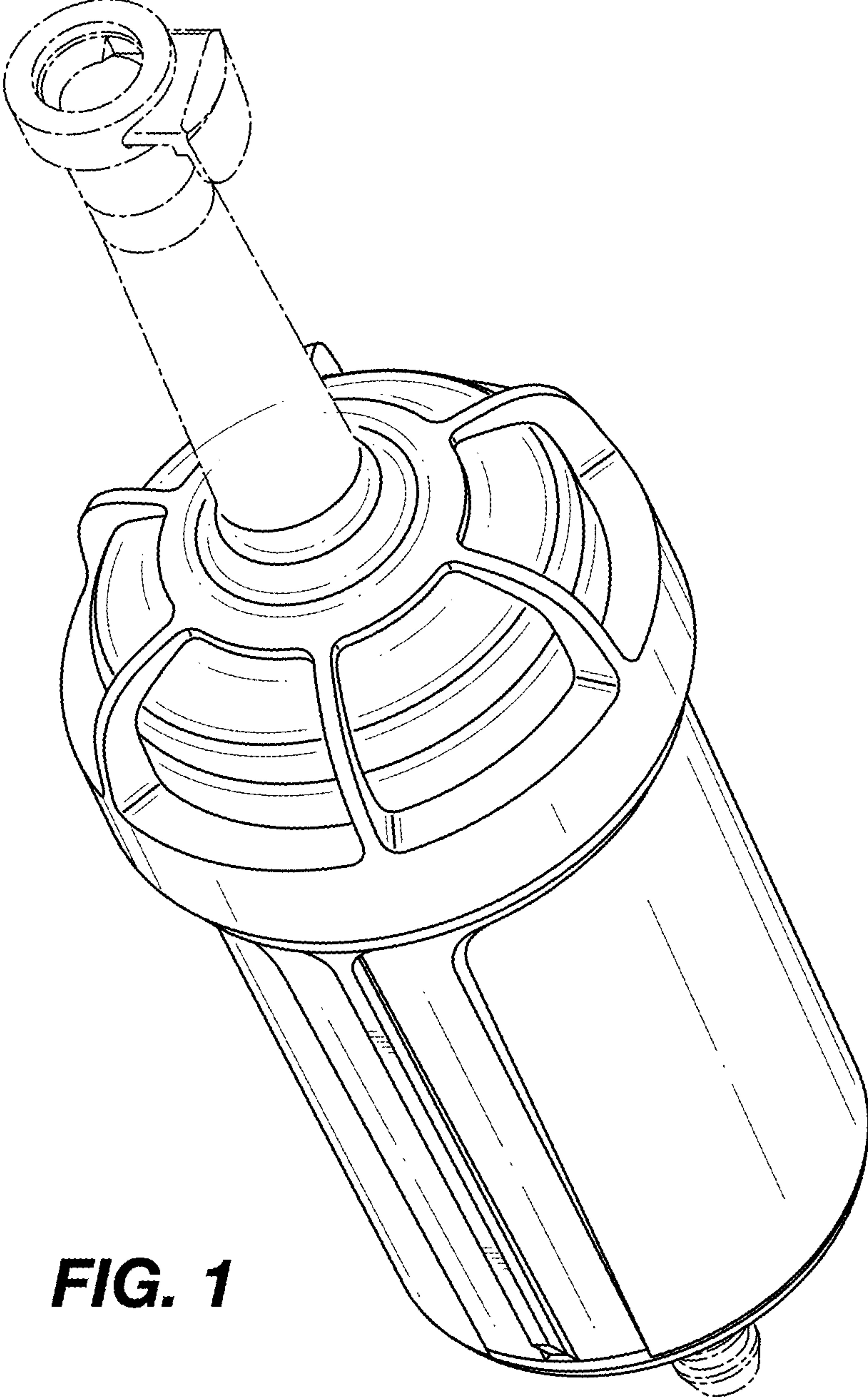


FIG. 1

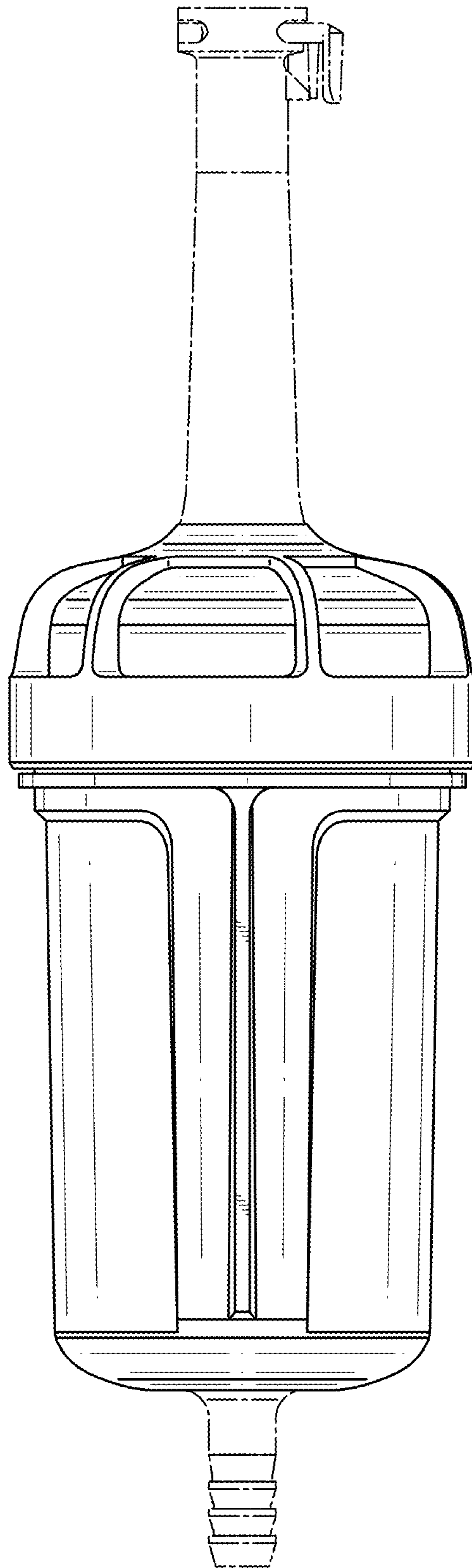


FIG. 2

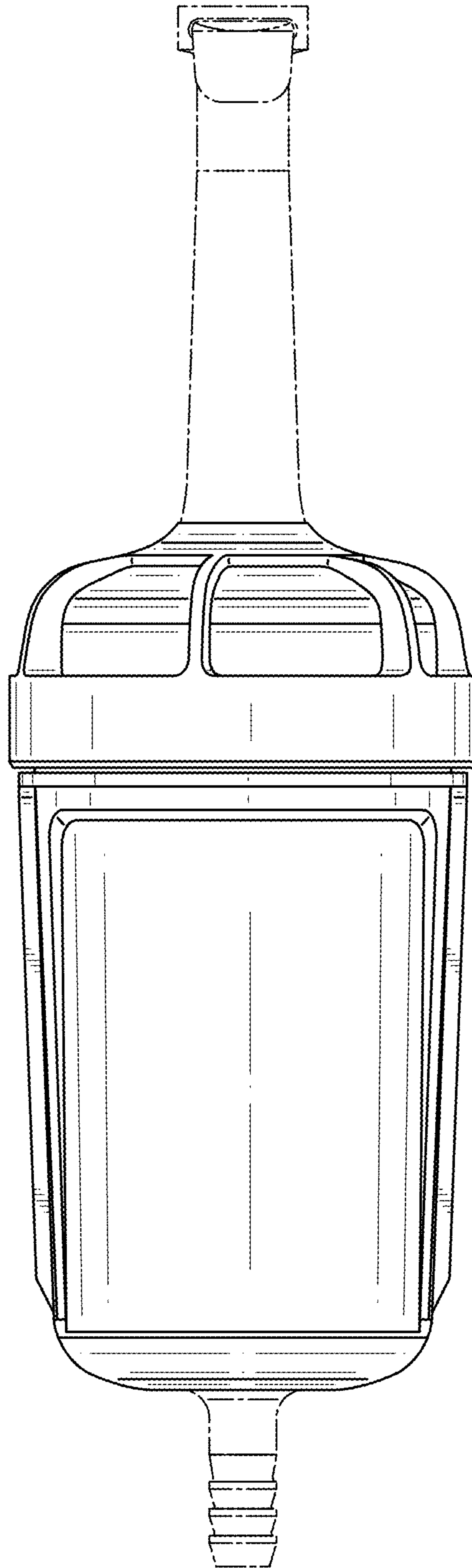


FIG. 3

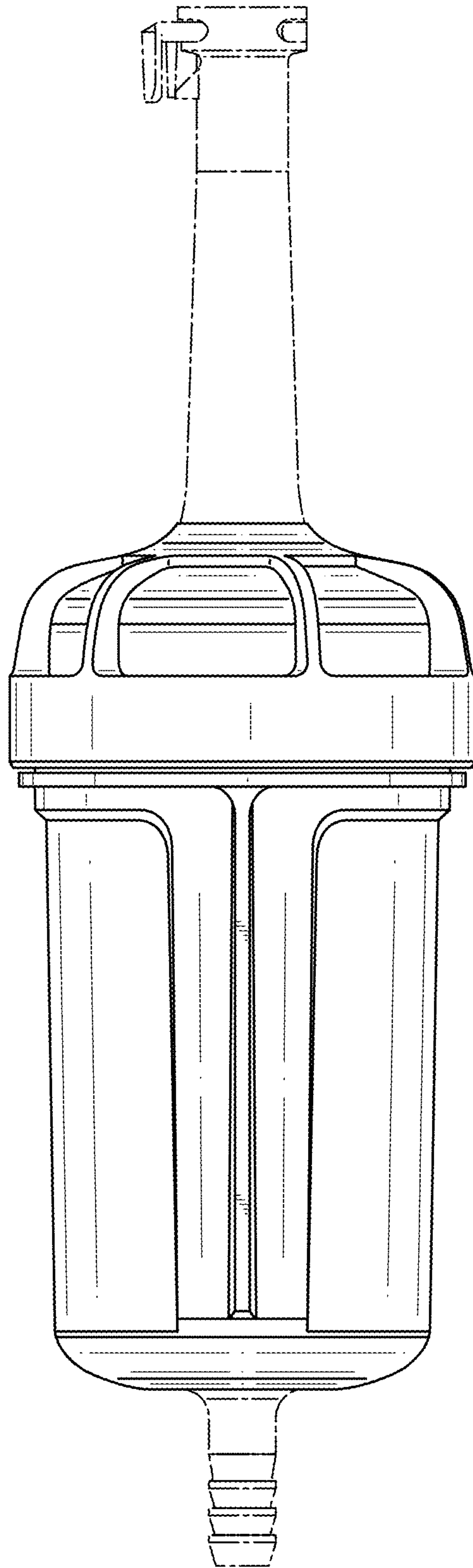


FIG. 4

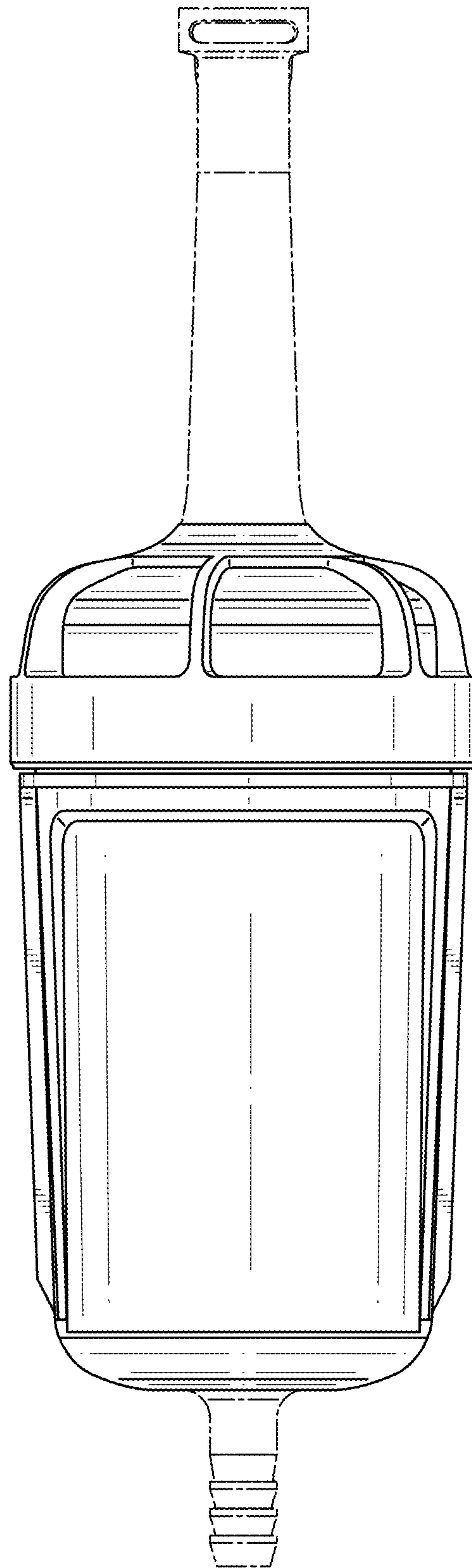


FIG. 5

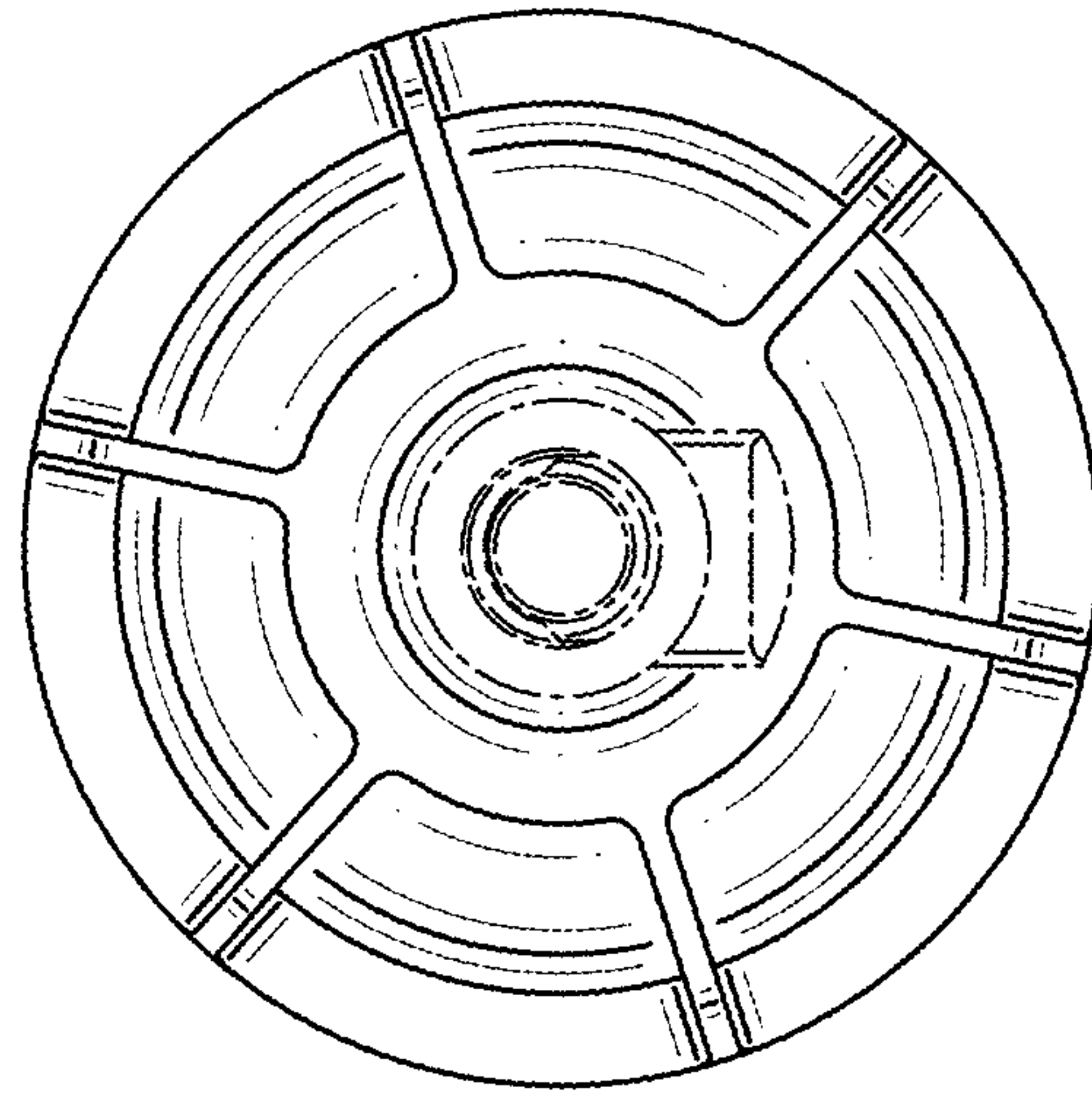


FIG. 6

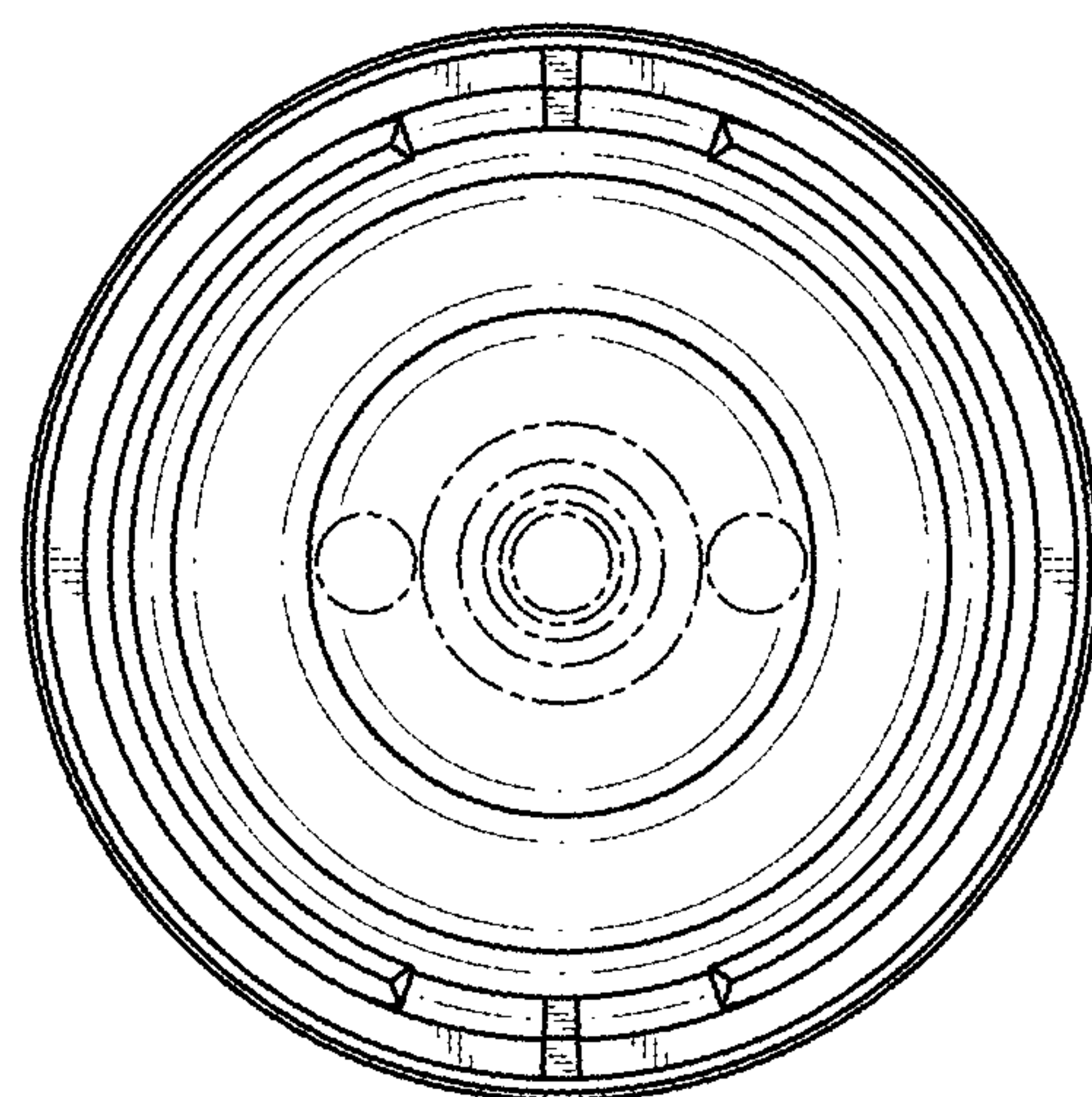


FIG. 7

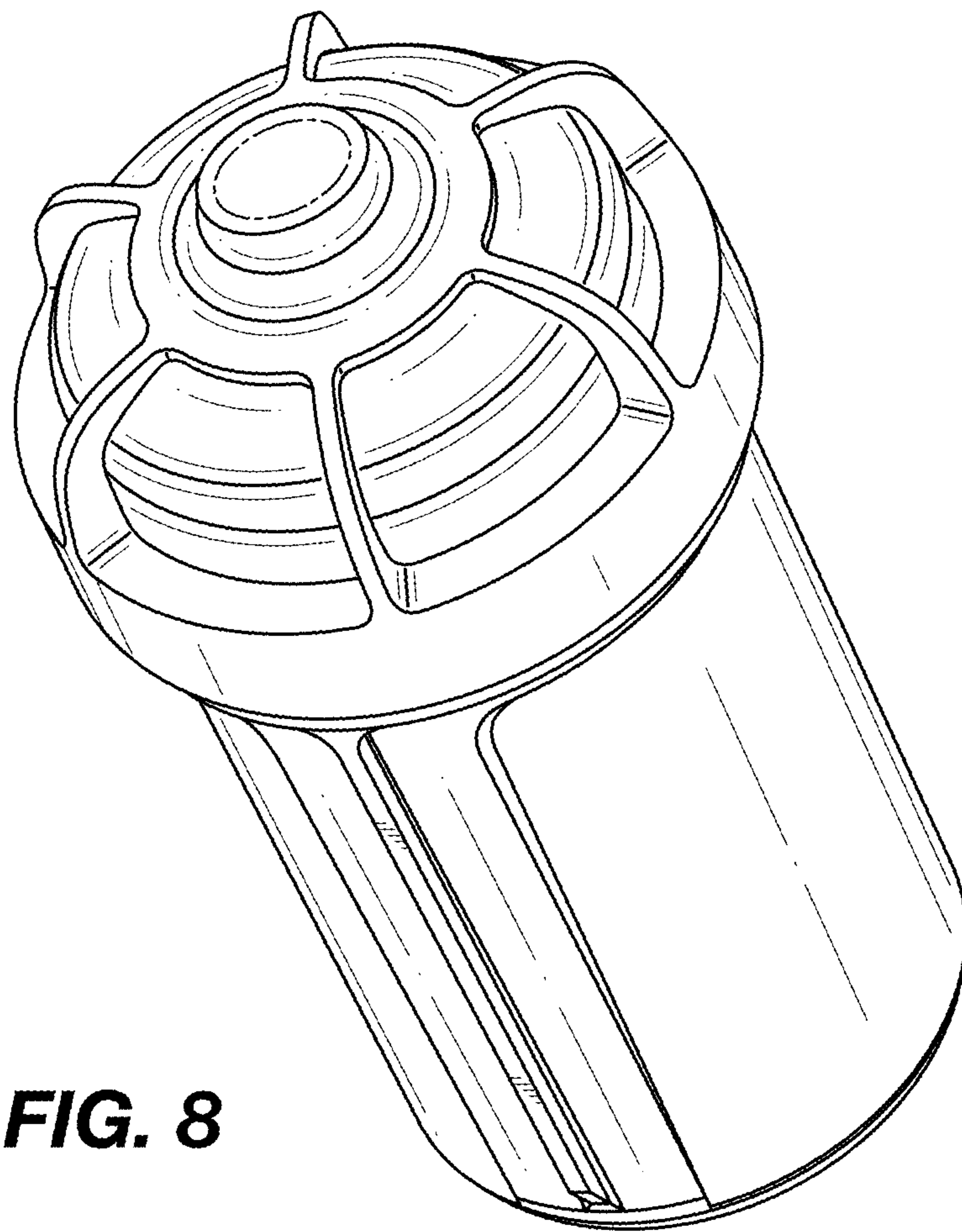


FIG. 8

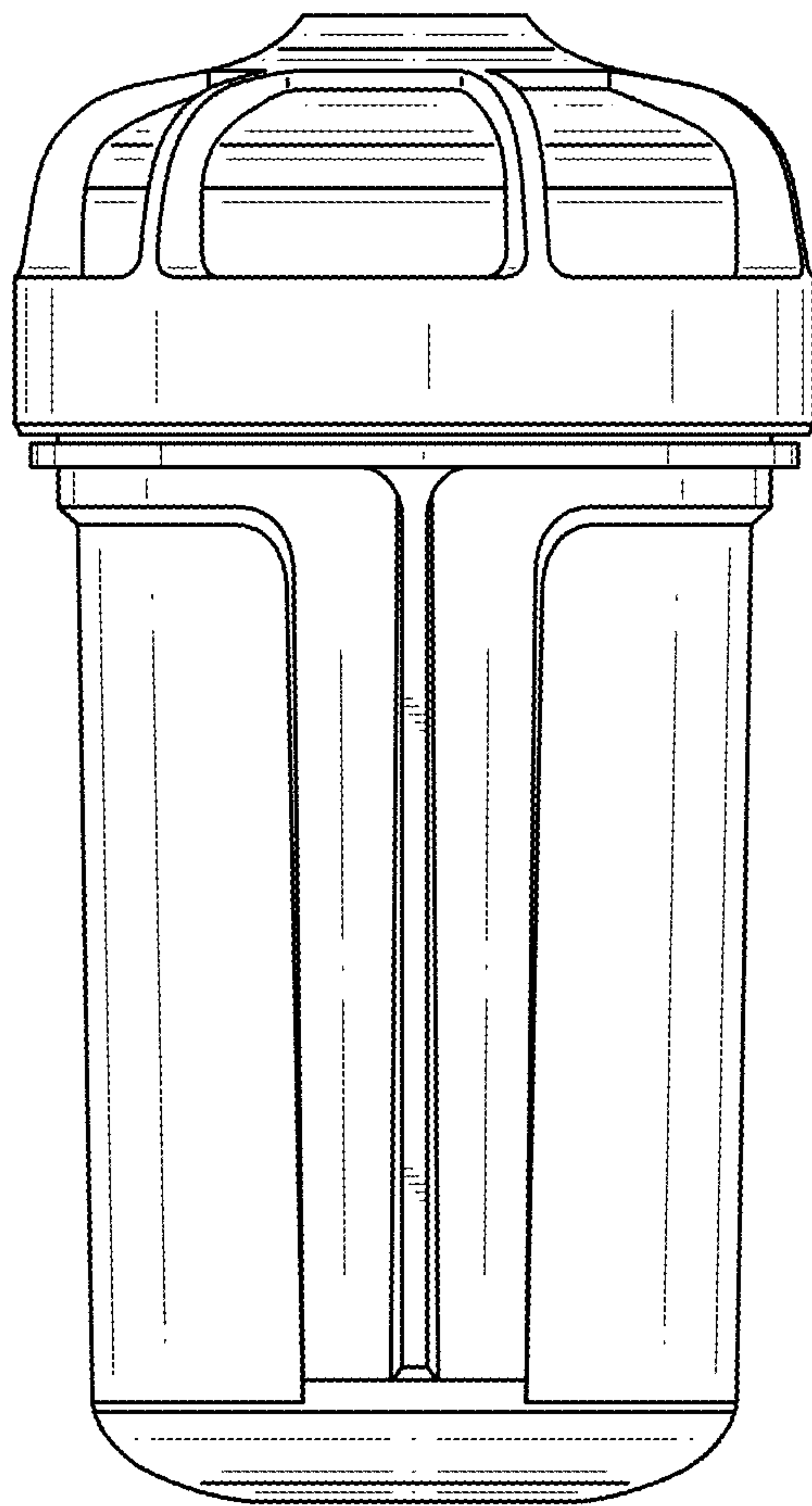


FIG. 9

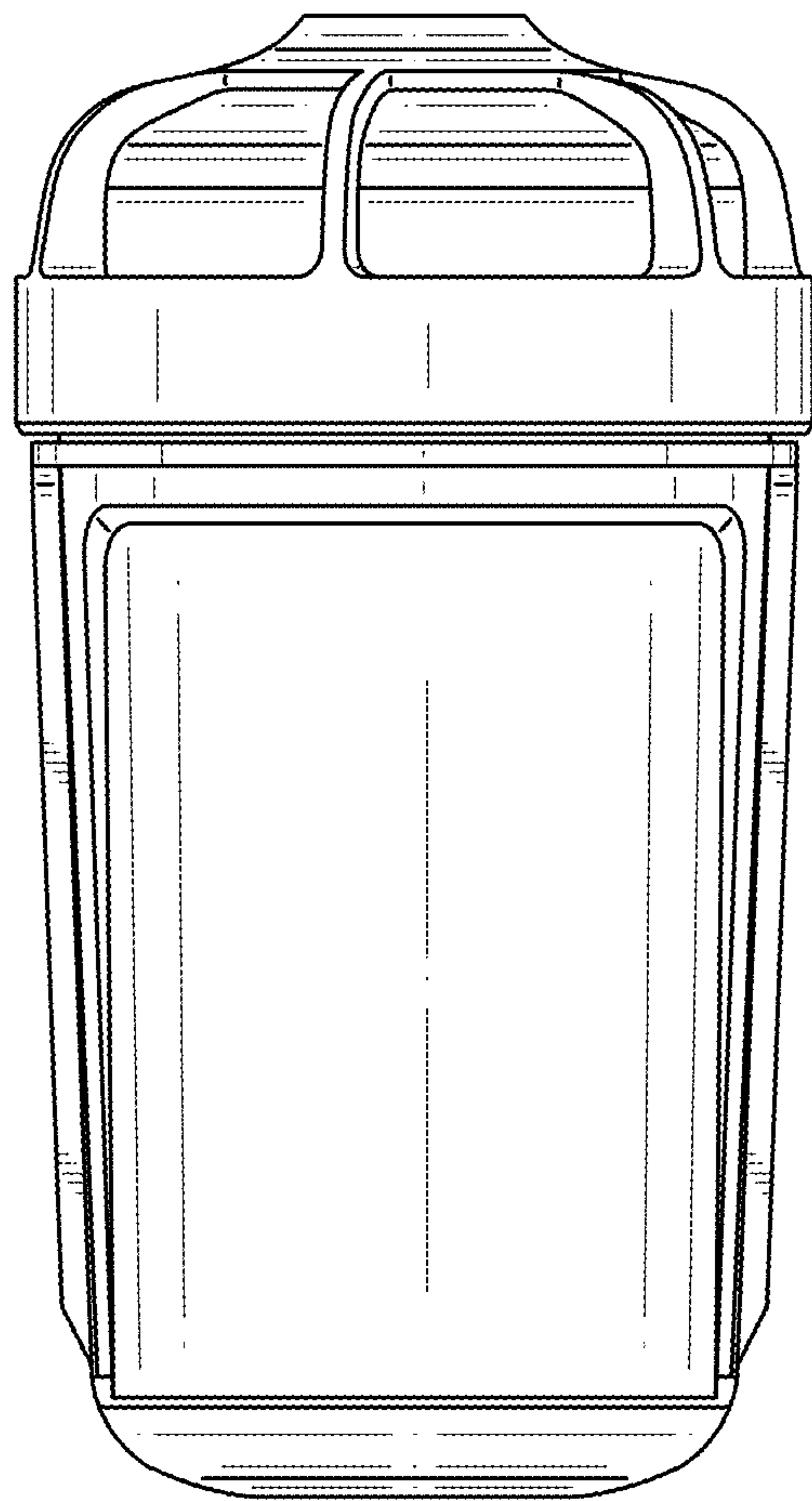


FIG. 10

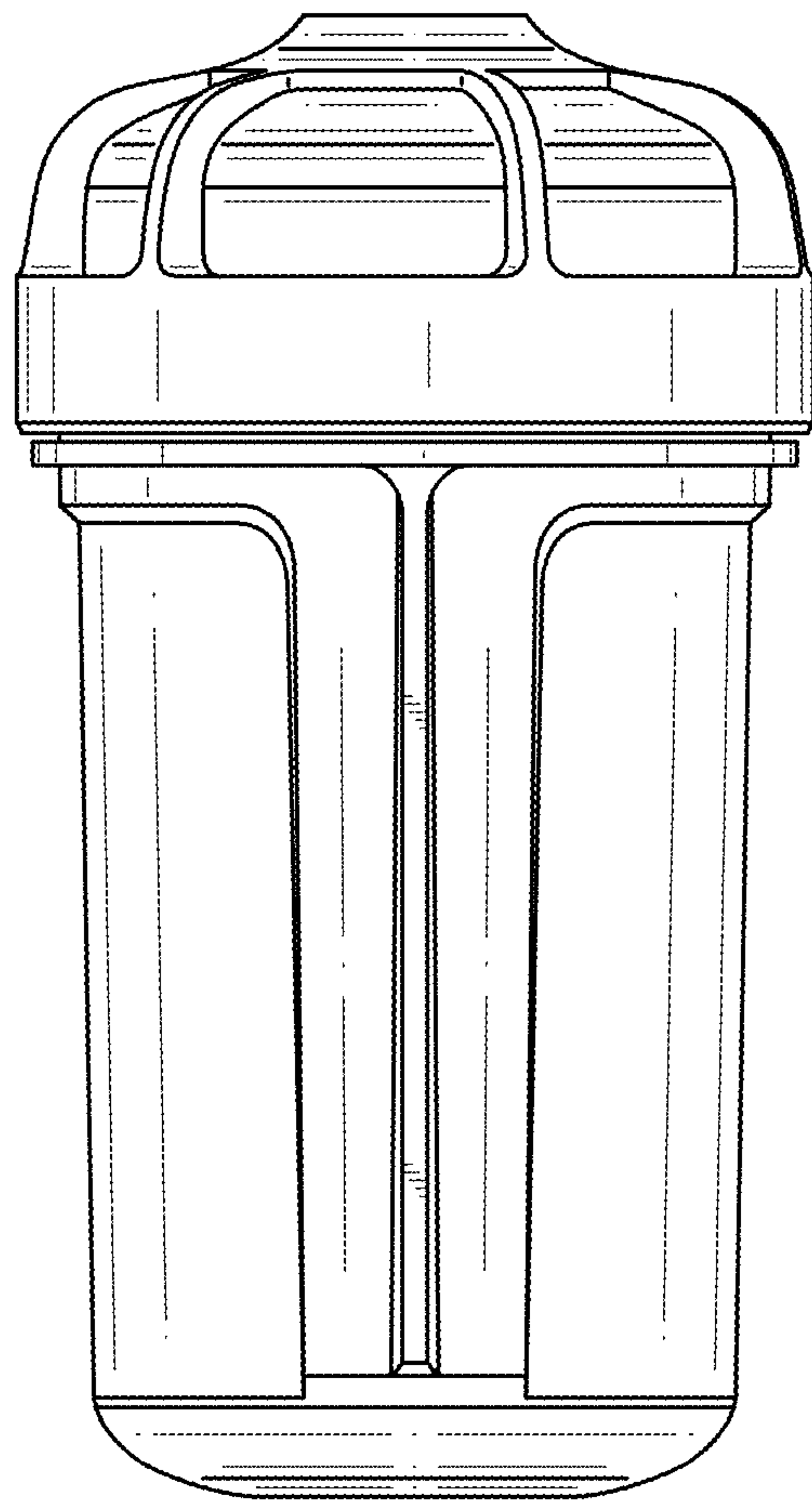


FIG. 11

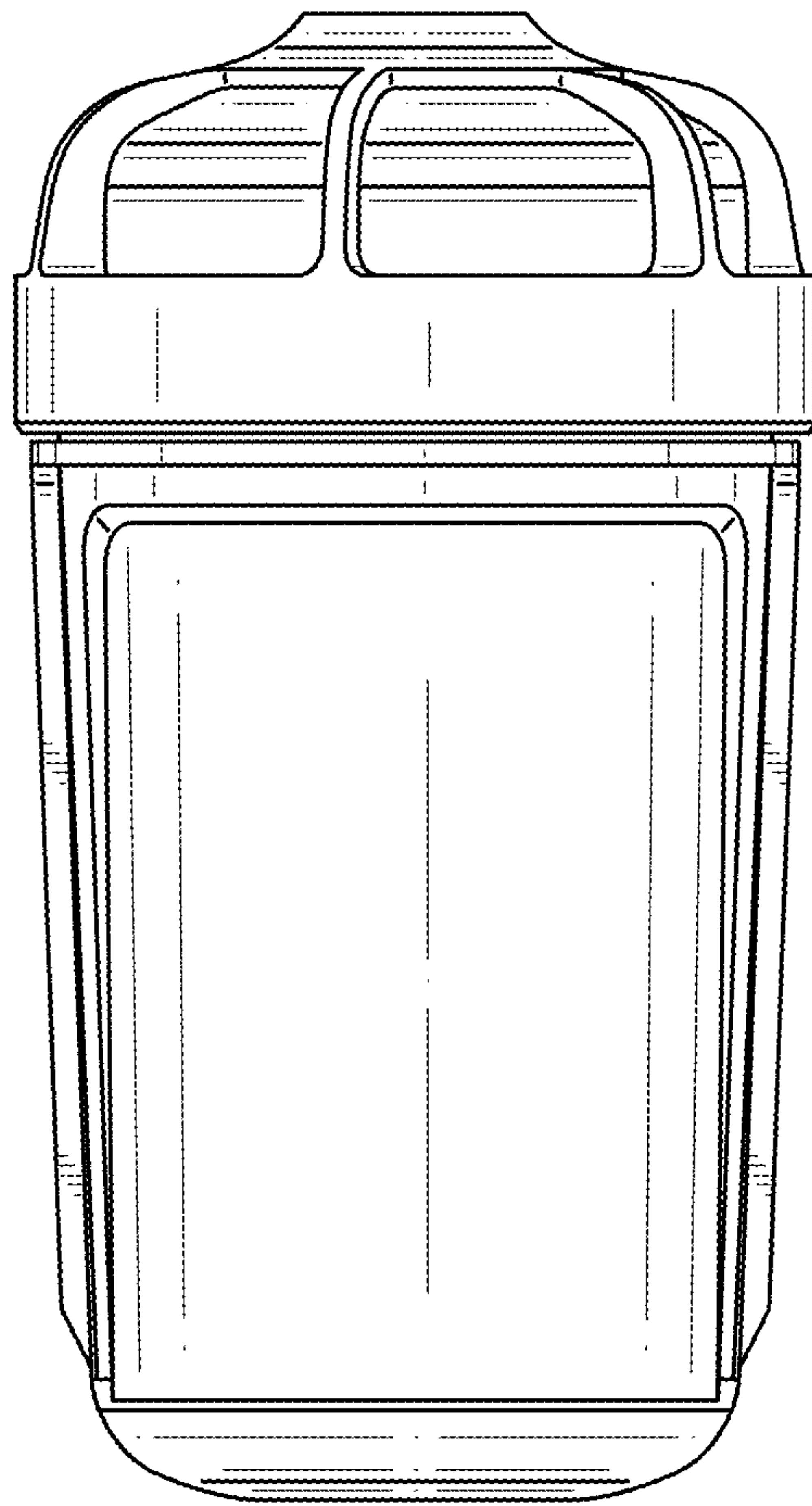


FIG. 12

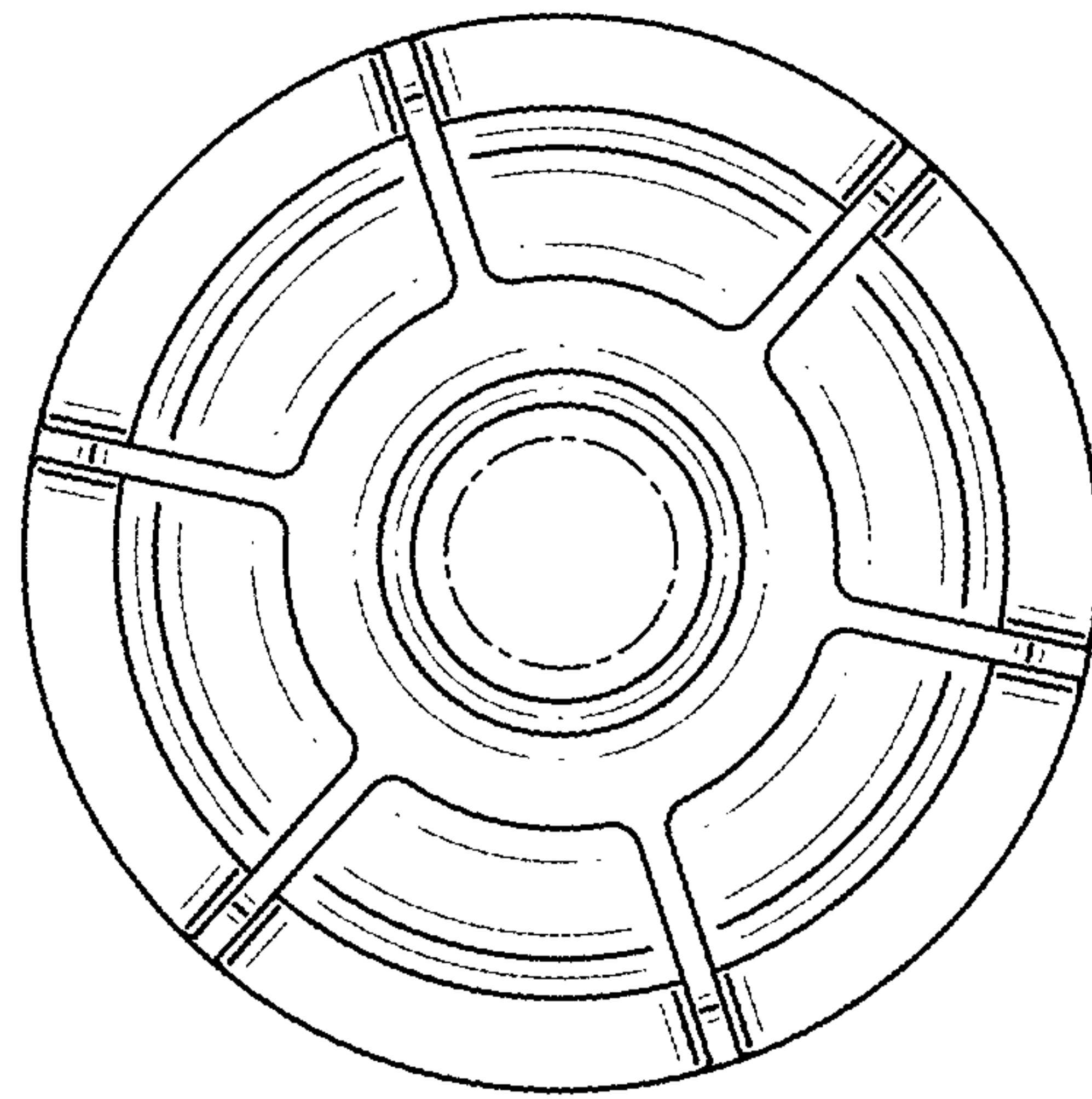


FIG. 13

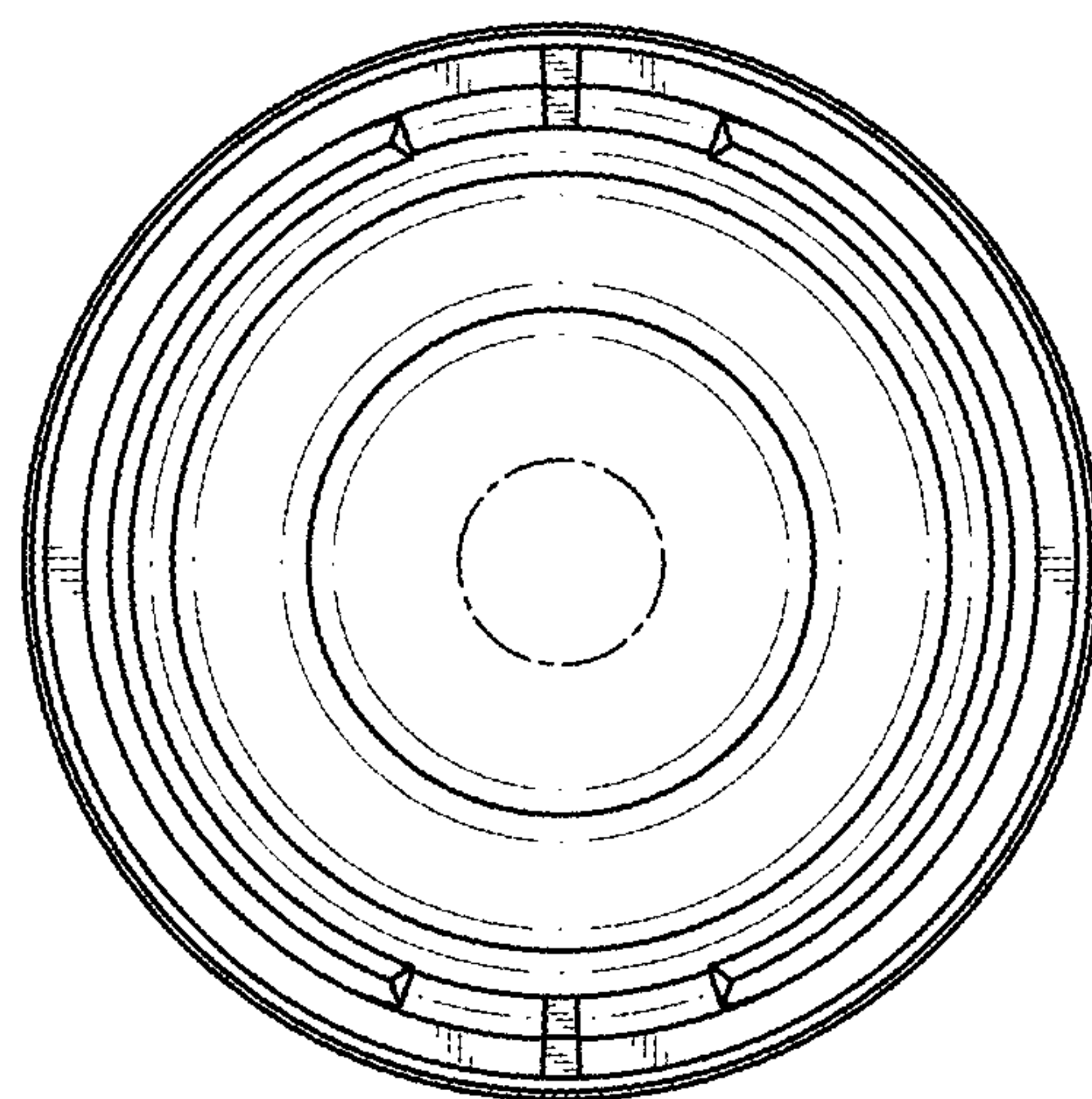


FIG. 14