



US00D803392S

(12) **United States Design Patent** (10) **Patent No.:** **US D803,392 S**
Chuvashova et al. (45) **Date of Patent:** **** Nov. 21, 2017**

(54) **MEDICAMENT DELIVERY DEVICE**
(71) Applicant: **Carebay Europe Ltd.**, Sliema (MT)
(72) Inventors: **Natalia Chuvashova**, Nacka (SE);
Thomas Bergens, Ingaro (SE); **Anders Wieselblad**, Stockholm (SE)

3,334,788 A 8/1967 Hamilton
4,413,760 A 11/1983 Paton
4,475,905 A 10/1984 Himmelstrup
4,498,904 A 2/1985 Turner et al.
4,592,745 A 6/1986 Rex et al.
4,659,327 A 4/1987 Bennett et al.
4,883,472 A 11/1989 Michel
(Continued)

(73) Assignee: **CAREBAY EUROPE LTD.**, Sliema (MT)

FOREIGN PATENT DOCUMENTS

(**) Term: **15 Years**

WO WO-2013/156345 A2 10/2013
WO WO-2016/091554 A1 6/2016

(21) Appl. No.: **29/567,883**

OTHER PUBLICATIONS

(22) Filed: **Jun. 13, 2016**

U.S. Appl. No. 29/567,878, filed Jun. 13, 2016, Chuvashova et al.
(Continued)

Related U.S. Application Data

(63) Continuation of application No. PCT/EP2015/077139, filed on Nov. 19, 2015.

(51) **LOC (10) Cl.** **24-02**

(52) **U.S. Cl.**
USPC **D24/113**

(58) **Field of Classification Search**
USPC D24/112-114, 133, 186, 127-131;
606/181, 185; 604/264, 272, 115, 232,
604/187, 158, 164.08, 192, 263, 163, 181,
604/184, 198, 227; 600/101, 139, 143;
128/200.24, 207.14, 207.15;
D19/115-123, 177, 193
CPC A61M 5/3156; A61M 5/31591; A61M
5/3155; A61M 5/3157; A61M 5/24;
A61M 5/31501; A61M 5/31551; A61M
5/31585; A61M 2005/2407; A61M
2005/2492; A61M 2205/581; A61M
2205/582

See application file for complete search history.

(56) **References Cited**

U.S. PATENT DOCUMENTS

2,632,445 A 3/1953 Kas, Sr.
2,660,342 A 11/1953 Ruf

Primary Examiner — David Muller
Assistant Examiner — Nathan Johnston
(74) *Attorney, Agent, or Firm* — Foley & Lardner LLP;
Nicola A. Pisano

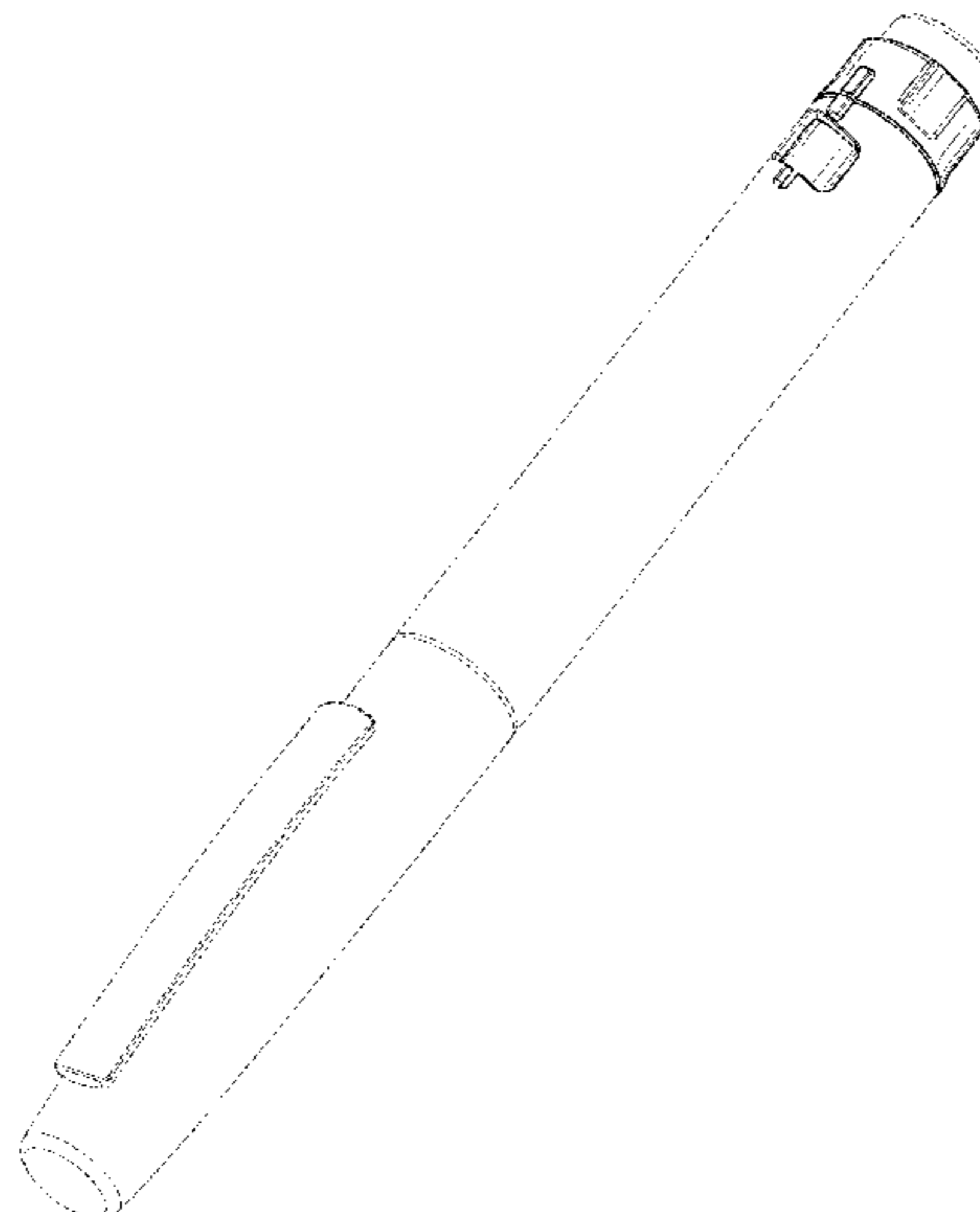
(57) **CLAIM**

We claim the ornamental design for a medicament delivery device, as shown and described.

DESCRIPTION

FIG. 1 is a top plan view of the claimed design;
FIG. 2 is a front elevation view thereof;
FIG. 3 is a right side elevation view thereof;
FIG. 4 is a bottom elevation view thereof;
FIG. 5 is a bottom perspective view thereof; and,
FIG. 6 is a perspective view thereof.
The ornamental design which is claimed is shown in solid lines in the drawings. The broken line showing of medicament delivery device is included for the purpose of illustrating portions of the “article” and forms no part of the claimed design.

1 Claim, 6 Drawing Sheets



(56)

References Cited

U.S. PATENT DOCUMENTS

4,936,833 A 6/1990 Sams
 4,968,299 A 11/1990 Ahlstrand et al.
 5,092,842 A 3/1992 Bechtold et al.
 5,104,380 A 4/1992 Holman et al.
 5,112,317 A 5/1992 Michel
 5,279,585 A 1/1994 Balkwill
 5,304,152 A 4/1994 Sams
 5,674,204 A 10/1997 Chanoch
 5,743,889 A 4/1998 Sams
 5,921,966 A 7/1999 Bendek et al.
 5,957,896 A 9/1999 Bendek et al.
 6,221,046 B1 4/2001 Burroughs et al.
 D492,027 S * 6/2004 Tyce D19/167
 D501,253 S * 1/2005 Bainton D19/164
 D540,465 S * 4/2007 Bainton D24/114
 7,905,867 B2 3/2011 Veasey et al.
 D676,548 S * 2/2013 Pala D24/113
 D688,790 S * 8/2013 Guarraia D24/113
 D688,791 S * 8/2013 Guarraia D24/113
 8,512,297 B2 8/2013 Veasey et al.
 D696,771 S * 12/2013 Schneider D24/113
 D703,314 S * 4/2014 Schneider D24/113

8,740,860 B2 6/2014 Theucher
 D716,442 S 10/2014 Magome et al.
 D717,428 S 11/2014 Sendatzki et al.
 8,926,570 B2 1/2015 Chung
 D743,538 S 11/2015 Sanders et al.
 D746,444 S 12/2015 Jones
 D752,210 S * 3/2016 Amend Kwasnik D24/113
 D773,038 S * 11/2016 Tanner D24/113
 D773,646 S * 12/2016 Amend Kwasnik D24/113
 2015/0080807 A1 * 3/2015 Schneider A61M 5/20
 604/189
 2015/0356273 A1 * 12/2015 Cave A61M 5/24
 705/2

OTHER PUBLICATIONS

U.S. Appl. No. 29/567,885, filed Jun. 13, 2016, Chuvashova et al.
 U.S. Appl. No. 29/567,881, filed Jun. 13, 2016, Chuvashova, Natalia.
 U.S. Appl. No. 29/567,882, filed Jun. 13, 2016, Chuvashova, Natalia.
 International Search Report & Written Opinion dated Feb. 18, 2016 in Int'l PCT Patent Application Serial No. PCT/EP2015/077139.

* cited by examiner

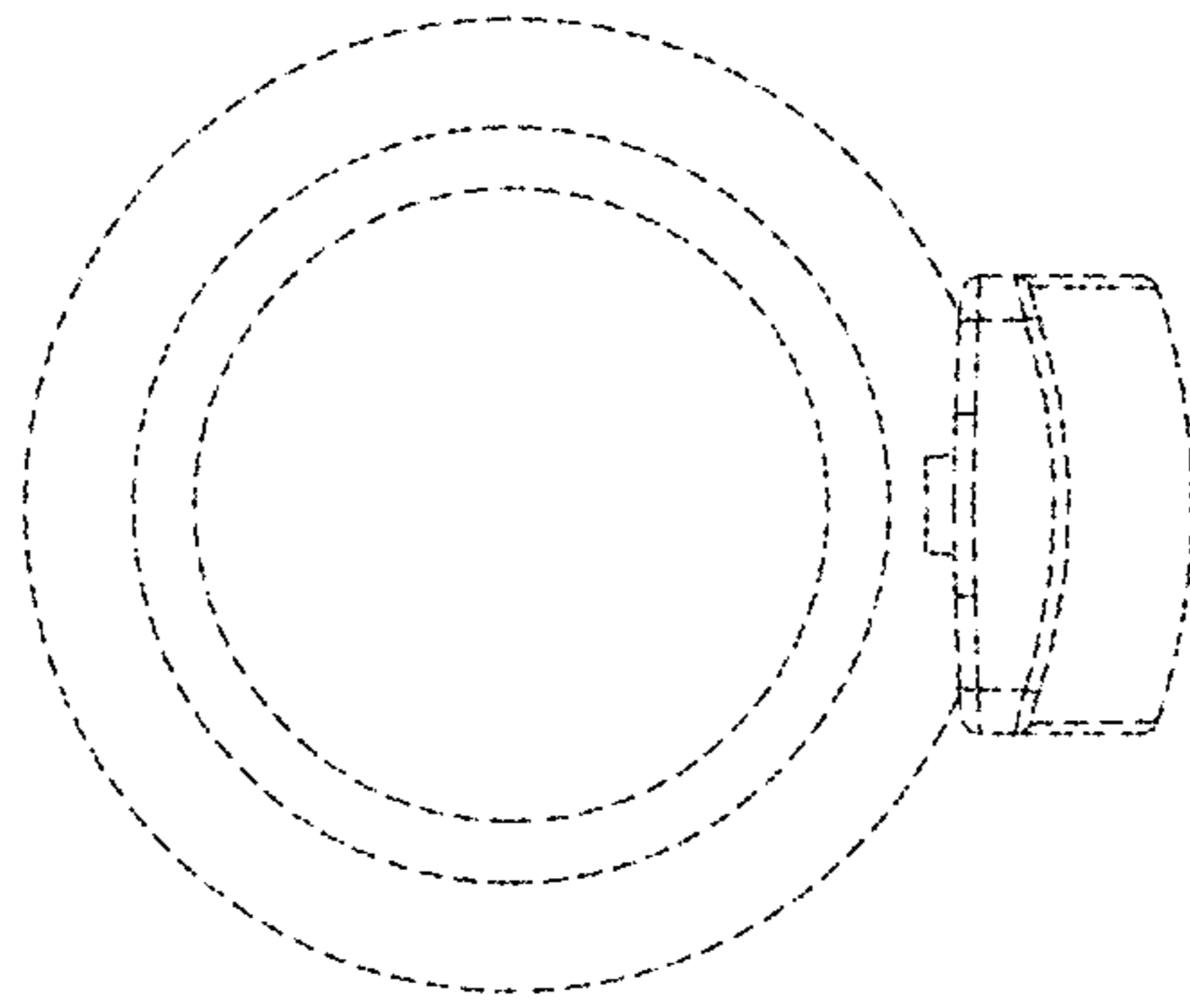


FIG. 1

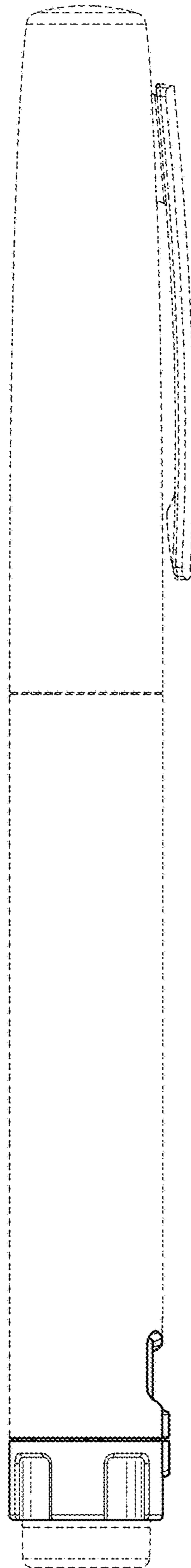


FIG. 2

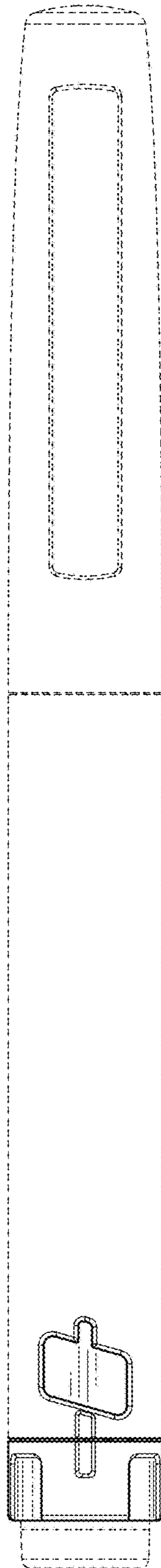


FIG. 3

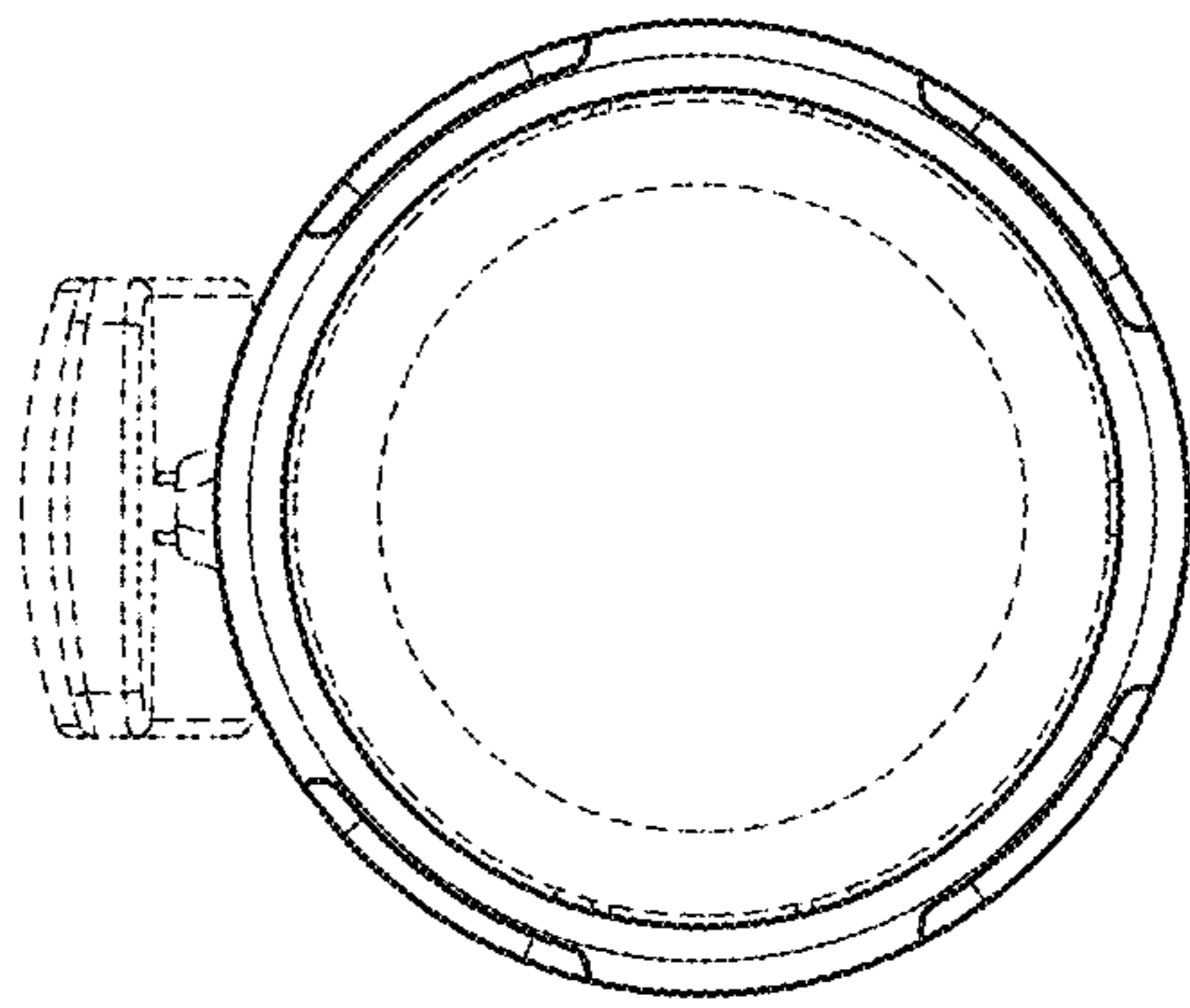


FIG. 4

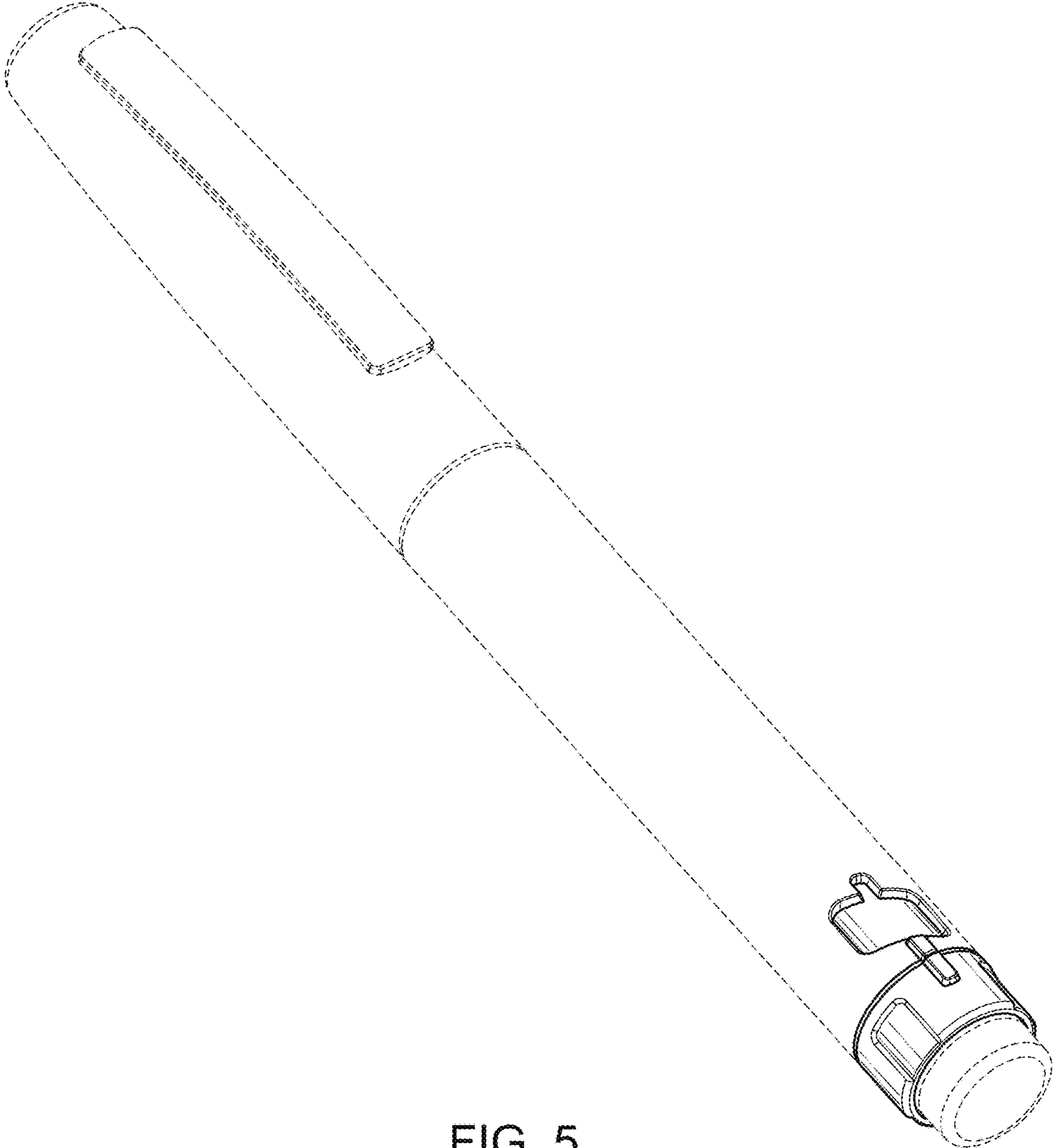


FIG. 5

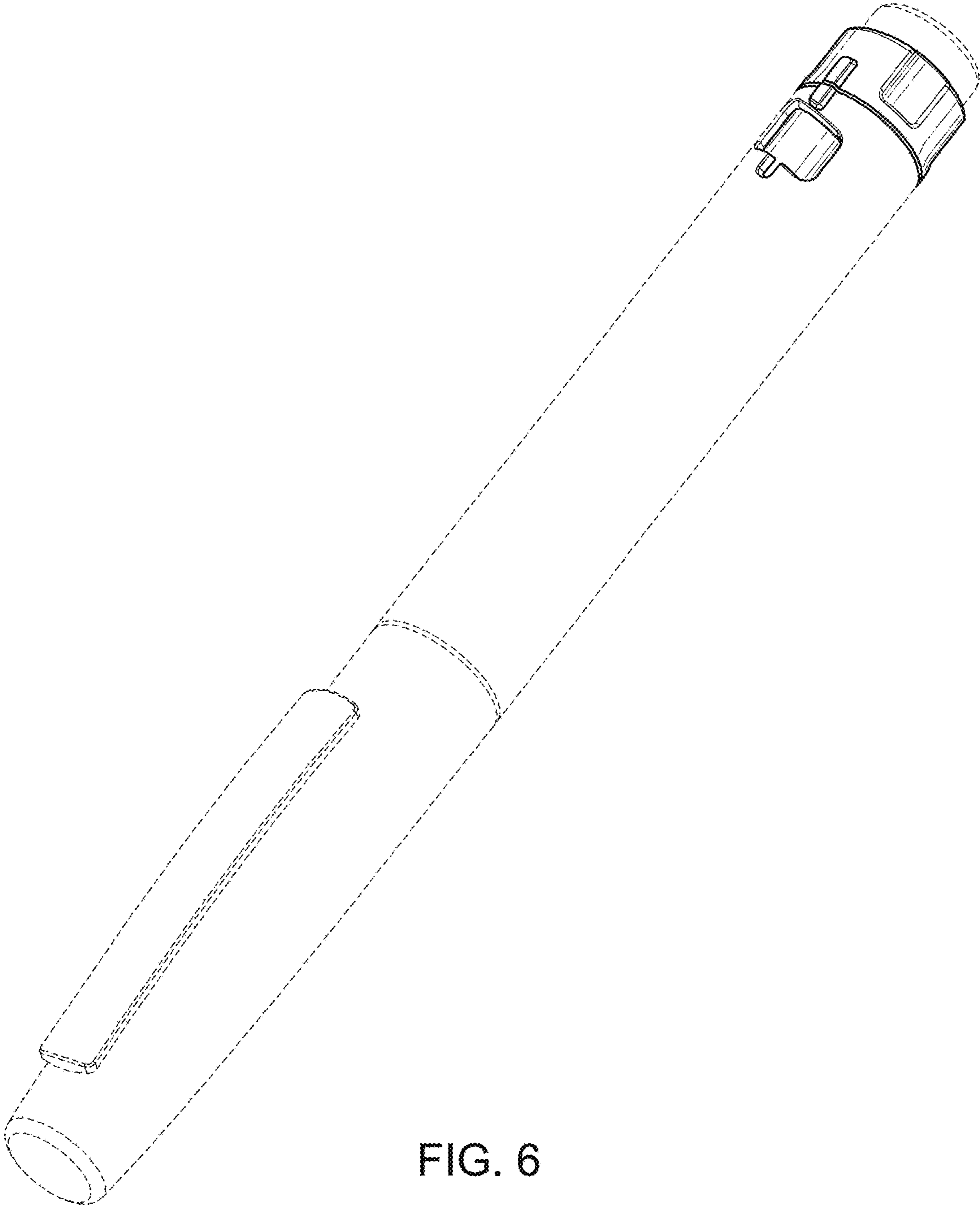


FIG. 6