



US00D803391S

(12) **United States Design Patent** (10) **Patent No.:** **US D803,391 S**
Reese et al. (45) **Date of Patent:** **** Nov. 21, 2017**

- (54) **MEDICAL FACE MASK**
- (71) Applicant: **Prestige Ameritech, Ltd.**, North Richland Hills, TX (US)
- (72) Inventors: **Rex D. Reese**, North Richland Hills, TX (US); **George D. Reese**, North Richland Hills, TX (US); **Michael L. Bowen**, North Richland Hills, TX (US)
- (73) Assignee: **Prestige Ameritech, Ltd.**, North Richland Hills, TX (US)
- (**) Term: **15 Years**
- (21) Appl. No.: **29/570,343**
- (22) Filed: **Jul. 7, 2016**
- (51) **LOC (10) Cl.** **29-02**
- (52) **U.S. Cl.**
USPC **D24/110.1**
- (58) **Field of Classification Search**
USPC D24/110.1–110.2; D29/108–110
CPC A62B 18/025; A62B 23/025; A41D 13/11; A41D 13/1107; A41D 13/1115; A41D 13/113; A41D 13/1161
See application file for complete search history.

- (56) **References Cited**
U.S. PATENT DOCUMENTS
D219,082 S * 10/1970 Bird D24/110.1
3,613,678 A * 10/1971 Mayhew A41D 13/1115
128/206.19
3,971,369 A * 7/1976 Aspelin A41D 13/1115
128/206.19
3,985,132 A * 10/1976 Boyce A41D 13/1115
128/206.19
4,300,549 A * 11/1981 Parker A41D 13/1115
128/206.12
4,323,063 A 4/1982 Fisichella
4,802,473 A * 2/1989 Hubbard A41D 13/1115
128/206.13

- 4,920,960 A * 5/1990 Hubbard A41D 13/1115
128/206.12
- 5,561,863 A 10/1996 Carlson, II
- 5,636,628 A * 6/1997 Barnum A41D 13/1115
128/206.12

(Continued)

Primary Examiner — Barbara Fox
Assistant Examiner — Lilyana Bekic
(74) *Attorney, Agent, or Firm* — BKDowd Law, P.C.;
Betsy Kingsbury Dowd, Esq.

(57) **CLAIM**

The ornamental design for a medical face mask, as shown and described.

DESCRIPTION

FIG. 1 is a front, left perspective view of a medical face mask depicting our new design;
 FIG. 2 is a front view of the medical face mask depicted in FIG. 1;
 FIG. 3 is a back view of the medical face mask depicted in FIG. 1;
 FIG. 4 is a bottom view of the medical face mask depicted in FIG. 1, the top view being a mirror image of the bottom view;
 FIG. 5 is a left end view of the medical face mask depicted in FIG. 1;
 FIG. 6 is a right end view of the medical face mask depicted in FIG. 1; and,
 FIG. 7 is a front left perspective view of the medical face mask depicted in FIG. 1 in an open configuration as worn by a user.

The broken line in FIGS. 1 and 7 showing of the straps and the broken line showing of the human head in FIG. 7 depict the environment of the medical face mask and form no part thereof.

The elongated hexagon-shaped portion of the face mask shown in FIGS. 1, 2 and 7 and partially shown in FIG. 3 has a transparent or clear surface.

1 Claim, 5 Drawing Sheets

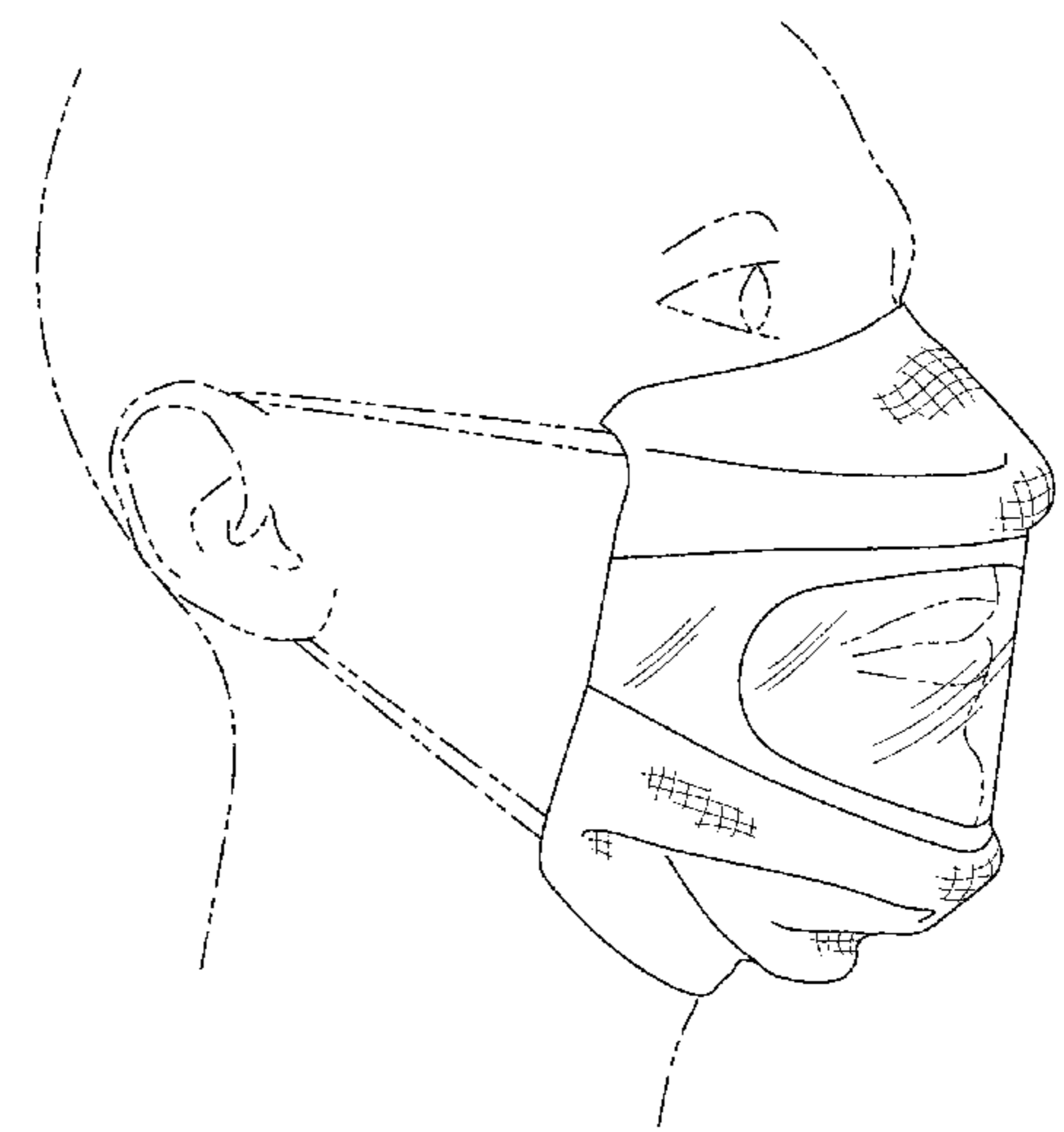
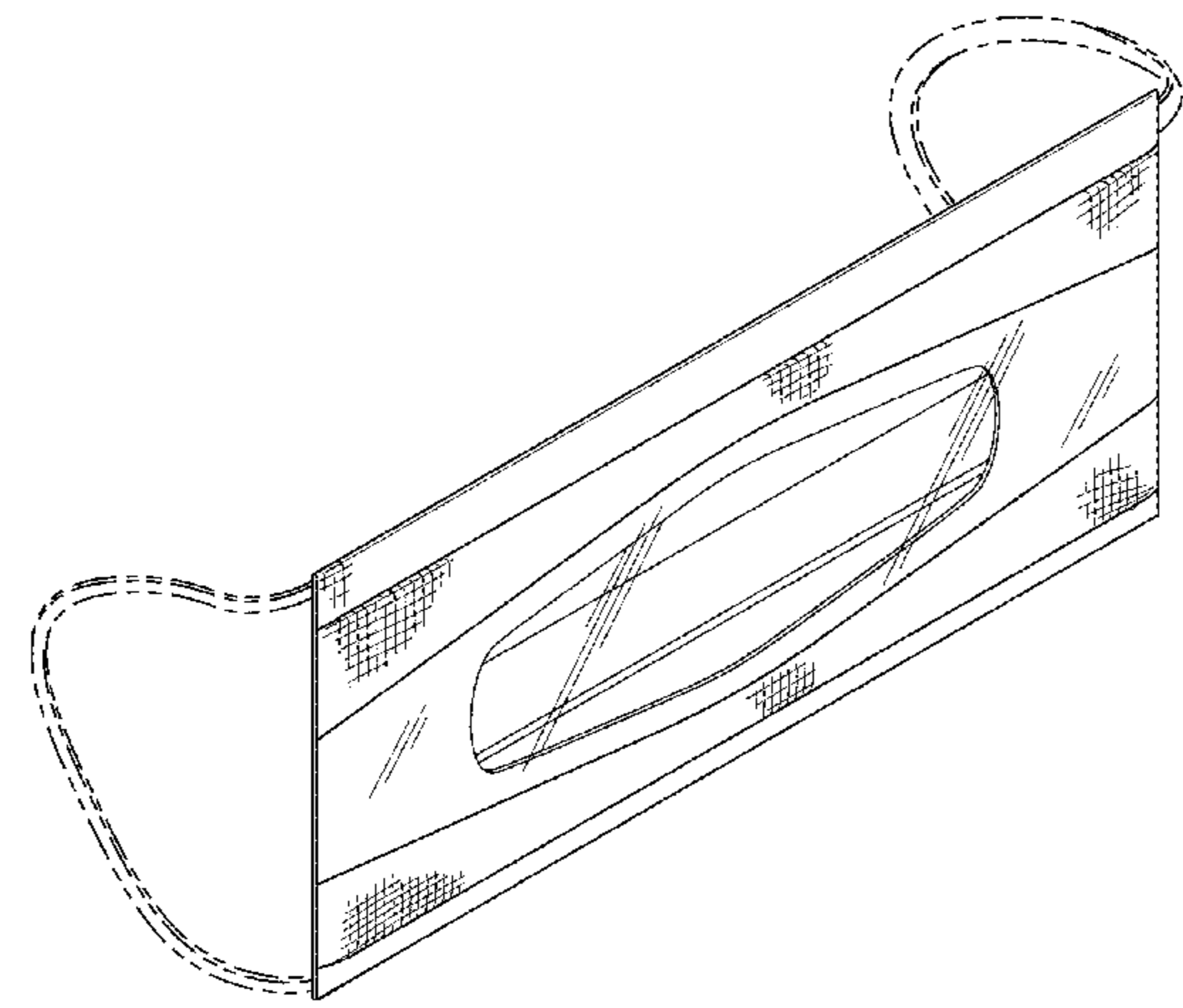


Fig. 1

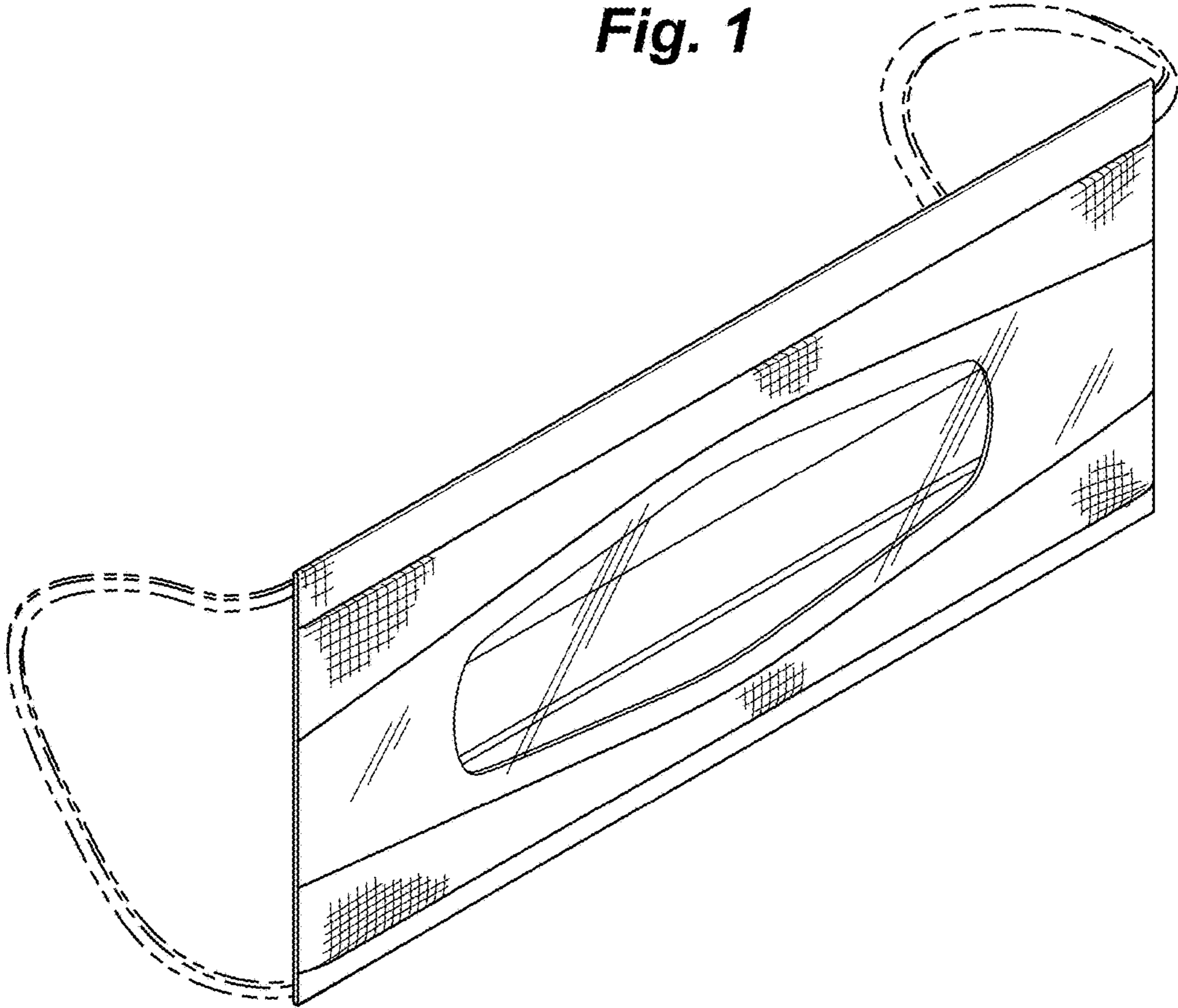


Fig. 2

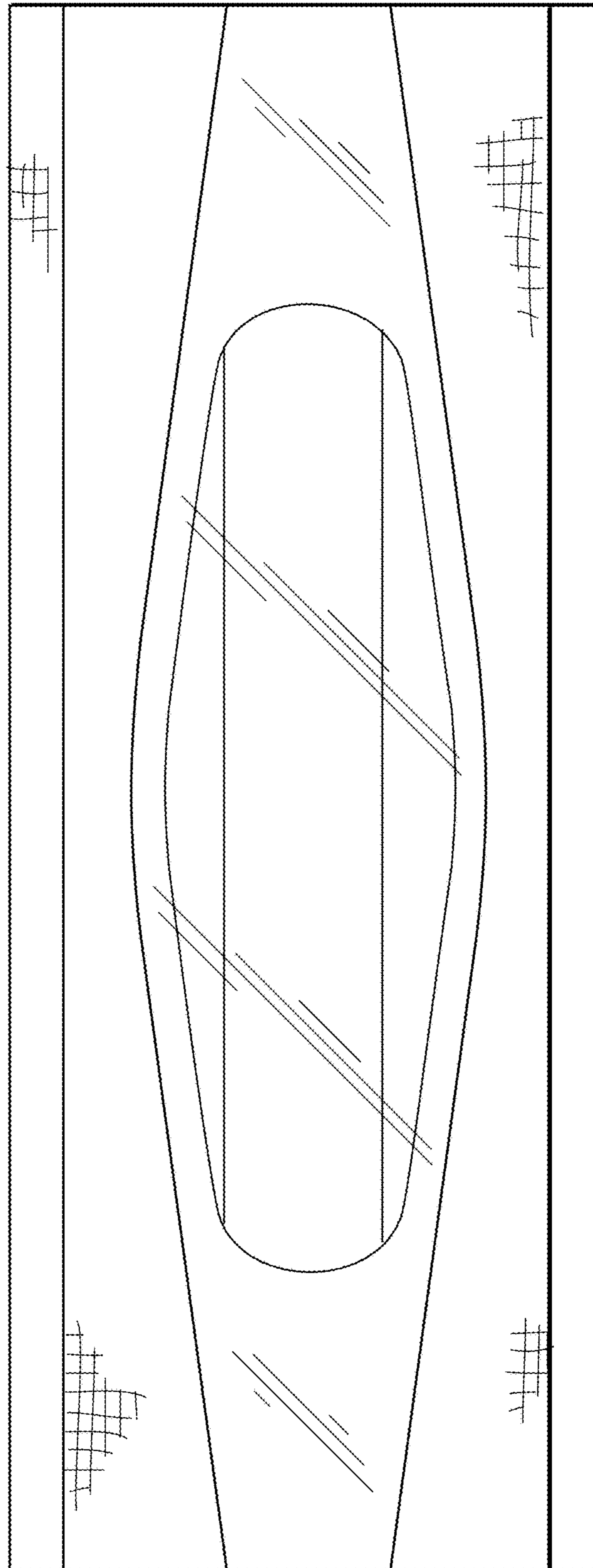


Fig. 3

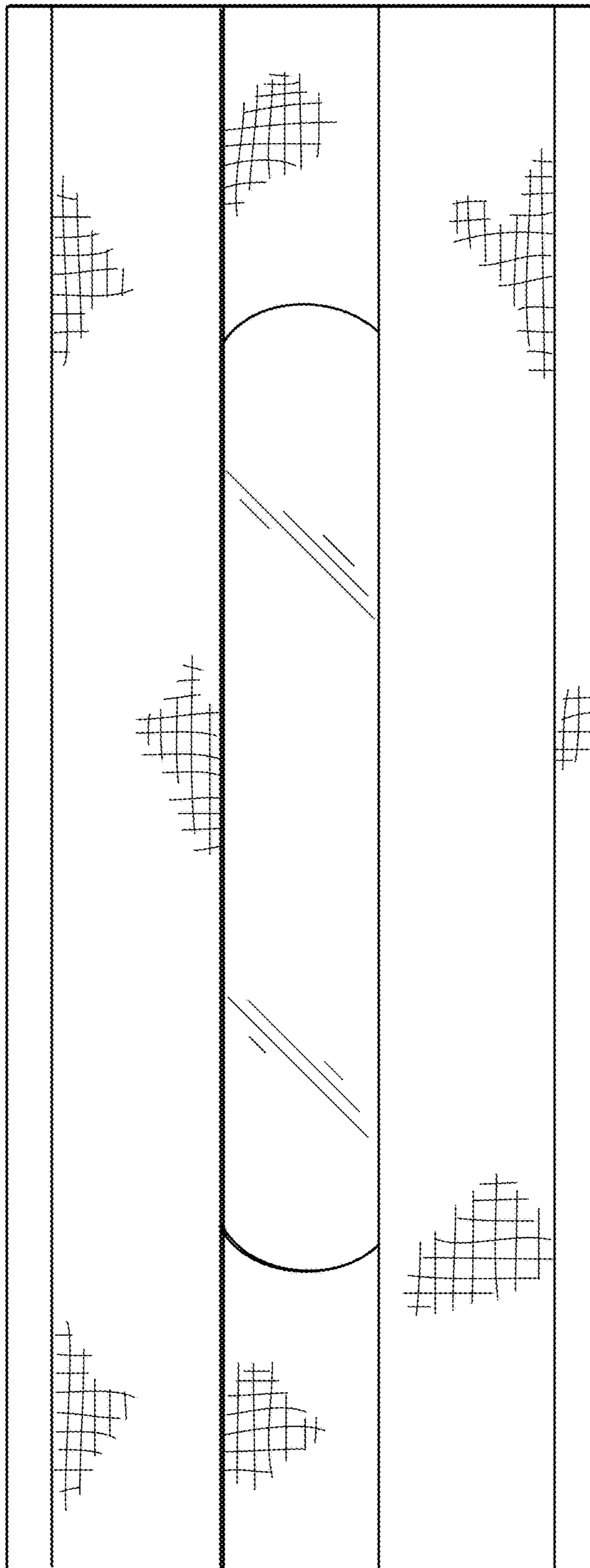


Fig. 4



Fig. 6

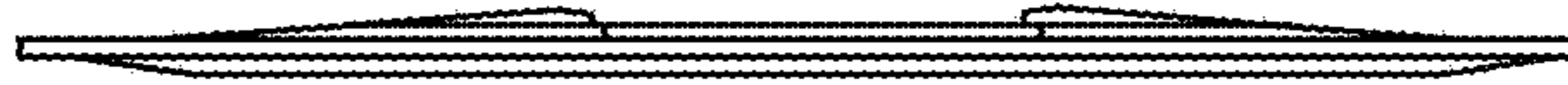


Fig. 5

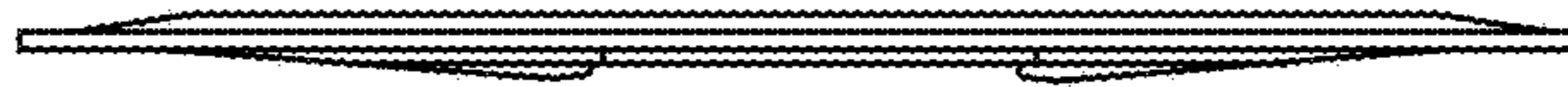


Fig. 7

