



US00D803389S

(12) **United States Design Patent**
Pratley et al.

(10) **Patent No.:** **US D803,389 S**

(45) **Date of Patent:** **** Nov. 21, 2017**

(54) **REMOVABLE COVER FOR A RESPIRATORY MASK**

(71) Applicant: **JSP Ltd**, Oxford (GB)

(72) Inventors: **David Lee Pratley**, Oxford (GB);
Richard James Fleming, Oxford (GB);
Tom Malloy, Oxford (GB)

(73) Assignee: **JSP LTD**, Oxford (GB)

(**) Term: **14 Years**

(21) Appl. No.: **29/525,772**

(22) Filed: **May 1, 2015**

(30) **Foreign Application Priority Data**

Jan. 14, 2015 (EM) 002612358

(51) **LOC (10) Cl.** **29-02**

(52) **U.S. Cl.**
USPC **D24/110.1; D24/127**

(58) **Field of Classification Search**
USPC D24/110.1-110.4, 127, 162; D29/108,
D29/122; D12/197, 607
CPC A62B 23/02; A62B 7/10; A62B 18/025;
A62B 18/08; A62B 18/02; A62B 9/00;
A62B 18/084; A62B 18/00; A62B 18/10;
A61M 16/06

See application file for complete search history.

(56) **References Cited**

U.S. PATENT DOCUMENTS

D289,919 S *	5/1987	O'Neil, Jr.	D23/366
D421,116 S *	2/2000	Mattila	D24/110
D477,554 S *	7/2003	Keefer	D12/197
D503,667 S *	4/2005	Keefer	D12/197
D566,640 S *	4/2008	Holz	D12/197
D585,129 S *	1/2009	Huang	D23/366
D684,256 S *	6/2013	Menezes	D24/110
D756,280 S *	5/2016	Davito	D12/197
D764,656 S *	8/2016	Skov	D24/110.1

D782,120 S *	3/2017	Patel	D29/122
2011/0220108 A1 *	9/2011	Persson	A61M 16/0468 128/205.29
2014/0261437 A1 *	9/2014	Catanzarite	A62B 23/02 128/206.17

(Continued)

OTHER PUBLICATIONS

Force 8 Half-Mask Medium (mask only). JSP. Date accessed: Mar. 29, 2017. <<https://www.jsp.co.uk/...respiratory-protection/force-8-half-mask-respirator/force-8-half-mask/force-8-half-mask-medium-mask-only/-/bht003-015-000/p/?parm=CAT1JSP&prdcod=BHT003-0L5-000>>.*

(Continued)

Primary Examiner — Barbara Fox
Assistant Examiner — Lilyana Bekic
(74) *Attorney, Agent, or Firm* — King & Schickli, PLLC

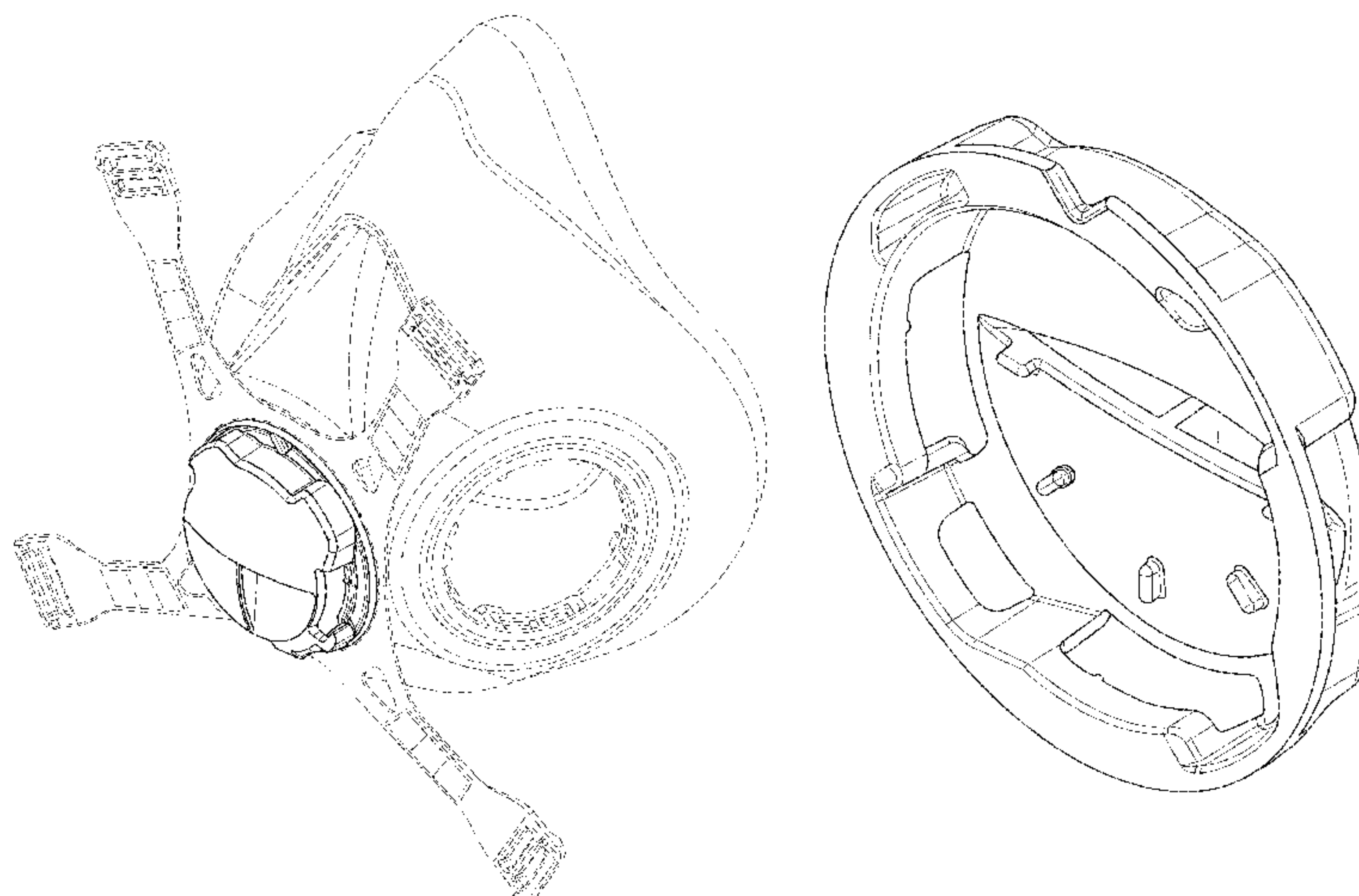
(57) **CLAIM**

The ornamental design for a removable cover for a respiratory mask, as shown.

DESCRIPTION

FIG. 1 is a front perspective view of removable cover for a respiratory mask, shown in the environment of use;
FIG. 2 is a front perspective view of the removable cover for a respiratory mask;
FIG. 3 is a front view thereof;
FIG. 4 is a side view thereof;
FIG. 5 is a top view thereof;
FIG. 6 is bottom view thereof;
FIG. 7 is a rear view thereof; and,
FIG. 8 is a rear perspective view thereof.
The broken line showing of the respiratory mask in FIG. 1 depicts the environment of the claimed design and forms no part thereof. All other broken lines depict portions of the removable cover for a respiratory mask that form no part of the claimed design.

1 Claim, 8 Drawing Sheets



(56)

References Cited

U.S. PATENT DOCUMENTS

2014/0345607 A1* 11/2014 Skov A62B 7/10
128/202.22
2015/0202473 A1* 7/2015 Curran A62B 18/006
128/202.27
2015/0290478 A1* 10/2015 Curran A62B 18/006
128/201.25
2016/0059051 A1* 3/2016 Hansel A62B 18/08
128/201.19

OTHER PUBLICATIONS

Force 8 Half-Mask—Product Overview. JSP Ltd. Youtube. Date
published: Apr. 30, 2014. <[https://www.youtube.com/
watch?v=IQjOnHE9TPo](https://www.youtube.com/watch?v=IQjOnHE9TPo)>.*

* cited by examiner

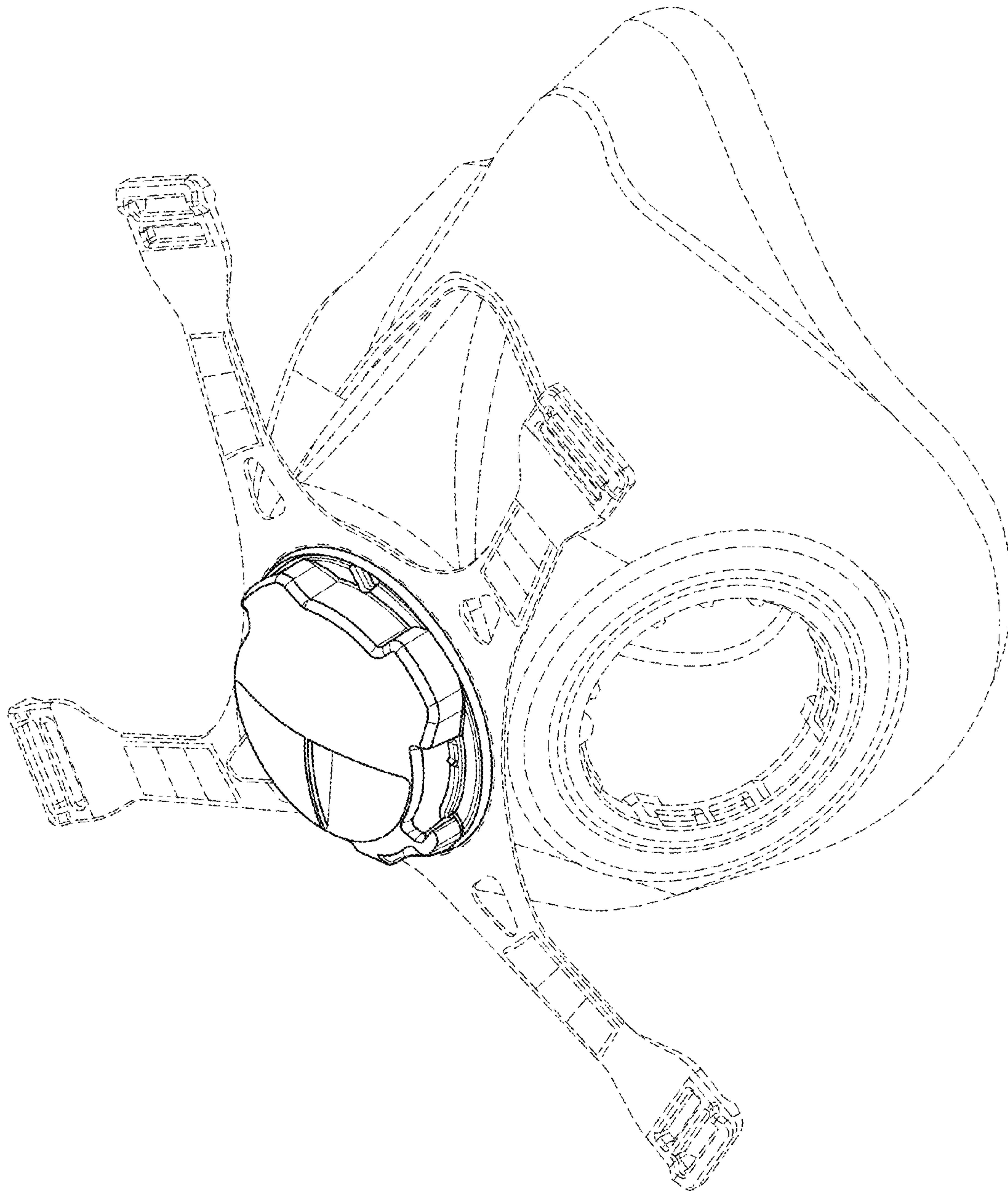


FIG. 1

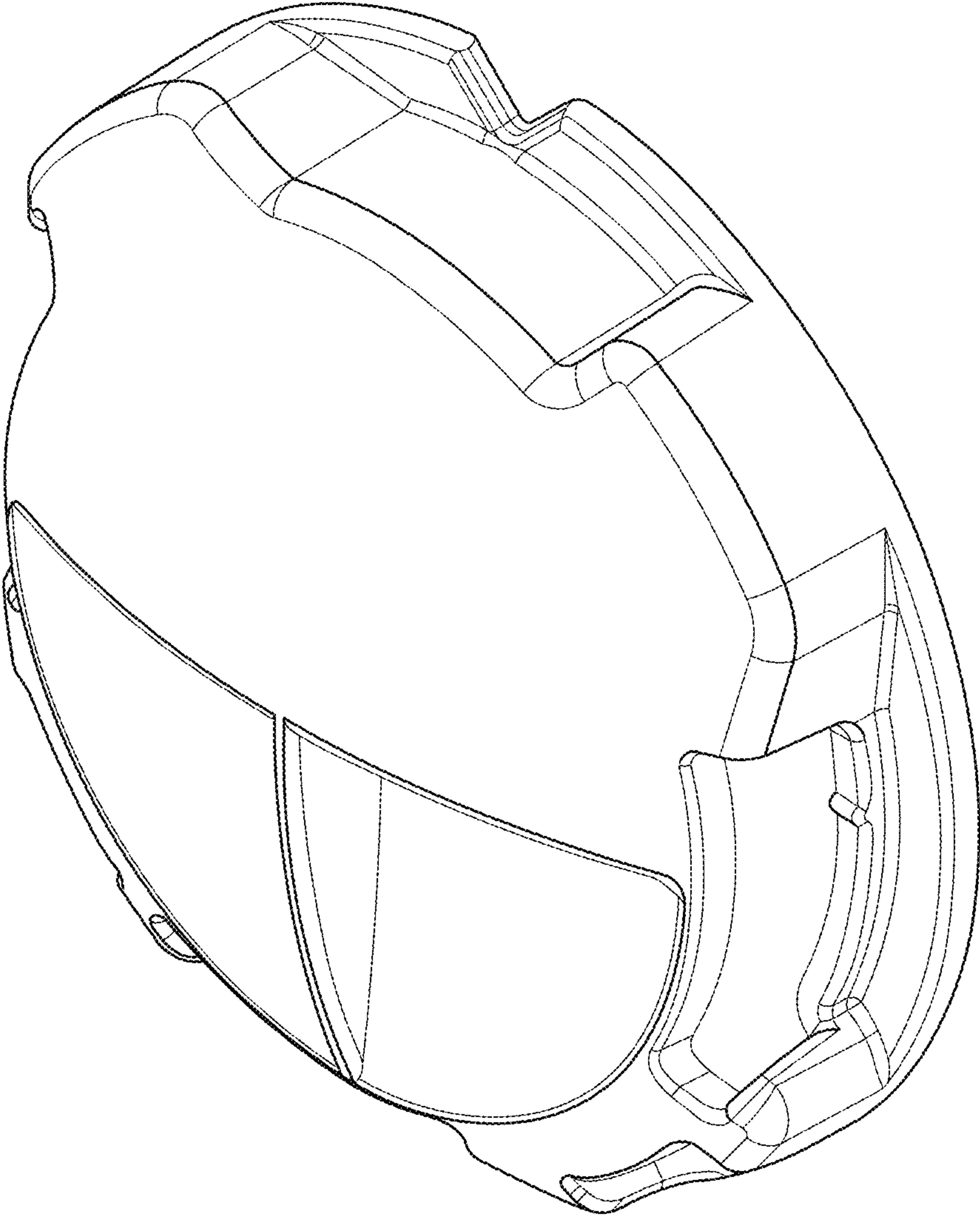


FIG. 2

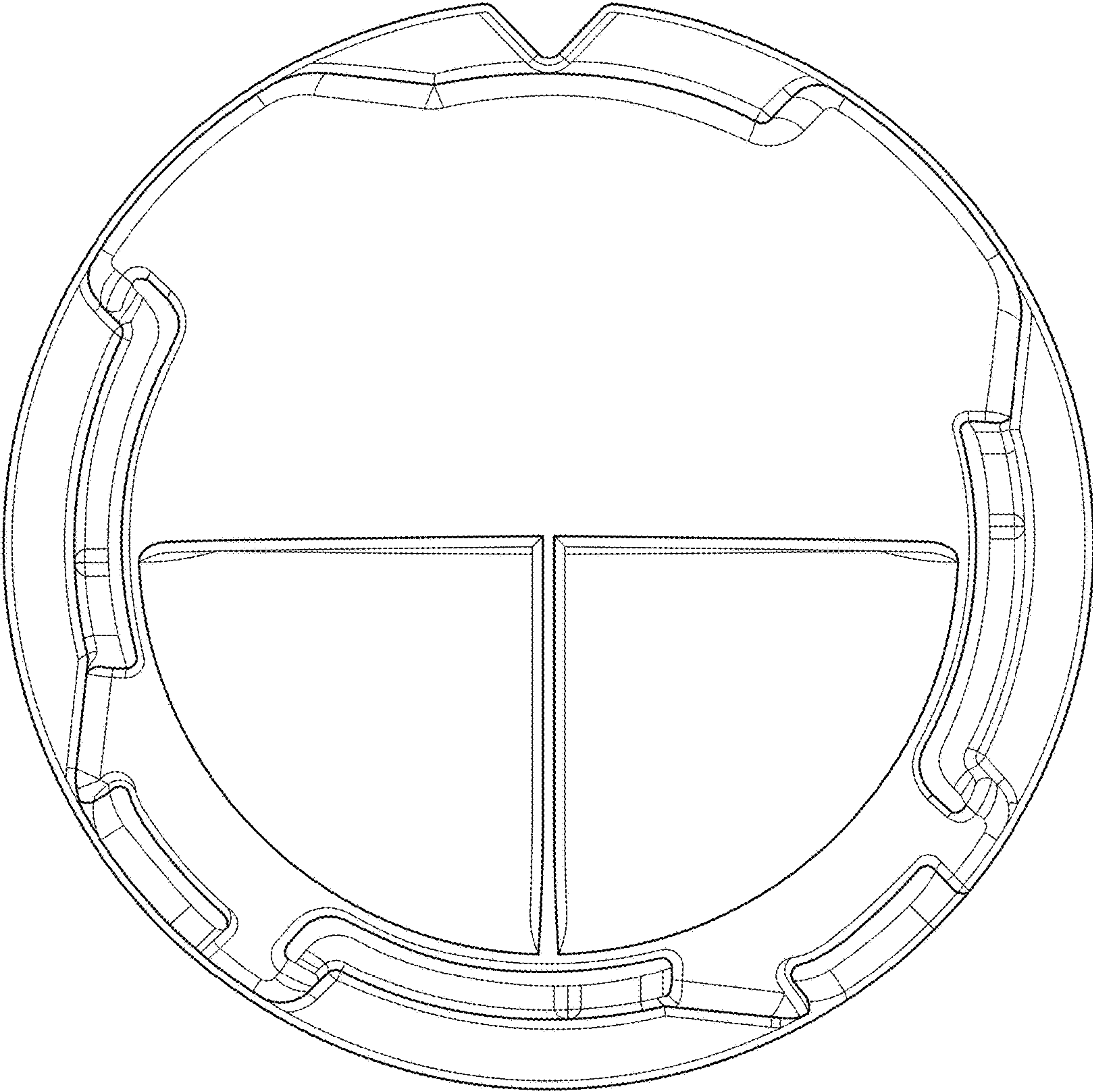


FIG. 3

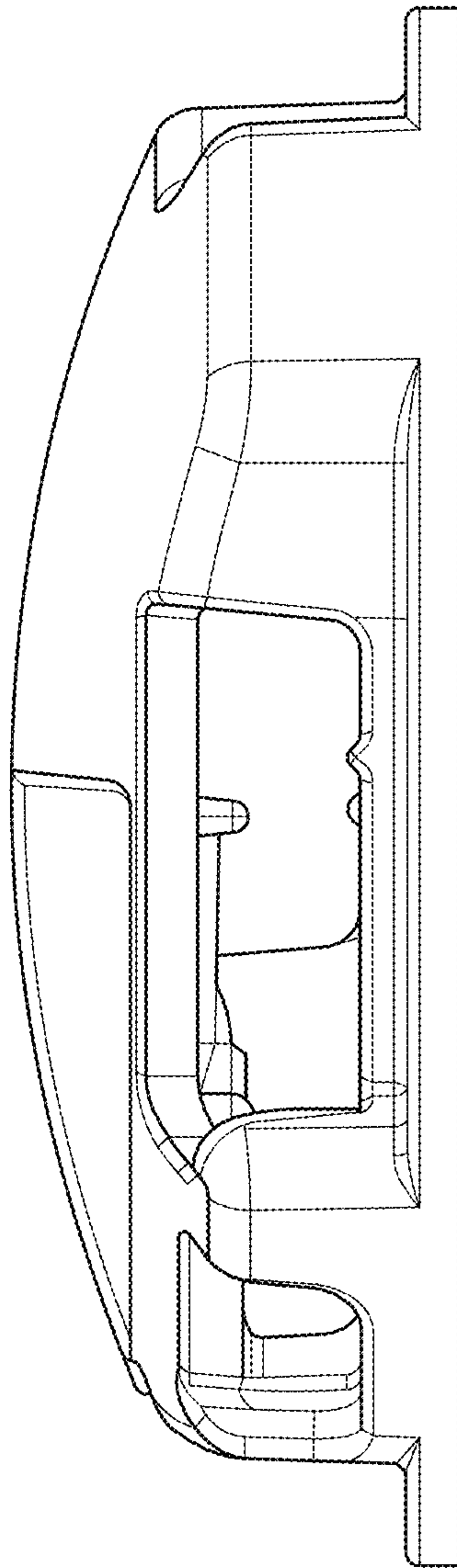


FIG. 4

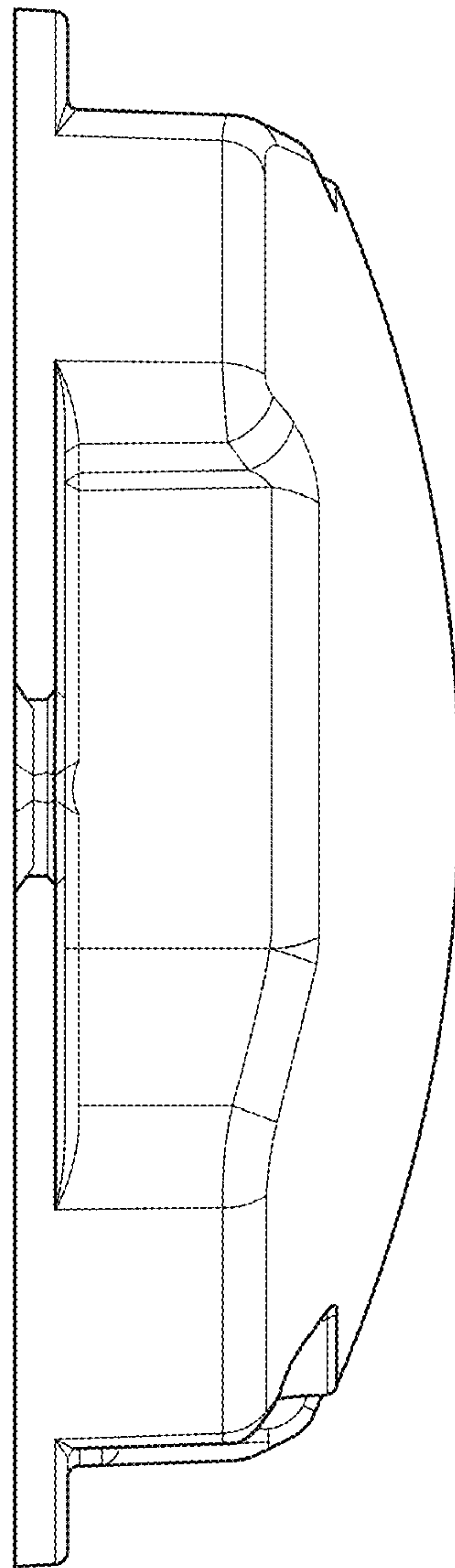


FIG. 5

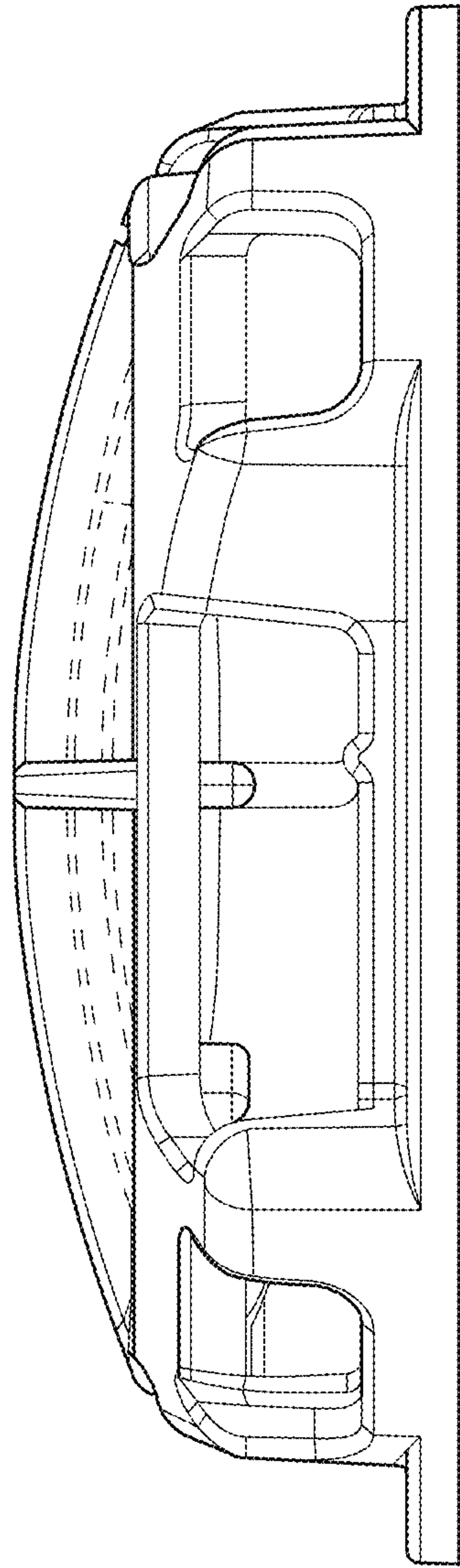


FIG. 6

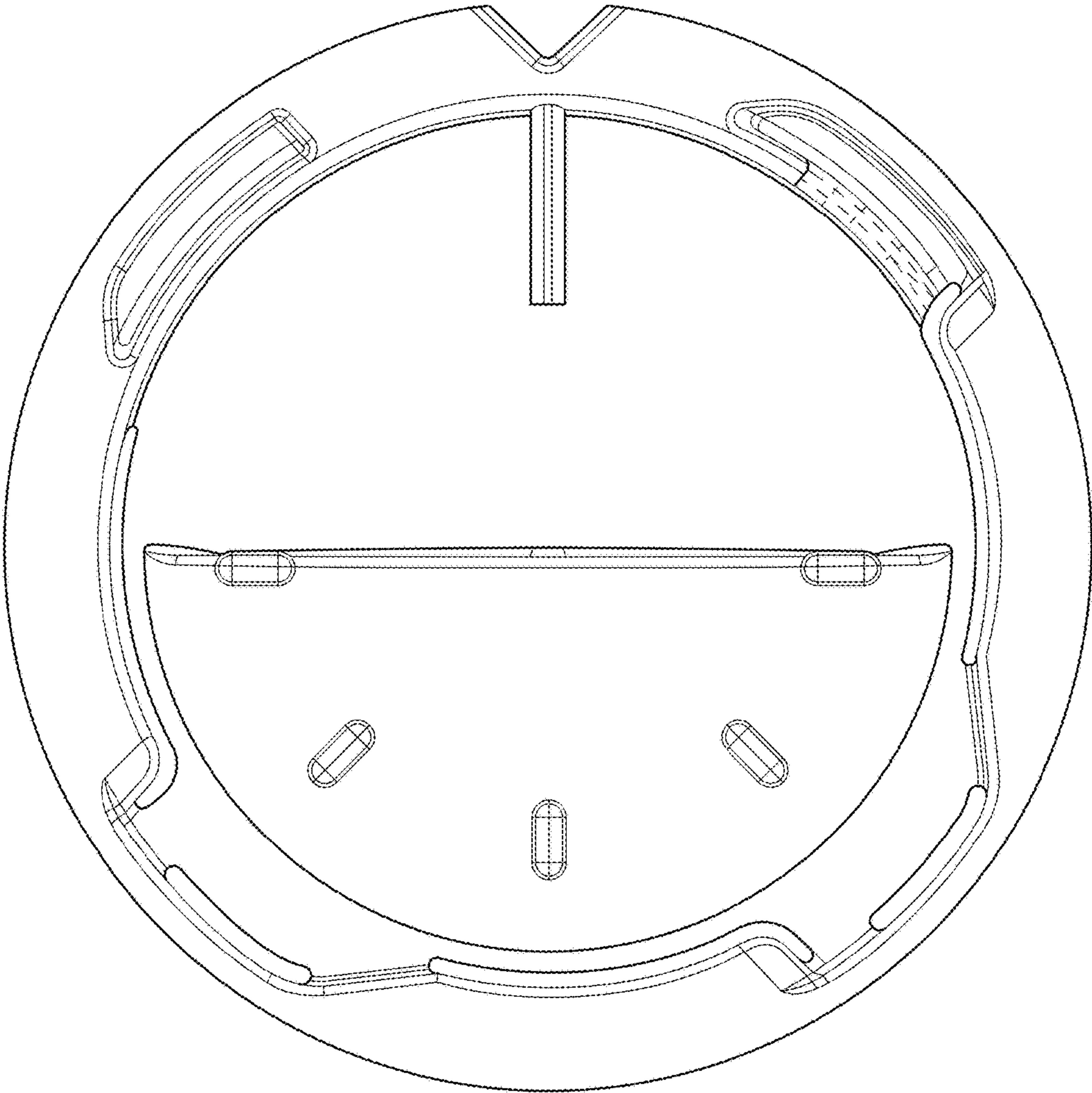


FIG. 7

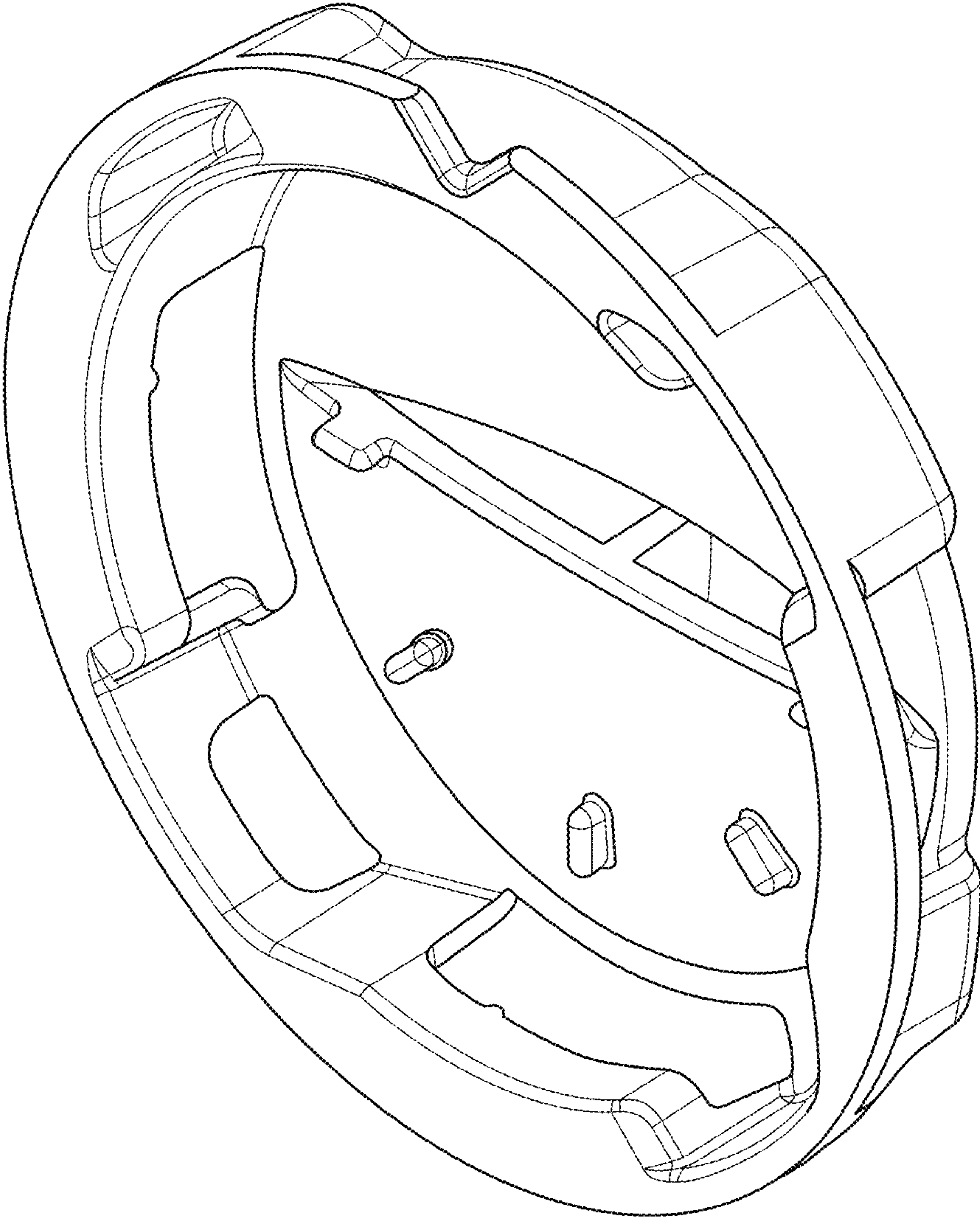


FIG. 8