



US00D803385S

(12) **United States Design Patent**
Wang

(10) **Patent No.:** **US D803,385 S**

(45) **Date of Patent:** **** Nov. 21, 2017**

(54) **CEILING FAN BLADE AND FAN BLADE BRACKET COMBINATION**

(71) Applicant: **AIR COOL INDUSTRIAL CO., LTD.**, Taichung (TW)

(72) Inventor: **Cliff Wang**, Taichung (TW)

(73) Assignee: **AIR COOL INDUSTRIAL CO., LTD.**, Taichung (TW)

(**) Term: **15 Years**

(21) Appl. No.: **29/576,145**

(22) Filed: **Aug. 31, 2016**

(51) **LOC (10) Cl.** **23-04**

(52) **U.S. Cl.**
USPC **D23/413**

(58) **Field of Classification Search**
USPC D23/370, 377, 379, 381, 382, 385, 411, D23/413, 414, 332, 328; D26/59; D8/380, 381
CPC F04D 25/08; F04D 29/388; F04D 29/34; F04D 25/088; H02K 1/187
See application file for complete search history.

(56) **References Cited**

U.S. PATENT DOCUMENTS

5,645,403 A * 7/1997 Bogage F04D 29/38 416/235
D399,949 S * 10/1998 Chou D23/411

D620,099 S * 7/2010 Flores D23/411
D742,500 S * 11/2015 Pan D23/413
D744,084 S * 11/2015 Wang D23/413
D745,658 S * 12/2015 Wang D23/413
D789,510 S * 6/2017 Wang D23/377

* cited by examiner

Primary Examiner — Janice Hallmark

(74) *Attorney, Agent, or Firm* — Pai Patent & Trademark Law Firm; Chao-Chang David Pai

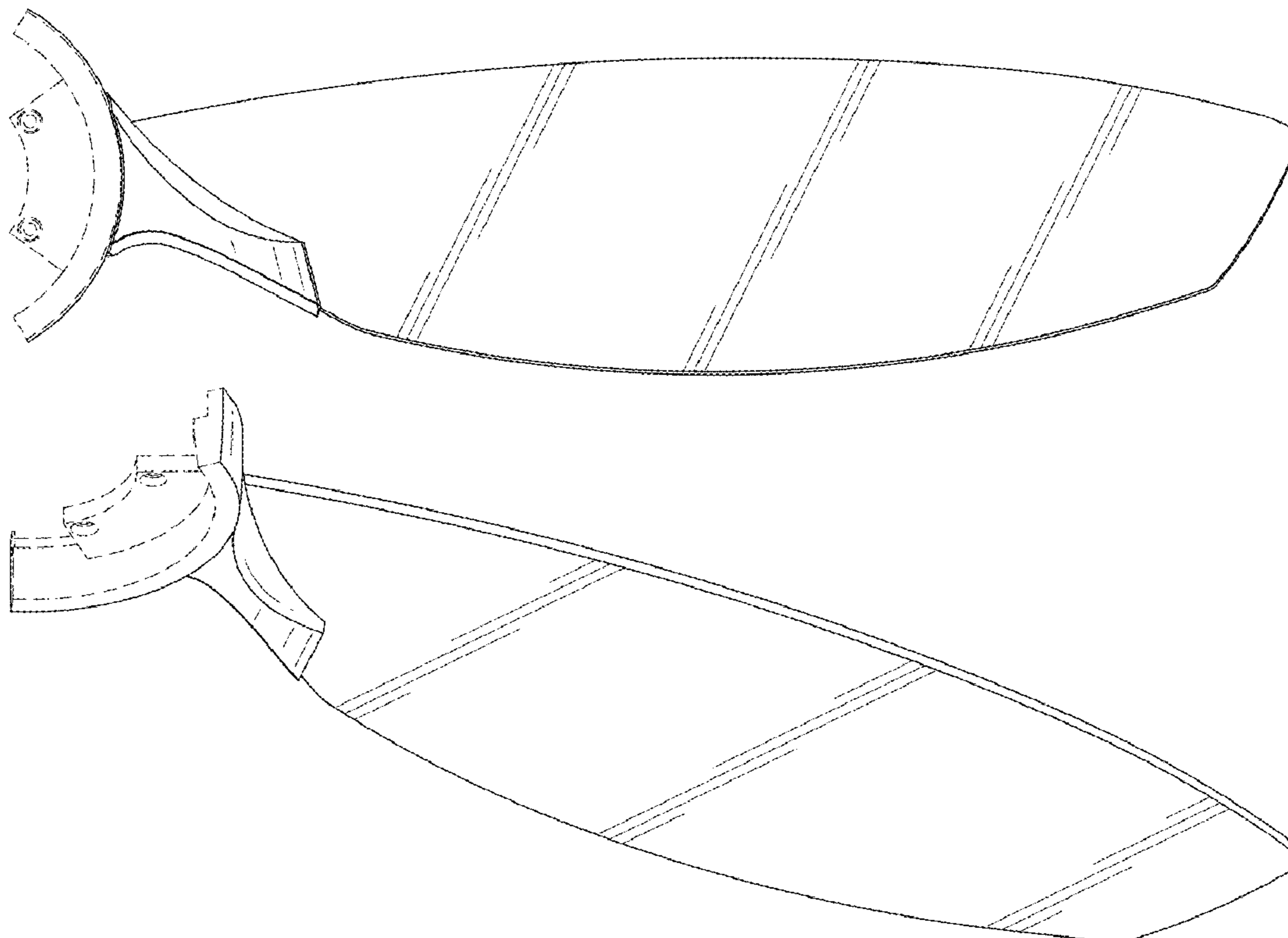
(57) **CLAIM**

The ornamental design for a ceiling fan blade and fan blade bracket combination, as shown and described.

DESCRIPTION

FIG. 1 is a front top perspective view of a ceiling fan blade and fan blade bracket combination showing my new design; FIG. 2 is a front elevational view thereof; FIG. 3 is a rear elevational view thereof; FIG. 4 is a left side elevational view thereof; FIG. 5 is a right side elevational view thereof; FIG. 6 is a top plan view thereof; FIG. 7 is a bottom plan view thereof; and, FIG. 8 is a front bottom perspective view thereof. The broken lines are for the purpose of illustrating environmental structure and form no part of the claimed design.

1 Claim, 5 Drawing Sheets



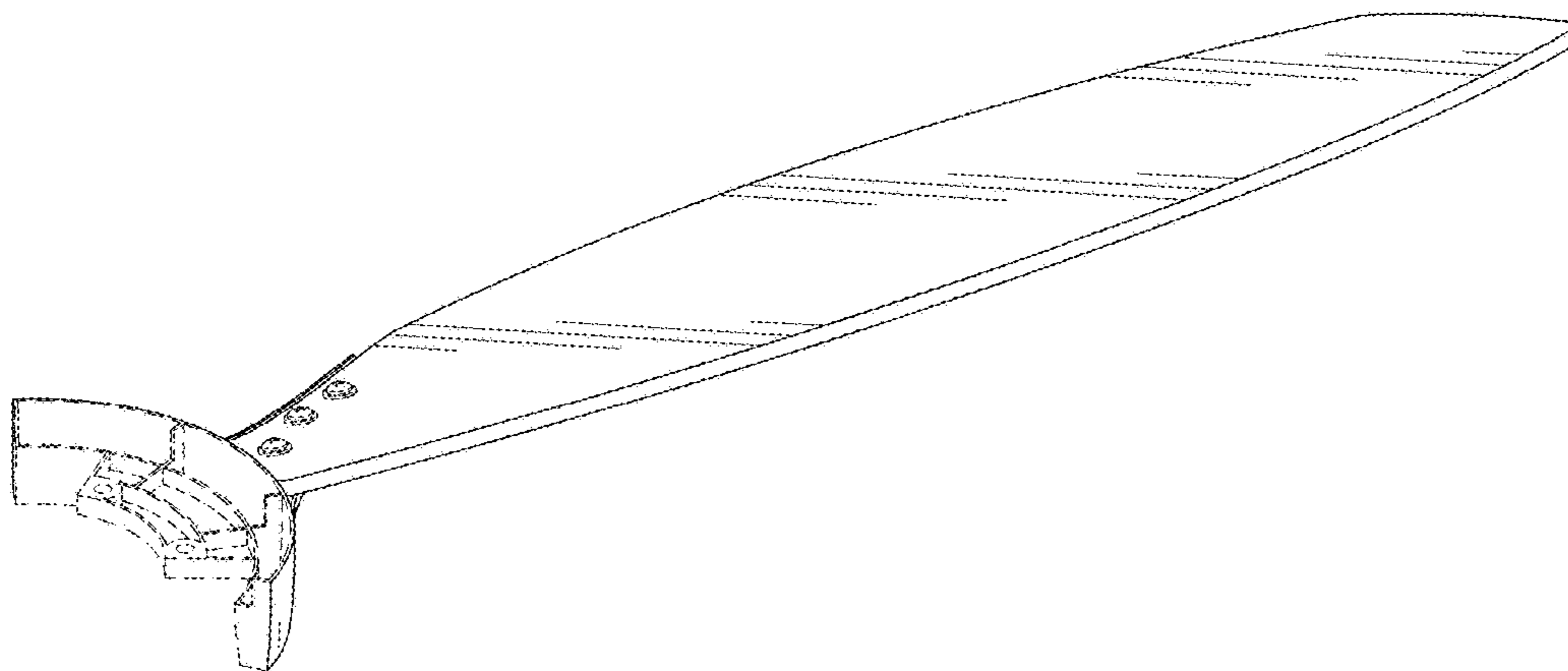


FIG. 1



FIG. 2

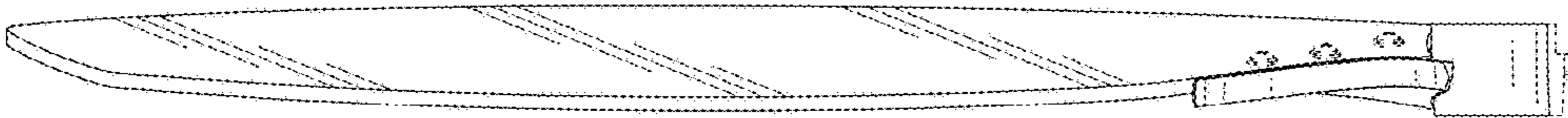


FIG. 3

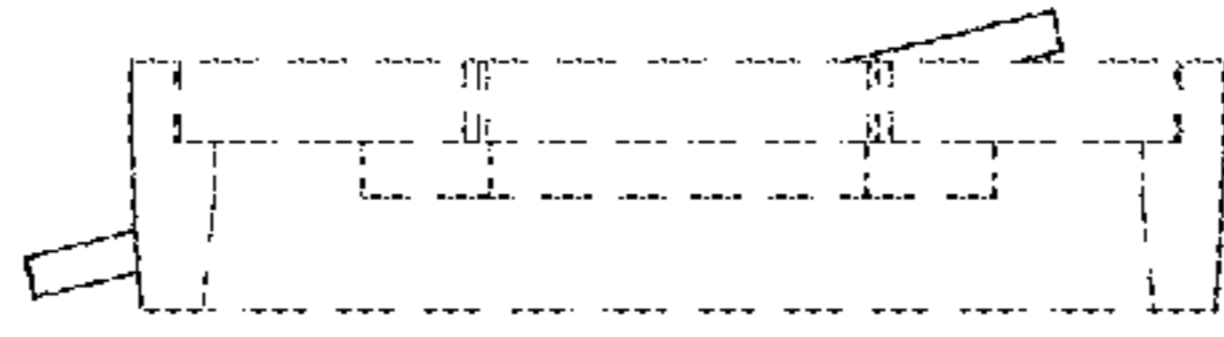


FIG. 4

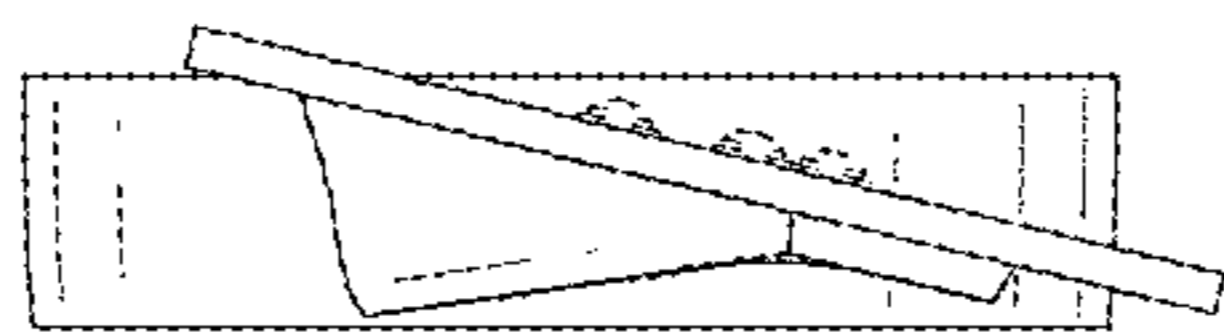


FIG. 5

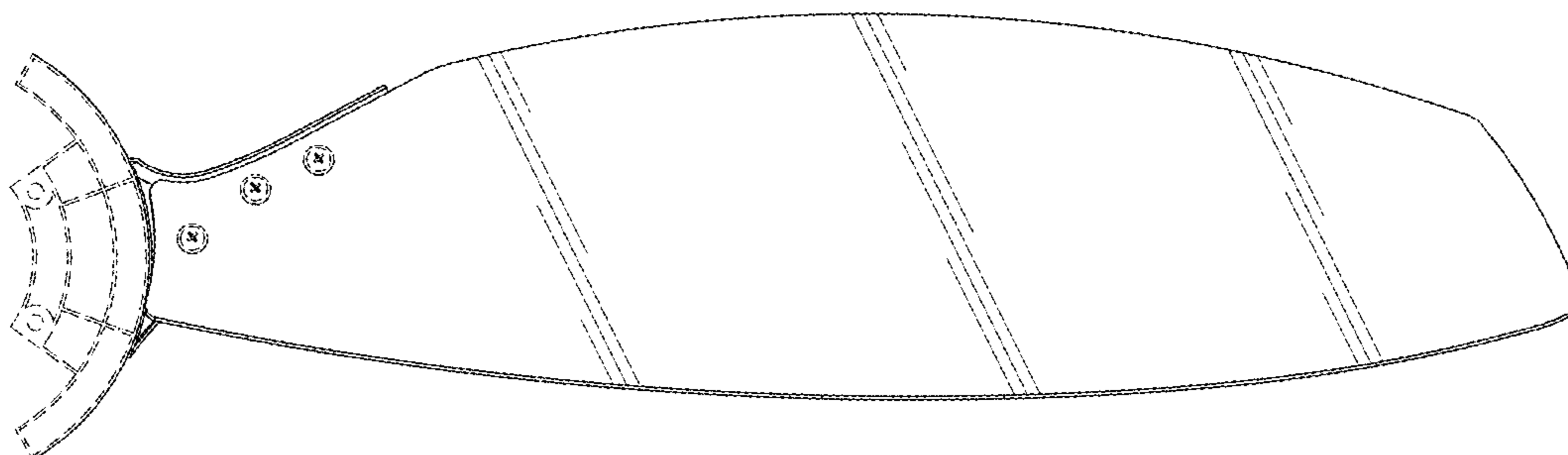


FIG. 6

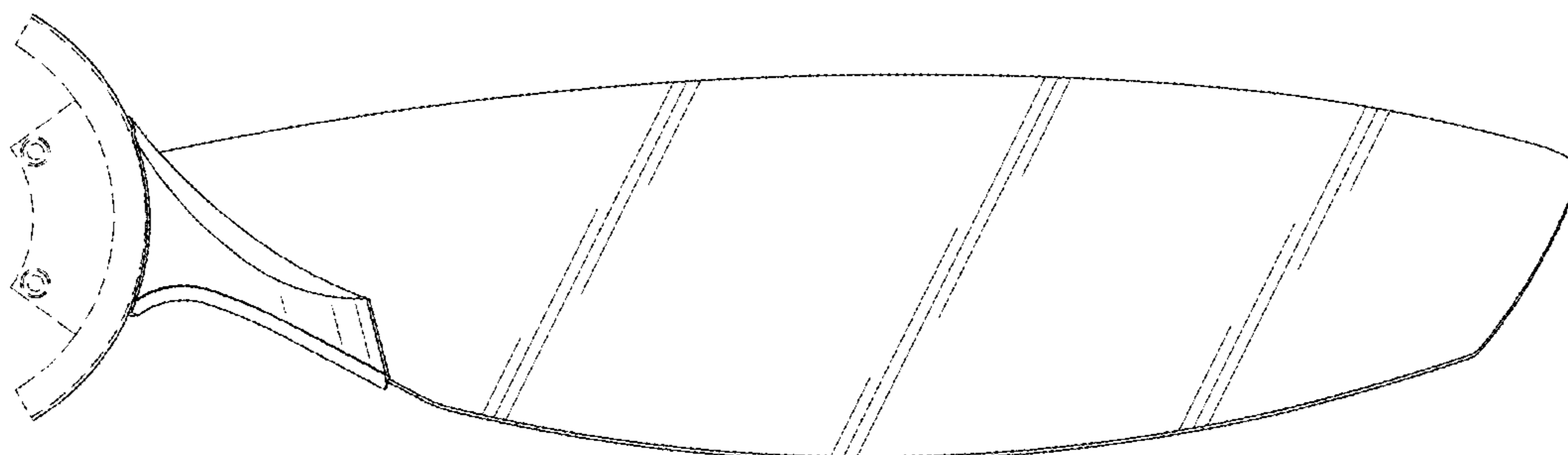


FIG. 7

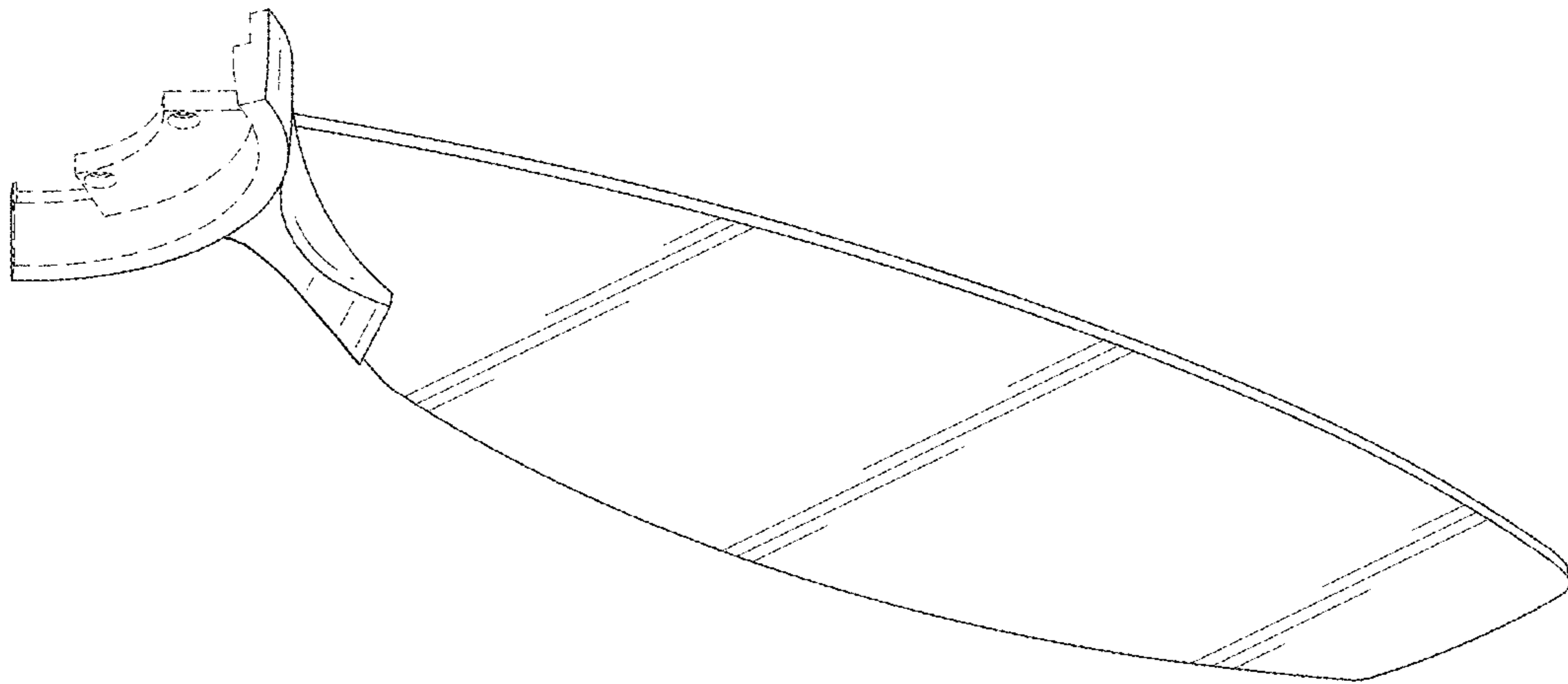


FIG. 8