



US00D803384S

(12) **United States Design Patent**  
**Wang**

(10) **Patent No.:** **US D803,384 S**

(45) **Date of Patent:** **\*\* Nov. 21, 2017**

(54) **CEILING FAN MOTOR HOUSING**

(71) Applicant: **AIR COOL INDUSTRIAL CO., LTD.**, Taichung (TW)

(72) Inventor: **Cliff Wang**, Taichung (TW)

(73) Assignee: **AIR COOL INDUSTRIAL CO., LTD.**, Taichung (TW)

(\*\*) Term: **15 Years**

(21) Appl. No.: **29/584,234**

(22) Filed: **Nov. 12, 2016**

(51) **LOC (10) Cl.** ..... **23-04**

(52) **U.S. Cl.**  
USPC ..... **D23/411**

(58) **Field of Classification Search**  
USPC ..... D23/370, 377, 379, 385, 411, 413;  
D26/59  
CPC ..... H02K 1/187; F04D 25/08; F04D 29/388;  
F04D 29/34; F04D 25/088  
See application file for complete search history.

(56) **References Cited**

**U.S. PATENT DOCUMENTS**

D407,155 S	*	3/1999	Liu	.....	D23/377
D527,451 S	*	8/2006	Glasbrenner	.....	D23/377
D553,731 S	*	10/2007	Bucher	.....	D23/411
D566,321 S	*	4/2008	Pickett	.....	D26/128
D584,810 S	*	1/2009	Pickett	.....	D23/411

D627,454 S	*	11/2010	Pan	.....	D23/377
D627,870 S	*	11/2010	Wang	.....	D23/411
D663,455 S	*	7/2012	Glasbrenner	.....	D26/59
D678,499 S	*	3/2013	Pan	.....	D23/411
D706,410 S	*	6/2014	Pan	.....	D23/411
D743,523 S	*	11/2015	Ertze	.....	D23/411
D743,527 S	*	11/2015	Wang	.....	D23/411
D744,081 S	*	11/2015	Wang	.....	D23/411
D744,633 S	*	12/2015	Wang	.....	D23/411

\* cited by examiner

*Primary Examiner* — Janice Hallmark

(74) *Attorney, Agent, or Firm* — Pai Patent & Trademark Law Firm; Chao-Chang David Pai

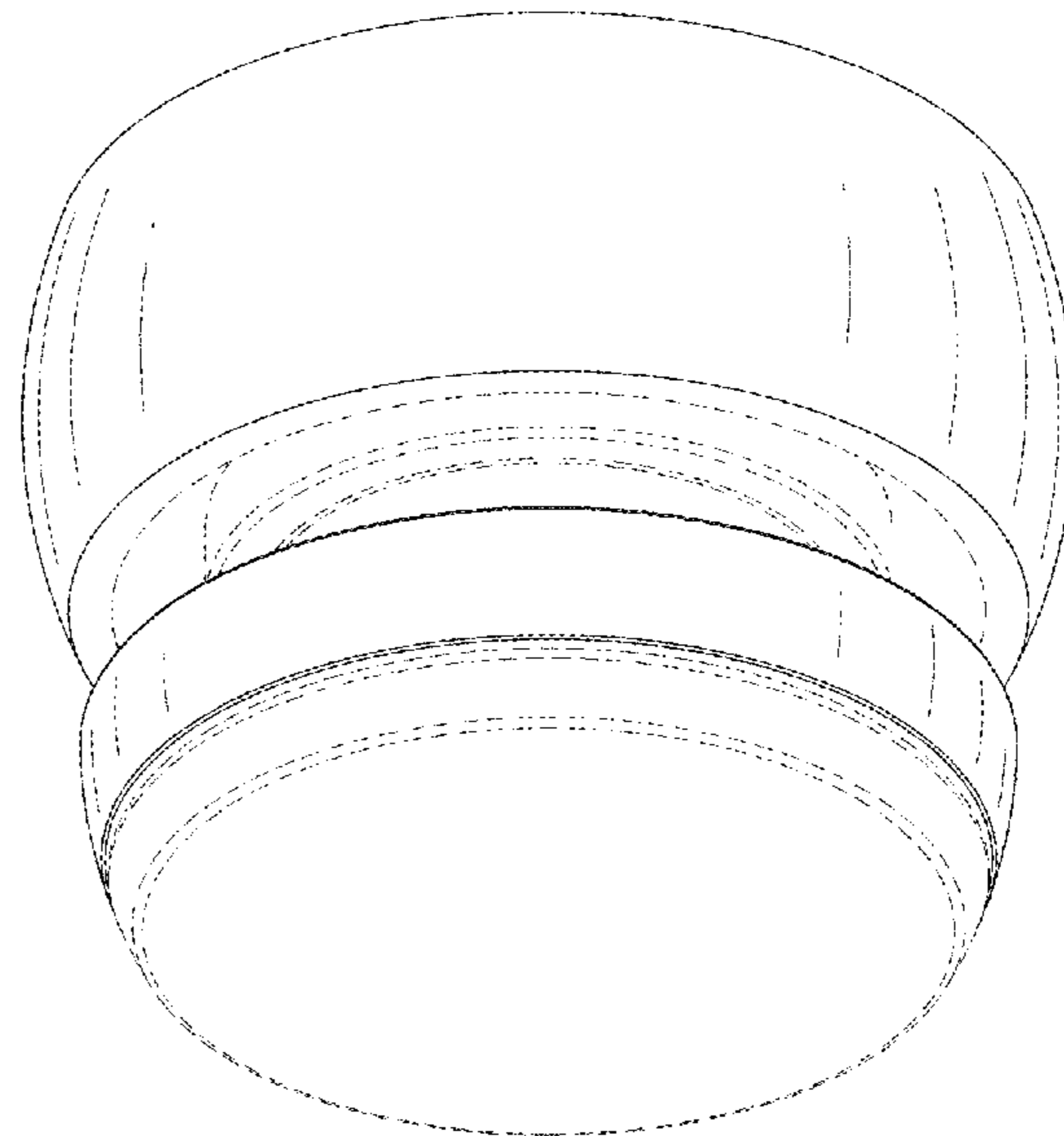
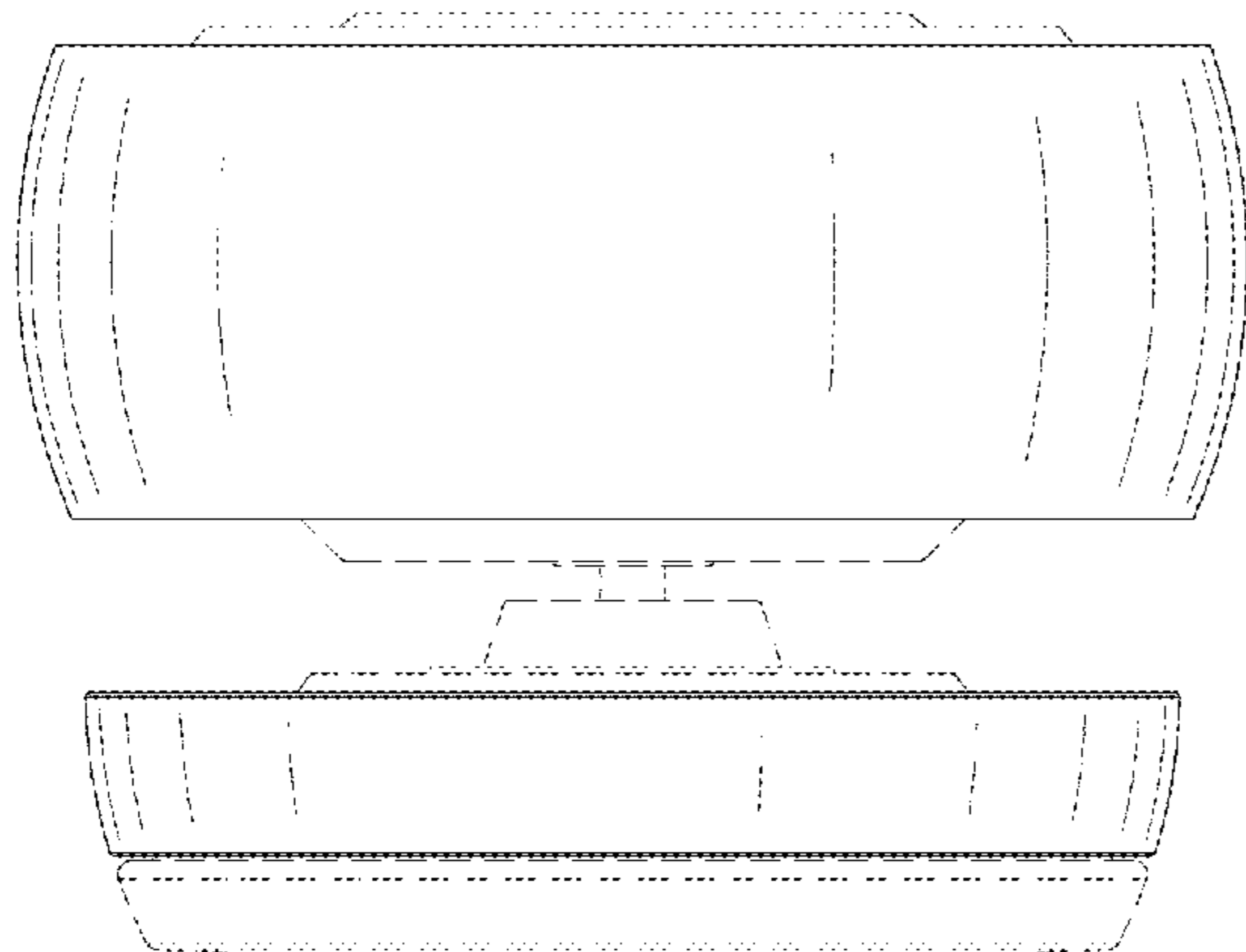
(57) **CLAIM**

The ornamental design for a ceiling fan motor housing, as shown and described.

**DESCRIPTION**

FIG. 1 is a front perspective view of a ceiling fan motor housing showing my new design;  
FIG. 2 is a front elevational view thereof;  
FIG. 3 is a rear elevational view thereof;  
FIG. 4 is a left side elevational view thereof;  
FIG. 5 is a right side elevational view thereof;  
FIG. 6 is a top plan view thereof;  
FIG. 7 is a bottom plan view thereof; and,  
FIG. 8 is a front bottom perspective view thereof.  
The broken lines are for the purpose of illustrating environmental structure and form no part of the claimed design.

**1 Claim, 6 Drawing Sheets**



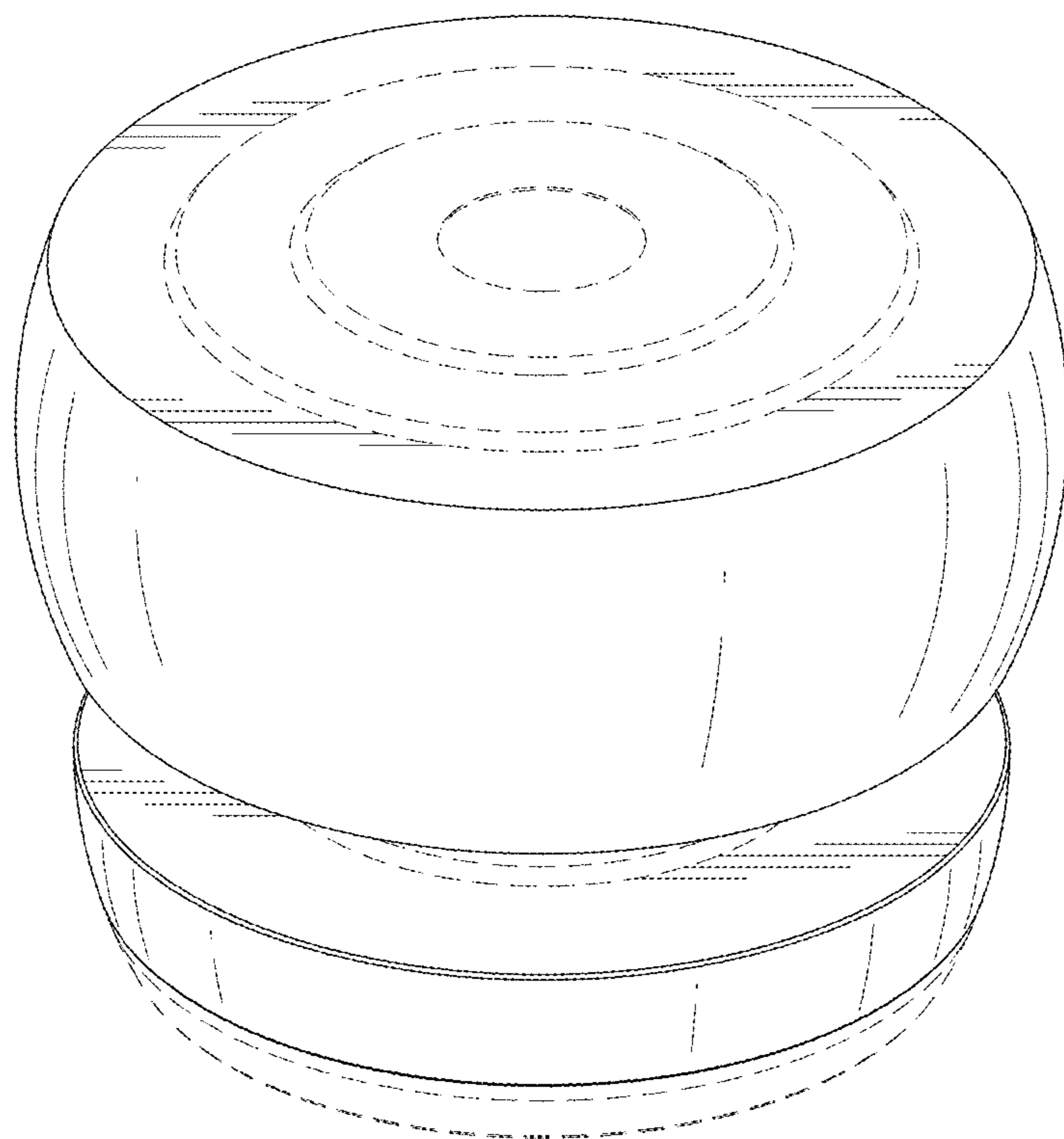


FIG. 1

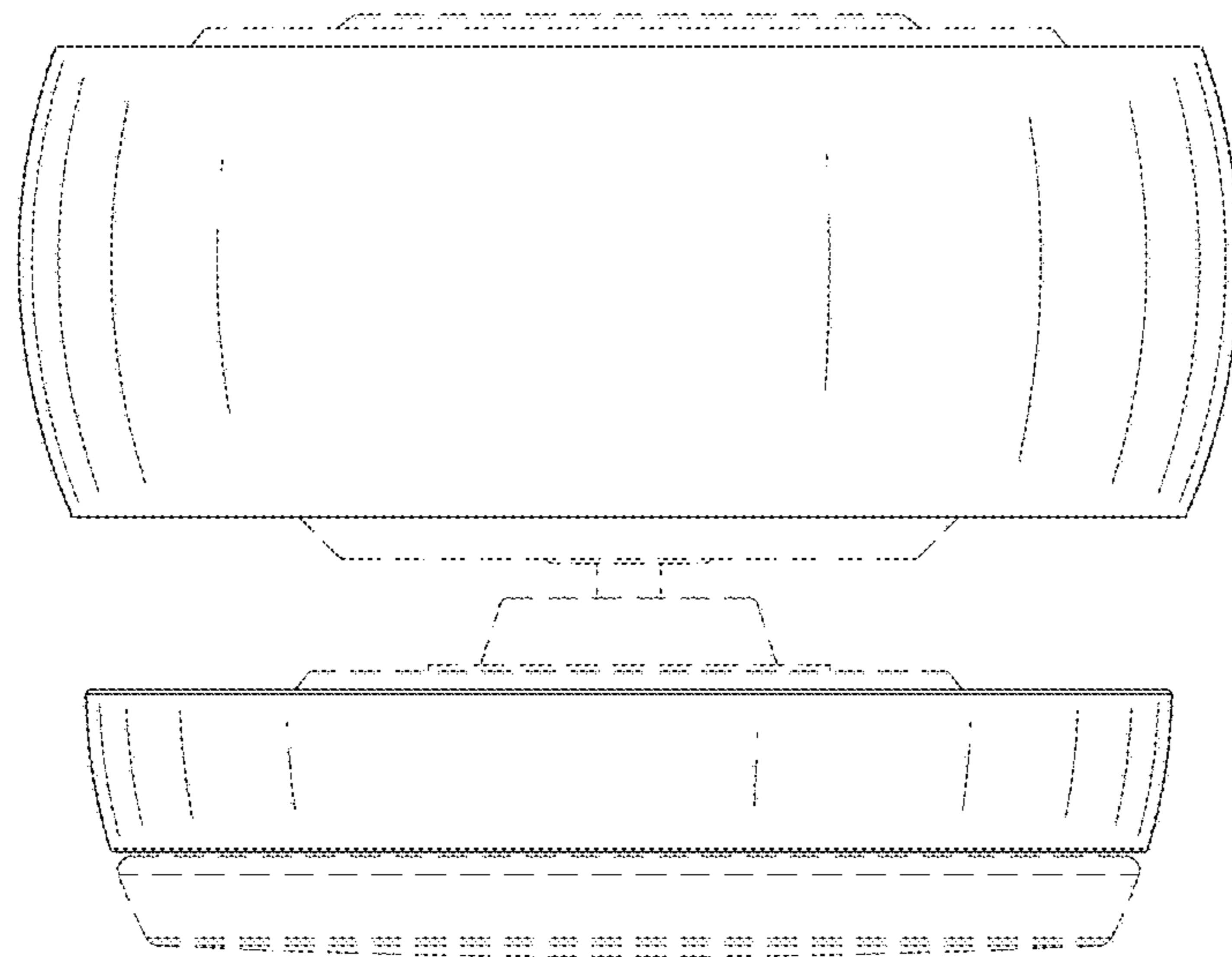


FIG. 2

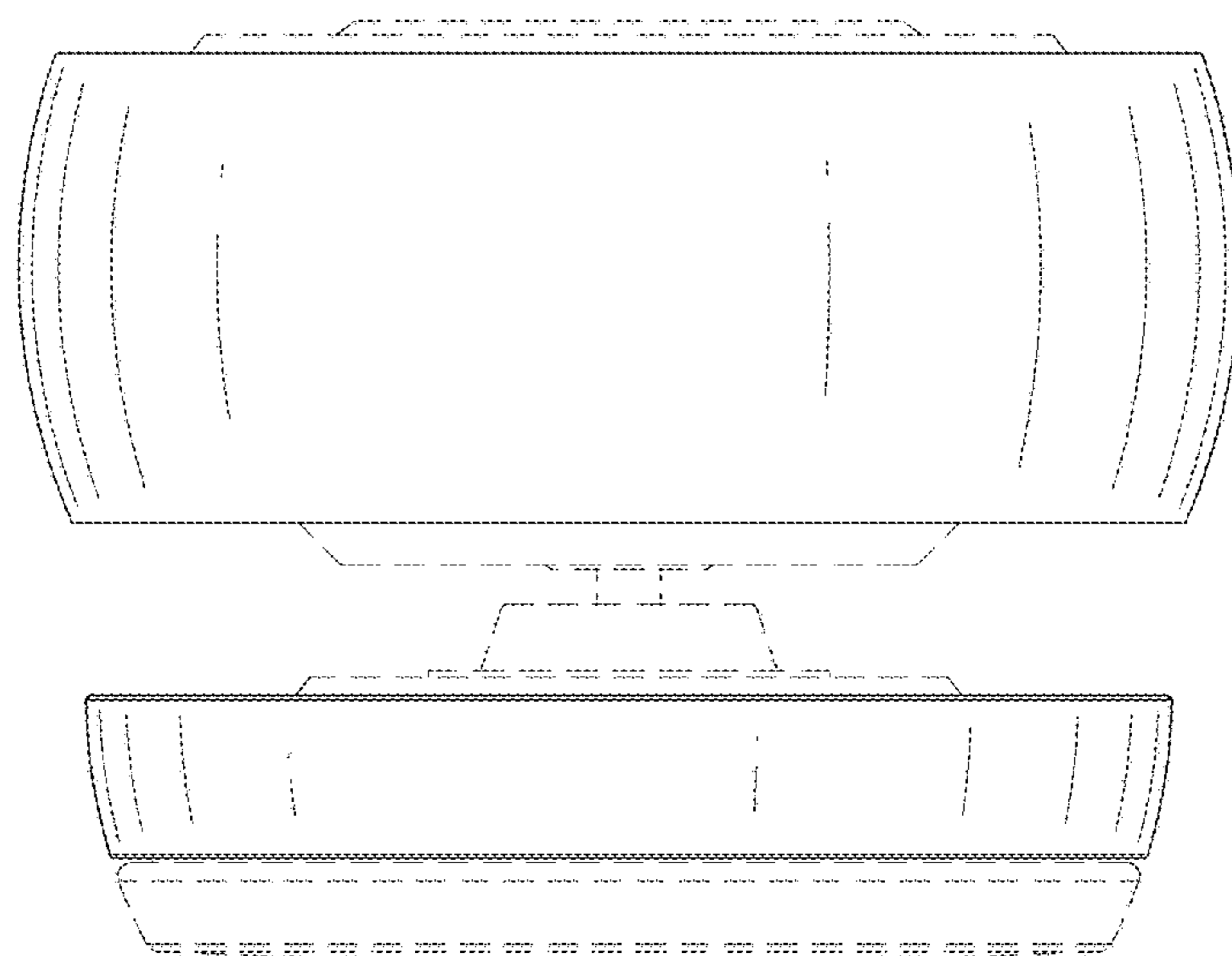


FIG. 3

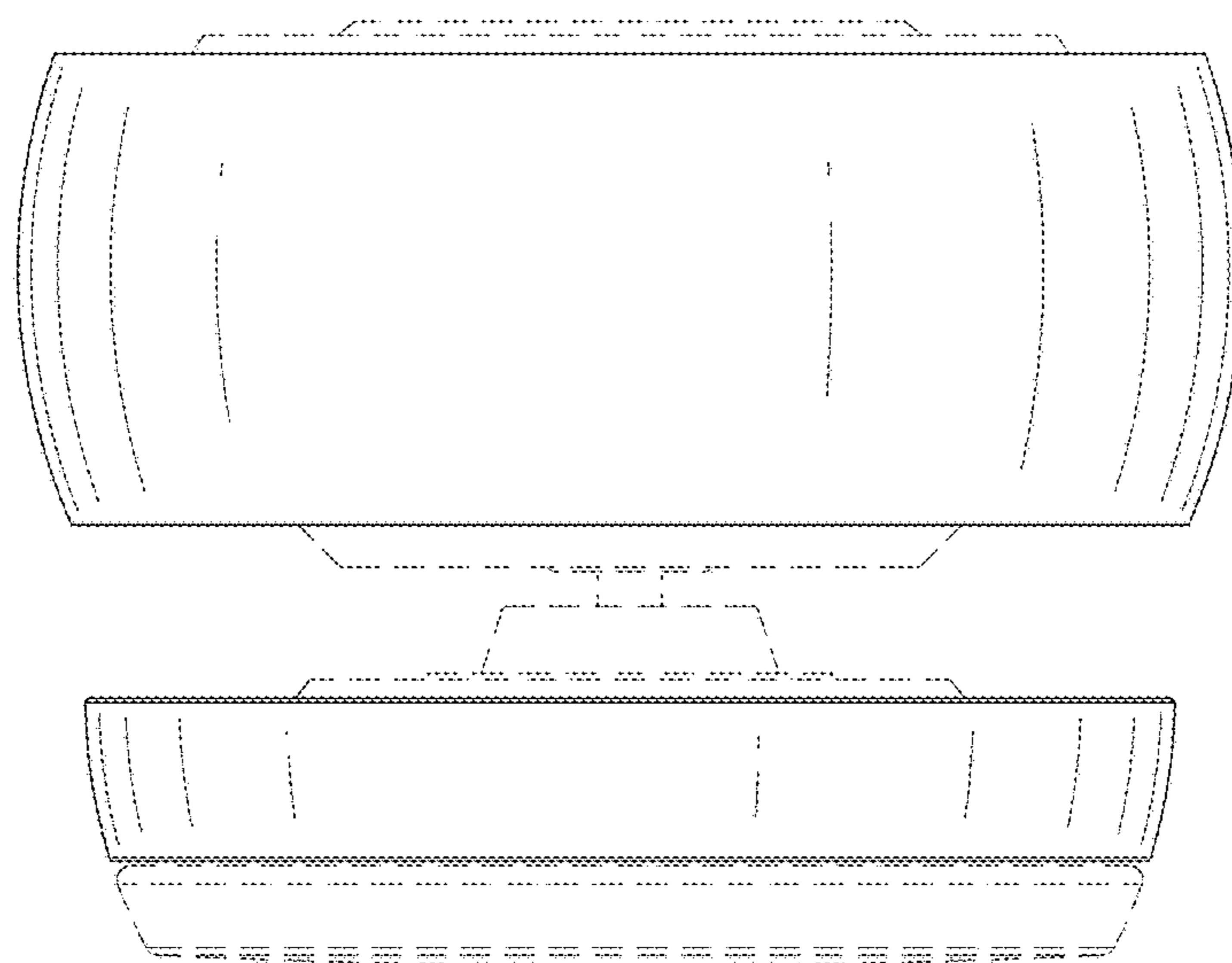


FIG. 4

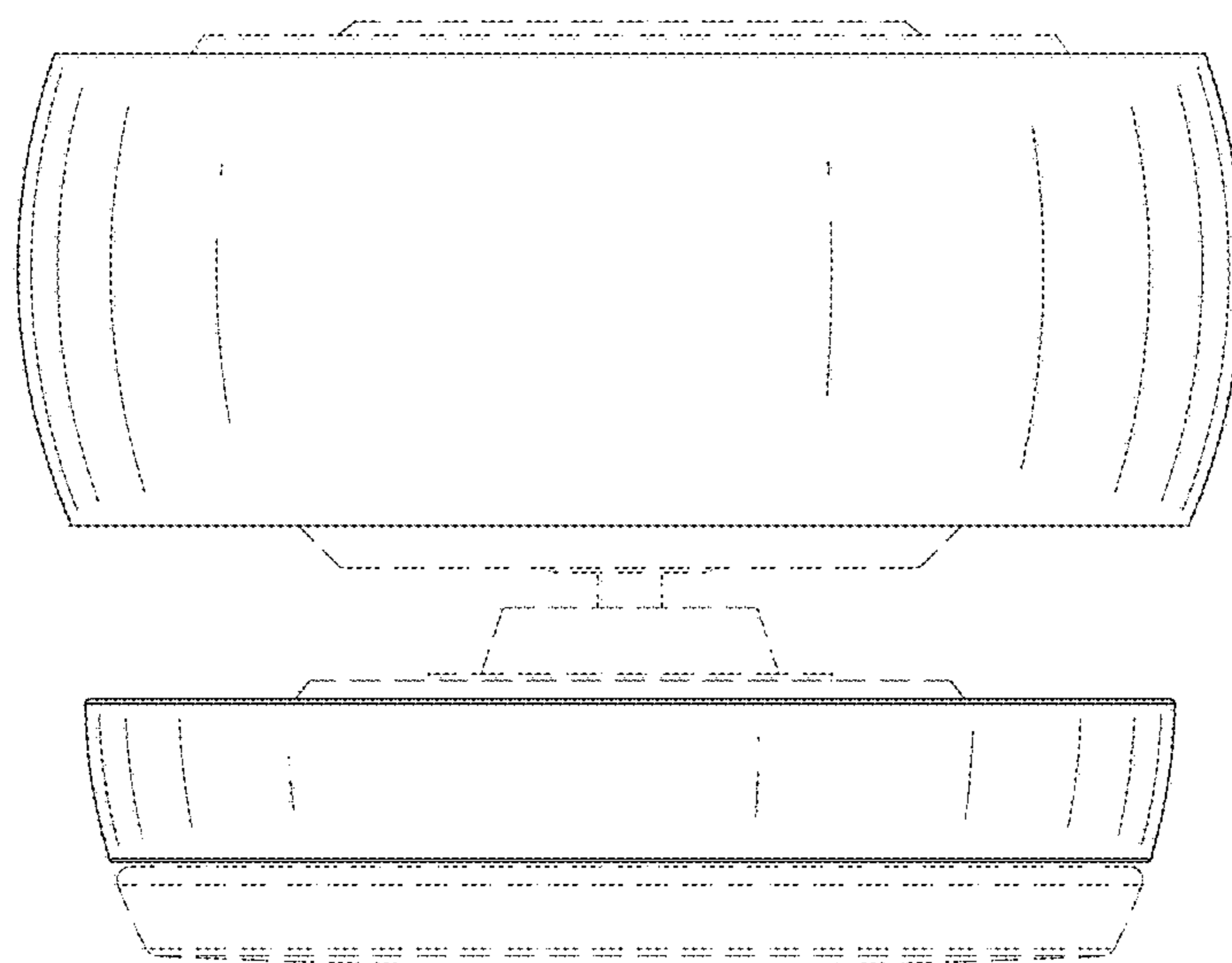


FIG. 5

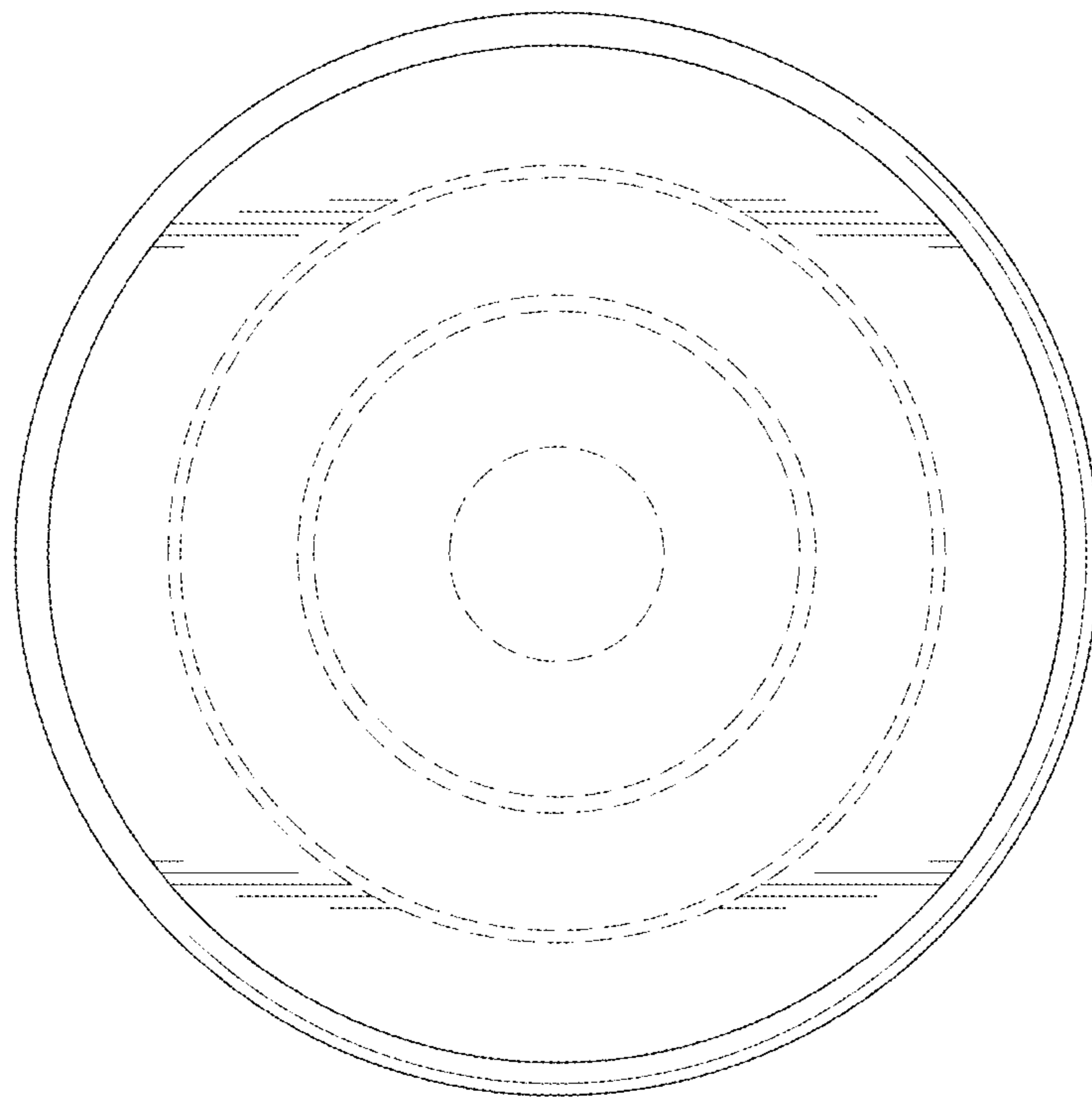


FIG. 6

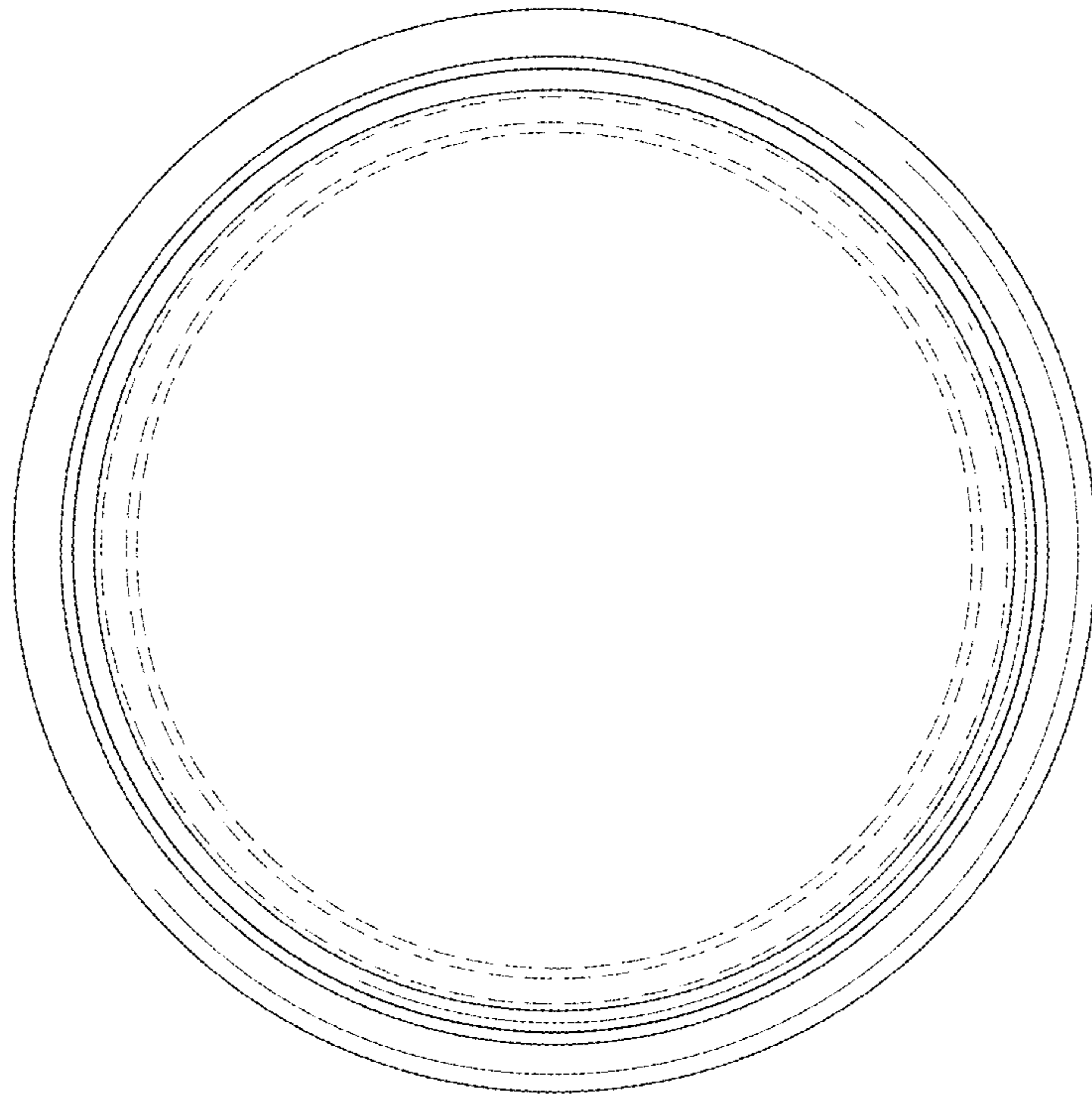


FIG. 7

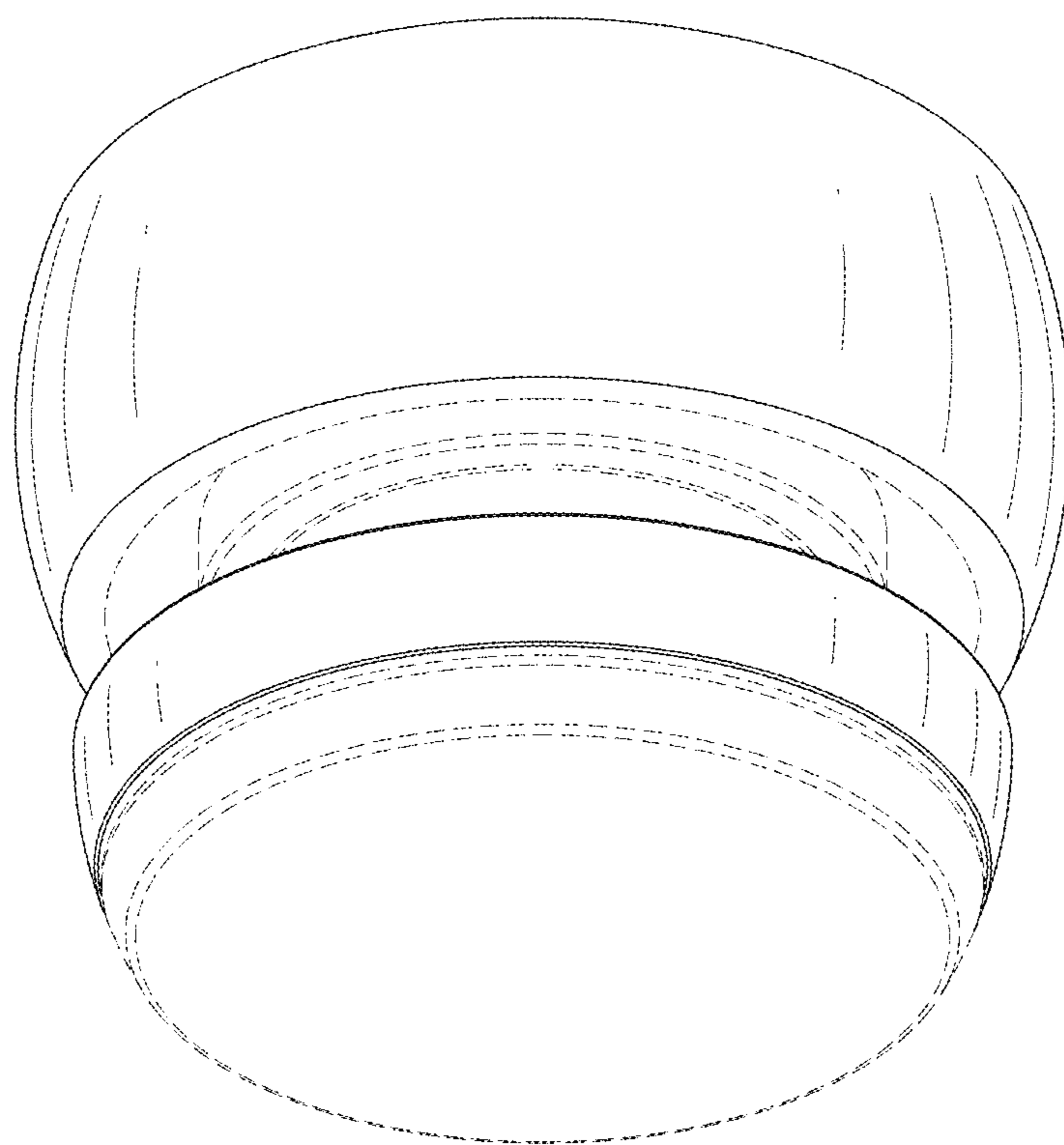


FIG. 8