



US00D803383S

(12) **United States Design Patent**
Breit et al.

(10) **Patent No.:** **US D803,383 S**

(45) **Date of Patent:** **** Nov. 21, 2017**

(54) **WATER MISTING FAN**

(71) Applicant: **O2COOL, LLC**, Chicago, IL (US)

(72) Inventors: **Oliver Breit**, Discovery Bay (HK);
Jason Yap, Melbourne (AU)

(73) Assignee: **O2COOL, LLC**, Chicago, IL (US)

(**) Term: **15 Years**

(21) Appl. No.: **29/602,908**

(22) Filed: **May 4, 2017**

Related U.S. Application Data

(63) Continuation of application No. 29/585,982, filed on Nov. 30, 2016, which is a continuation of application No. 29/528,409, filed on May 28, 2015, now Pat. No. Des. 773,631.

(51) **LOC (10) Cl.** **23-04**

(52) **U.S. Cl.**
USPC **D23/379**; D23/328

(58) **Field of Classification Search**
USPC D23/328, 370, 379, 411; D9/685
CPC B05B 3/022; B05B 3/02
See application file for complete search history.

(56) **References Cited**

U.S. PATENT DOCUMENTS

D529,166 S *	9/2006	Geringer	D23/379
D544,078 S *	6/2007	Geringer	261/28
D553,227 S *	10/2007	Chen	D23/314
D698,428 S *	1/2014	Sands	D23/314
D703,304 S *	4/2014	Herbst	D23/379
D703,308 S *	4/2014	Peterson	D23/379

D733,282 S *	6/2015	Peterson	D23/328
9,339,827 B2 *	5/2016	Chan	B05B 3/022
D767,747 S *	9/2016	Wang	D23/379
D770,022 S *	10/2016	Breit	D23/328
D773,630 S *	12/2016	Breit	D23/328
D773,631 S *	12/2016	Breit	D23/379
2008/0237899 A1 *	10/2008	Chen	B05B 11/0037 261/28
2014/0014740 A1 *	1/2014	Sands	B05B 3/022 239/289
2016/0008827 A1 *	1/2016	Chan	B05B 3/022 417/70

* cited by examiner

Primary Examiner — Janice Hallmark

(74) *Attorney, Agent, or Firm* — Thompson Coburn LLP

(57) **CLAIM**

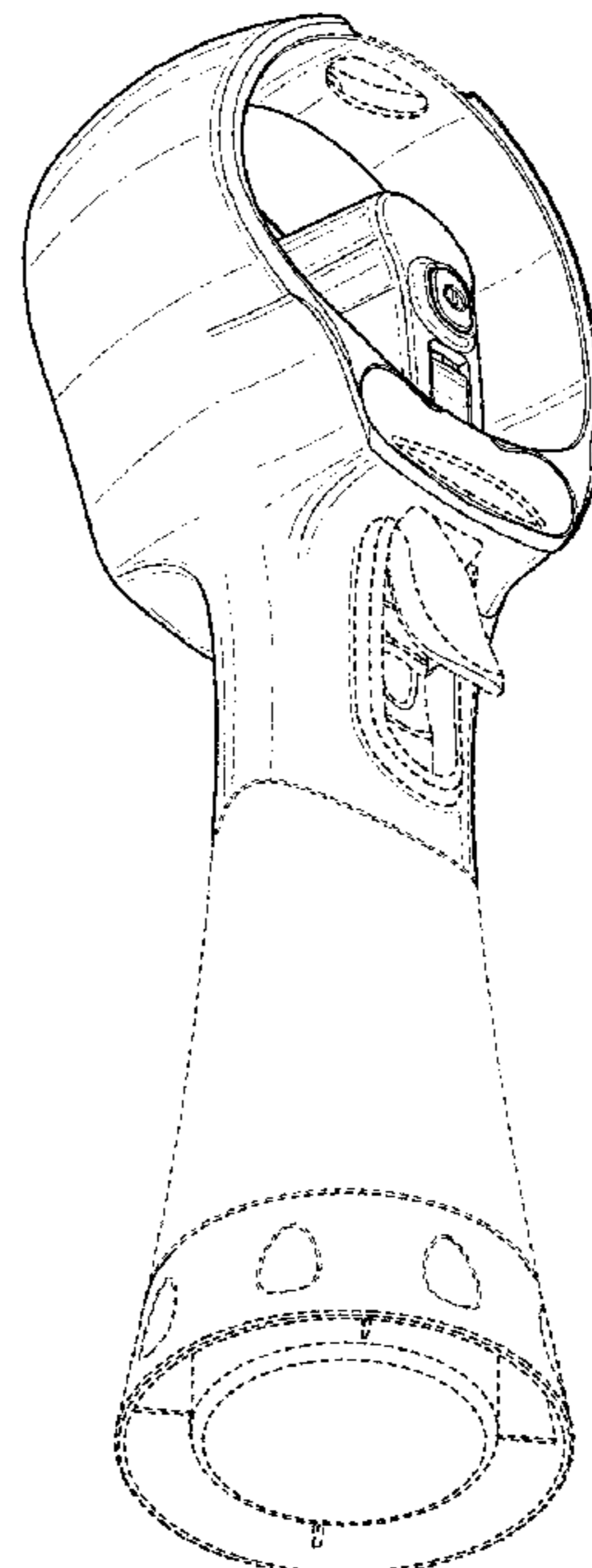
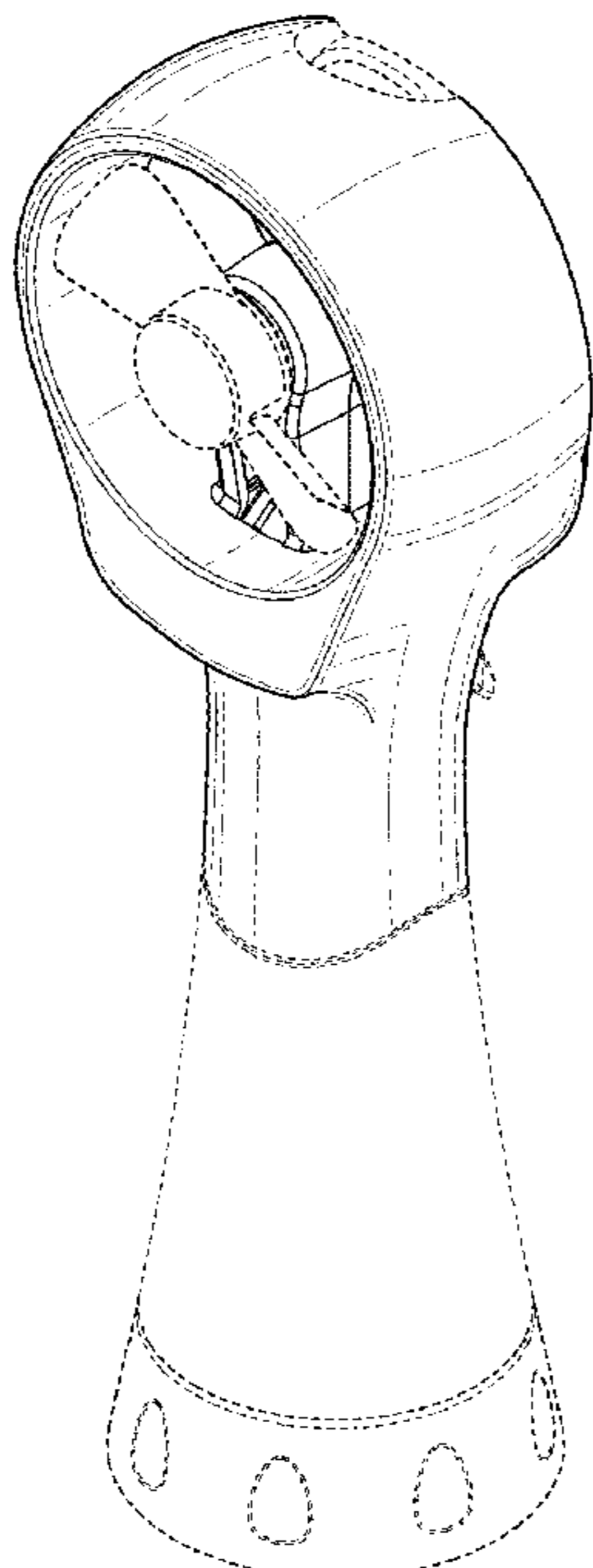
The ornamental design for a water misting fan, as shown and described.

DESCRIPTION

FIG. 1 is a first perspective view of the water misting fan showing our new design;
FIG. 2 is a second perspective view of the water misting fan;
FIG. 3 is a front view thereof;
FIG. 4 is a rear view thereof;
FIG. 5 is a left side view thereof;
FIG. 6 is a right side view thereof;
FIG. 7 is a top plan view thereof; and,
FIG. 8 is a bottom view thereof.

The broken lines immediately adjacent the shaded areas represent the bounds of the claimed design while all other broken lines are directed to environment; the broken lines form no part of the claimed design.

1 Claim, 7 Drawing Sheets



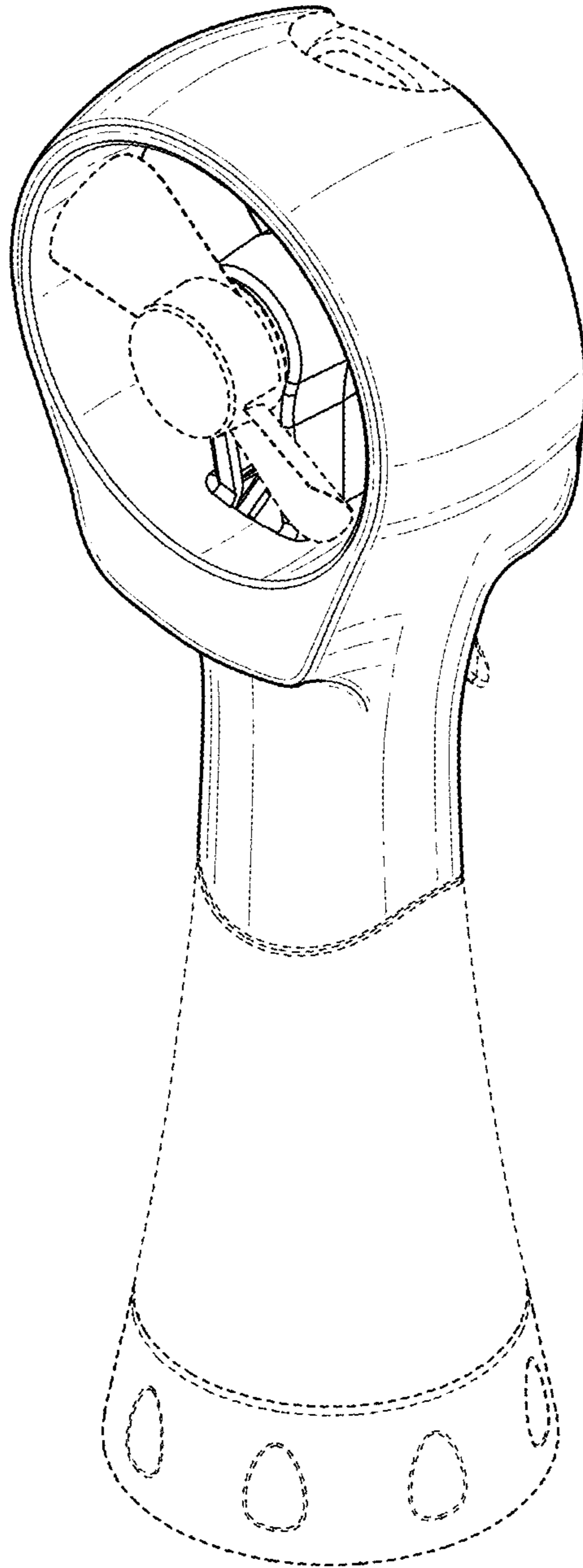


FIG. 1

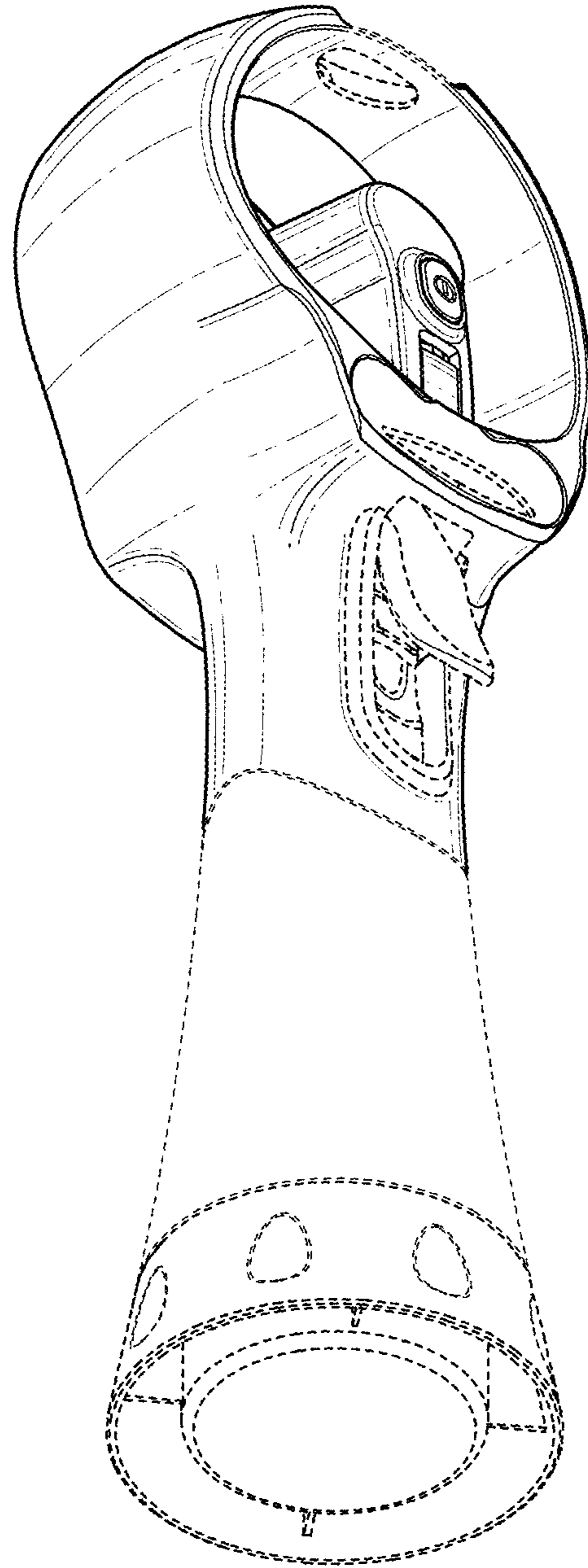


FIG. 2

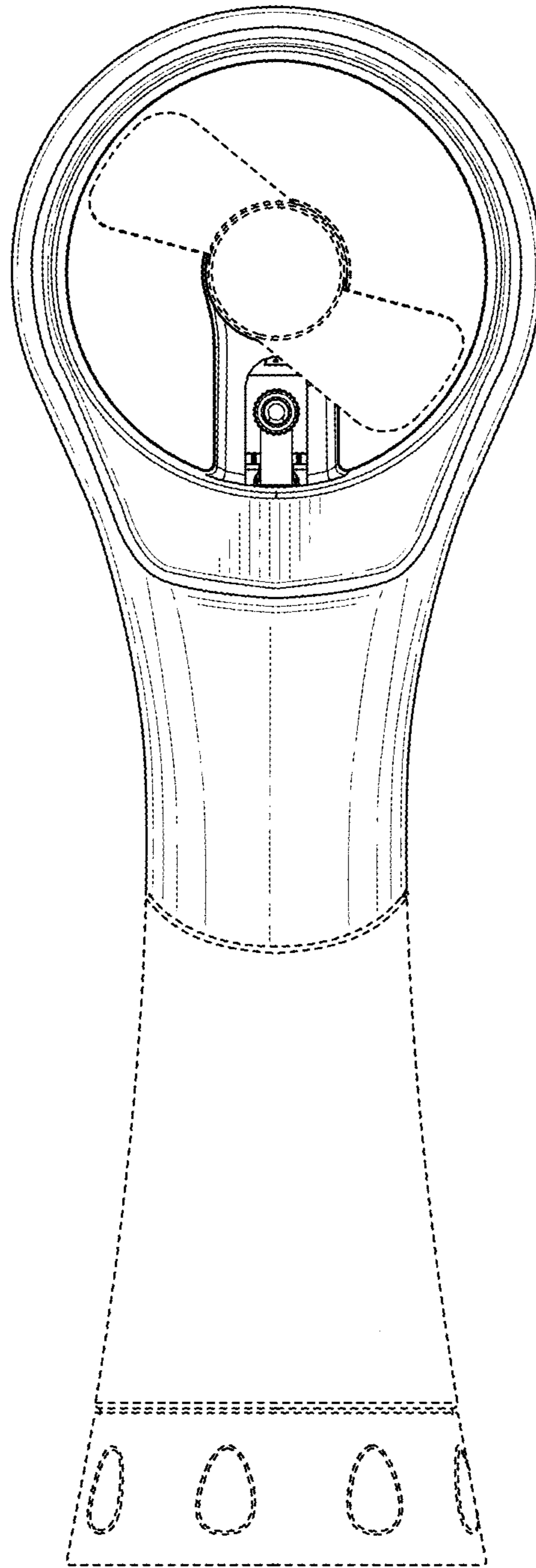


FIG. 3

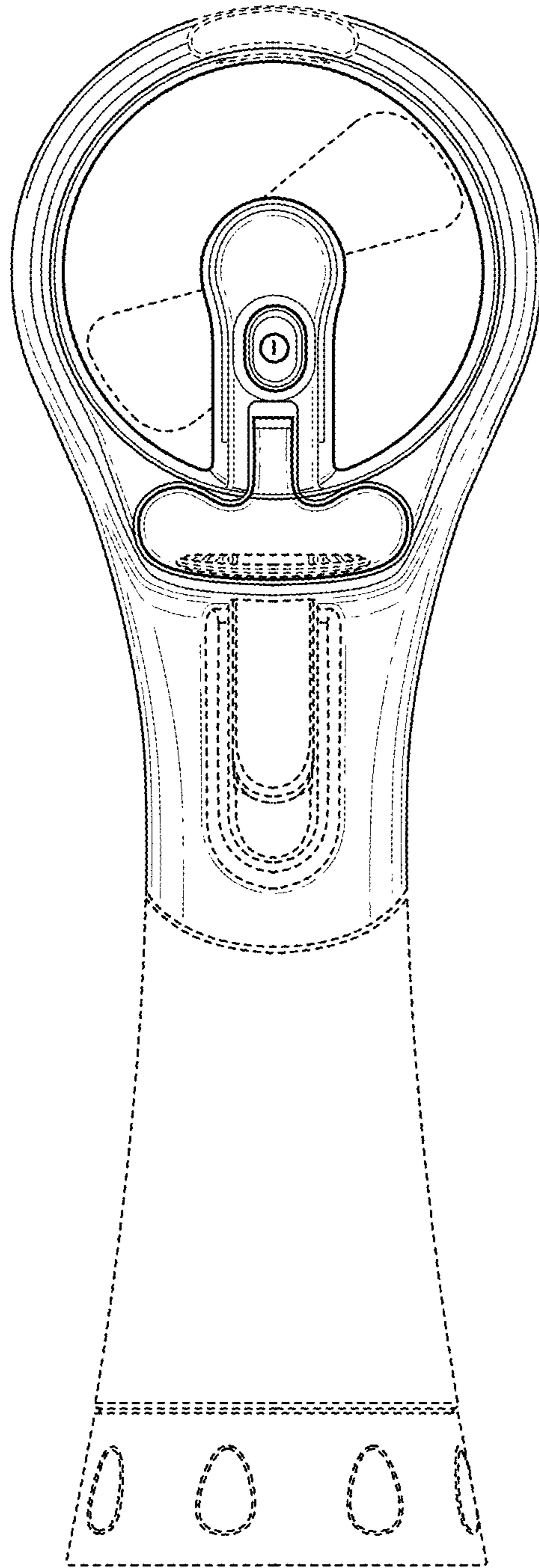


FIG. 4

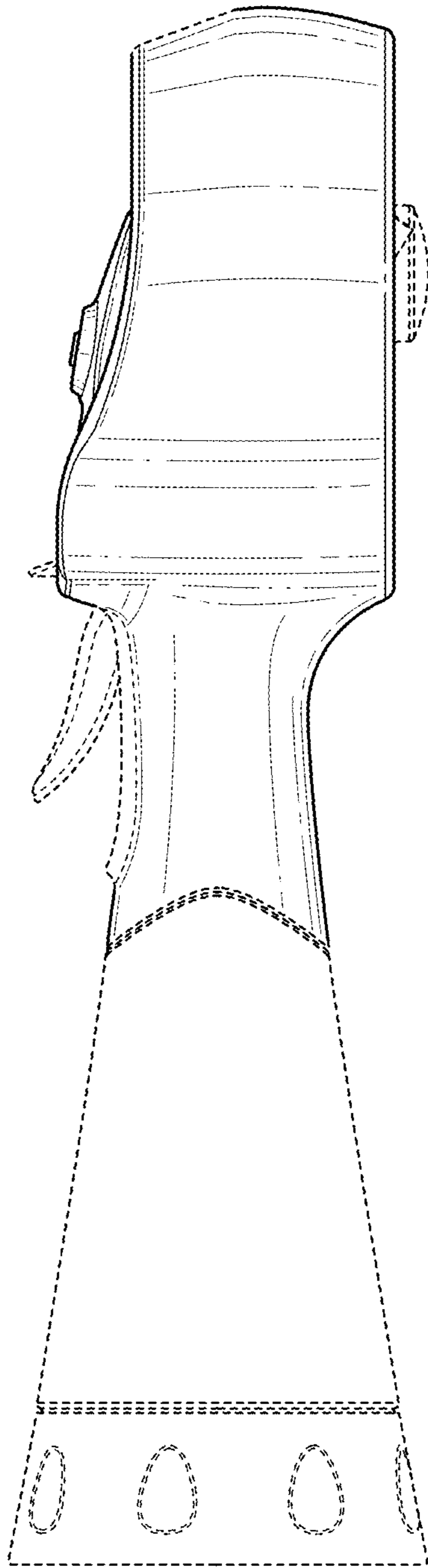


FIG. 5

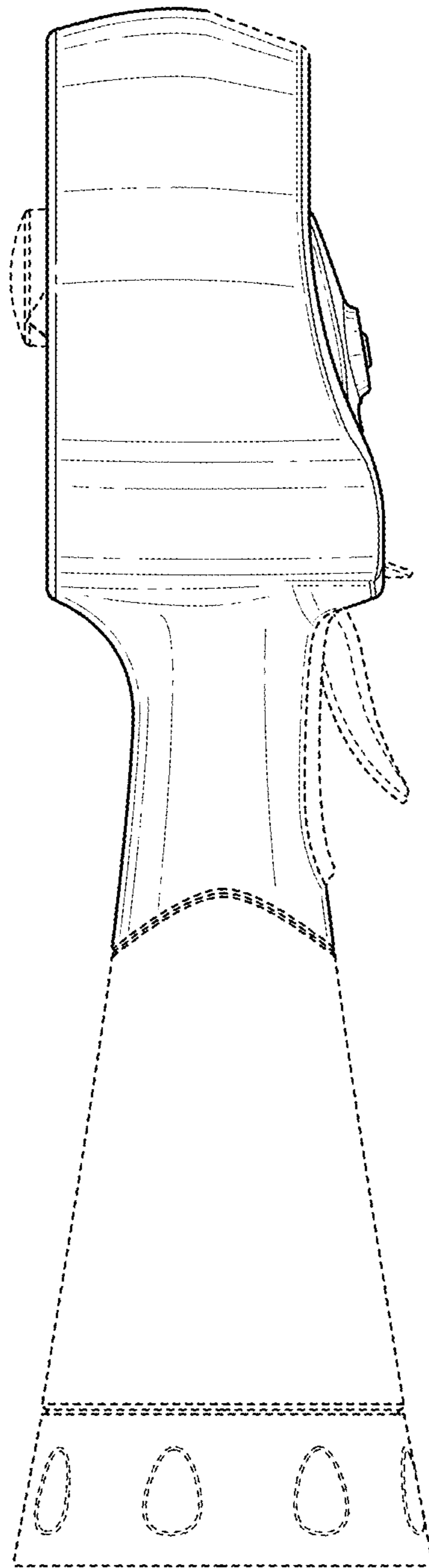


FIG. 6

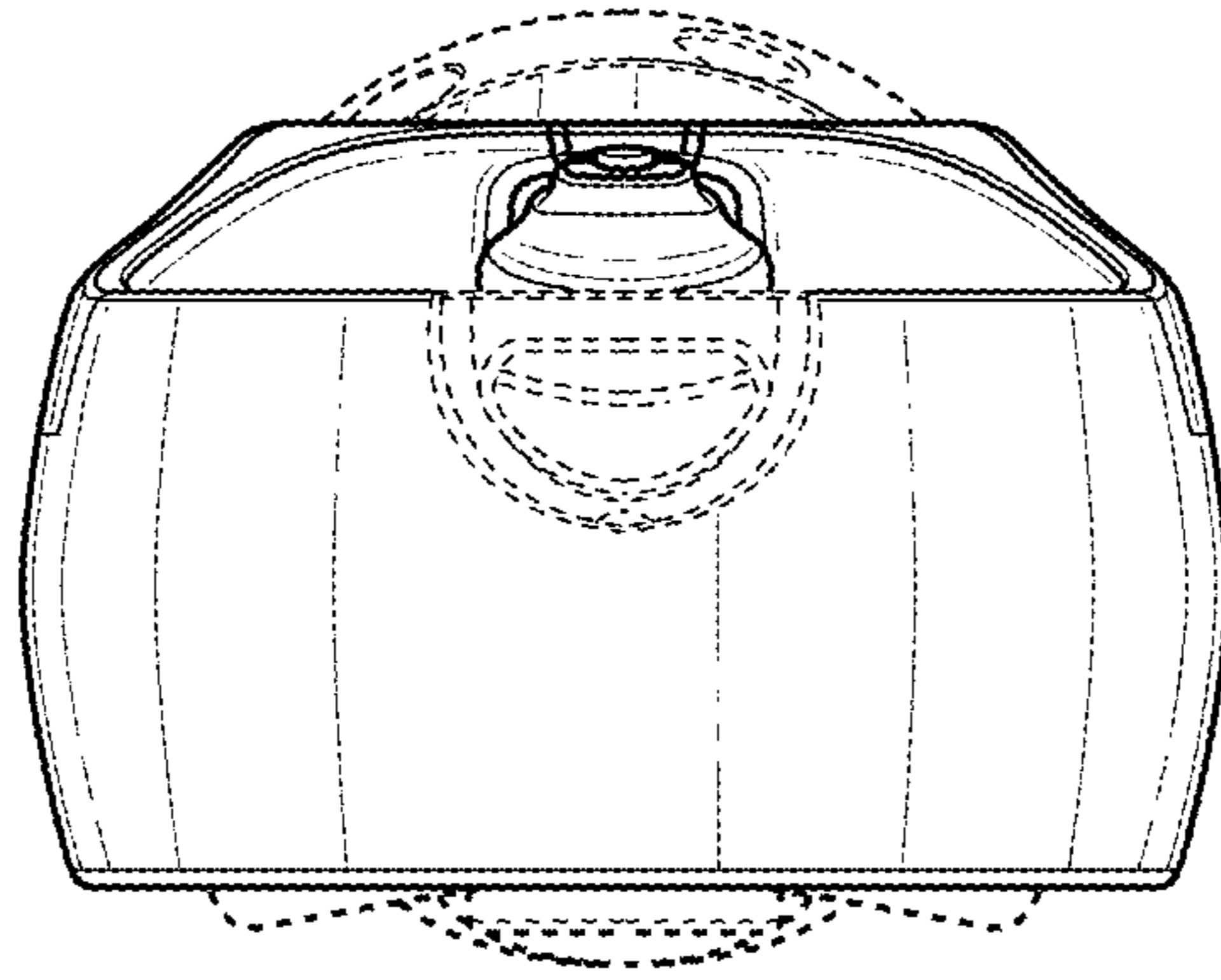


FIG. 7

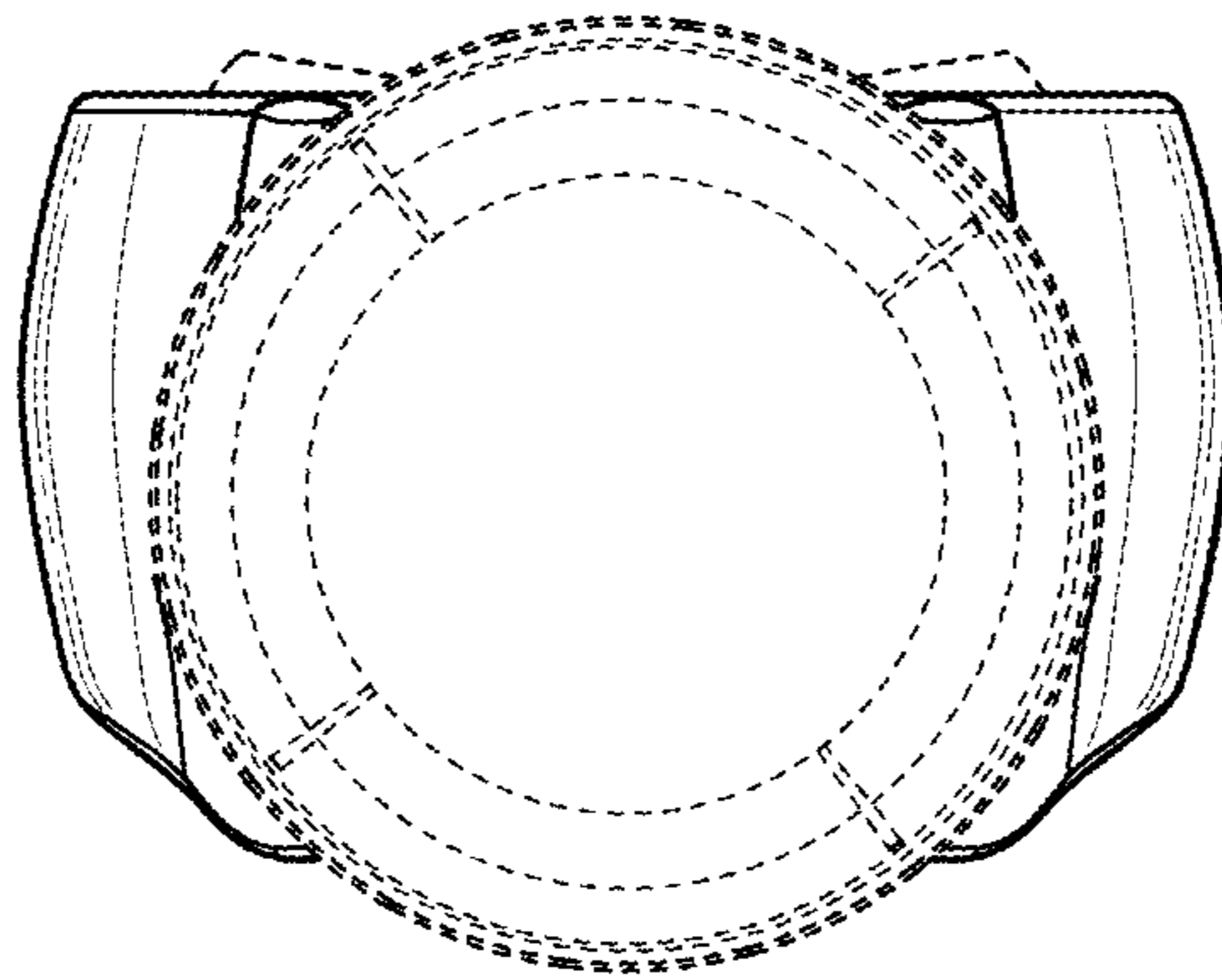


FIG. 8