



US00D803382S

(12) **United States Design Patent** (10) **Patent No.:** **US D803,382 S**  
**Kim et al.** (45) **Date of Patent:** **\*\* Nov. 21, 2017**

(54) **FAN**  
 (71) Applicant: **LG ELECTRONICS INC.**, Seoul (KR)

CPC ..... F04D 25/00; F04D 25/10; F04D 25/08;  
 F04D 25/105; F04D 25/166; F04D 17/04  
 See application file for complete search history.

(72) Inventors: **Joosang Kim**, Seoul (KR); **Sungkyong Han**, Seoul (KR); **Yunseo Jang**, Seoul (KR); **Sehwan Bae**, Seoul (KR)

(56) **References Cited**

U.S. PATENT DOCUMENTS

(73) Assignee: **LG ELECTRONICS INC.**, Seoul (KR)

|          |   |   |         |          |       |         |
|----------|---|---|---------|----------|-------|---------|
| D311,772 | S | * | 10/1990 | Yang     | ..... | D23/378 |
| D484,965 | S | * | 1/2004  | Wong     | ..... | D23/378 |
| D514,688 | S | * | 2/2006  | Avedon   | ..... | D23/379 |
| D680,211 | S | * | 4/2013  | Birdsell | ..... | D23/378 |
| D684,250 | S | * | 6/2013  | Hubert   | ..... | D23/356 |
| D696,765 | S | * | 12/2013 | Spoerl   | ..... | D23/378 |
| D773,631 | S | * | 12/2016 | Breit    | ..... | D23/379 |
| D783,795 | S | * | 4/2017  | Avedon   | ..... | D23/379 |

(\*\*) Term: **15 Years**

\* cited by examiner

(21) Appl. No.: **35/501,542**

*Primary Examiner* — Michael A Pratt

(22) Filed: **Mar. 11, 2016**

(74) *Attorney, Agent, or Firm* — Birch, Stewart, Kolasch & Birch, LLP

(80) **Hague Agreement Data**

Int. Filing Date: **Mar. 11, 2016**

Int. Reg. No.: **DM/089921**

Int. Reg. Date: **Mar. 11, 2016**

Int. Reg. Pub. Date: **Sep. 16, 2016**

(57) **CLAIM**

The ornamental design for a fan, as shown and described.

(30) **Foreign Application Priority Data**

Dec. 11, 2015 (KR) ..... 30-2015-0063481

(51) **LOC (10) Cl.** ..... **23-04**

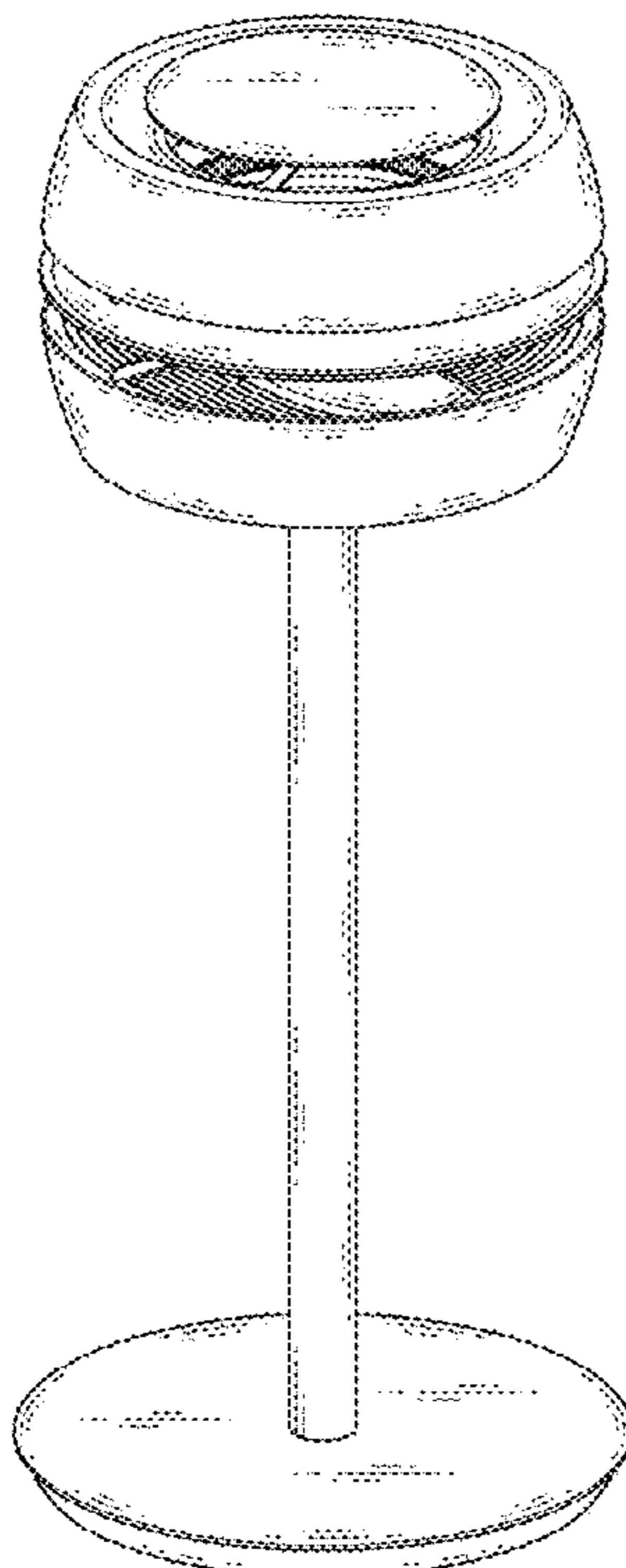
(52) **U.S. Cl.**  
 USPC ..... **D23/378**

(58) **Field of Classification Search**  
 USPC ..... D23/378, 379, 380, 381, 382, 383

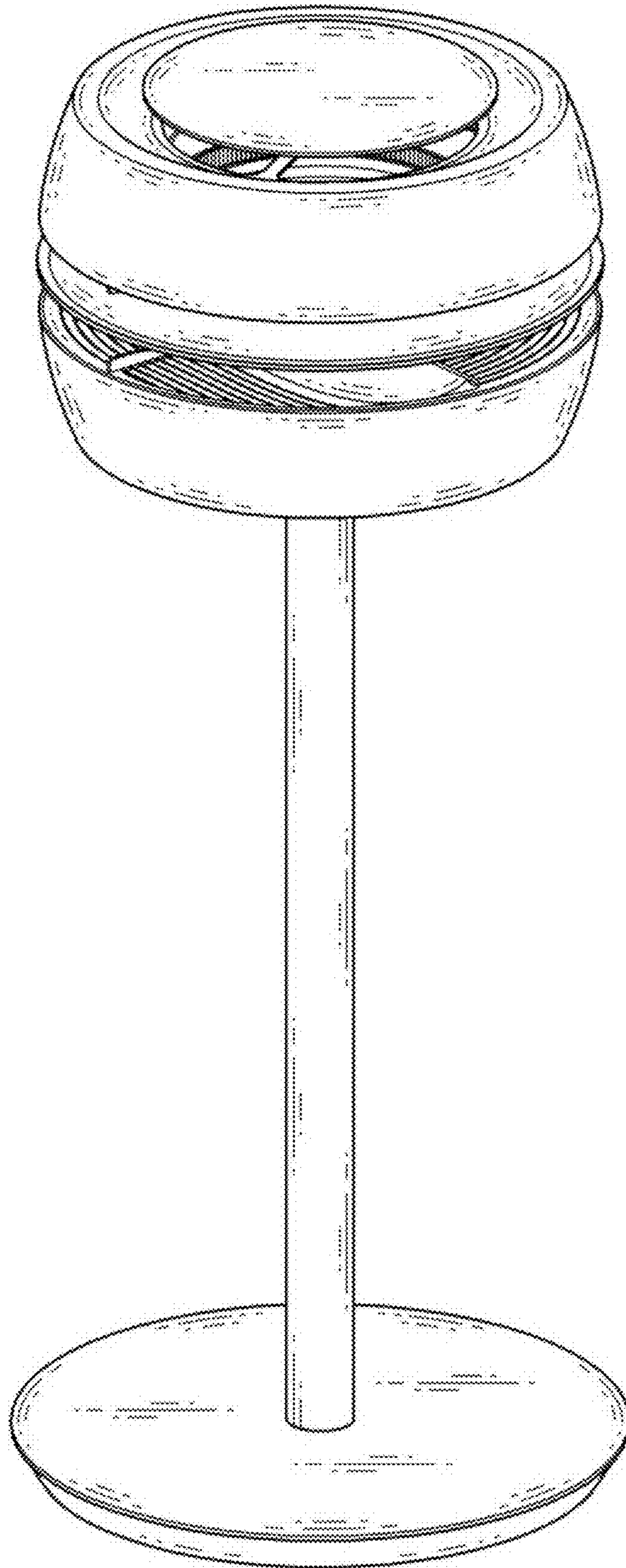
**DESCRIPTION**

- 1. Fan
- 1.1 is a perspective view
- 1.2 is a front side view
- 1.3 is rear side view
- 1.4 is a left view
- 1.5 is a right view
- 1.6 is a top view
- 1.7 is a bottom view

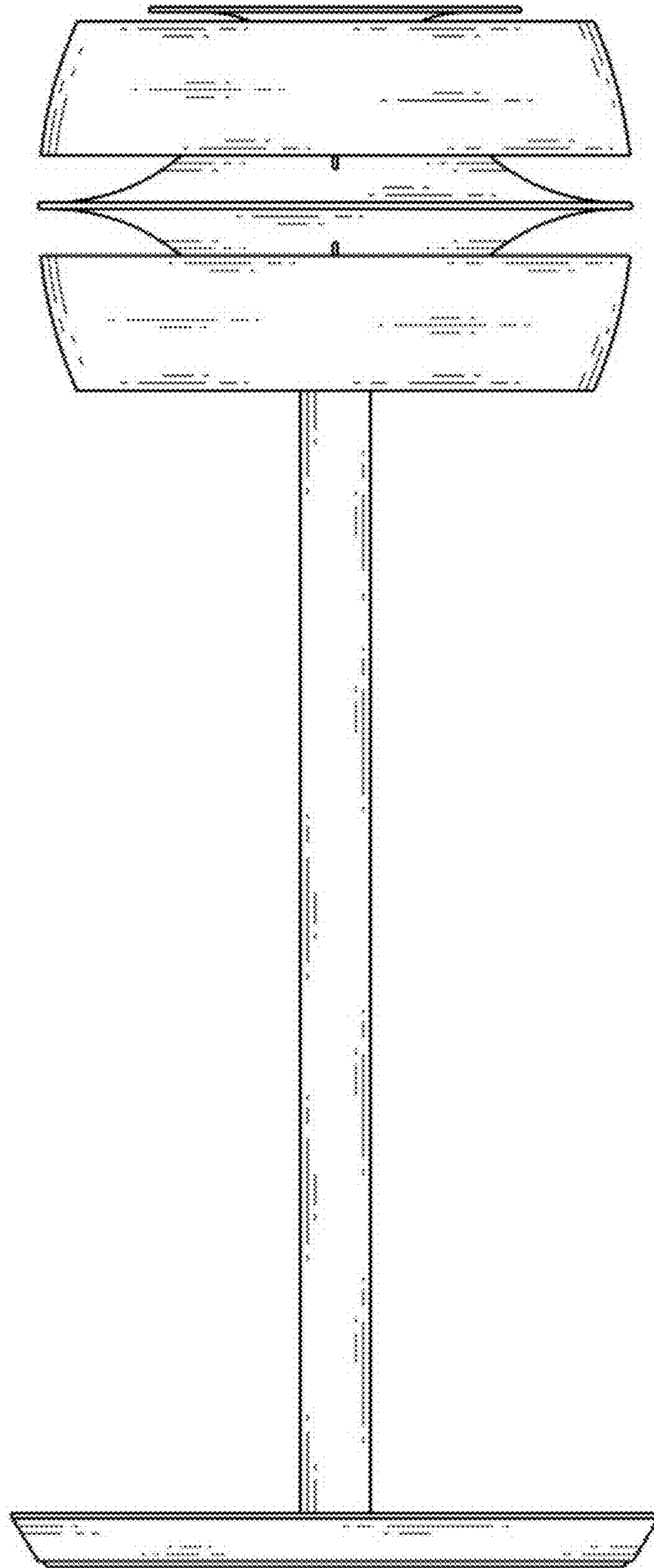
**1 Claim, 7 Drawing Sheets**



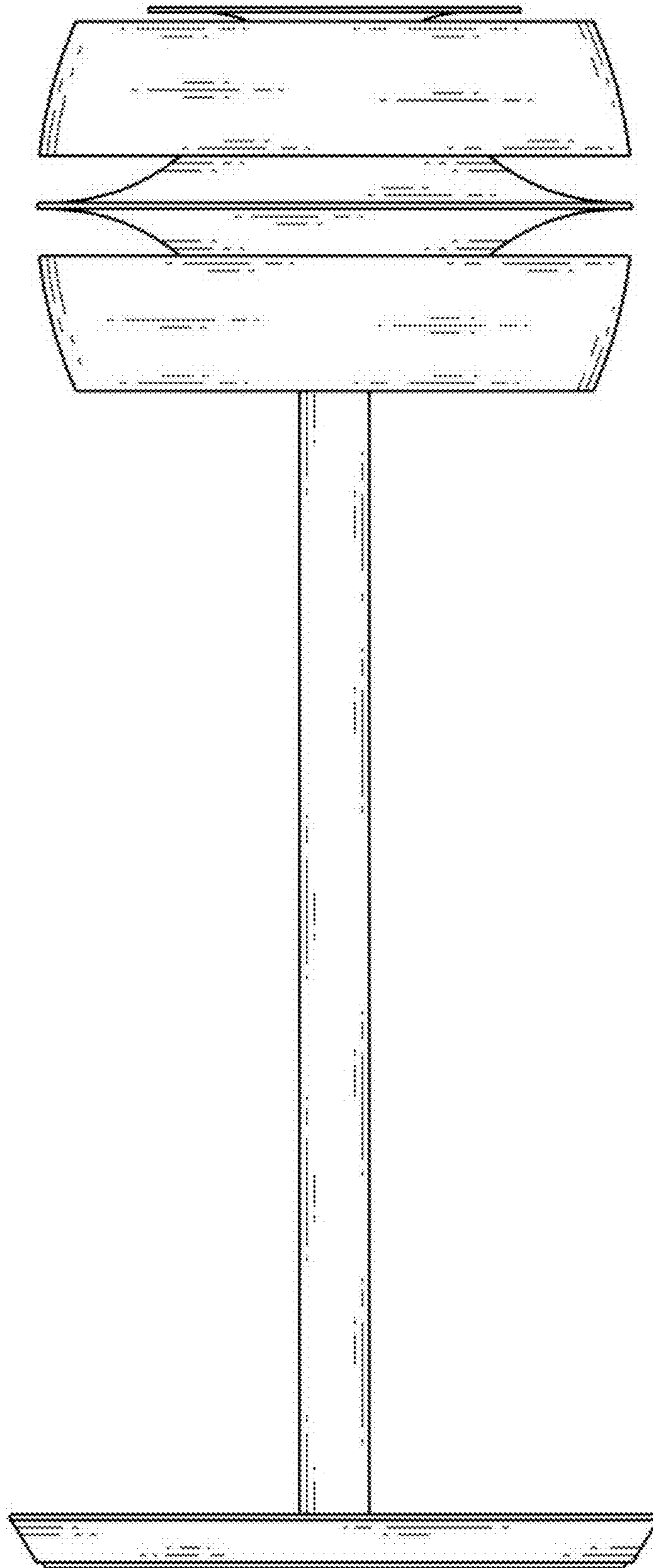
1.1



1.2

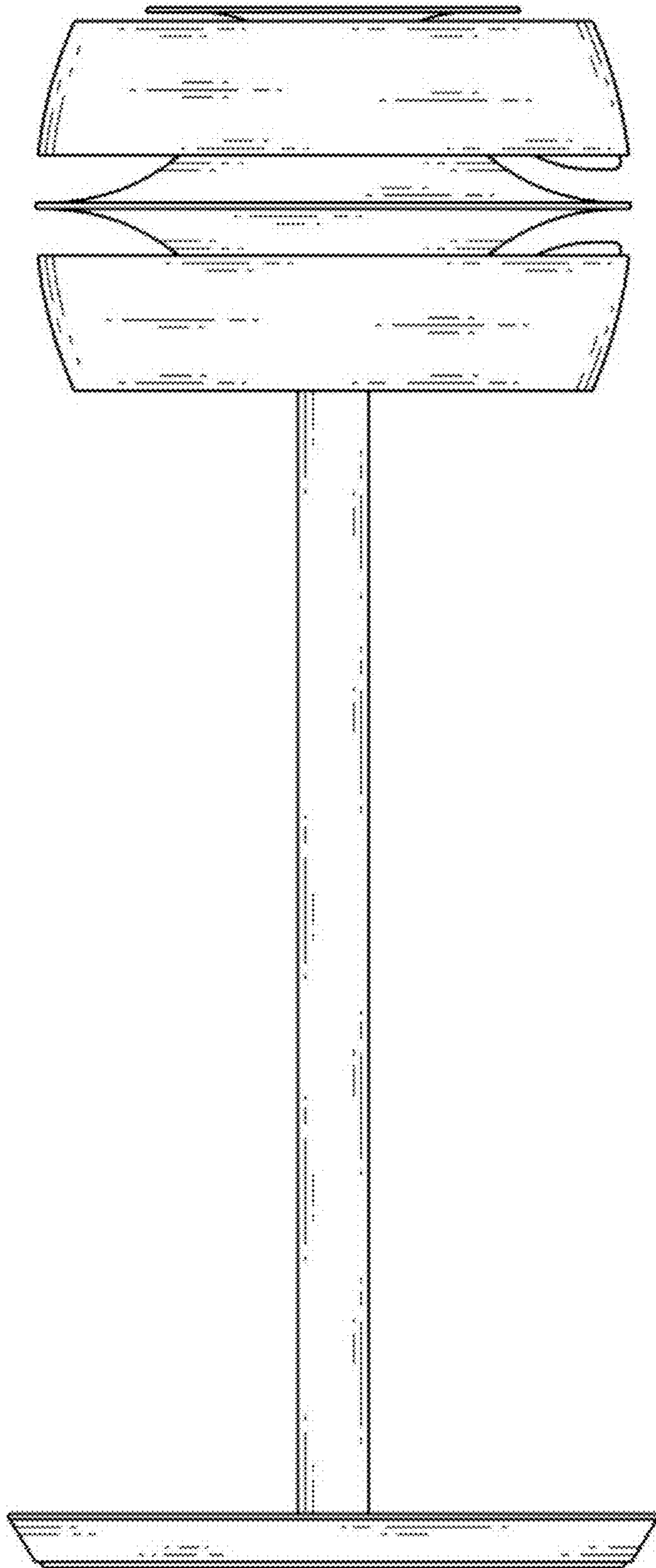


1.3

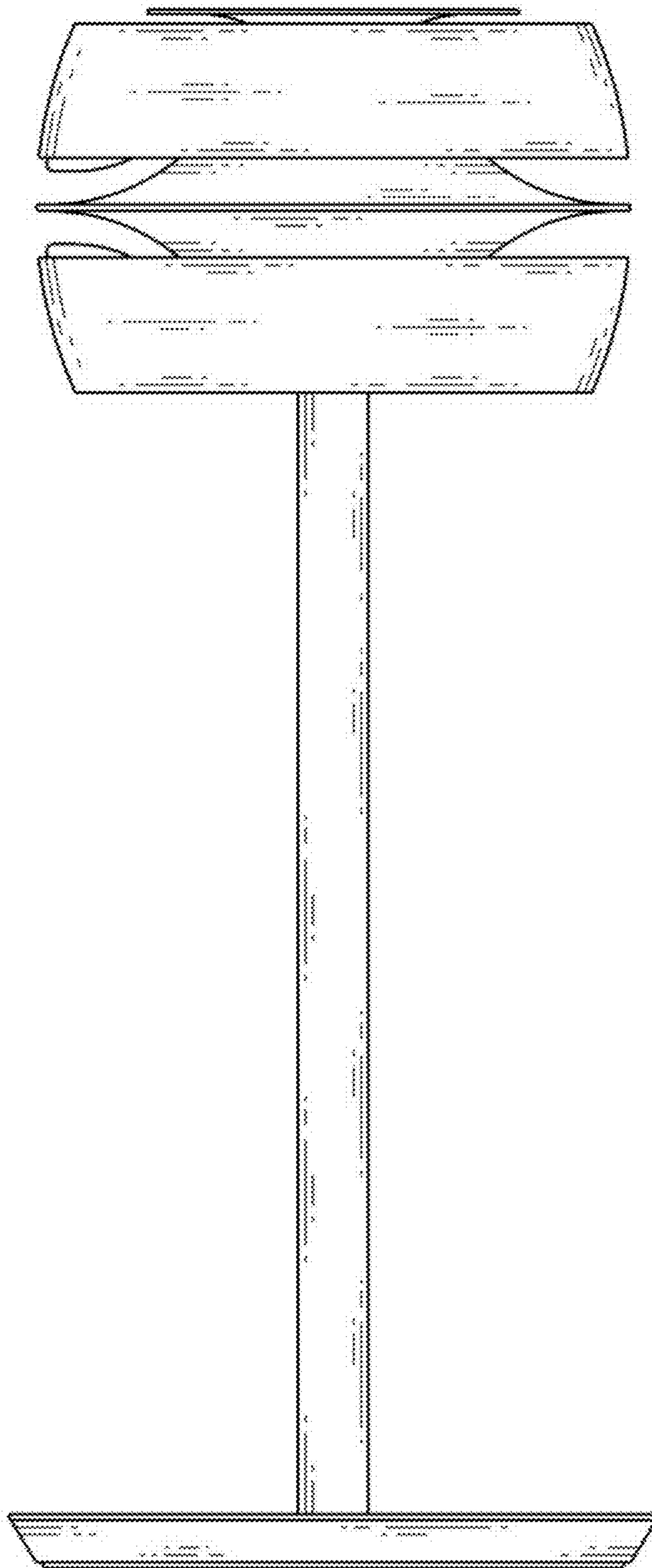




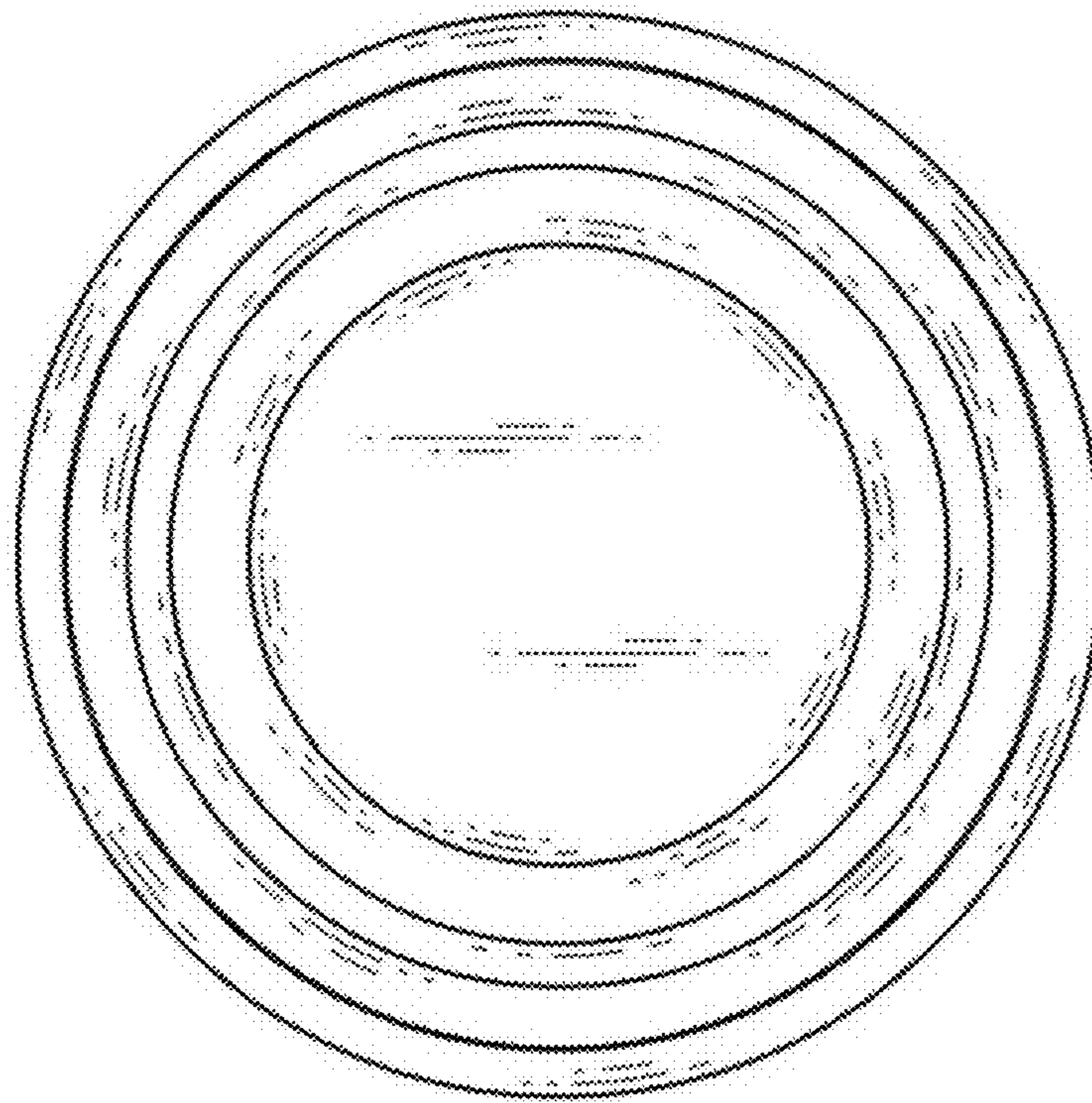
1.4



1.5



1.6



1.7

