



US00D803380S

(12) **United States Design Patent** (10) **Patent No.:** **US D803,380 S**  
**Holmes** (45) **Date of Patent:** **\*\* Nov. 21, 2017**

(54) **CEILING FAN**  
(71) Applicant: **HUNTER FAN COMPANY,**  
Memphis, TN (US)  
(72) Inventor: **Christine Holmes,** Memphis, TN (US)  
(73) Assignee: **Hunter Fan Company,** Memphis, TN  
(US)

D476,408 S \* 6/2003 Hidalgo ..... D23/411  
D477,397 S \* 7/2003 Chen ..... D23/411  
D478,974 S \* 8/2003 Hidalgo ..... D23/377  
D478,980 S \* 8/2003 Hidalgo ..... D23/411  
D480,133 S \* 9/2003 Chen ..... D23/377  
D485,903 S 1/2004 Hsu  
D492,762 S \* 7/2004 Young ..... D23/377  
D512,139 S \* 11/2005 Hidalgo ..... D23/377  
D531,306 S 10/2006 Badarello

(Continued)

(\*\*) Term: **15 Years**

**OTHER PUBLICATIONS**

(21) Appl. No.: **29/556,987**  
(22) Filed: **Mar. 4, 2016**  
(51) **LOC (10) Cl.** ..... **23-04**  
(52) **U.S. Cl.**  
USPC ..... **D23/377; D26/59**  
(58) **Field of Classification Search**  
USPC ..... D23/355, 370-376, 378-387, 412, 414,  
D23/377, 411, 413; D26/59; D12/214  
CPC ..... F04D 25/088; F21V 33/0096  
See application file for complete search history.

Minka Aire F577-BNW Concept | Outdoor Ceiling Fan, date first available Aug. 19, 2004, amazon.com, site visited Jul. 14, 2017, Copyright © 1996-2017, Available from Internet, https://www.amazon.com/F577-BNW-Concept-Outdoor-Ceiling-Integrated/dp/B003V6PN6Q/ref=sr\_1\_1?ie=UTF8&qid=1498058930&sr=8-1-spons&keywords=minka+aire+.\*

(Continued)

*Primary Examiner* — Cathron C Brooks  
*Assistant Examiner* — Sharon S Oum  
(74) *Attorney, Agent, or Firm* — McGarry Bair PC

(56) **References Cited**

(57) **CLAIM**

**U.S. PATENT DOCUMENTS**

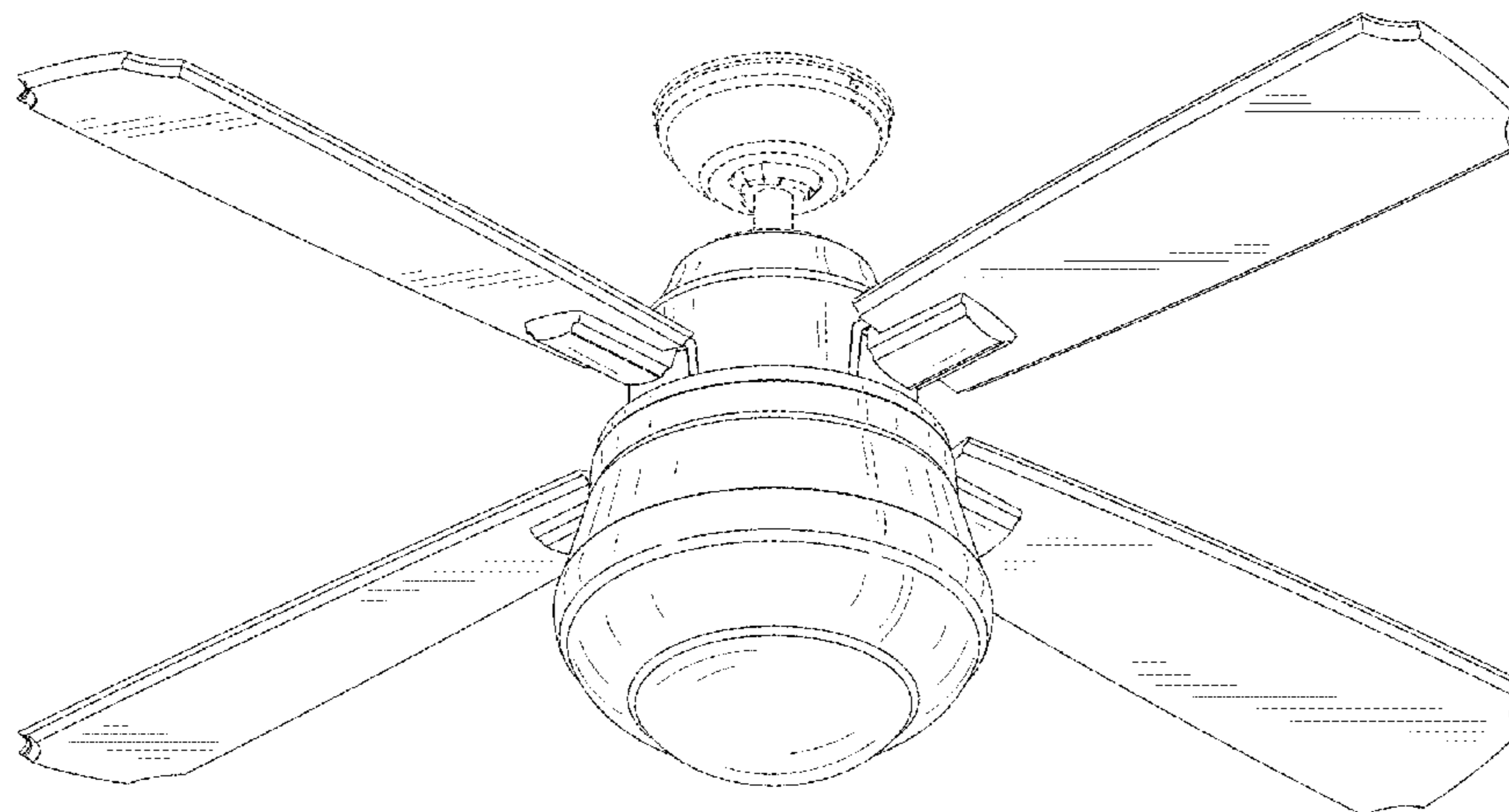
The ornamental design for a ceiling fan, as shown and described.

- 4,073,598 A \* 2/1978 Mizutani ..... F04D 25/0613  
416/170 R
- D270,942 S 10/1983 McCain
- D328,951 S \* 8/1992 Scofield ..... D23/411
- 5,151,011 A \* 9/1992 Rezek ..... F21V 33/0096  
416/5
- D346,439 S \* 4/1994 Liu ..... D23/377
- D393,902 S 4/1998 Pickett
- D407,814 S 4/1999 Lin
- D427,672 S \* 7/2000 Lee ..... D23/377
- D428,485 S 7/2000 Dolan
- D442,275 S 5/2001 Dolan
- D449,372 S 10/2001 Gajewski
- D449,682 S 10/2001 Gajewski
- D454,633 S \* 3/2002 Young ..... D23/411
- D466,206 S \* 11/2002 Gajewski ..... D23/377
- D475,782 S \* 6/2003 Hidalgo ..... D23/411

**DESCRIPTION**

FIG. 1 is a top perspective view of a ceiling fan showing my new design;  
FIG. 2 is a bottom perspective view of the ceiling fan of FIG. 1;  
FIG. 3 is a top view of the ceiling fan of FIG. 1;  
FIG. 4 is a bottom view of the ceiling fan of FIG. 1; and,  
FIG. 5 is a front side view of the ceiling fan of FIG. 1 with rear, left, and right side views being mirror images thereof. Portions of the ceiling fan shown in broken lines form no part of the claimed design.

**1 Claim, 5 Drawing Sheets**



(56)

**References Cited**

## U.S. PATENT DOCUMENTS

D532,104 S	11/2006	Pickett	
D534,268 S *	12/2006	Young	D23/377
D551,753 S	9/2007	Ertze	
D553,731 S *	10/2007	Bucher	D23/411
D566,259 S *	4/2008	Bucher	D23/377
D572,814 S *	7/2008	Bucher	D23/377
D583,493 S *	12/2008	Bucher	D26/59
D618,849 S *	6/2010	Allegretti	D26/131
D627,054 S	11/2010	Pan	
D630,312 S *	1/2011	Spaulding	D23/377
D645,135 S *	9/2011	Orozco	D23/413
D671,632 S *	11/2012	Jones	D23/411
D700,983 S	3/2014	Ertze	
D706,410 S *	6/2014	Pan	D23/411
D743,528 S	11/2015	Wang	
D744,633 S *	12/2015	Wang	D23/411

## OTHER PUBLICATIONS

Hampton Bay 184595 Sovana ceiling Fan with Remote Control and Light Kit, date first available Dec. 26, 2013, amazon.com, site visited Jul. 14, 2017, Copyright © 1996-2017, Available from Internet, [https://www.amazon.com/Hampton-Bay-184595-ceiling-Control/dp/B00HJC5TNU/ref=sr\\_1\\_1?ie=UTF8&qid=1500038544&sr=8-1&keywords=ha.\\*](https://www.amazon.com/Hampton-Bay-184595-ceiling-Control/dp/B00HJC5TNU/ref=sr_1_1?ie=UTF8&qid=1500038544&sr=8-1&keywords=ha.*)

Monte Carlo 4DDR52PND Ceiling Fans Diamond, date first available Mar. 25, 2015, amazon.com, site visited Jul. 14, 2017, Copyright © 1996-2017, Available from Internet, [https://www.amazon.com/Monte-Carlo-4DDR52PND-Ceiling-Diamond/dp/B00VNKVR4E/ref=sr\\_1\\_1?ie=UTF8&qid=1500038684&sr=8-1&keywords=monte+carlo+diamond.\\*](https://www.amazon.com/Monte-Carlo-4DDR52PND-Ceiling-Diamond/dp/B00VNKVR4E/ref=sr_1_1?ie=UTF8&qid=1500038684&sr=8-1&keywords=monte+carlo+diamond.*)

<http://www.craftmade.com/Craftmade-B568C-SE1-Walnut-Ceiling-Fan-Blades.HTM>, Item Specification for the 68" Custom Carved Blade in Seville Walnut, Product # B568C—SE1, accessed Mar. 3, 2016.

<http://www.fanimation.com/products/index.php/fans/crestford.html>, Item Specification for the Fanimation Crestford Model No. FP7954, accessed Mar. 3, 2016.

<http://www.craftmade.com/Craftmade-FB60OBG5-Oiled-Bronze-Gilded-Outdoor-Ceiling-Fan.HTM>, Item Specification for the Craftmade Fredericksburg 60" Ceiling Fan Blades Included in Oiled Bronze Gilded with Clear See Product #: FB60OBG5, accessed Mar. 3, 2016.

<http://www.modernfan.com/products/cloud.html>, Item Specification for the Modern Fan Cloud, accessed Mar. 3, 2016.

<http://www.kichler.com/products/product/maor-patio-65-ceiling-fan-weathered-zinc-wzc-31013.aspx>, Item Specification for the Kichler Maor Patio Collection, Maor Patio 65" Ceiling Fan—Weathered Zinc WZC 310136WZC, accessed Mar. 3, 2016.

<http://www.kichler.com/products/product/54-inch-porters-lake-fan-mdw-310110mdw.aspx>, Item Specification for the Kichler Porters Lake Fan, 54 Inch Porters Lake Fan MDW 310110MDW (Mediterranean Walnut), accessed Mar. 3, 2016.

<http://www.fanimation.com/products/crestford>, Item Specification for the Fanimation Crestford Model No. FP7954, accessed Mar. 3, 2016.

<http://www.craftmade.com/Craftmade-FB60OBG5-Oiled-Bronze-Gilded-Outdoor-Ceiling-Fan.HTM>, Item Specification for the Craftmade Fredericksburg 60" Ceiling Fan Blades Included in Oiled Bronze Gilded with Clear See Product #: FB60OBG5 (647881105471 - 167849), accessed Mar. 3, 2016.

<http://www.craftmade.com/Craftmade-B556C-SE1-Walnut-Ceiling-Fan-Blades.HTM>, Item Specification for the Craftmade B556C Blades 56" Custom Carved Blade in Seville Walnut (Blades Sold Separately) Product #: B556C-SE1, accessed Mar. 3, 2016.

\* cited by examiner

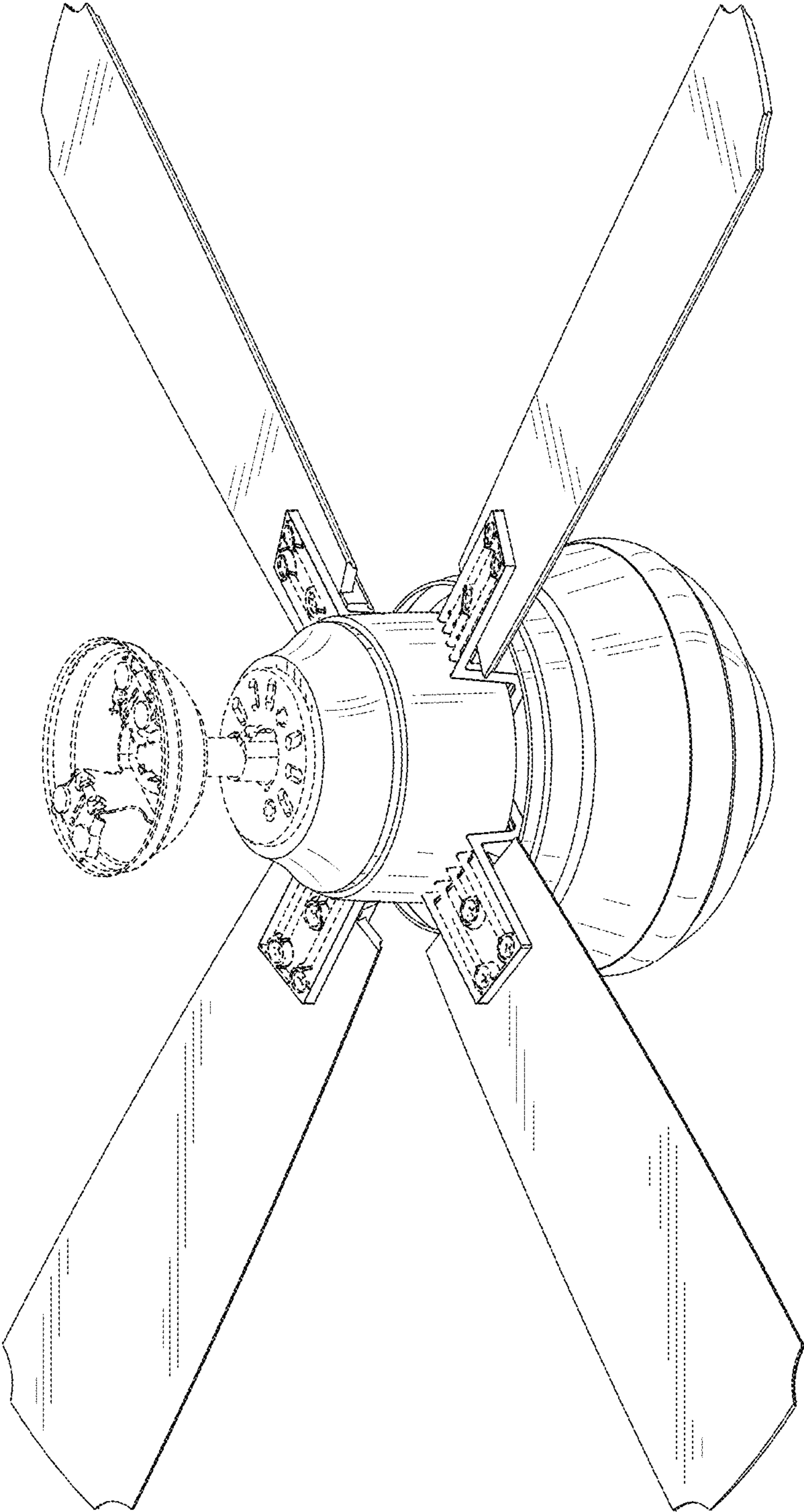


FIG. 1

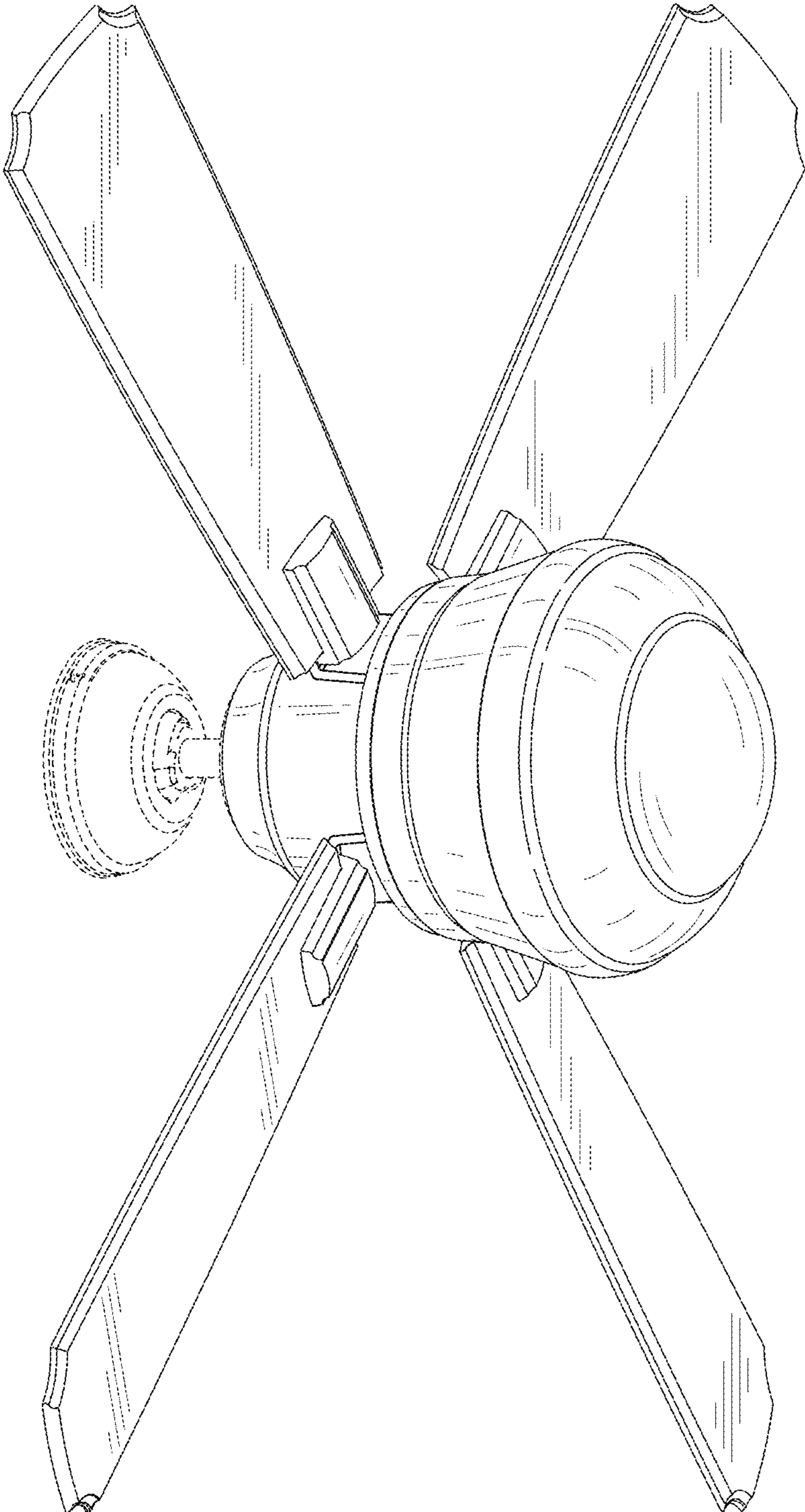


FIG. 2

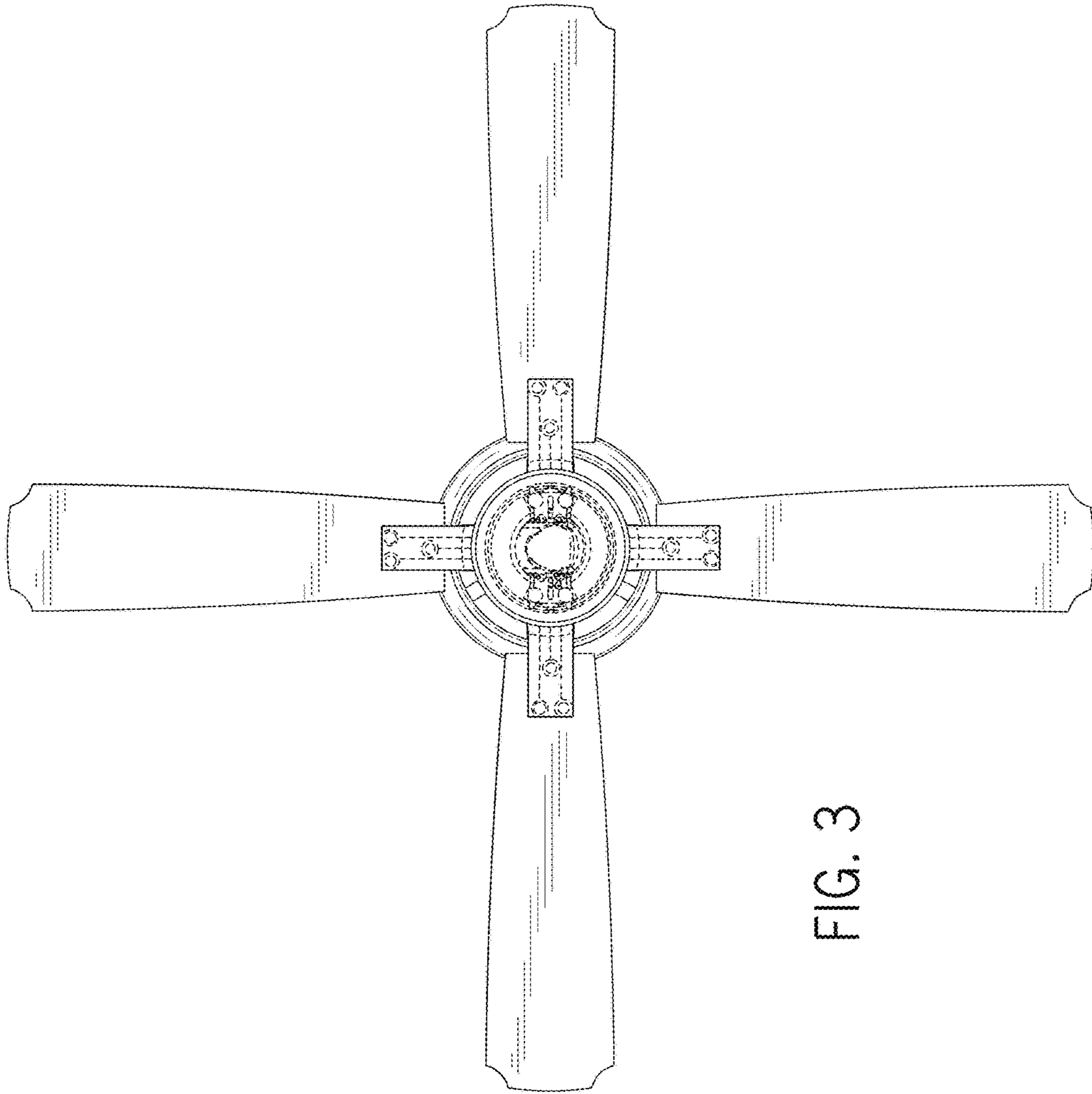


FIG. 3

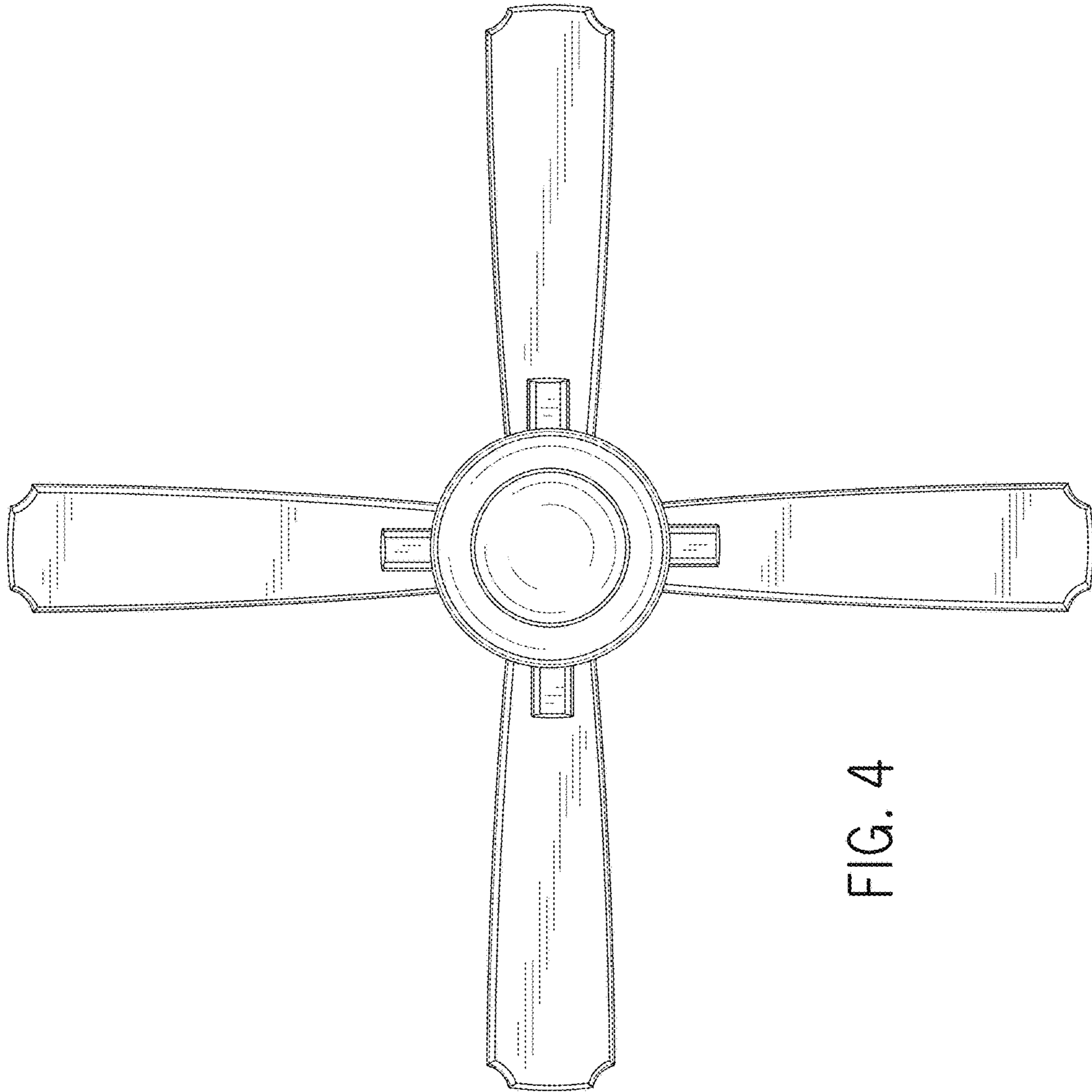


FIG. 4

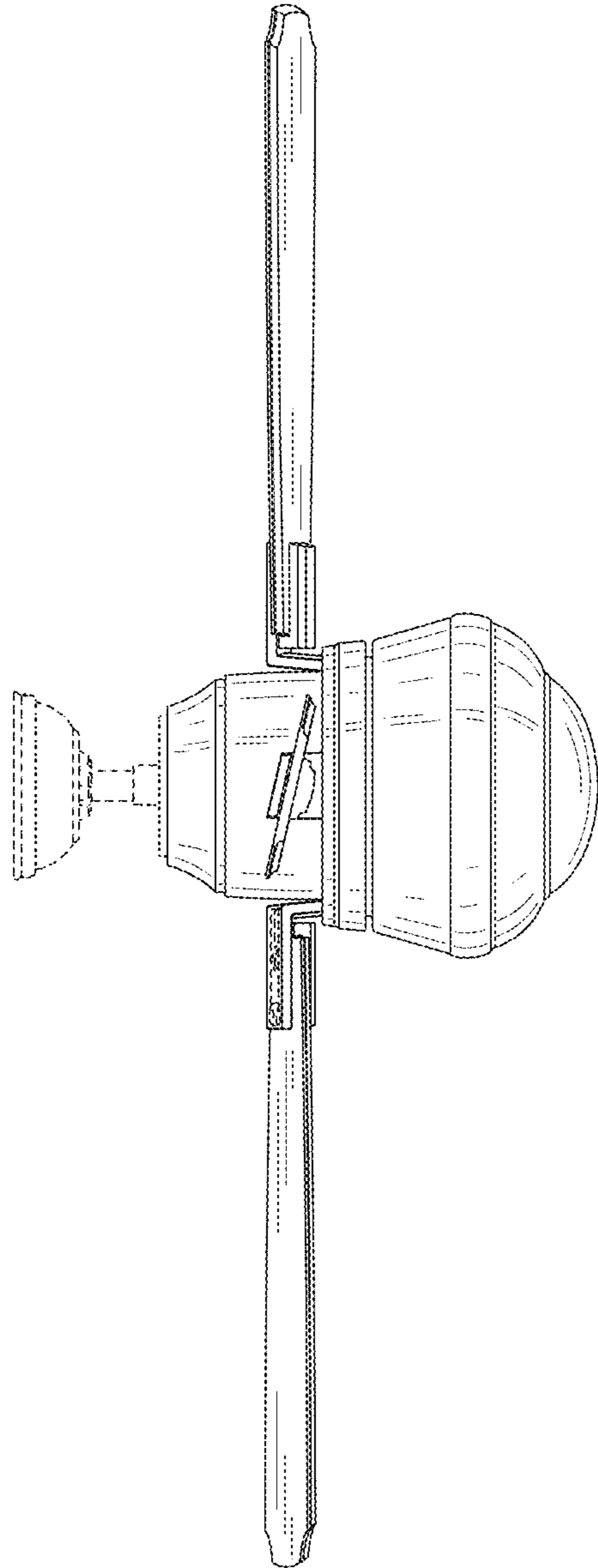


FIG. 5