



US00D803379S

(12) **United States Design Patent** (10) **Patent No.:** **US D803,379 S**
Badarello (45) **Date of Patent:** **** Nov. 21, 2017**

(54) **CEILING FAN**
(71) Applicant: **Hunter Fan Company**, Memphis, TN (US)
(72) Inventor: **Christophe Badarello**, Holly Springs, MS (US)
(73) Assignee: **Hunter Fan Company**, Memphis, TN (US)

D595,401 S * 6/2009 Sturm D23/377
D597,649 S * 8/2009 Frampton D23/377
D629,501 S * 12/2010 Liu D23/377
D636,480 S * 4/2011 Frampton D23/377
8,043,064 B2 10/2011 Huang et al.
D671,203 S * 11/2012 Wang D23/377
D681,188 S 4/2013 Hu et al.
D688,783 S * 8/2013 DeFilippis D23/379
D725,252 S * 3/2015 Hamada D12/214
D727,490 S * 4/2015 Hatz D23/413
D761,949 S * 7/2016 Badarello D23/377
2006/0172688 A1 8/2006 Johnson

(**) Term: **14 Years**

(21) Appl. No.: **29/514,389**
(22) Filed: **Jan. 12, 2015**
(51) **LOC (10) Cl.** **23-04**
(52) **U.S. Cl.**
USPC **D23/377**
(58) **Field of Classification Search**
USPC D23/377, 379-380, 385, 411-414;
D26/59
CPC F04D 25/088
See application file for complete search history.

(Continued)

OTHER PUBLICATIONS

Performance Boat Propeller Set, posted Jan. 13, 2011, turbosquid.com, site visited Nov. 17, 2016, Copyright © 2016, Available from Internet, <<http://www.turbosquid.com/3d-models/3d-set-propellers-boats/580473>>.*

(Continued)

Primary Examiner — Cathron Brooks
Assistant Examiner — Sharon S Oum
(74) *Attorney, Agent, or Firm* — McGarry Bair PC

(56) **References Cited**

U.S. PATENT DOCUMENTS

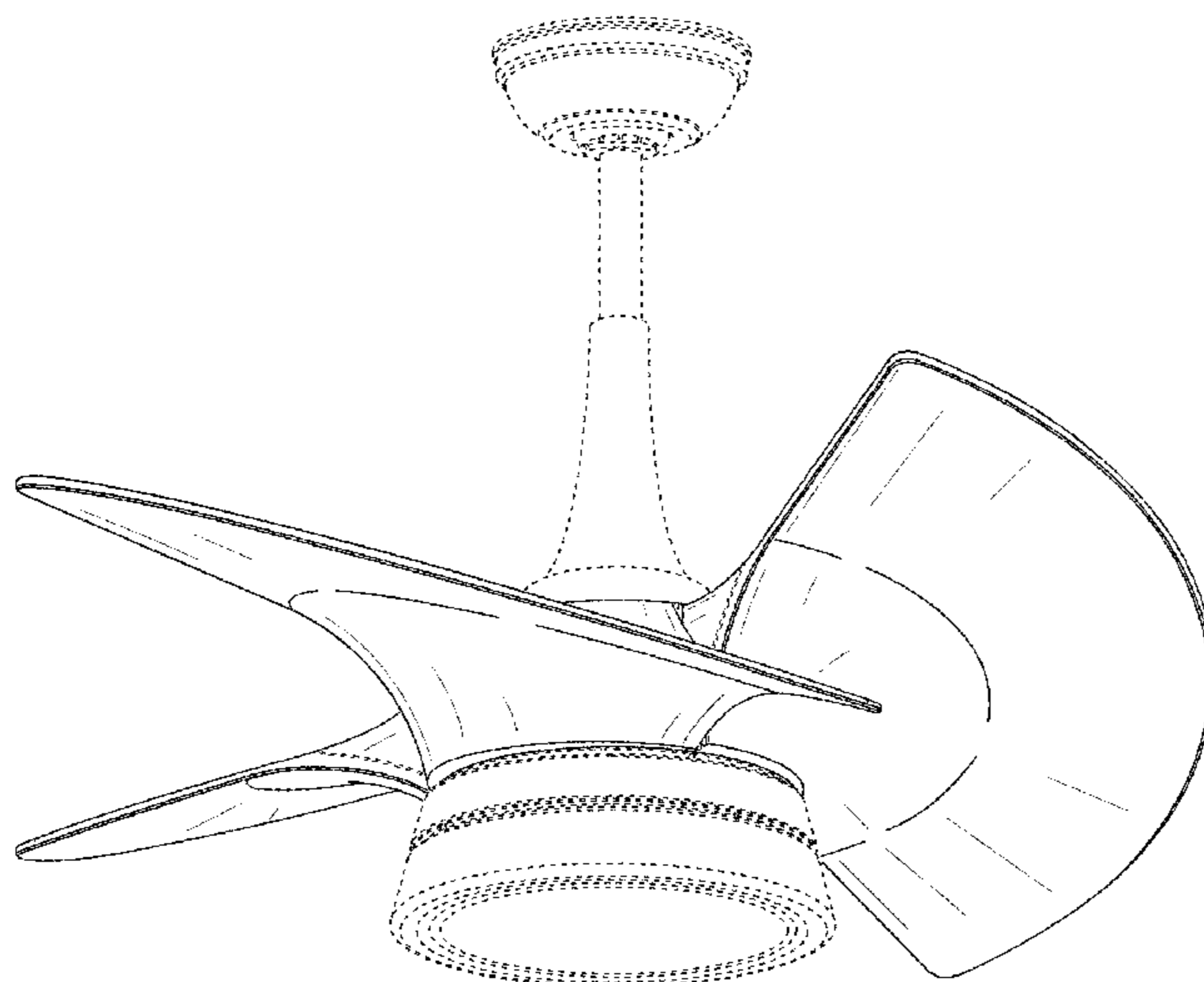
2,022,417 A 11/1935 Gilbert et al.
4,893,990 A 1/1990 Tomohiro et al.
D397,427 S * 8/1998 Junkel D23/328
D438,609 S 3/2001 Colliver
D451,997 S * 12/2001 Schwartz D23/379
D454,390 S * 3/2002 Steiner D23/379
D468,010 S * 12/2002 Ishijima D23/413
D477,393 S * 7/2003 Johnson D23/377
D482,064 S * 11/2003 Steiner D19/123
6,702,552 B1 3/2004 Harman
6,902,377 B2 6/2005 Crocker
D509,584 S * 9/2005 Li D23/413
D513,317 S * 12/2005 Melwani D23/379
D558,324 S 12/2007 Hong
D561,888 S * 2/2008 Yang D23/379

(57) **CLAIM**
The ornamental design for a ceiling fan, as shown and described.

DESCRIPTION

FIG. 1 is a top perspective view of a ceiling fan showing my new design;
FIG. 2 is an additional perspective view thereof;
FIG. 3 is a side elevation view thereof;
FIG. 4 is an additional side view thereof;
FIG. 5 is a top view thereof; and,
FIG. 6 is a bottom view thereof.
The broken lines in the drawings illustrate portions of the ceiling fan that form no part of the claimed design.

1 Claim, 6 Drawing Sheets



(56)

References Cited

U.S. PATENT DOCUMENTS

2008/0298968 A1 * 12/2008 Frampton F04D 25/088
416/170 R
2012/0219440 A1 8/2012 Seccareccia

OTHER PUBLICATIONS

<http://www.kichler.com/products/product/terna-led-pendant-fan-brushed-nickel-ni-300230ni.aspx>, Item Specification for Terna LED Pendant Fan—Brushed Nickel NI 300230NI, accessed Apr. 9, 2015.
<http://www.montecarlofans.com/product.search?SS=elliptical>, Item Specification for Elliptical 44" Ceiling Fan 3ELR44WH, accessed Apr. 9, 2015.
<http://www.quoruminternational.com/index.cfm/app/productDetail?product=26424-155>, Item Specification for Brushed Nickel Ceiling Fan 26424-155, accessed Apr. 9, 2015.
<http://www.homedepot.com/p/TroposAir-The-L-A-44-in-Indoor-Outdoor-Satin-Steel-Ceiling-Fan-88300/204163230>, Item Specification for The L.A. 44 in. Indoor/Outdoor Satin Steel Ceiling Fan 88300, accessed Apr. 9, 2015.

* cited by examiner

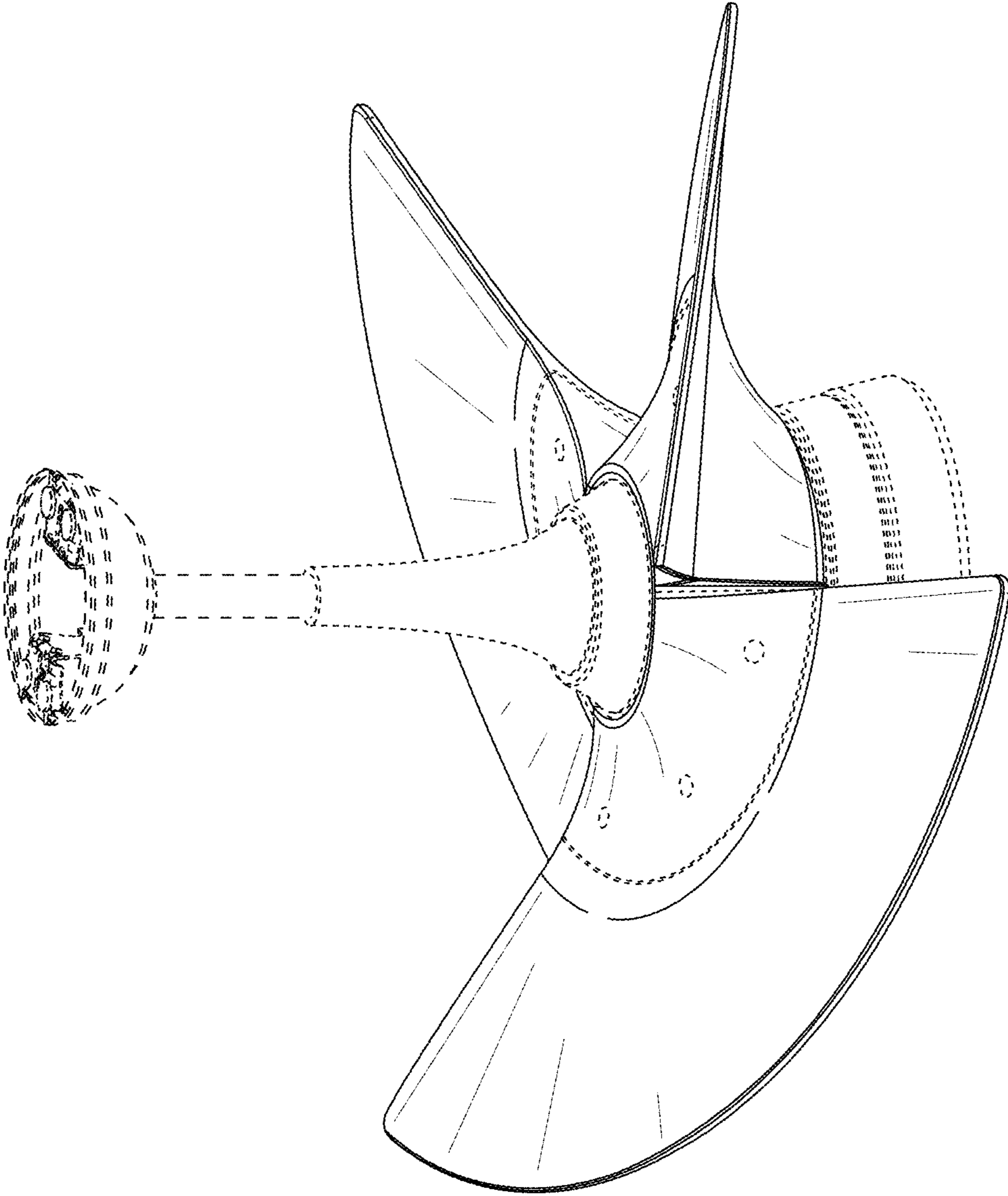


FIG. 1

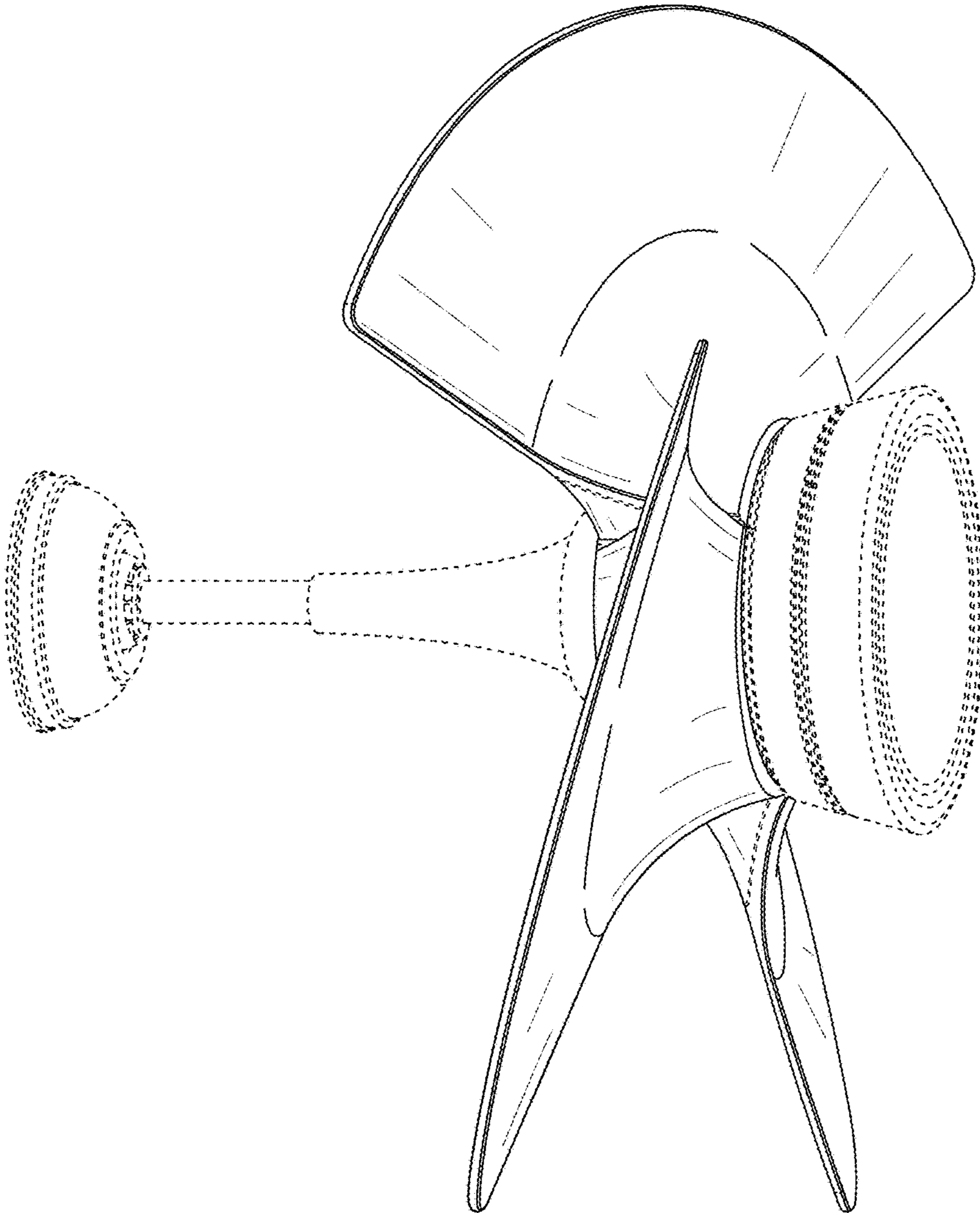


FIG. 2

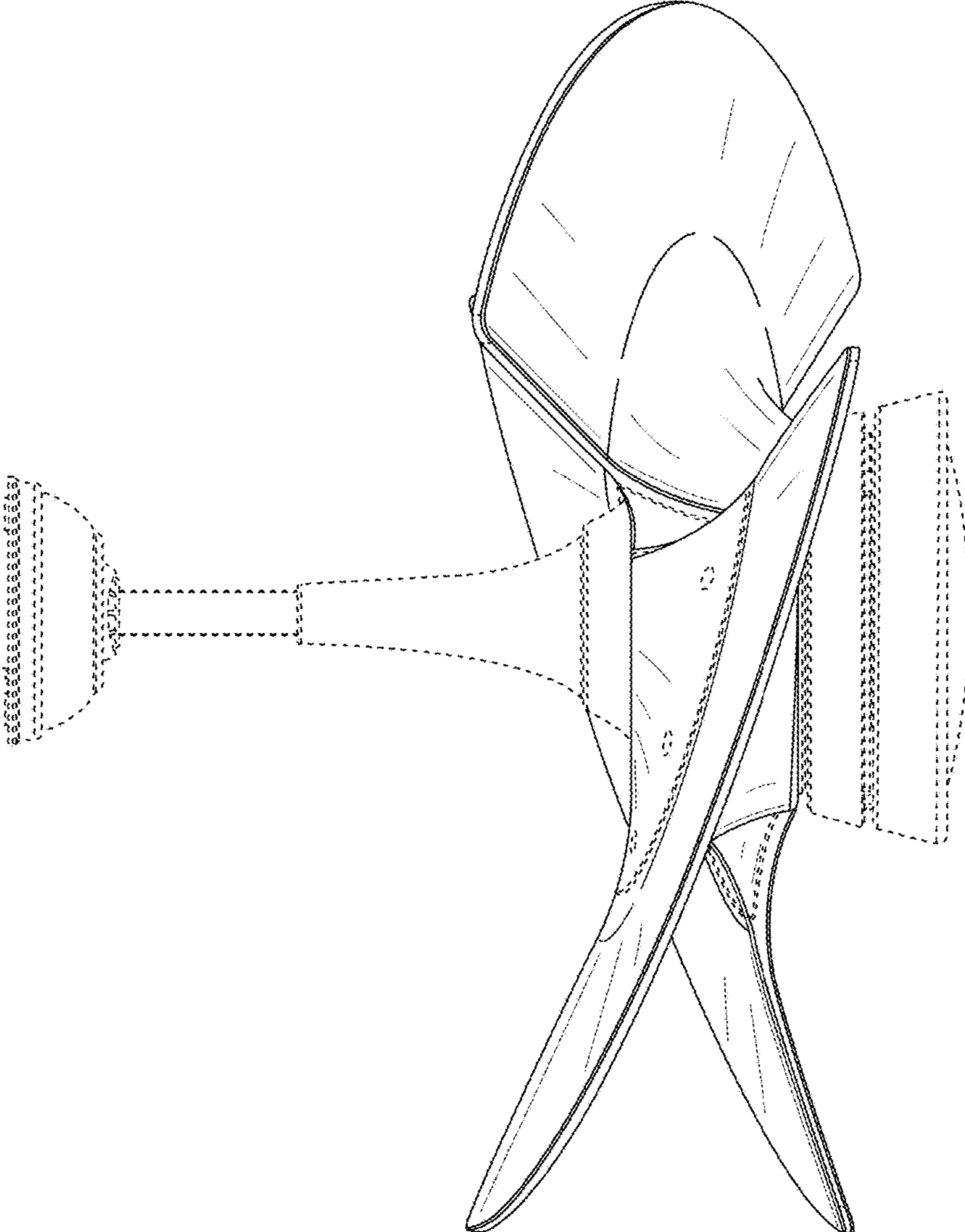


FIG. 3

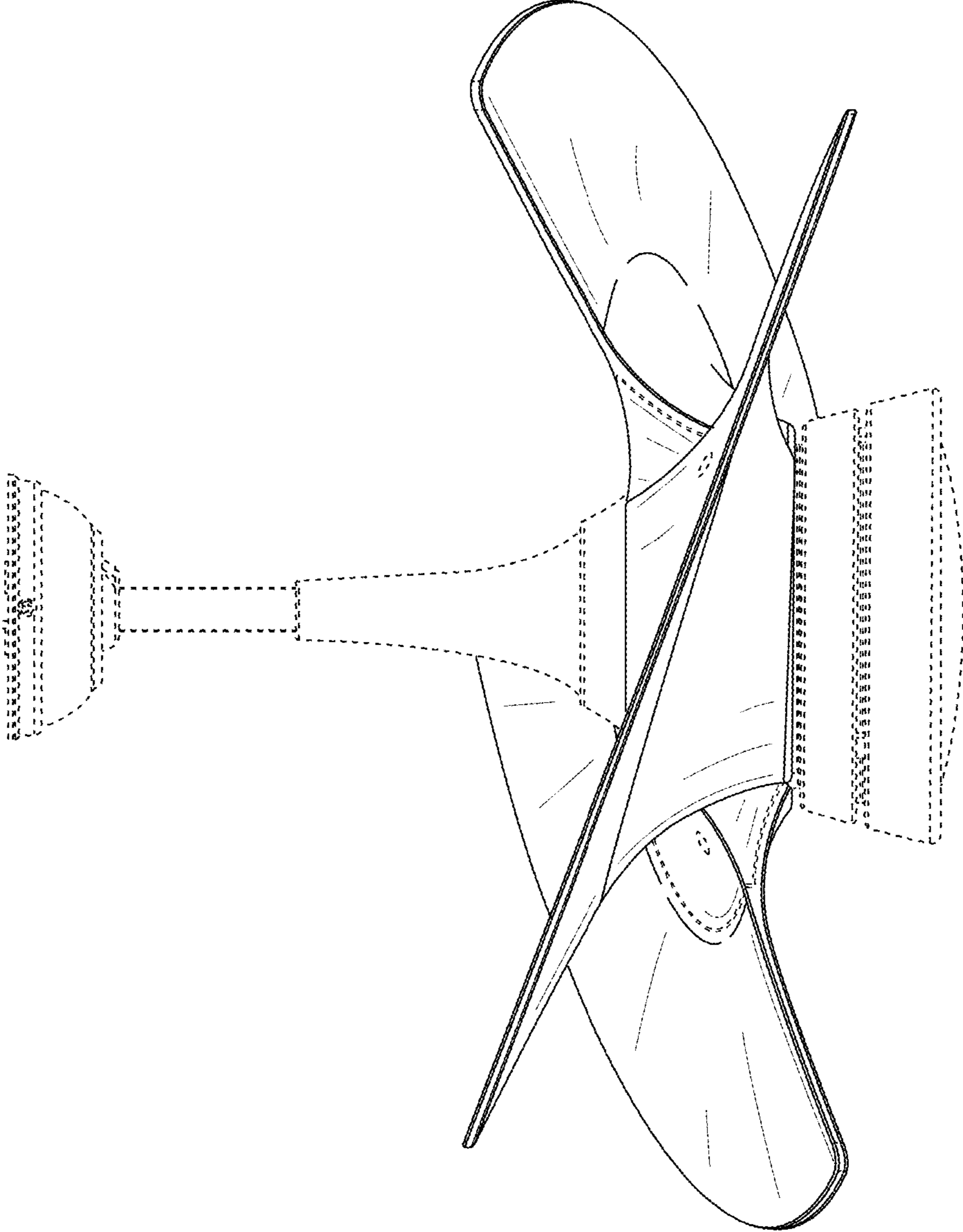


FIG. 4

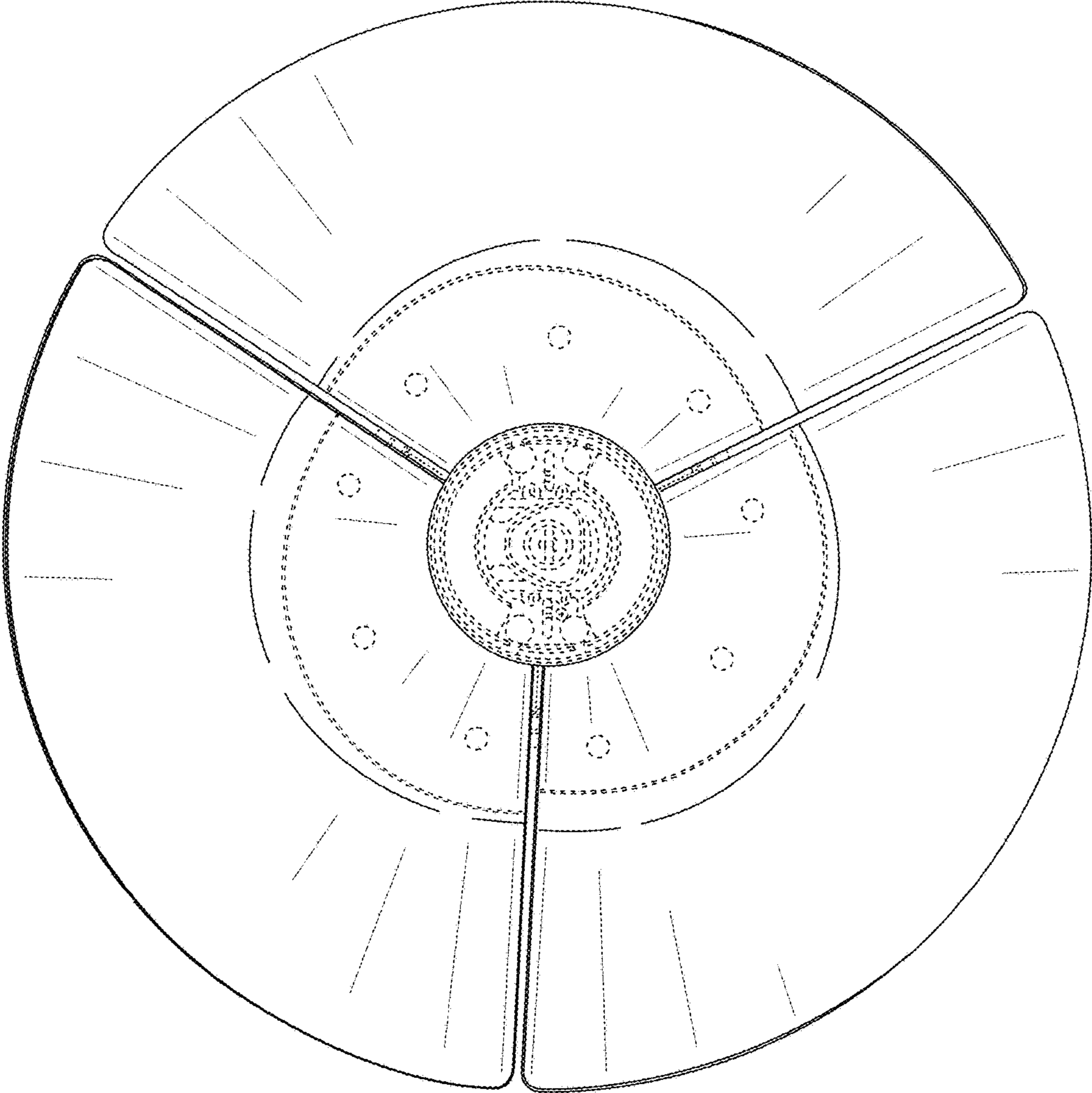


FIG. 5

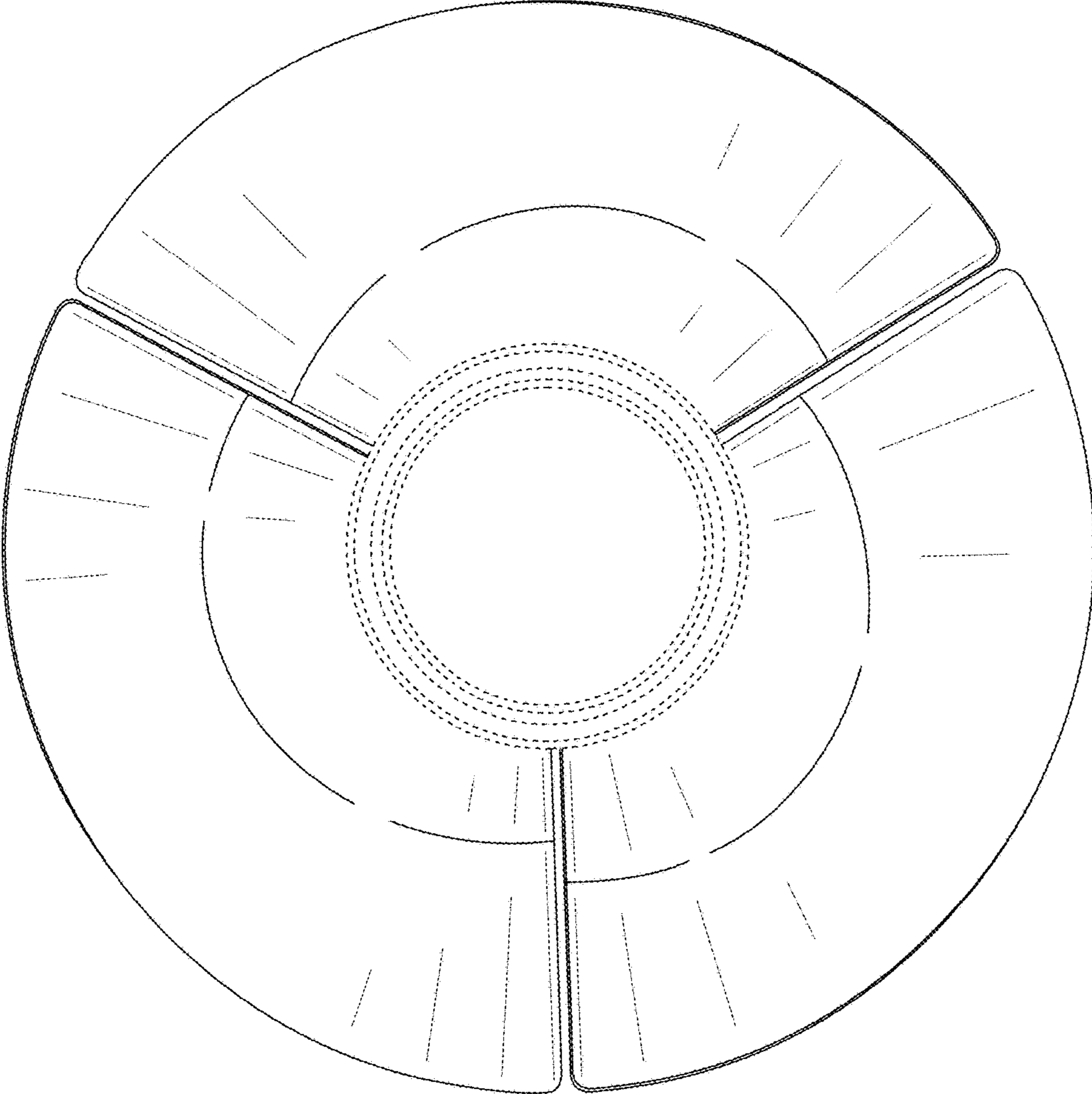


FIG. 6