



US00D803377S

(12) **United States Design Patent** (10) **Patent No.:** **US D803,377 S**  
**Gobber et al.** (45) **Date of Patent:** **\*\* Nov. 21, 2017**

(54) **AIR FRESHENER**

CPC ... A61L 9/02; A61L 9/03; A61L 9/034; A61L 9/04; A61L 9/12; A61L 9/032; A61L 9/122; A61L 9/127; A61L 9/22

(71) Applicant: **ZOBELE HOLDING SPA**, Trento (IT)

See application file for complete search history.

(72) Inventors: **Cedric Gobber**, Barcelona (ES);  
**Joaquim Llorente Alonso**, Barcelona (ES)

(56) **References Cited**

(73) Assignee: **ZOBELE HOLDING SPA**, Trento (IT)

U.S. PATENT DOCUMENTS

(\*\*) Term: **15 Years**

D544,594 S \* 6/2007 Zobebe ..... D23/366  
D648,018 S \* 11/2011 Sordo ..... D23/366  
D658,753 S \* 5/2012 Zhang ..... D23/366  
D698,431 S \* 1/2014 Garbusi ..... D23/366  
D698,912 S \* 2/2014 Garbusi ..... D23/366  
D699,334 S \* 2/2014 Alesi ..... D23/366  
D715,915 S \* 10/2014 Schouten ..... A61L 9/03  
D23/368

(21) Appl. No.: **35/500,965**

D767,109 S \* 9/2016 Gobber ..... D23/368  
2013/0266486 A1 \* 10/2013 Wu ..... A61L 9/12  
422/123

(22) Filed: **Nov. 18, 2015**

(80) **Hague Agreement Data**

Int. Filing Date: **Nov. 18, 2015**  
Int. Reg. No.: **DM/089562**  
Int. Reg. Date: **Nov. 18, 2015**  
Int. Reg. Pub. Date: **May 20, 2016**

\* cited by examiner

*Primary Examiner* — Keli L Hill

(74) *Attorney, Agent, or Firm* — Ostrolenk Faber LLP

(30) **Foreign Application Priority Data**

May 18, 2015 (EM) ..... 002702340-0006

(57) **CLAIM**

The ornamental design for an air freshener, as shown and described.

(51) **LOC (10) Cl.** ..... **28-99**

**DESCRIPTION**

(52) **U.S. Cl.**

USPC ..... **D23/366**

1. Air freshener

(58) **Field of Classification Search**

USPC ..... D23/355-369; D28/5, 6; 261/DIG. 17,  
261/DIG. 42, DIG. 47, DIG. 55, DIG. 65,  
261/DIG. 70, DIG. 88, DIG. 89; 392/386,  
392/389, 394, 395, 403; 239/34, 44, 45,  
239/53, 56

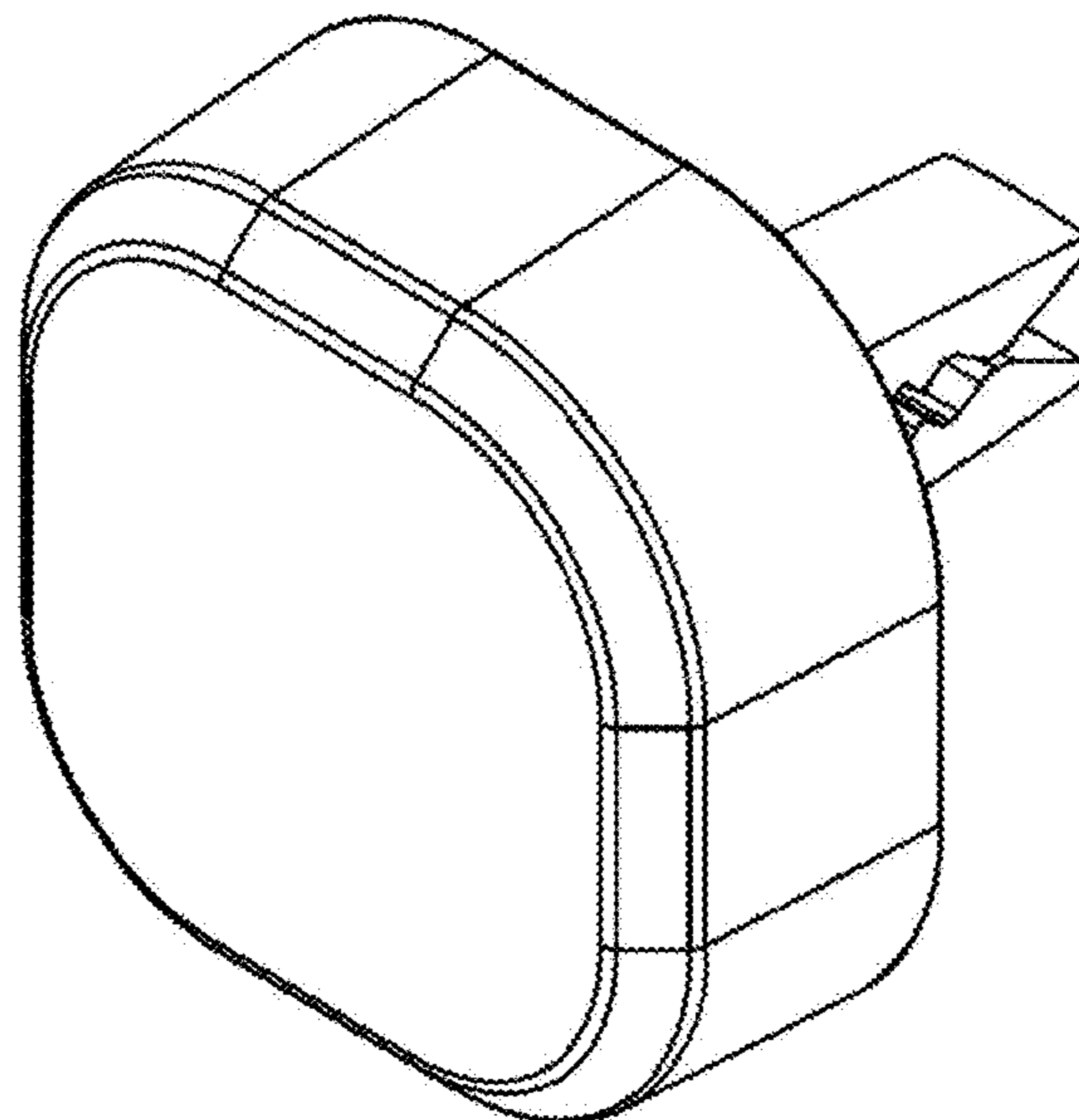
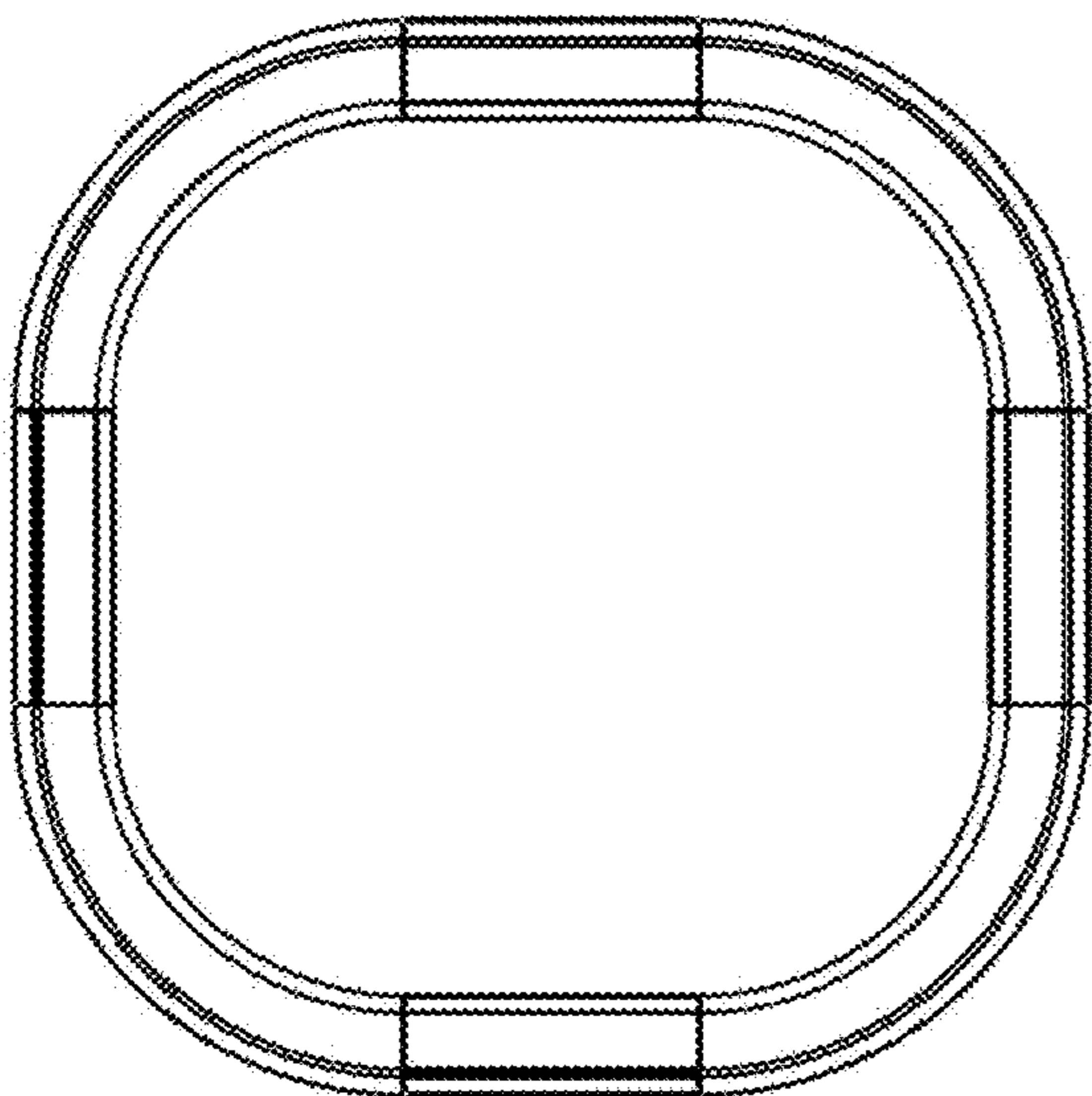
1.1 is a side elevation view of an air freshener showing my new design;

1.2 is a front elevation view thereof;

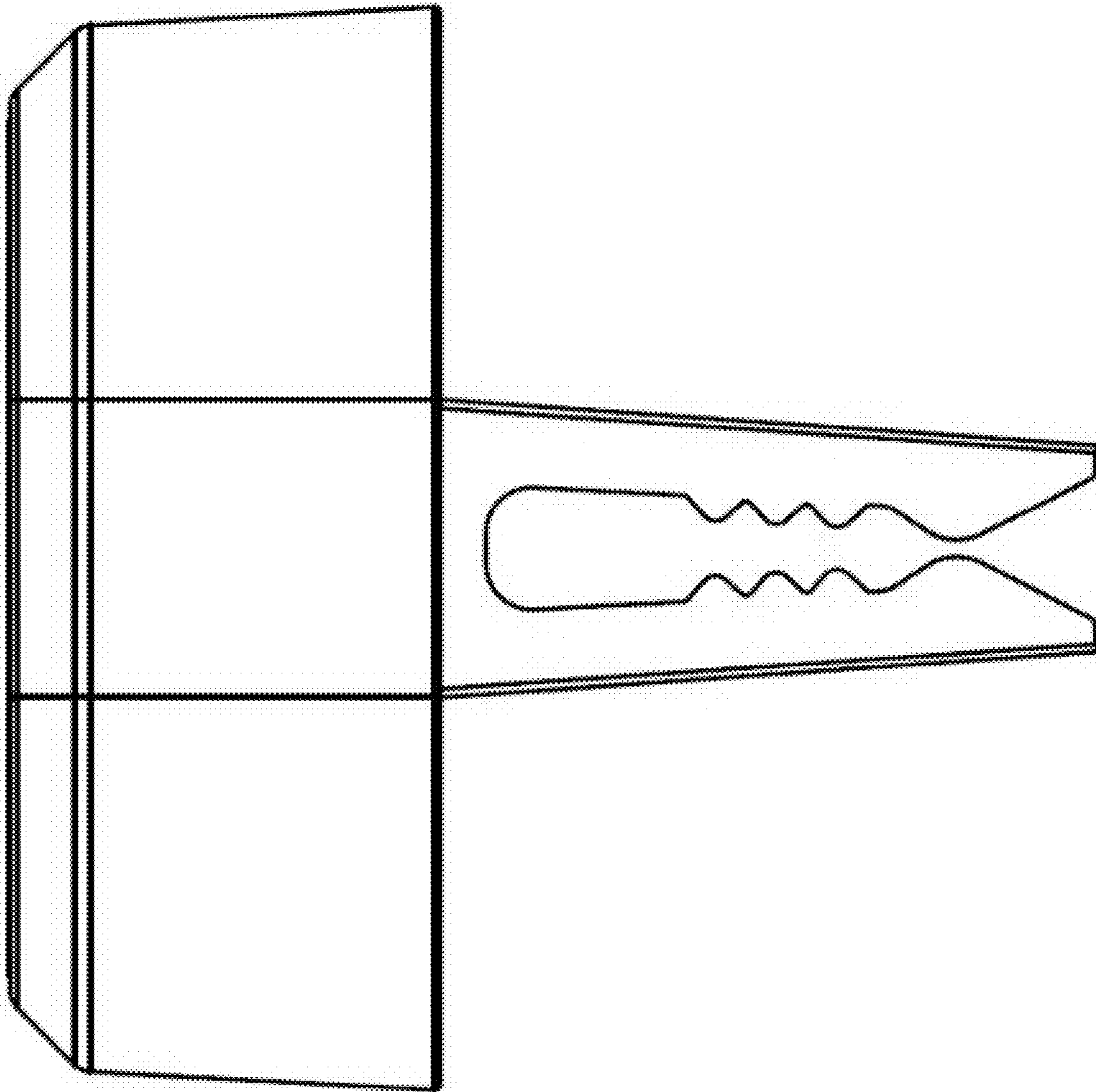
1.3 is a top, front and side perspective view thereof; and

1.4 is a top, rear and opposite side perspective view thereof.

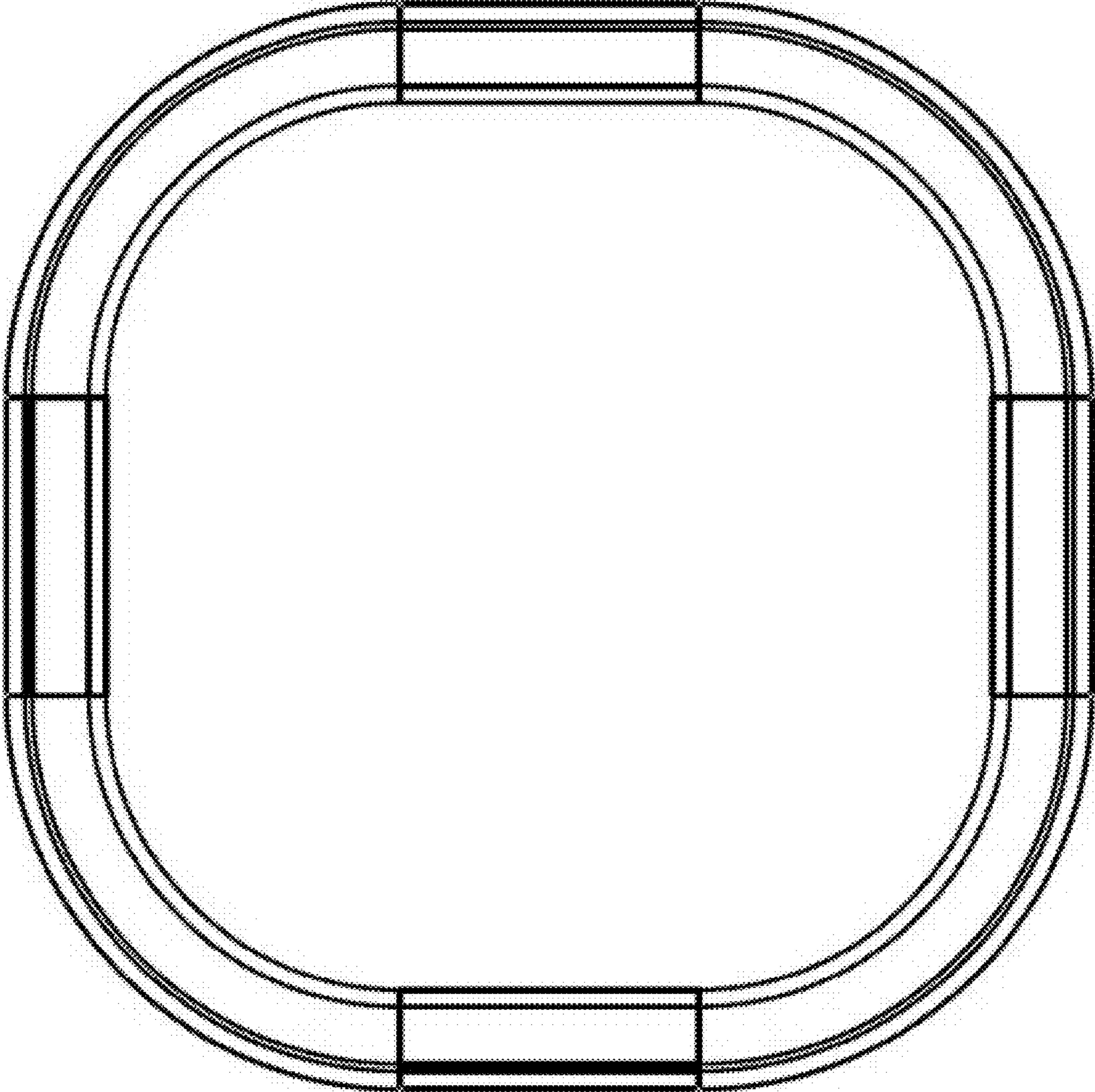
**1 Claim, 4 Drawing Sheets**



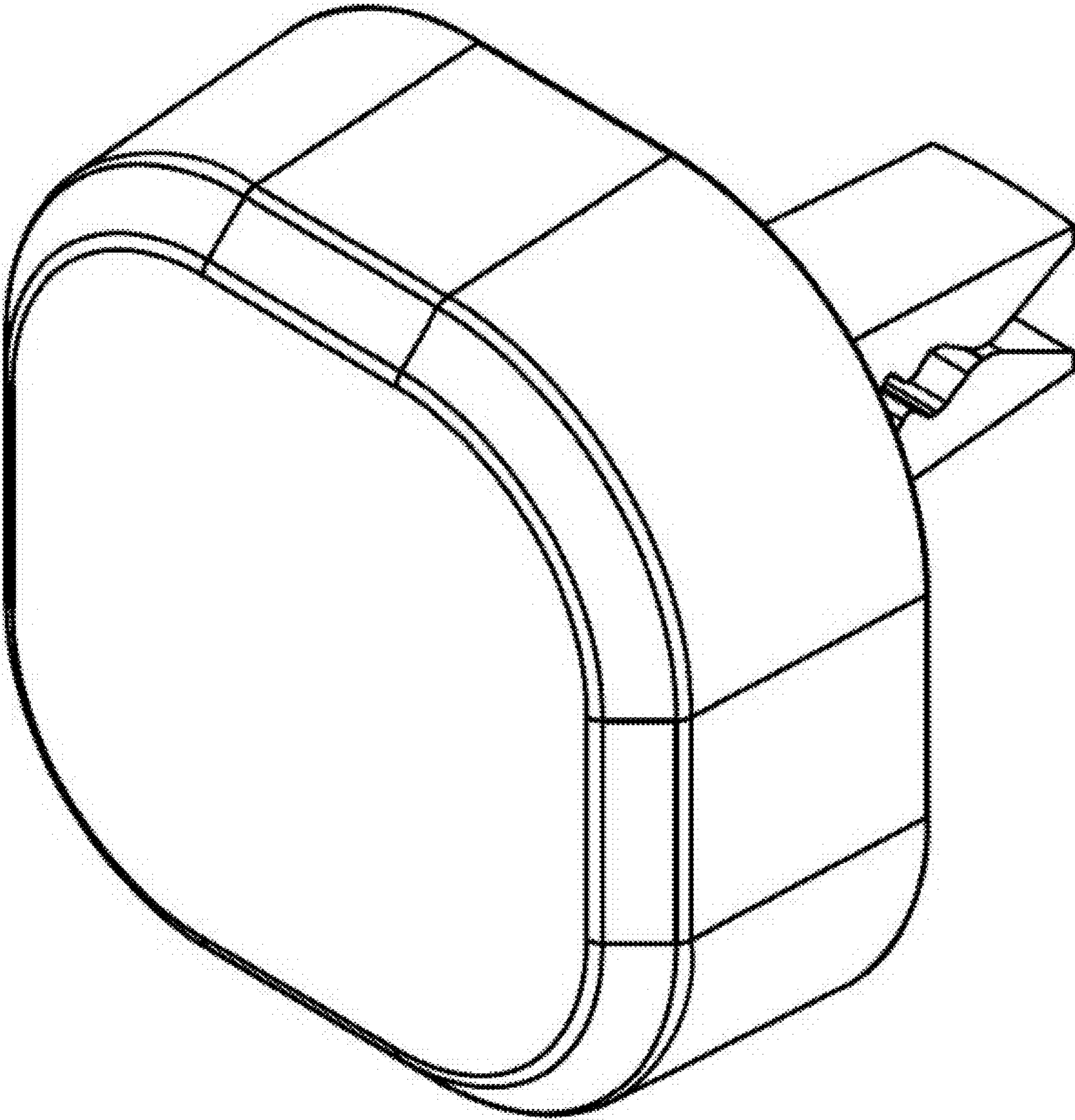
**1.1**



1.2



1.3



1.4

