



US00D803376S

(12) **United States Design Patent** (10) **Patent No.:** **US D803,376 S**
Gobber et al. (45) **Date of Patent:** **** Nov. 21, 2017**

(54) **AIR FRESHENER**

(71) Applicant: **ZOBELE HOLDING SPA**, Trento (IT)

(72) Inventors: **Cedric Gobber**, Barcelona (ES);
Joaquim Llorente Alonso, Barcelona (ES)

(73) Assignee: **ZOBELE HOLDING SPA**, Trento (IT)

(**) Term: **15 Years**

(21) Appl. No.: **35/500,957**

(22) Filed: **Nov. 18, 2015**

(80) **Hague Agreement Data**

Int. Filing Date: **Nov. 18, 2015**

Int. Reg. No.: **DM/088275**

Int. Reg. Date: **Nov. 18, 2015**

Int. Reg. Pub. Date: **May 20, 2016**

(30) **Foreign Application Priority Data**

May 18, 2015 (EM) 002702340-0009

(51) **LOC (10) Cl.** **28-99**

(52) **U.S. Cl.**
USPC **D23/366; D9/500**

(58) **Field of Classification Search**

USPC D23/355-369; D28/5, 6; 261/DIG. 17,
261/DIG. 42, DIG. 47, DIG. 55, DIG. 65,
261/DIG. 70, DIG. 88, DIG. 89; 392/386,
392/389, 394, 395, 403; 239/34, 44, 45,
239/53, 56; D9/500, 519, 530, 537, 539,
D9/542, 549, 558, 574

CPC ... A61L 9/02; A61L 9/03; A61L 9/034; A61L
9/04; A61L 9/12; A61L 9/032; A61L
9/122; A61L 9/127; A61L 9/22

See application file for complete search history.

(56) **References Cited**

U.S. PATENT DOCUMENTS

D288,842 S *	3/1987	Kwiatkowski	D23/366
D425,220 S *	5/2000	Klett	D26/16
D449,877 S *	10/2001	Delmenico	D23/356
D581,035 S *	11/2008	Conway	D23/366
D635,653 S *	4/2011	Conway	D11/152
D658,994 S *	5/2012	Ritzenhoff	D9/500
D698,429 S *	1/2014	Jorgensen	D23/366
D698,909 S *	2/2014	Chou	D23/366
D698,910 S *	2/2014	Lin	D23/366
D699,578 S *	2/2014	Marina	D9/500
D701,767 S *	4/2014	Marina	D9/500
D729,370 S *	5/2015	Chou	D23/366
D732,653 S *	6/2015	Hsiao	D23/366
D732,978 S *	6/2015	Kick	D9/772
D739,267 S *	9/2015	Kick	D9/500
D772,391 S *	11/2016	Zimmerli	D23/366

* cited by examiner

Primary Examiner — Keli L Hill

(74) *Attorney, Agent, or Firm* — Ostrolenk Faber LLP

(57) **CLAIM**

The ornamental design for an air freshener, as shown and described.

DESCRIPTION

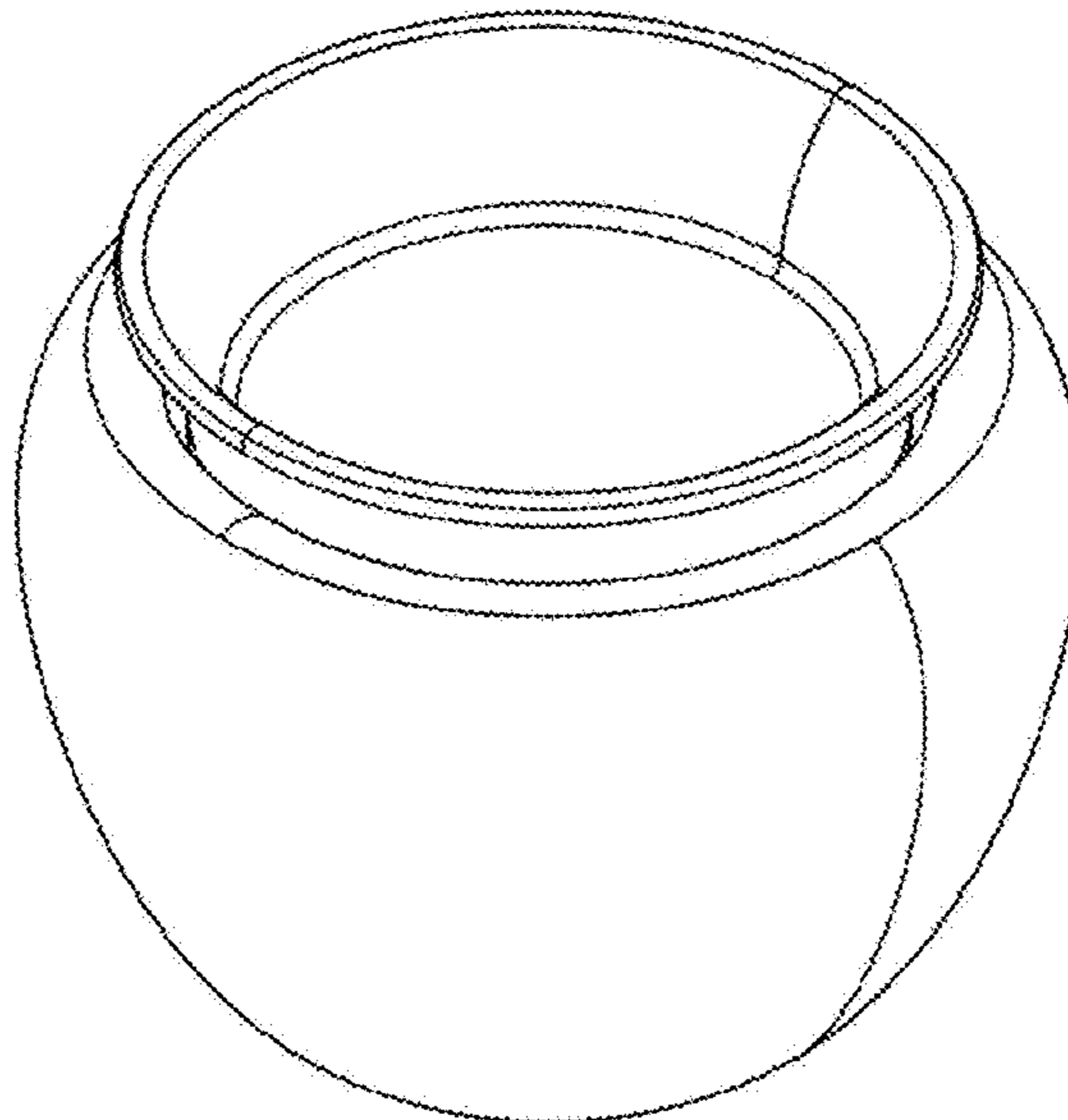
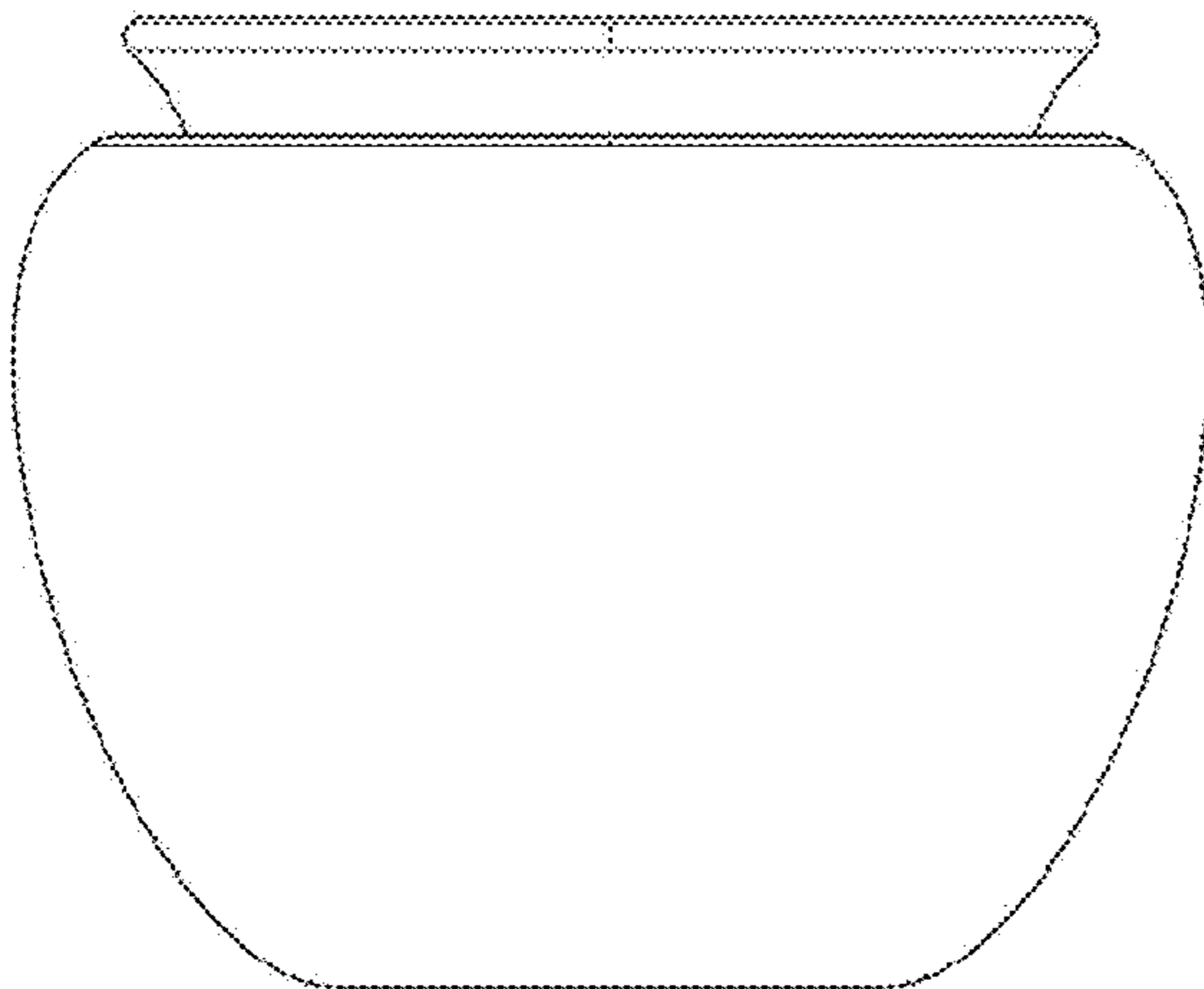
1.1 is a front elevation view of an air freshener showing my new design;

1.2 is a side elevation view thereof;

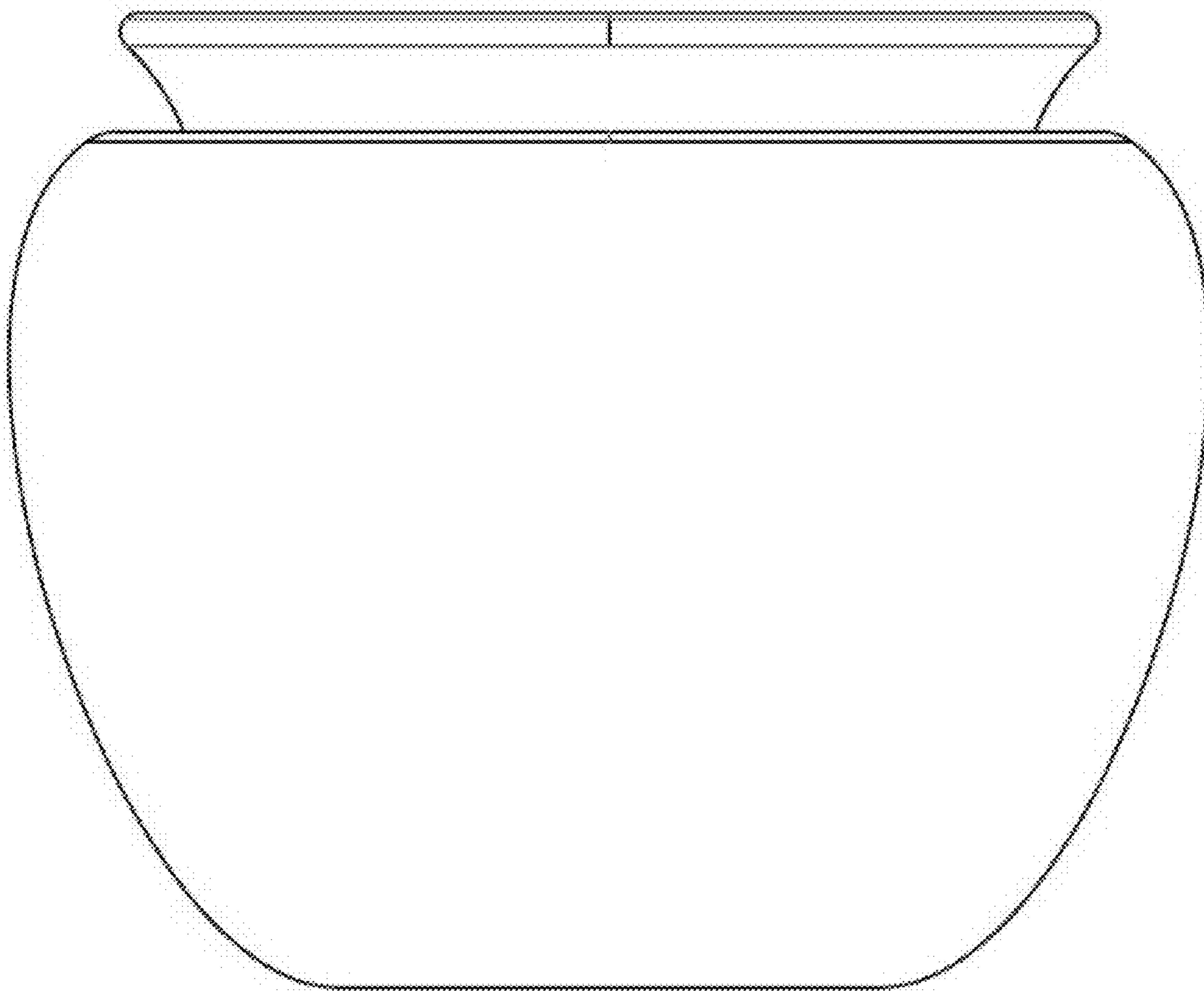
1.3 is a top, front and side perspective view thereof; and

1.4 is a top plan view thereof.

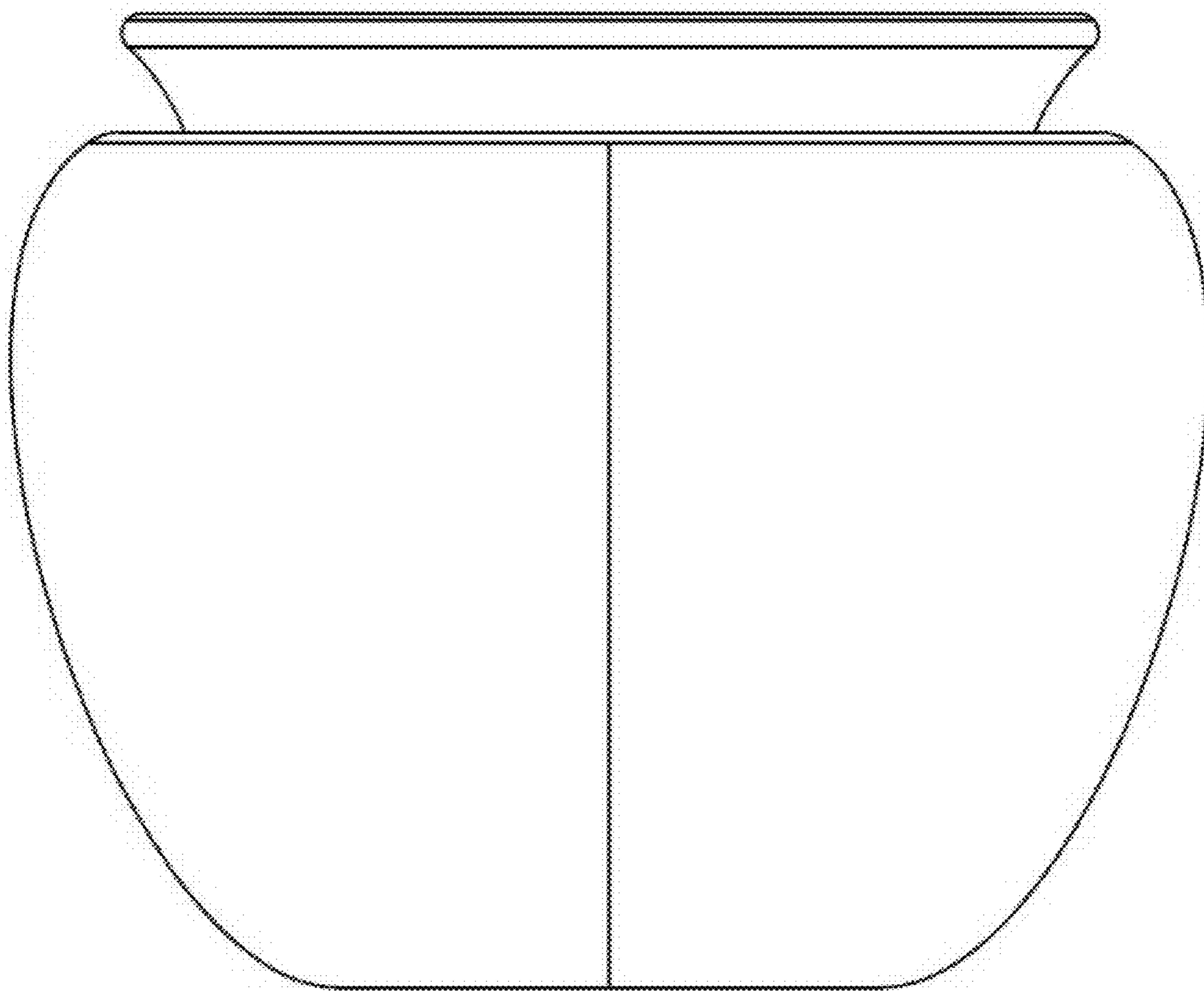
1 Claim, 4 Drawing Sheets



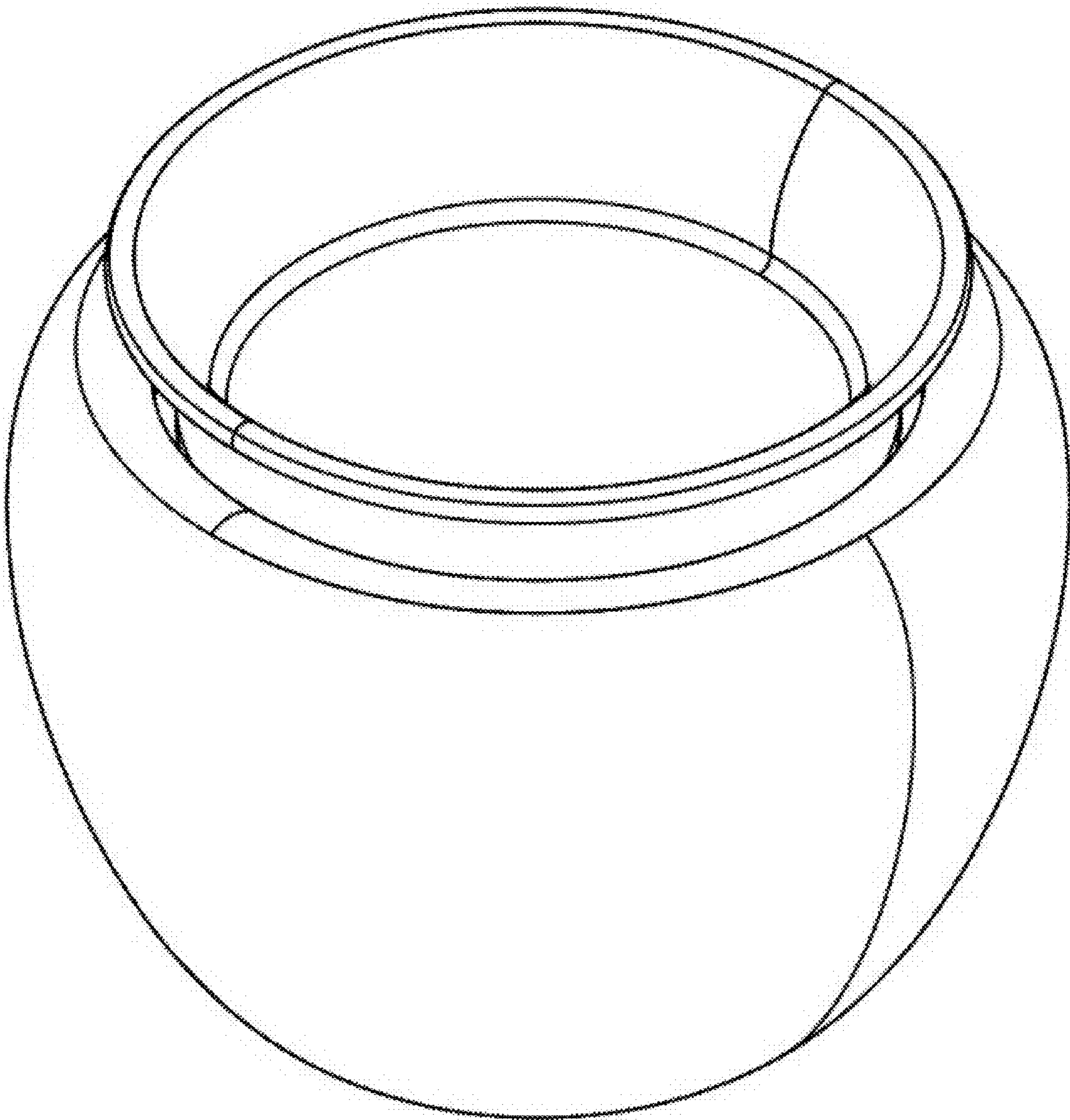
1.1



1.2



1.3



1.4

