



US00D803372S

(12) **United States Design Patent** (10) **Patent No.:** **US D803,372 S**
Gobber et al. (45) **Date of Patent:** **** Nov. 21, 2017**

(54) **DIFFUSING EVAPORATOR FOR ACTIVE SUBSTANCES**

(71) Applicant: **ZOBELE HOLDING S.P.A.**, Trento (IT)

(72) Inventors: **Cedric Gobber**, Barcelona (ES); **Danilo Rossi**, Trento (IT)

(73) Assignee: **ZOBELE HOLDING S.P.A.**, Trento (IT)

(**) Term: **15 Years**

(21) Appl. No.: **29/537,427**

(22) Filed: **Aug. 26, 2015**

(30) **Foreign Application Priority Data**

Feb. 27, 2015 (EM) 002642595-0001
Feb. 27, 2015 (EM) 002642595-0002

(51) **LOC (10) Cl.** **28-99**

(52) **U.S. Cl.**
USPC **D23/366**

(58) **Field of Classification Search**
USPC D23/355-369; D28/5, 6; 261/DIG. 17, 261/DIG. 42, DIG. 47, DIG. 55, DIG. 65, 261/DIG. 70, DIG. 88, DIG. 89; 392/386, 392/389, 394, 395, 403; 239/34, 44, 45, 239/53, 56; D9/522, 549, 556; D8/399; D7/553.4, 553.8, 357; D11/222
CPC ... A61L 9/02; A61L 9/03; A61L 9/034; A61L 9/04; A61L 9/12; A61L 9/032; A61L 9/122; A61L 9/127; A61L 9/22
See application file for complete search history.

(56) **References Cited**

U.S. PATENT DOCUMENTS

D478,003 S * 8/2003 Bodker D9/417
D491,798 S * 6/2004 Buthier D23/366

D535,004 S * 1/2007 Furner D23/366
D538,915 S * 3/2007 Anderson D23/366
D546,434 S * 7/2007 Barraclough D23/366
D561,884 S * 2/2008 Furner D23/366
D561,885 S * 2/2008 Furner D23/366
D561,886 S * 2/2008 Furner D23/366
D582,537 S * 12/2008 Kay D23/366
D583,038 S * 12/2008 Kay D23/366
D583,039 S * 12/2008 Kay D23/366
D583,453 S * 12/2008 Kay D23/366
D583,454 S * 12/2008 Kay D23/366
D583,455 S * 12/2008 Kay D23/366
D679,793 S * 4/2013 Feiz D23/366
D680,208 S * 4/2013 Gordon D23/366
D692,116 S * 10/2013 Gordon D23/366

* cited by examiner

Primary Examiner — Sandra Snapp

(74) *Attorney, Agent, or Firm* — Young & Thompson

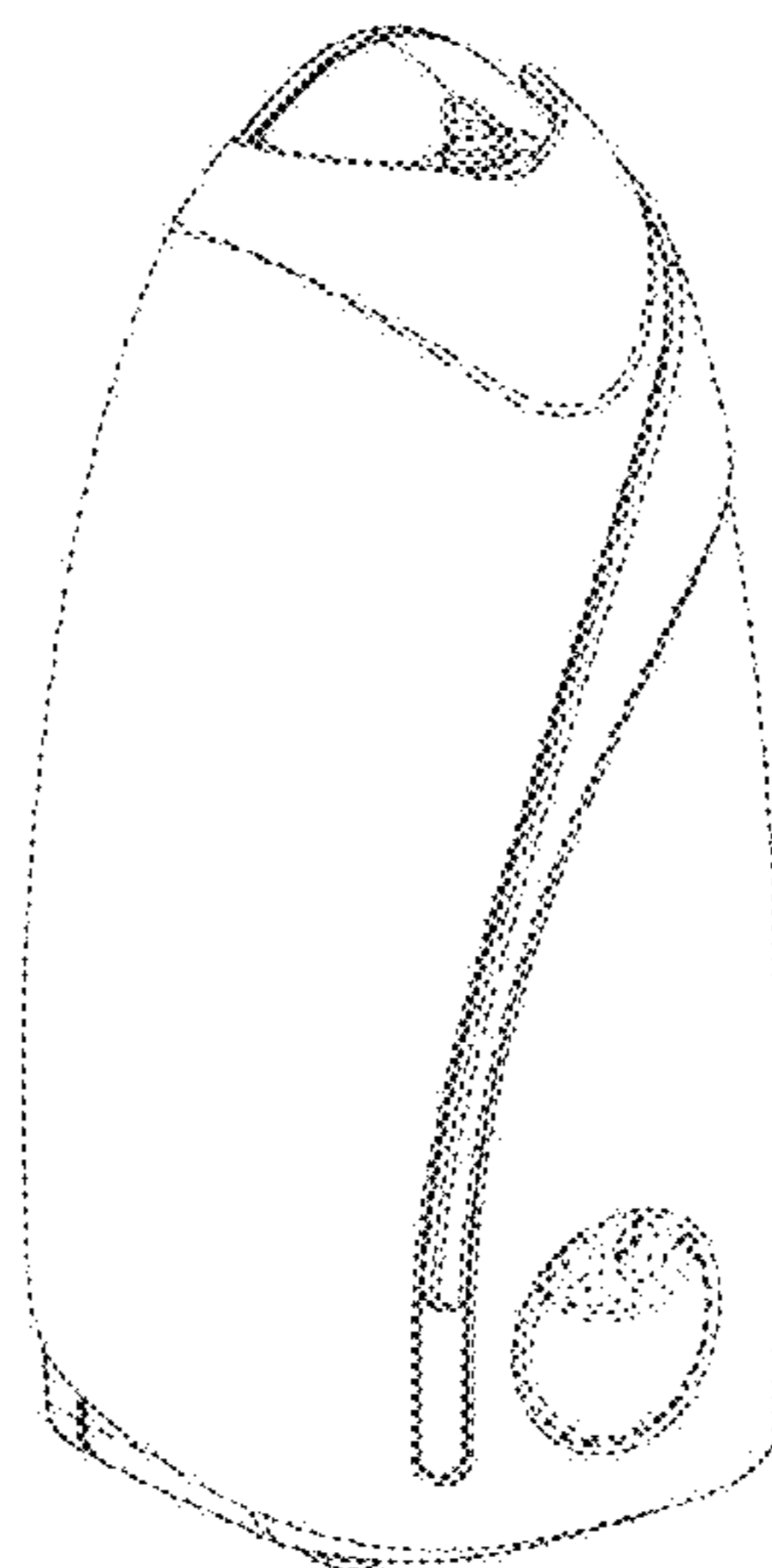
(57) **CLAIM**

The ornamental design for a diffusing evaporator for active substances, as shown and described.

DESCRIPTION

FIG. 1 is a front, right side and top perspective view of a diffusing evaporator for active substances showing the new design;
FIG. 2 is a rear, left side, and top perspective view thereof;
FIG. 3 is a top plan view thereof;
FIG. 4 is a bottom plan view thereof;
FIG. 5 is a left side elevation view thereof;
FIG. 6 is a front elevation view thereof; and,
FIG. 7 is a rear elevation view thereof.
The portions of the design shown in broken lines show unclaimed subject matter.

1 Claim, 7 Drawing Sheets



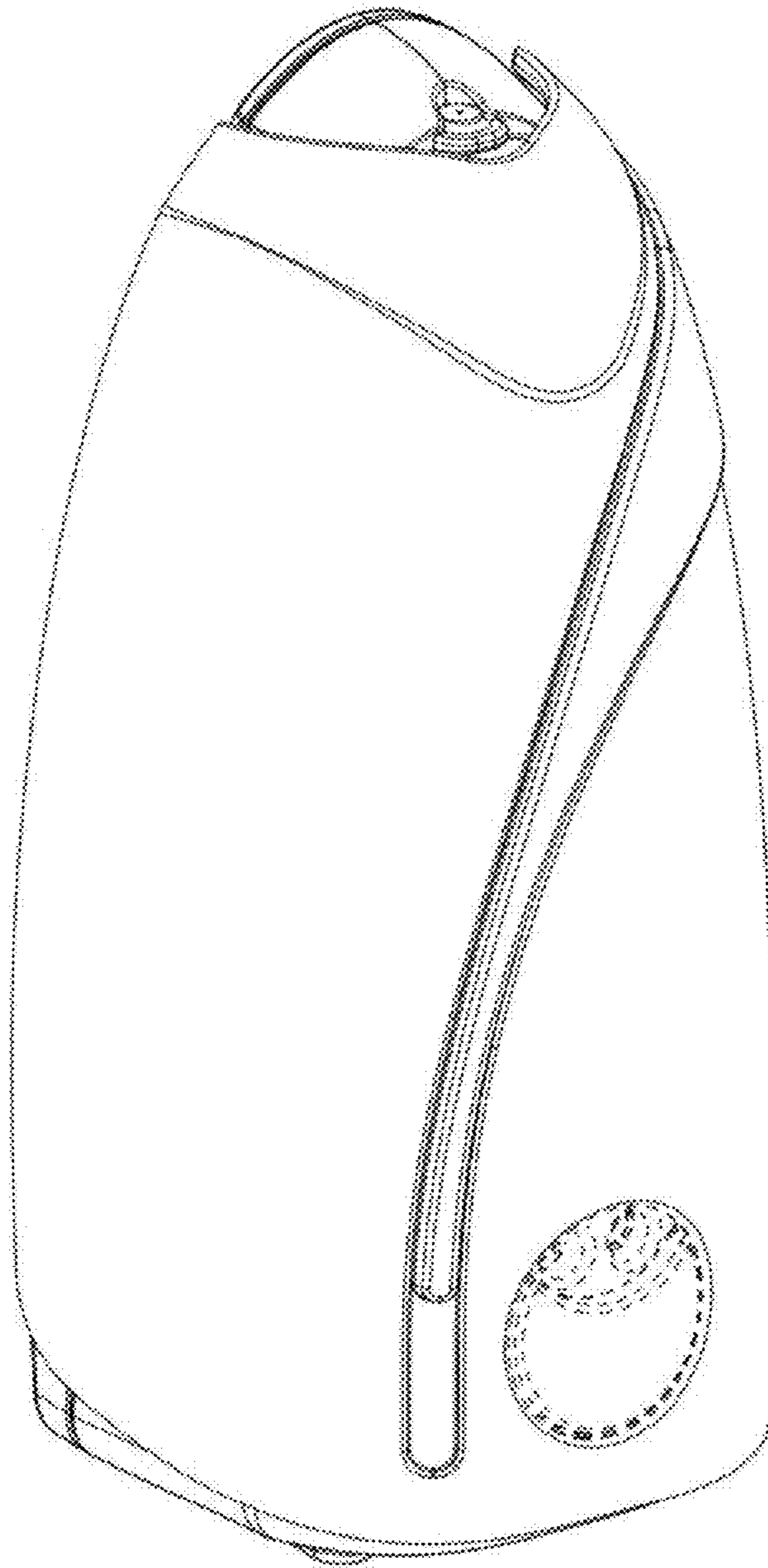


FIG. 1

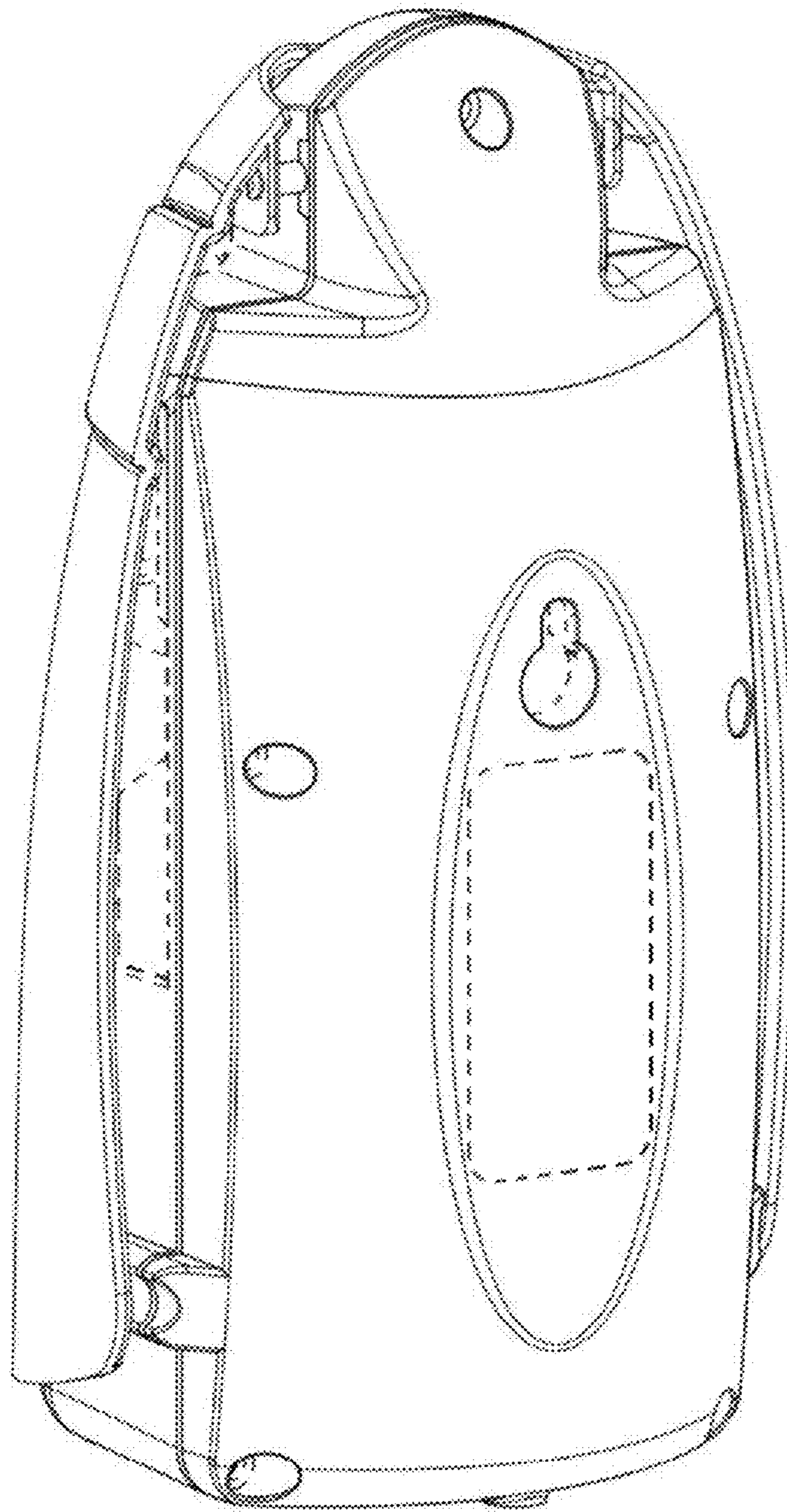


FIG.2

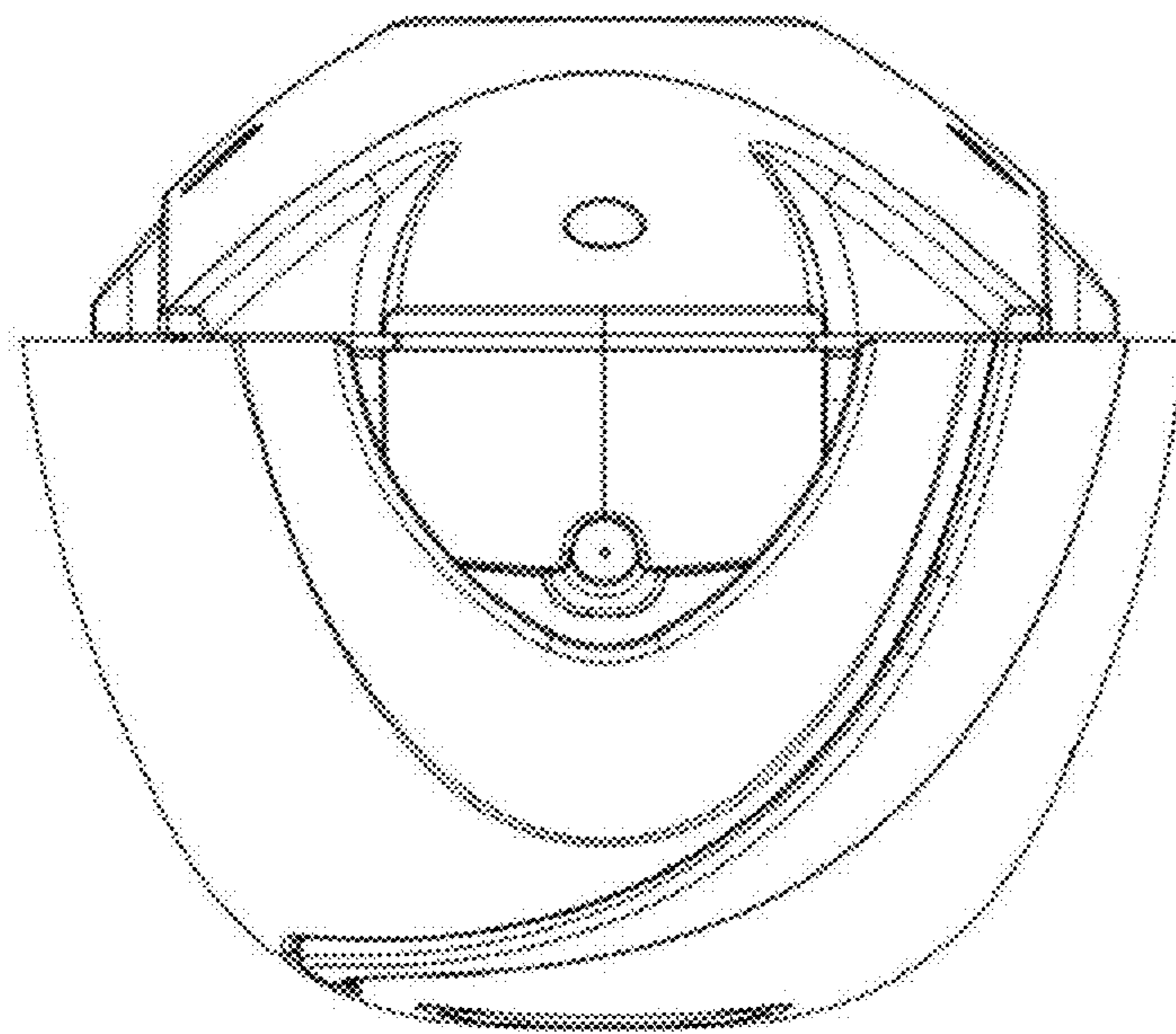


FIG.3

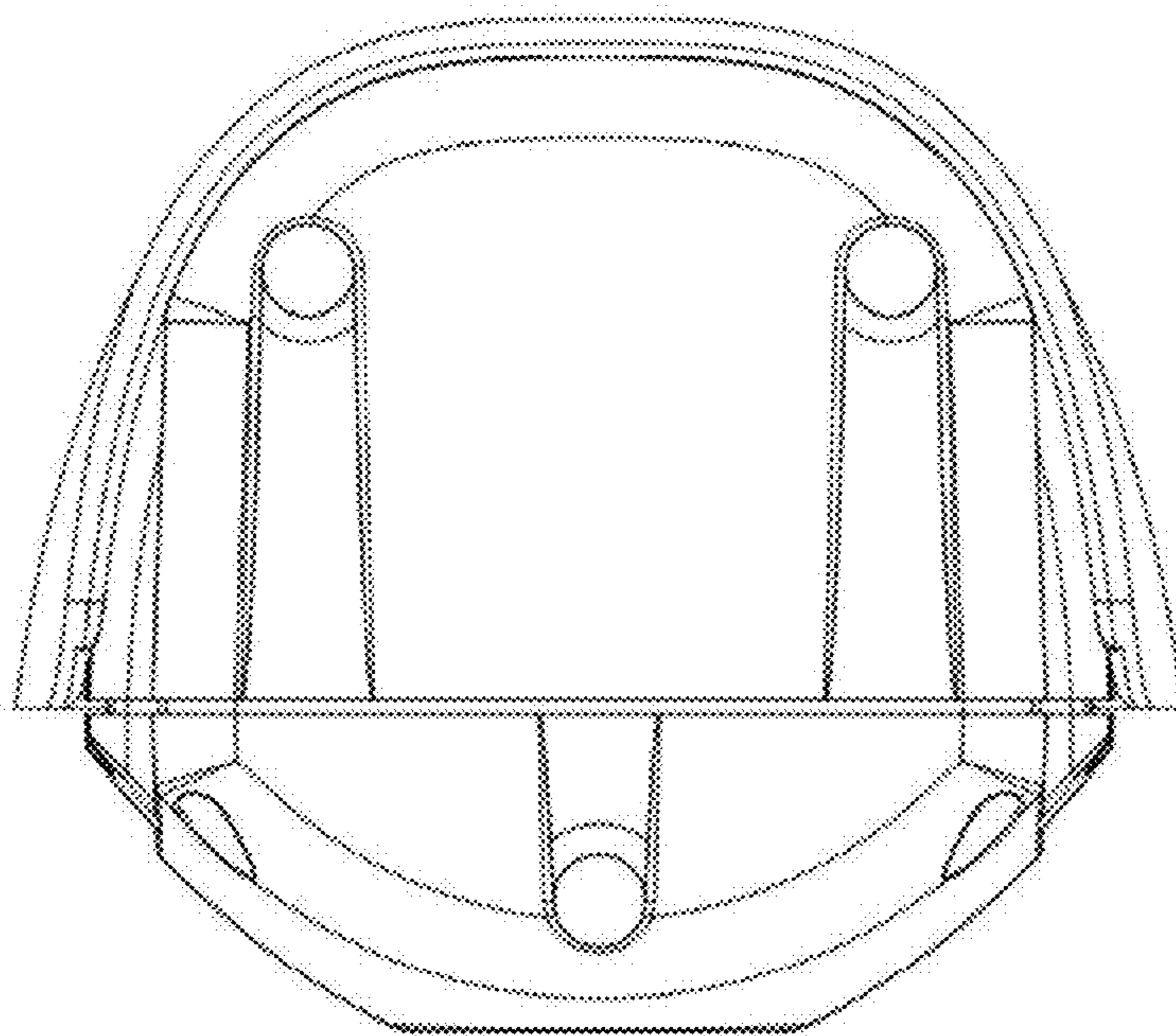


FIG.4

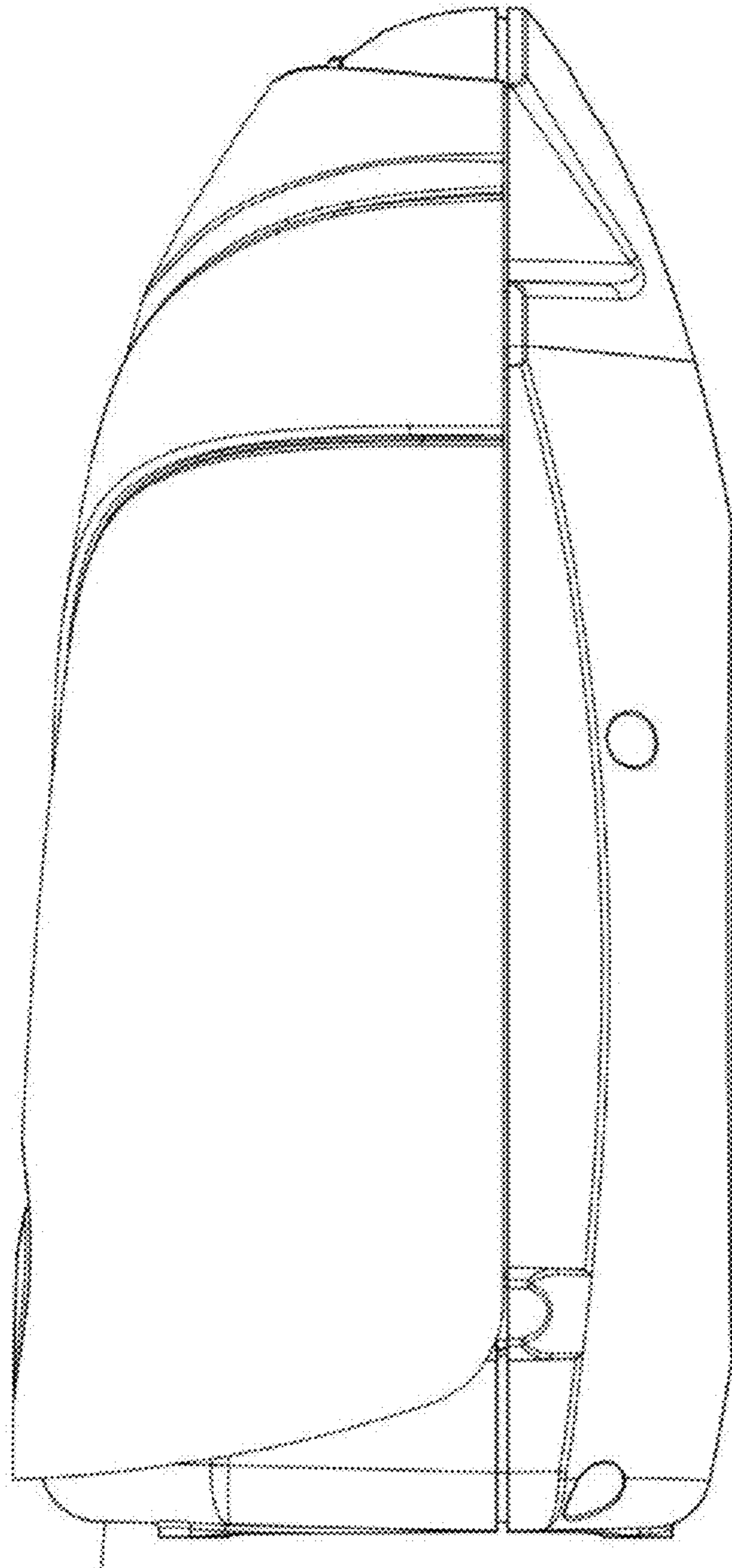


FIG.5

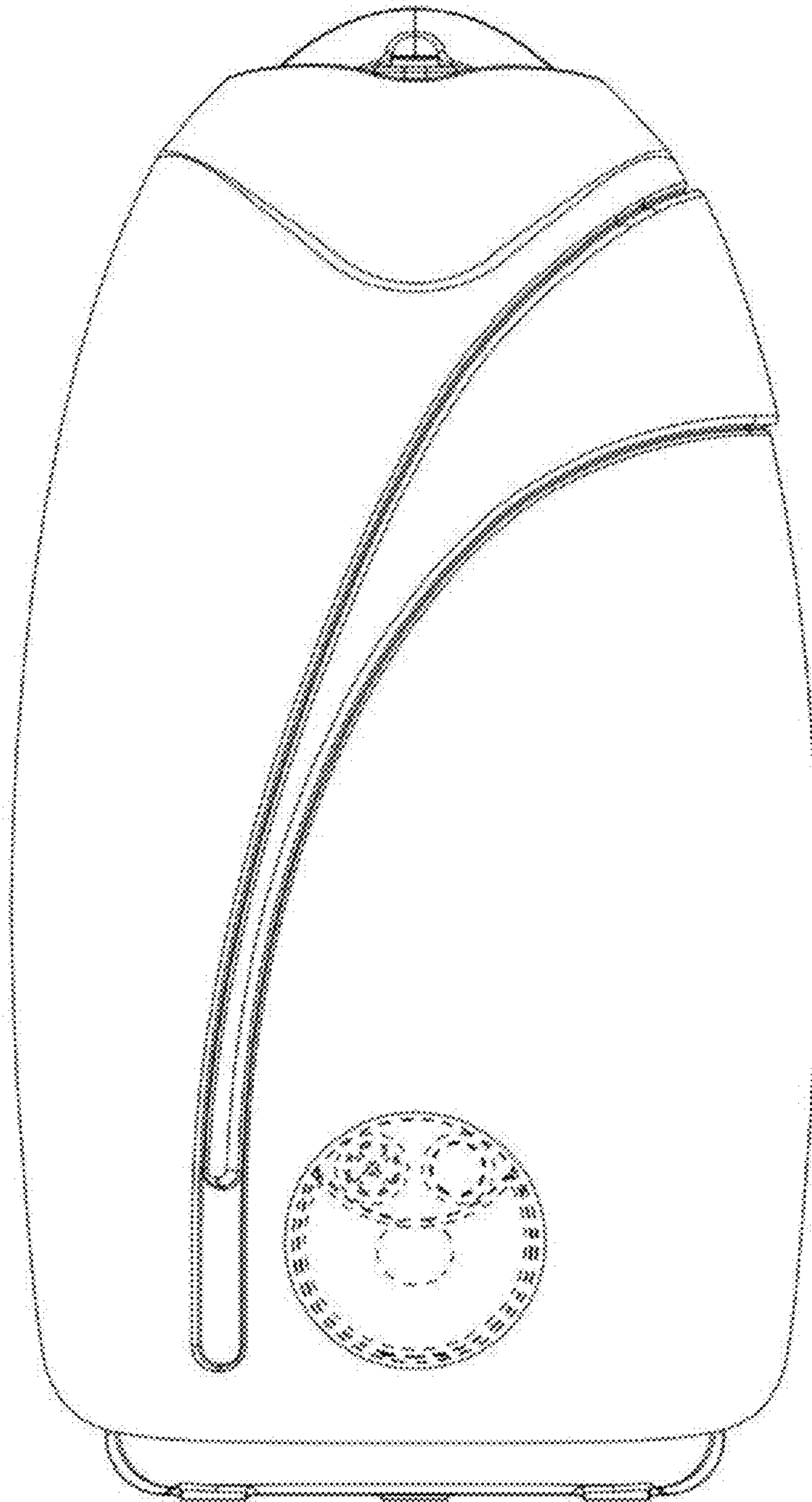


FIG.6

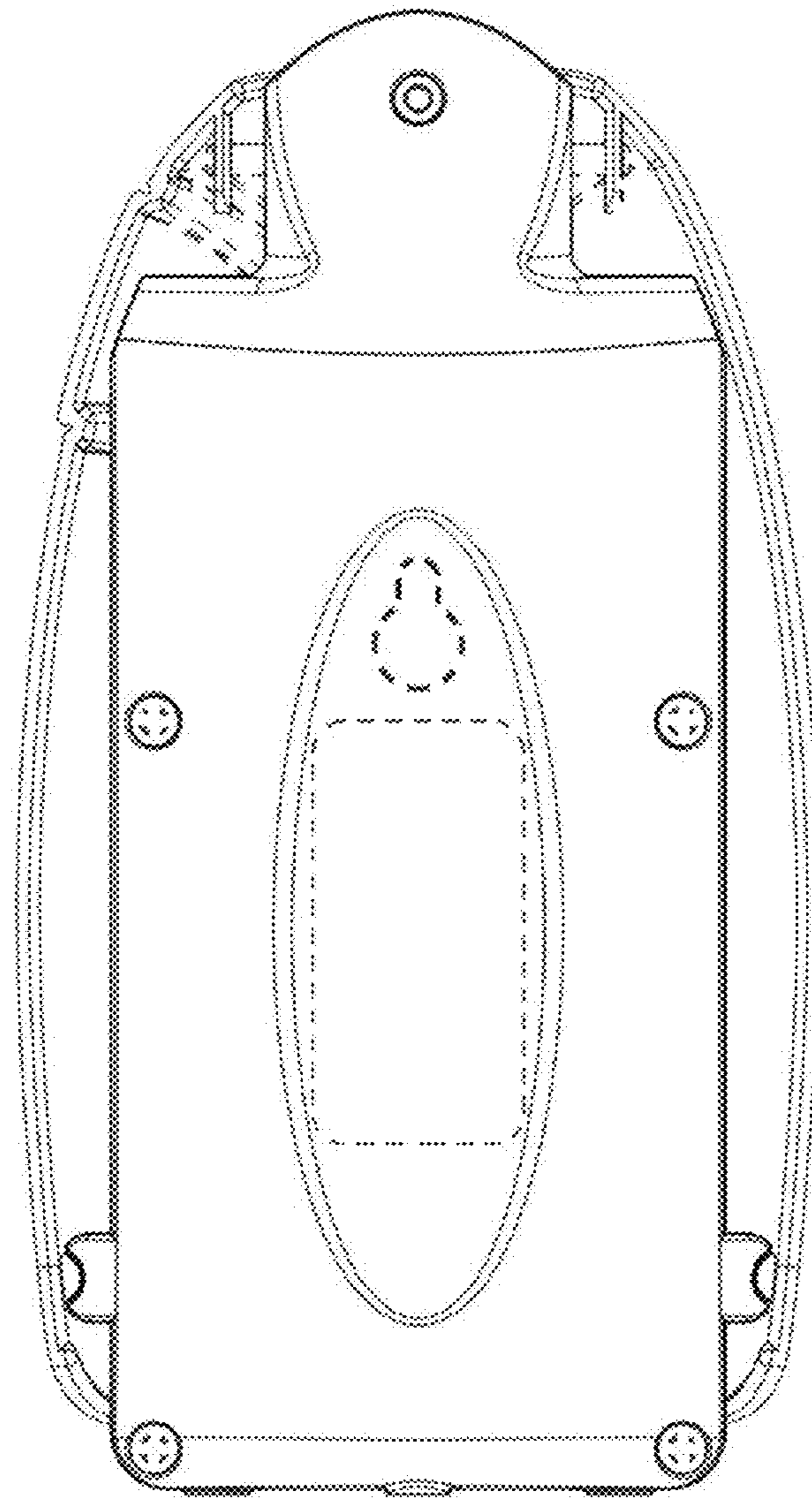


FIG.7