



US00D803369S

(12) **United States Design Patent**
Kim et al.

(10) **Patent No.:** **US D803,369 S**

(45) **Date of Patent:** **** Nov. 21, 2017**

(54) **AIR PURIFIER WITH HUMIDIFIER**

(71) Applicant: **LG ELECTRONICS INC.**, Seoul (KR)

(72) Inventors: **Joosang Kim**, Seoul (KR); **Sungkyong Han**, Seoul (KR); **Yoojeung Han**, Seoul (KR); **Sehwan Bae**, Seoul (KR)

(73) Assignee: **LG ELECTRONICS INC.**, Seoul (KR)

(**) Term: **15 Years**

(21) Appl. No.: **29/576,335**

(22) Filed: **Sep. 1, 2016**

(30) **Foreign Application Priority Data**

Mar. 24, 2016 (KR) 30-2016-0013867

(51) **LOC (10) Cl.** **23-04**

(52) **U.S. Cl.**
USPC **D23/364; D23/356**

(58) **Field of Classification Search**
USPC D23/332-336, 342, 351, 352, 355-366,
D23/369, 370; D14/168, 170-172, 188,
D14/216, 496
CPC A62B 21/00; B01D 46/0002; B01D 46/10;
F02M 35/04; F24F 13/20
See application file for complete search history.

(56) **References Cited**

U.S. PATENT DOCUMENTS

D221,763 S * 9/1971 Gilbertson D23/364
D227,764 S * 7/1973 Katsuda D22/120
D281,272 S * 11/1985 Lynch, Jr. D23/364
D450,376 S * 11/2001 Gieseke D23/364

D493,874 S * 8/2004 Woods D23/364
D505,999 S * 6/2005 Song D23/364
D632,770 S * 2/2011 Rotter D23/364
D640,358 S * 6/2011 Irvin D23/366
D648,429 S * 11/2011 Choi D23/364
D681,791 S * 5/2013 Jorgensen D23/366
D716,427 S * 10/2014 Lim D23/364
D778,876 S * 2/2017 Zhang D14/216

OTHER PUBLICATIONS

LG AM501YWM1 Air Purifier found online [May 16, 2017]
<http://www.lg.com/us/air-care-solutions/lg-AM501YWM1>.*

* cited by examiner

Primary Examiner — Robert M Spear

Assistant Examiner — John Voytek

(74) *Attorney, Agent, or Firm* — Dentons US LLP

(57) **CLAIM**

We claim the ornamental design for an air purifier with humidifier, as shown and described.

DESCRIPTION

FIG. 1 is a perspective view of an air purifier with humidifier showing the new design;
FIG. 2 is a front elevation view thereof;
FIG. 3 is a rear elevation view thereof;
FIG. 4 is a left-side elevation view thereof;
FIG. 5 is a right-side elevation view thereof;
FIG. 6 is a top plan view thereof;
FIG. 7 is a bottom plan view thereof; and,
FIG. 8 is a top plan view thereof, in a use condition.
The broken lines represent unclaimed portions of the air purifier with humidifier and form no part of the claimed design.

1 Claim, 8 Drawing Sheets

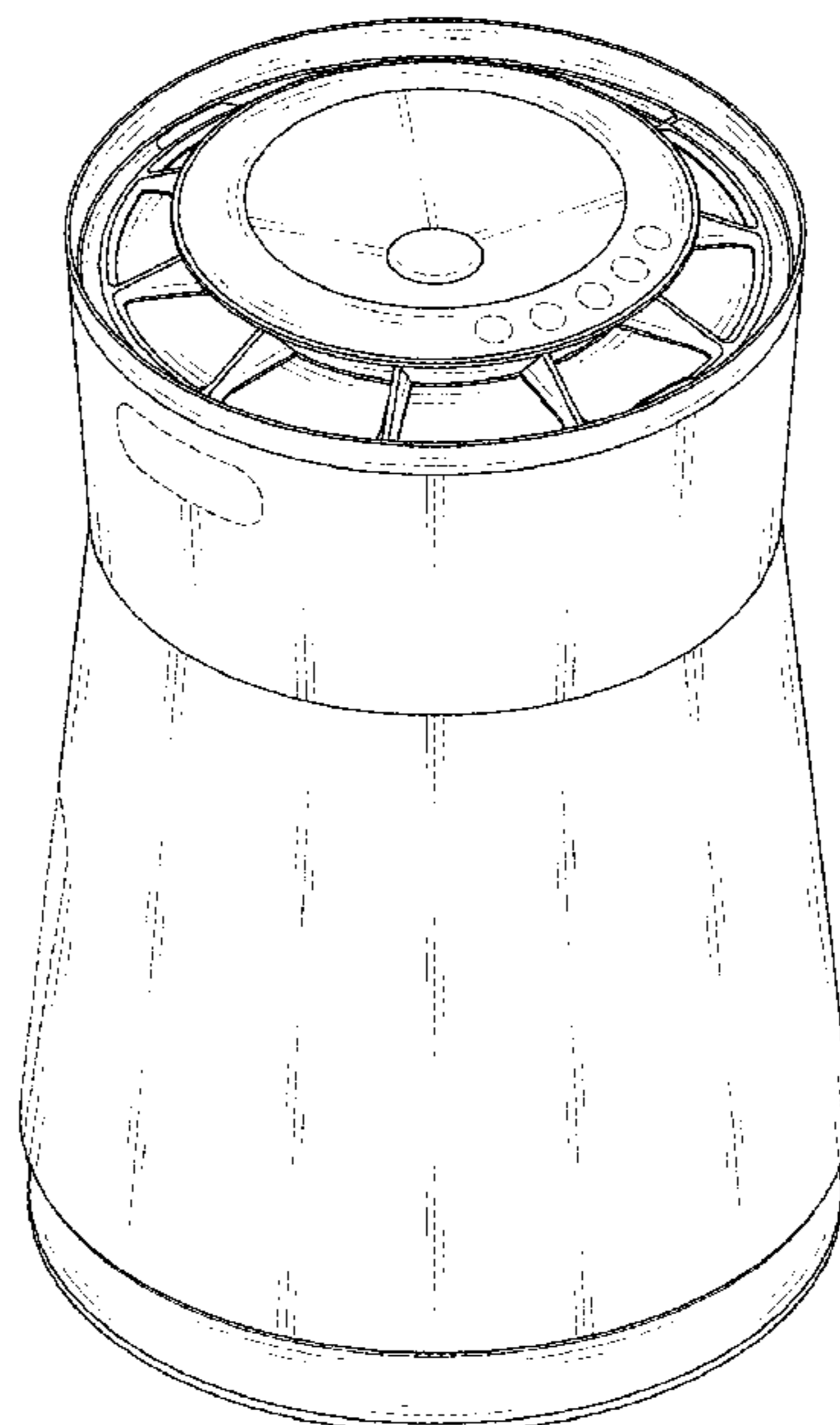


FIG. 1

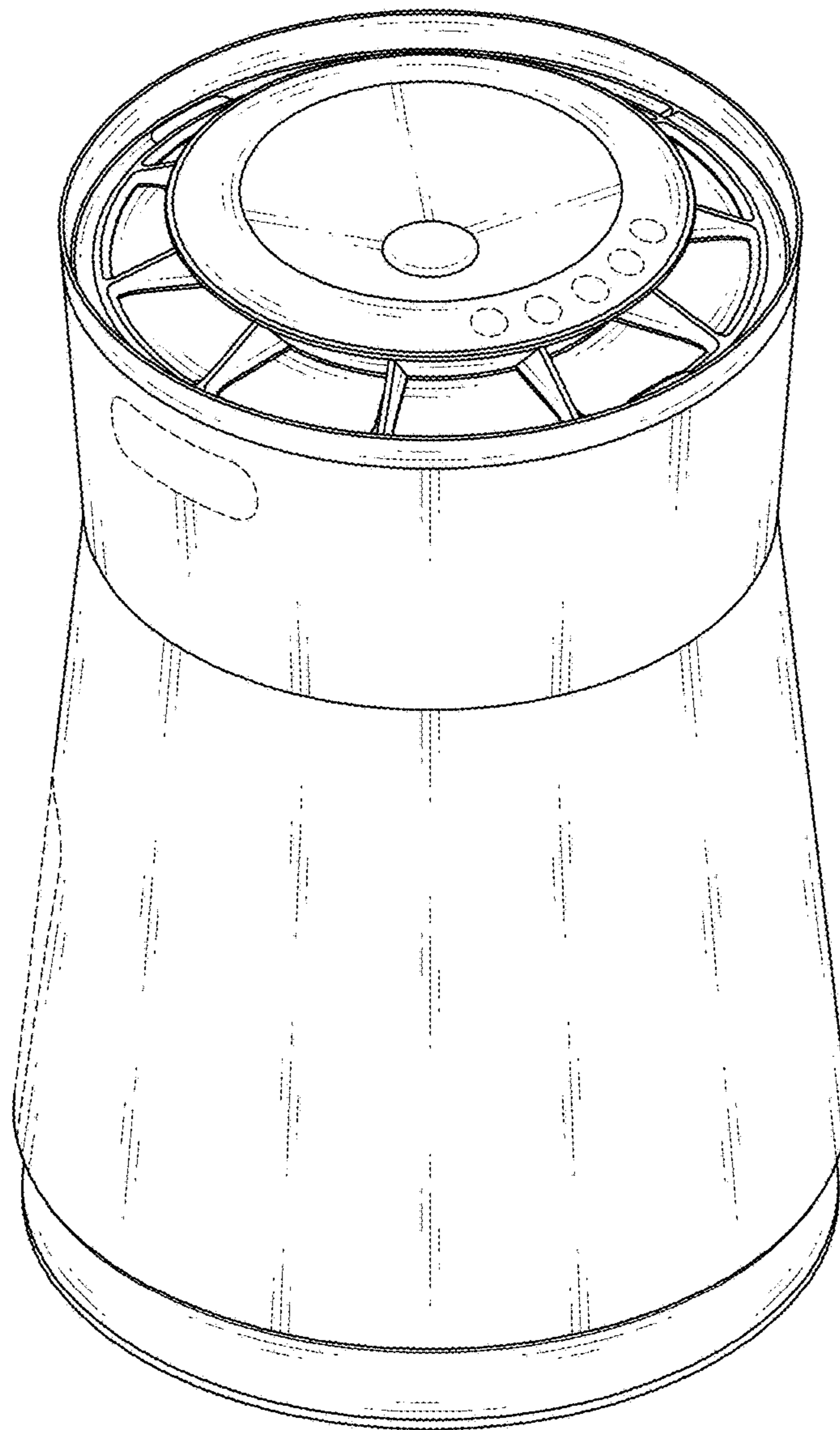


FIG.2

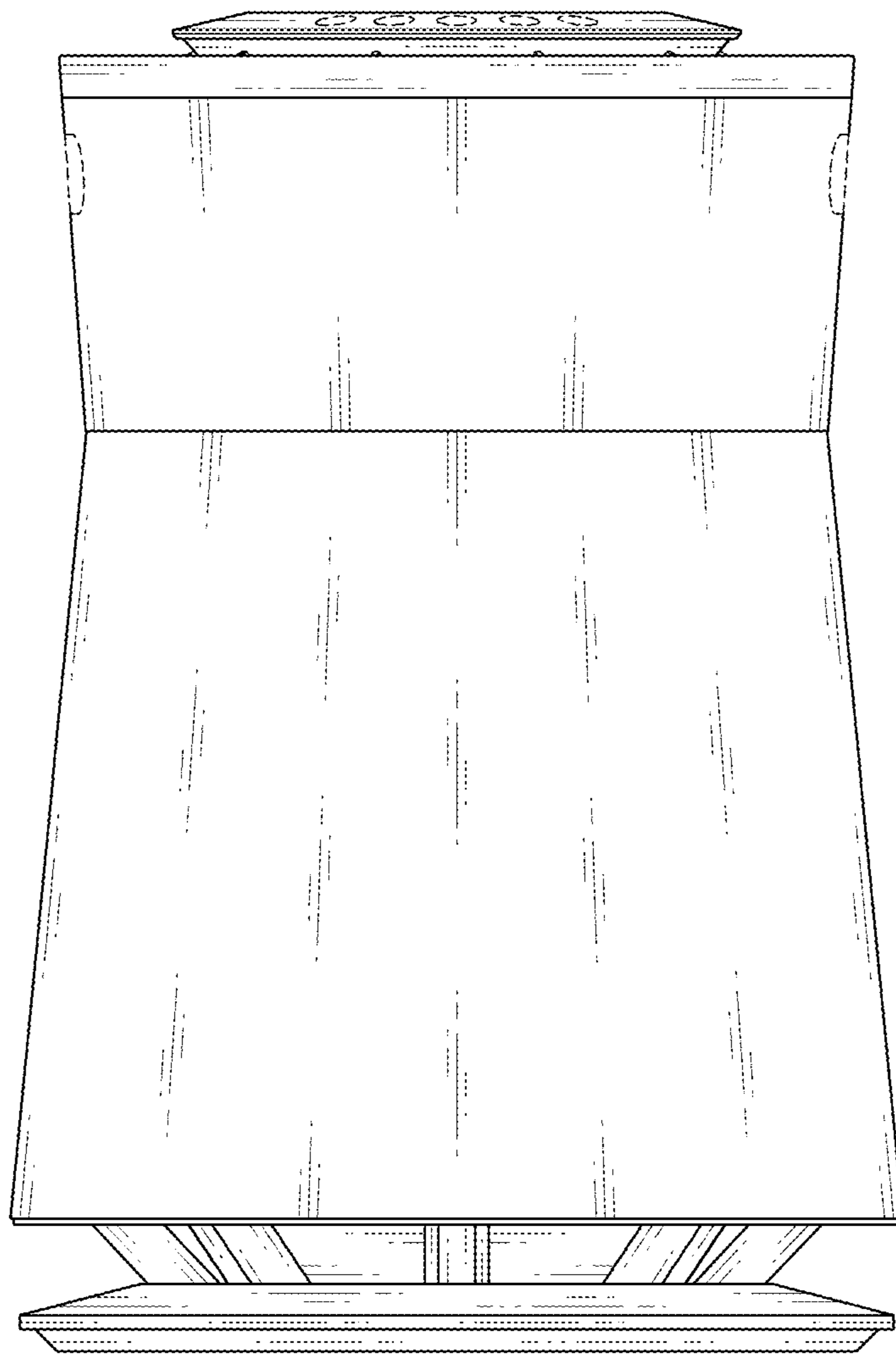


FIG. 3

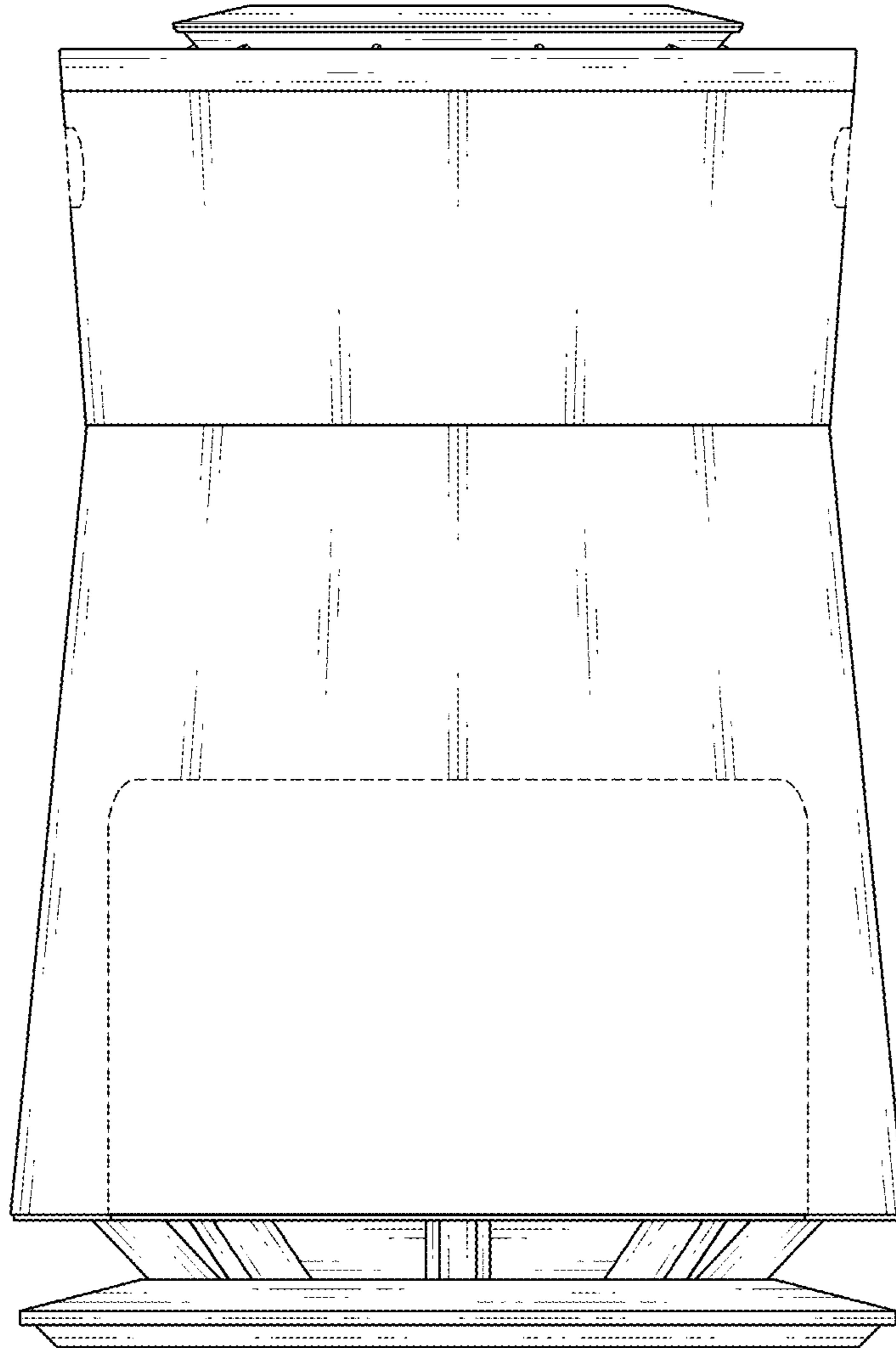


FIG. 4

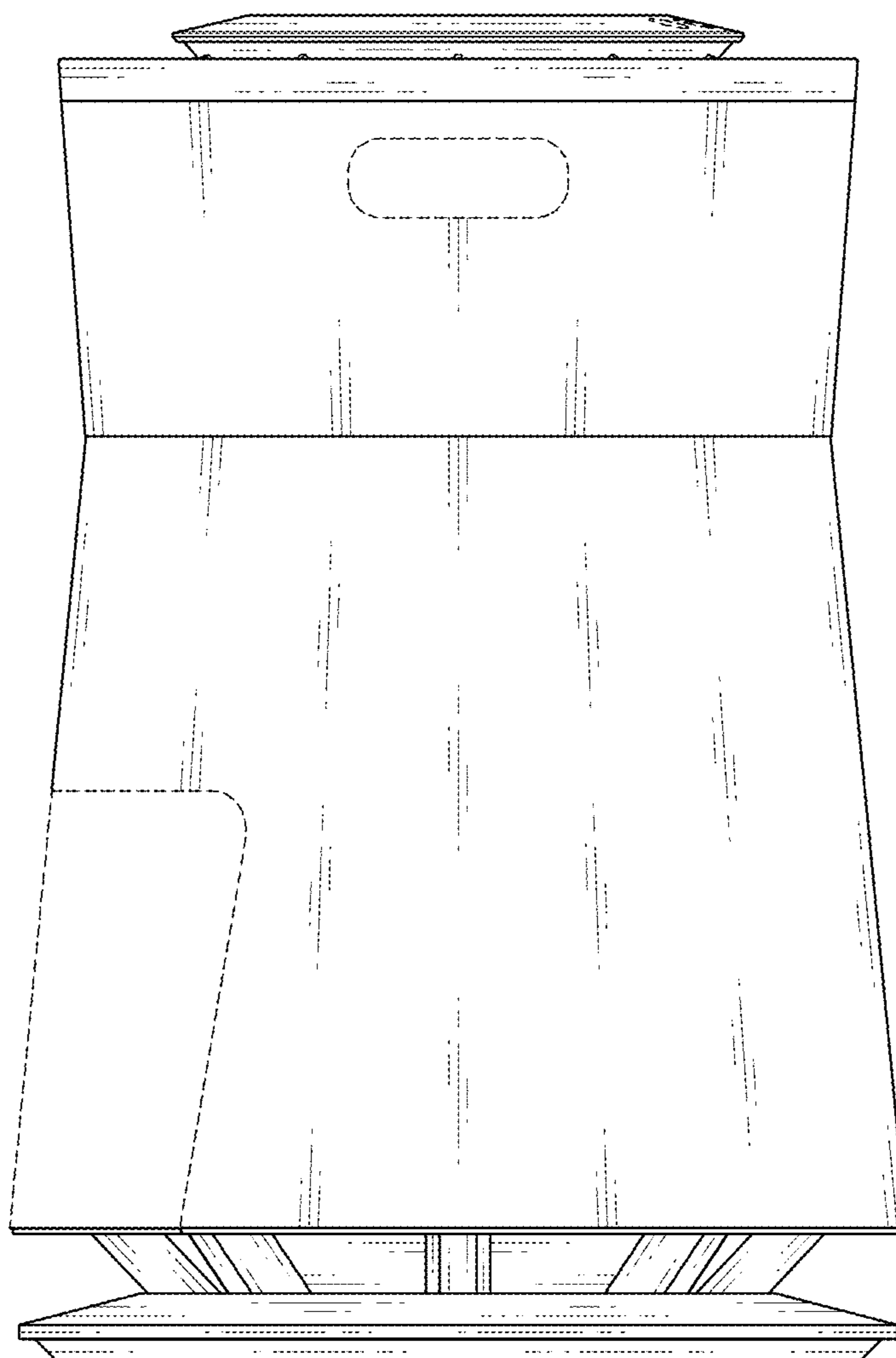


FIG. 5

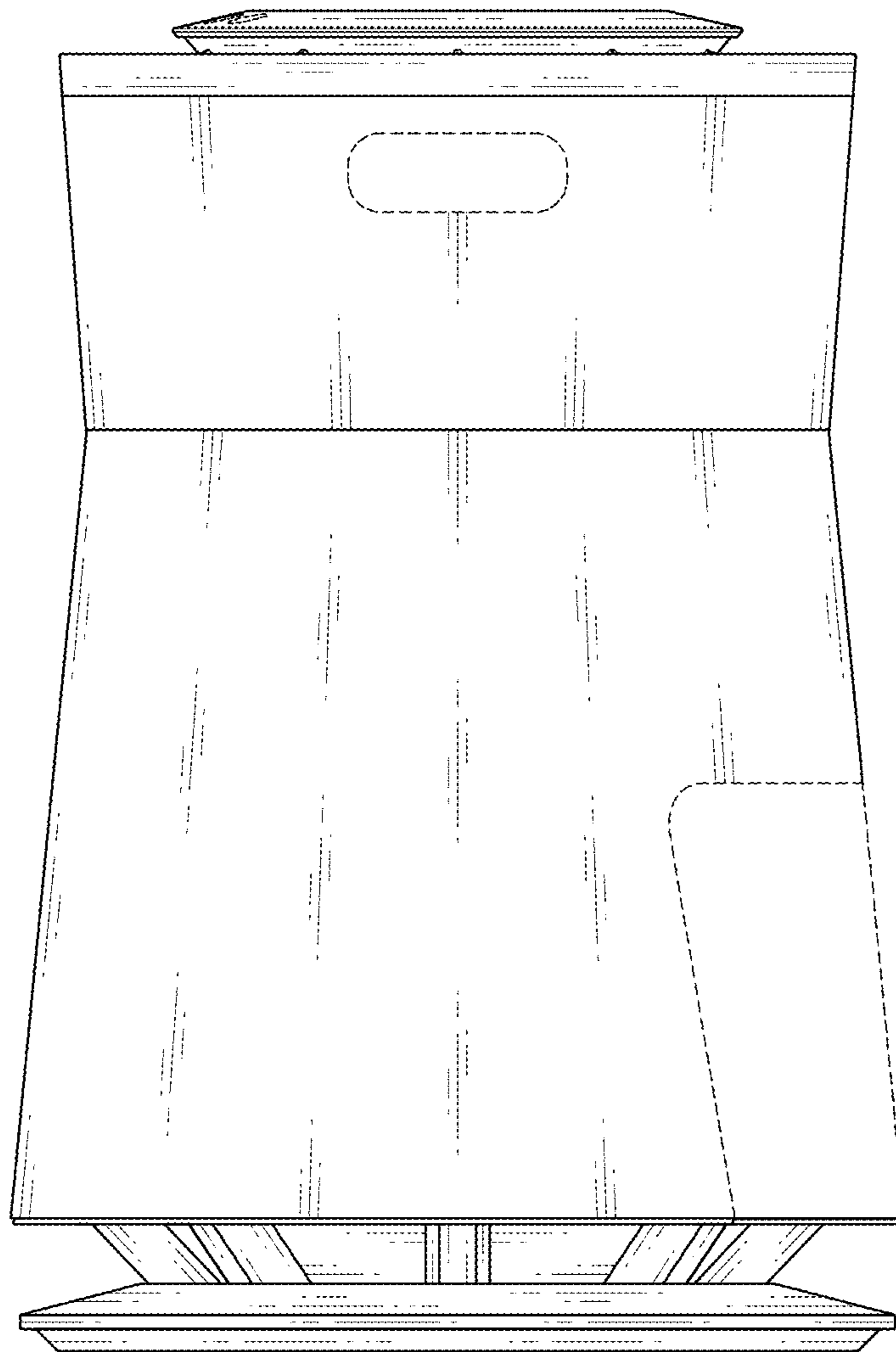


FIG. 6

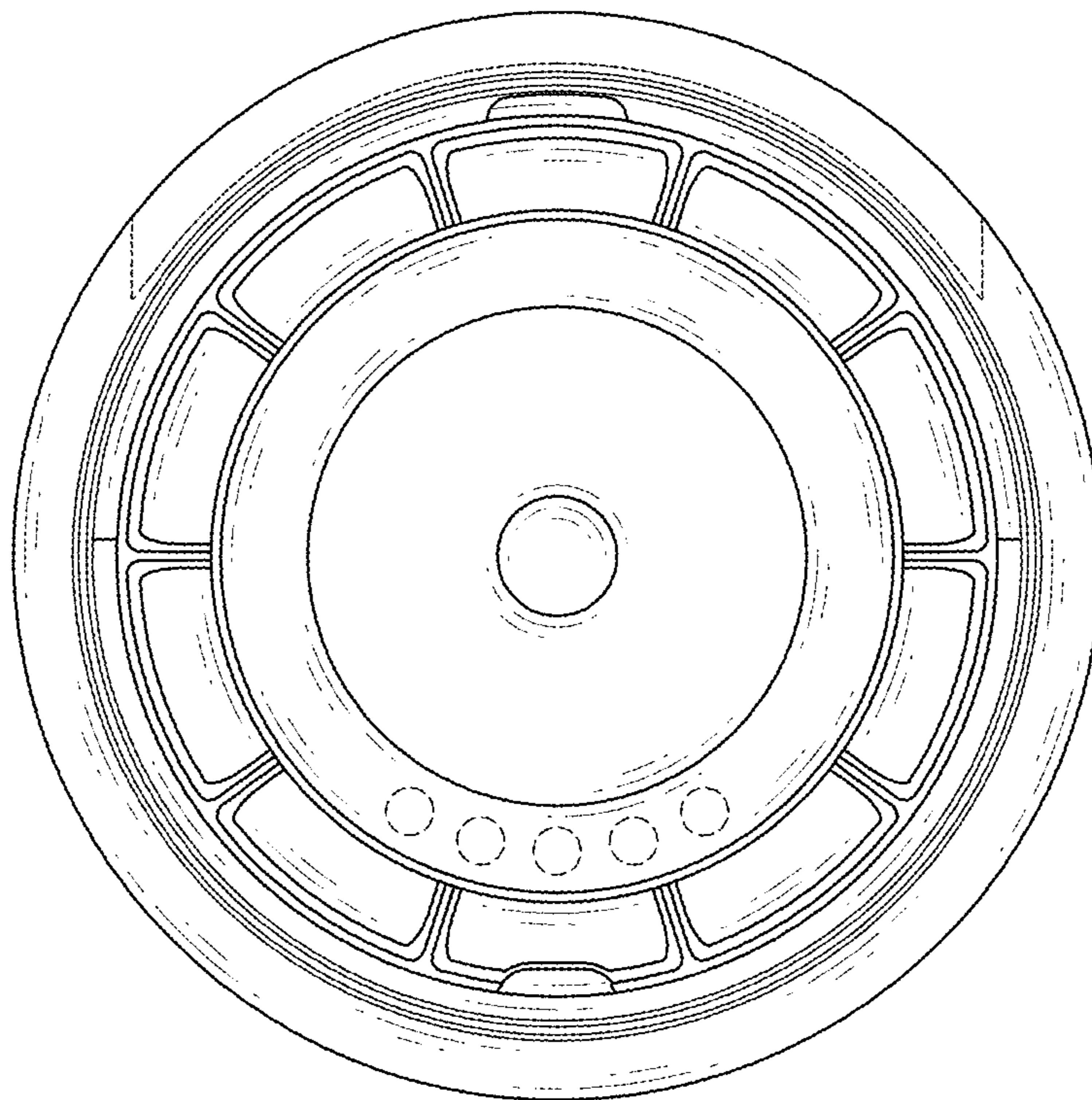


FIG. 7

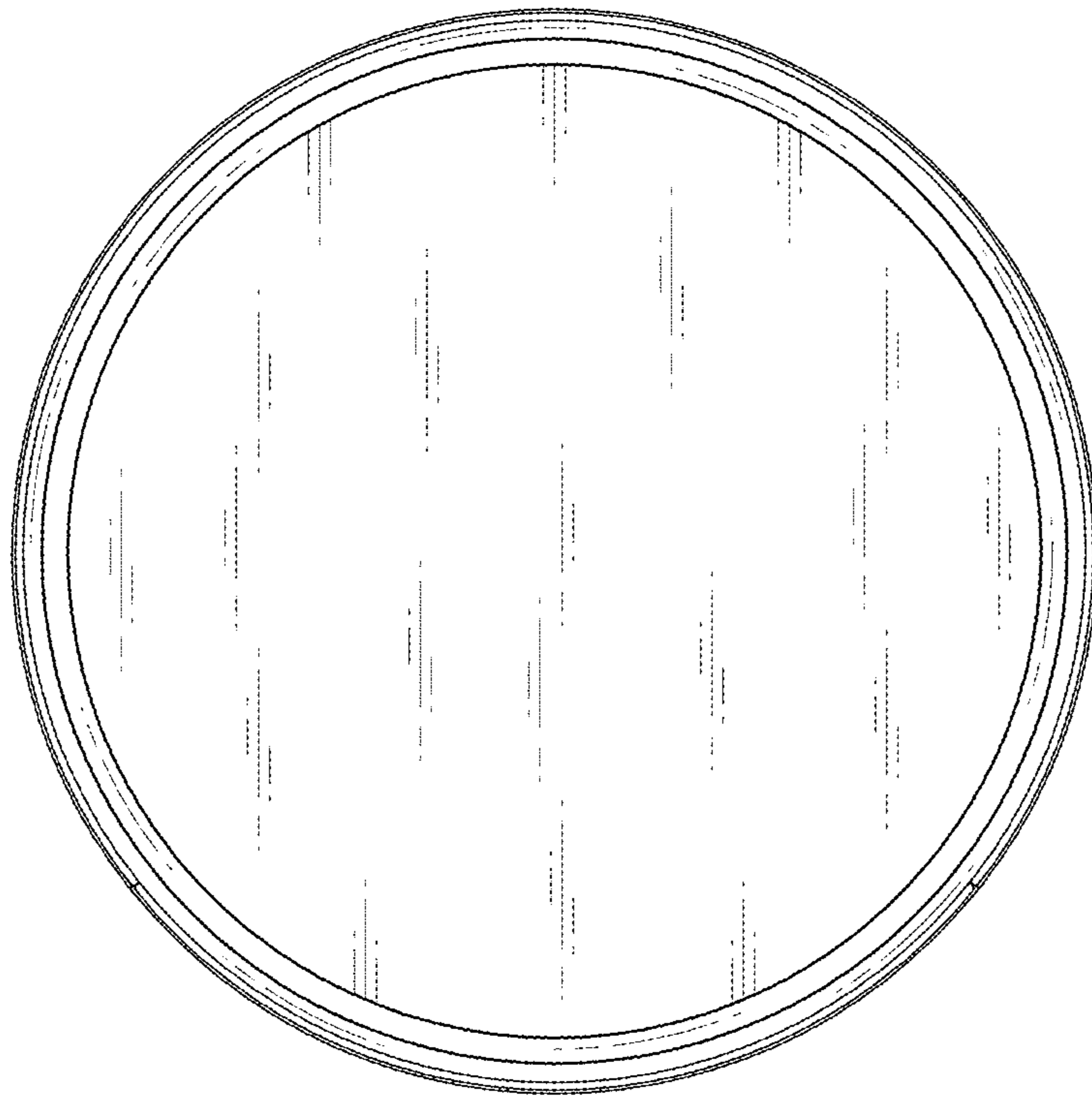


FIG. 8

