



US00D803368S

(12) **United States Design Patent**  
**Priester**

(10) **Patent No.:** **US D803,368 S**

(45) **Date of Patent:** **\*\* Nov. 21, 2017**

(54) **AIR PURIFIER**

(71) Applicant: **Krug & Priester GmbH & Co. KG**,  
Balingen (DE)

(72) Inventor: **Daniel Priester**, Balingen (DE)

(73) Assignee: **KRUG & PRIESTER GMBH & CO.**  
**KG**, Balingen (DE)

(\*\*) Term: **15 Years**

(21) Appl. No.: **29/561,042**

(22) Filed: **Apr. 12, 2016**

(30) **Foreign Application Priority Data**

Jan. 4, 2016 (EM) ..... 002932426-0001

(51) **LOC (10) Cl.** ..... **23-04**

(52) **U.S. Cl.**  
USPC ..... **D23/364**

(58) **Field of Classification Search**  
USPC ..... D23/332-336, 342, 351, 352, 355-366,  
D23/369, 370; D14/168, 170-172, 188,  
D14/496

CPC .... A62B 21/00; B01D 46/0002; B01D 46/10;  
F02M 35/04; F24F 13/20

See application file for complete search history.

(56) **References Cited**

**U.S. PATENT DOCUMENTS**

D572,810 S \* 7/2008 Chiu ..... D23/333  
D606,184 S \* 12/2009 Chiu ..... D23/359

D621,019 S \* 8/2010 Kim ..... D23/356  
D624,169 S \* 9/2010 Lee ..... D23/364  
D705,919 S \* 5/2014 Park ..... D23/364  
D746,426 S \* 12/2015 Zhao ..... D23/359

**OTHER PUBLICATIONS**

Luftreiniger Ideal AP60 Pro Air Purifier found online [May 12, 2017] <http://www.ecarf-siegel.org/en/products/details/luftreiniger/luftreiniger-ideal-ap60-pro.html>.\*

\* cited by examiner

*Primary Examiner* — Robert M. Spear

(74) *Attorney, Agent, or Firm* — Hackler Daghighian  
Martino & Novak

(57) **CLAIM**

The ornamental design for an air purifier, as shown and described.

**DESCRIPTION**

FIG. 1 is a perspective view of an air purifier embodying my new design;

FIG. 2 is a front elevation view thereof;

FIG. 3 is a rear elevation view thereof;

FIG. 4 is a left side elevation view thereof;

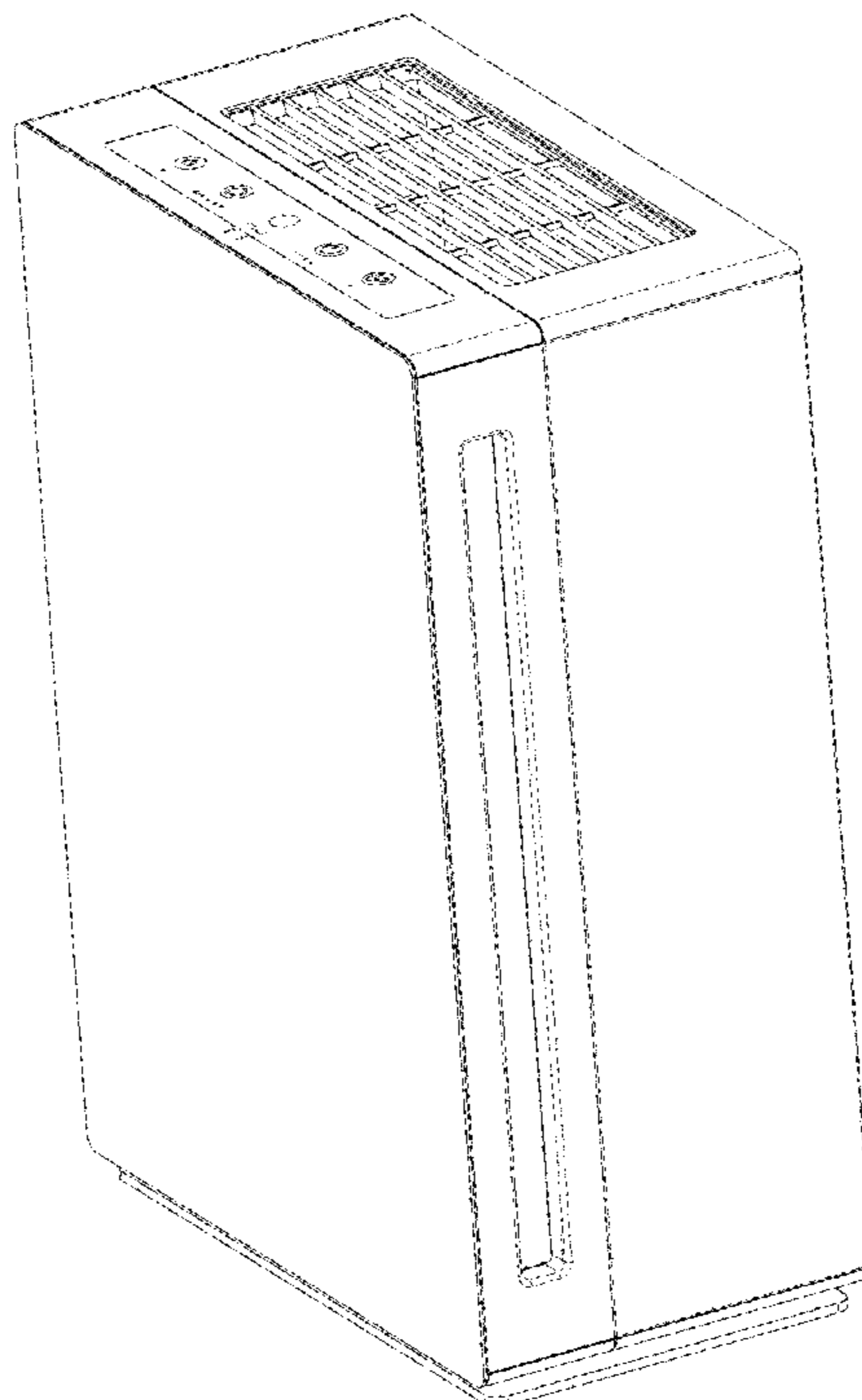
FIG. 5 is a right side elevation view thereof;

FIG. 6 is a top plan view thereof; and,

FIG. 7 is a bottom plan view thereof.

The broken lines depict environmental subject matter, are for illustration only and form no part of the claimed design.

**1 Claim, 7 Drawing Sheets**



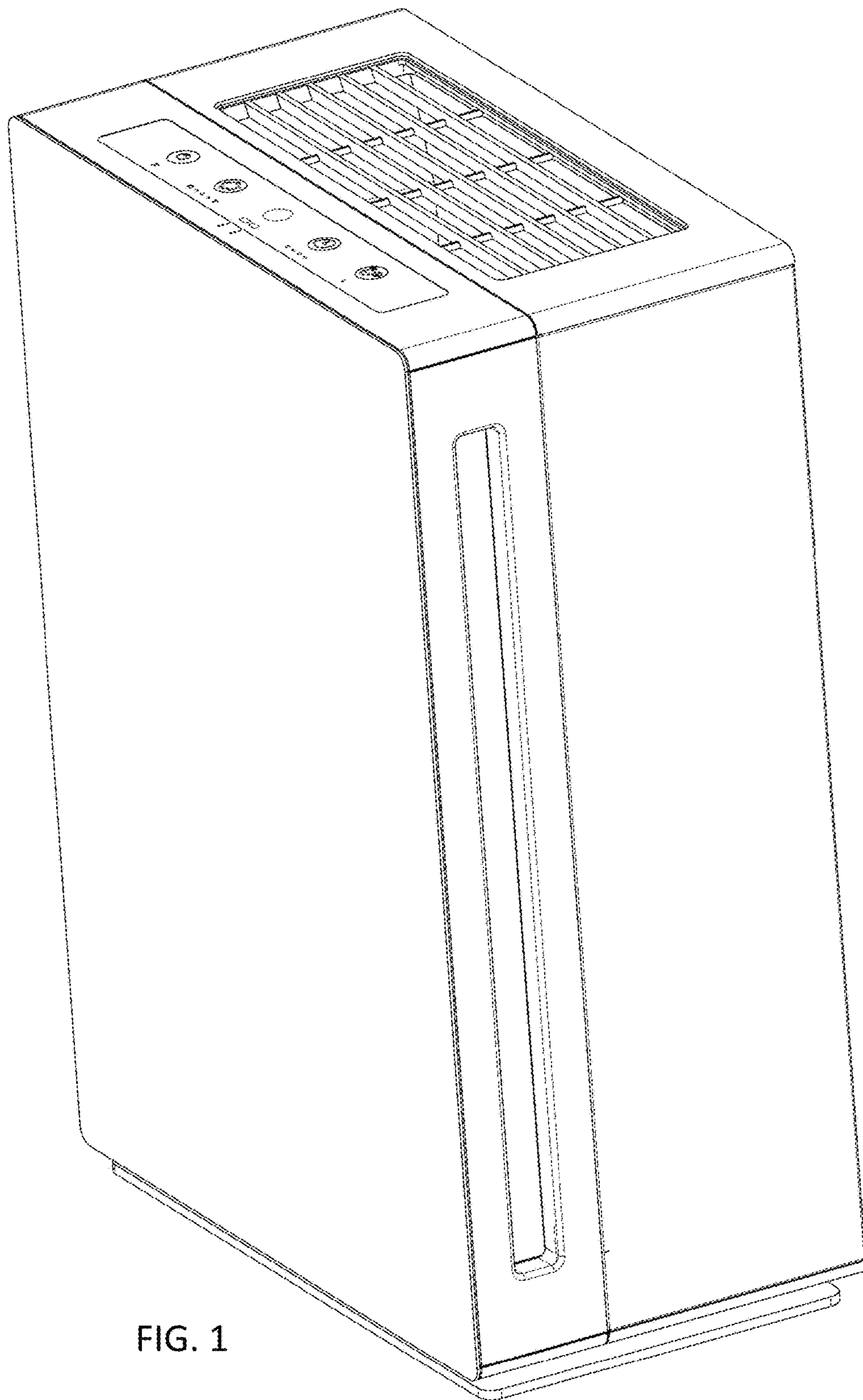


FIG. 1



FIG. 2

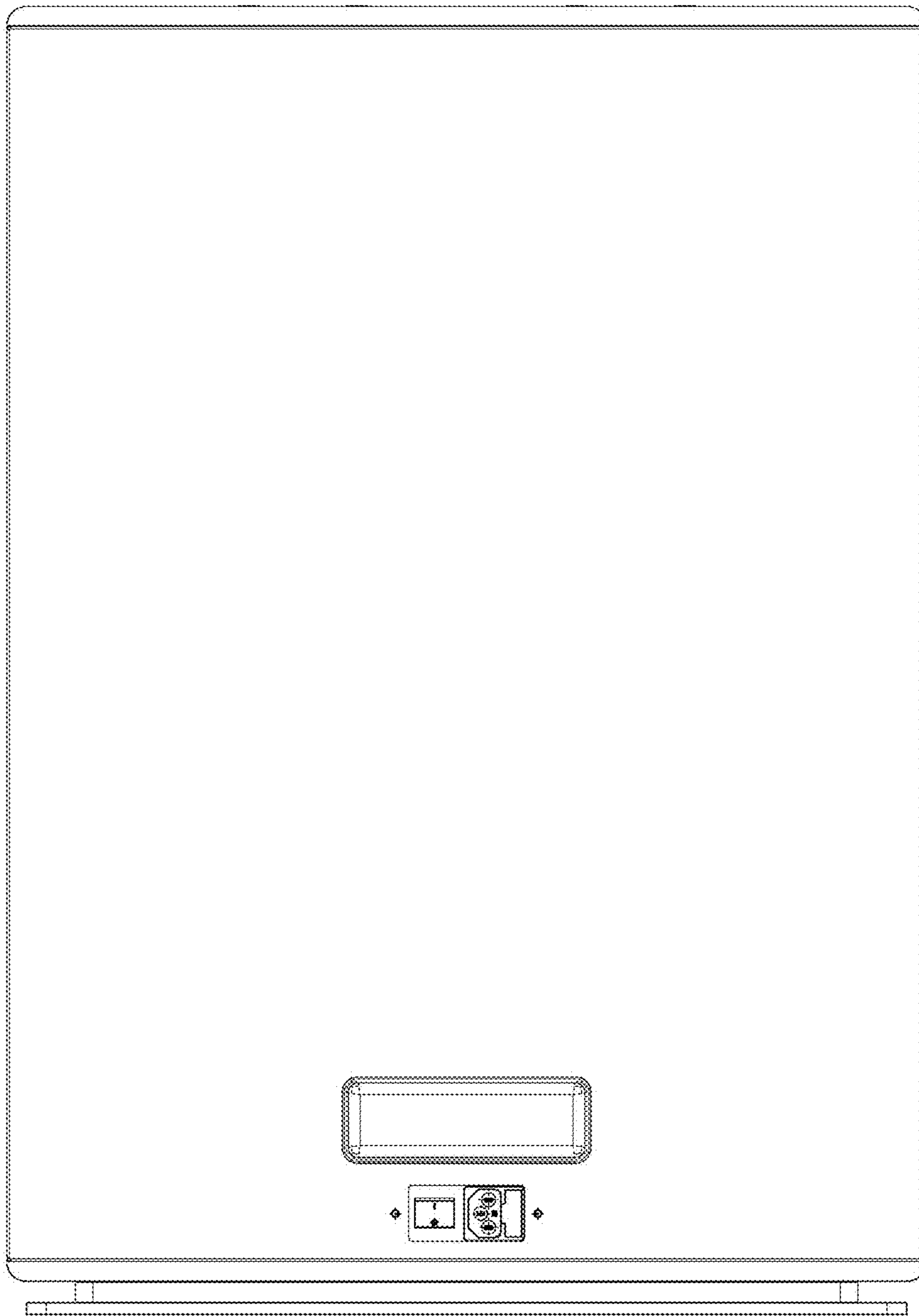


FIG. 3

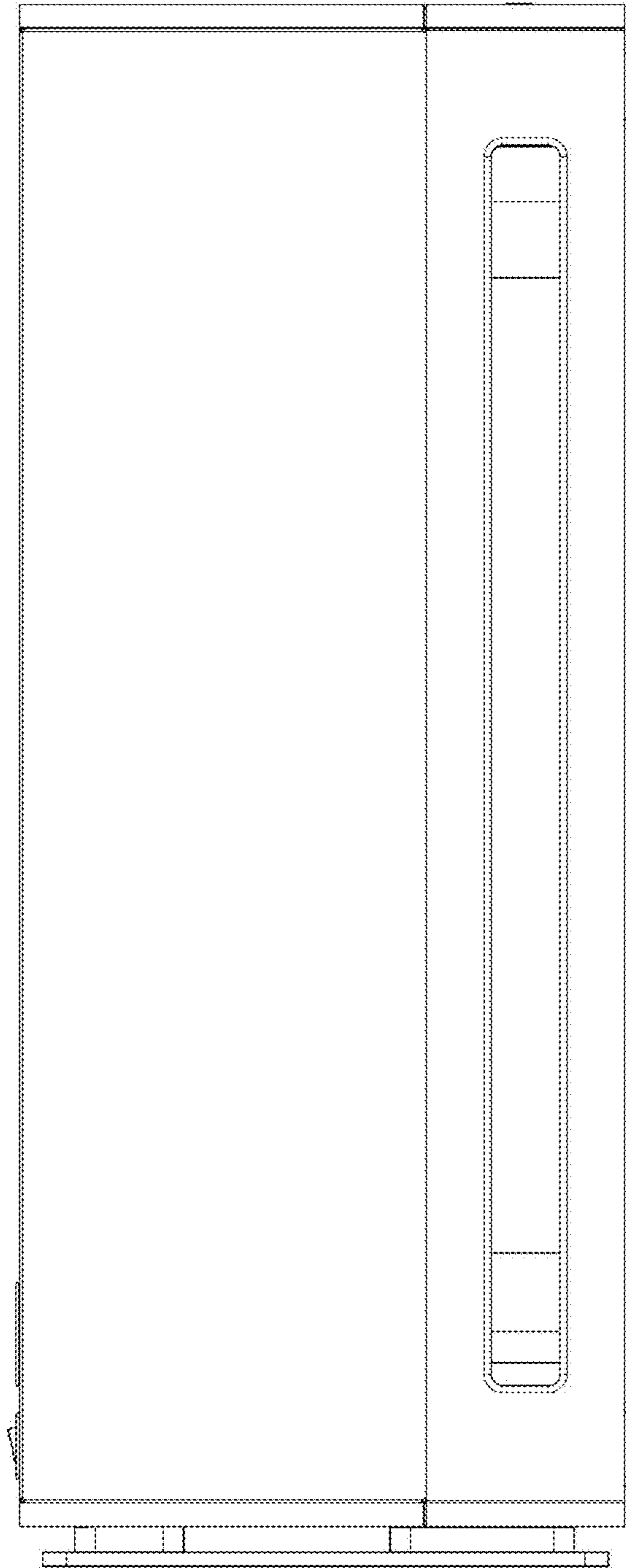


FIG. 4

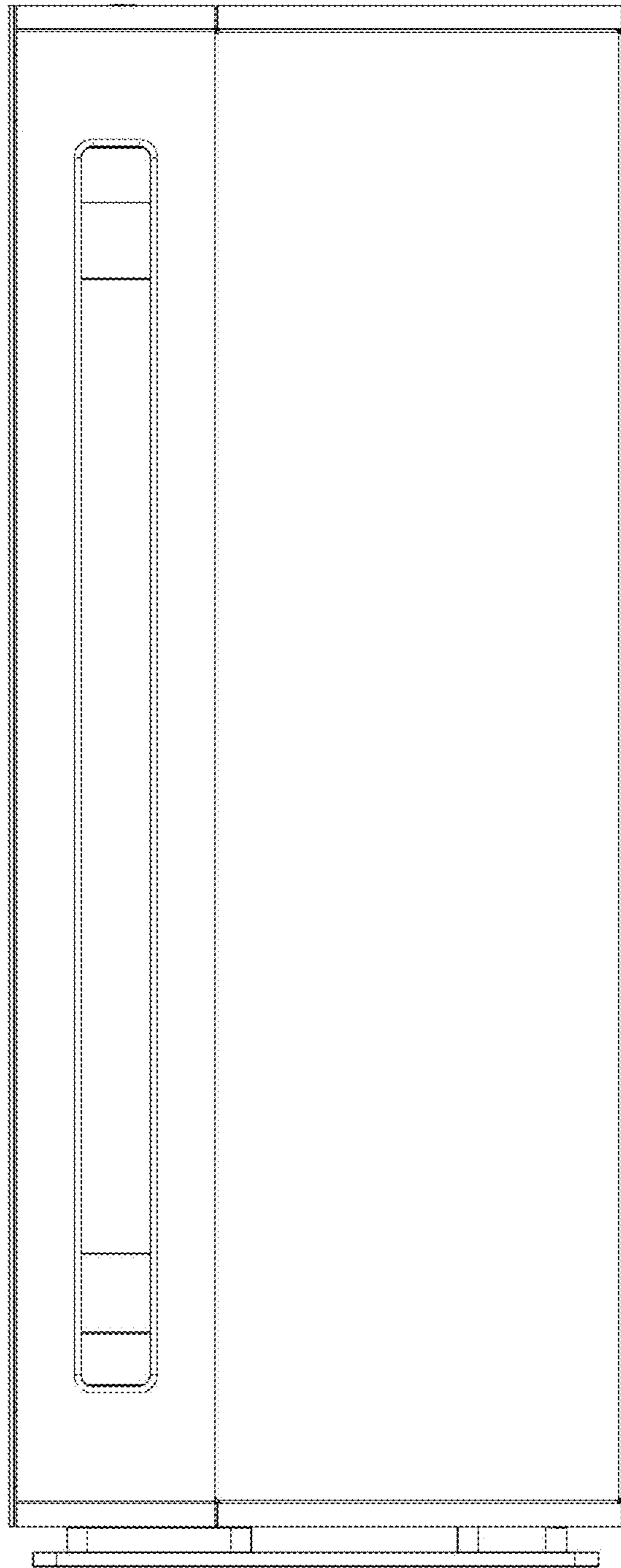


FIG. 5

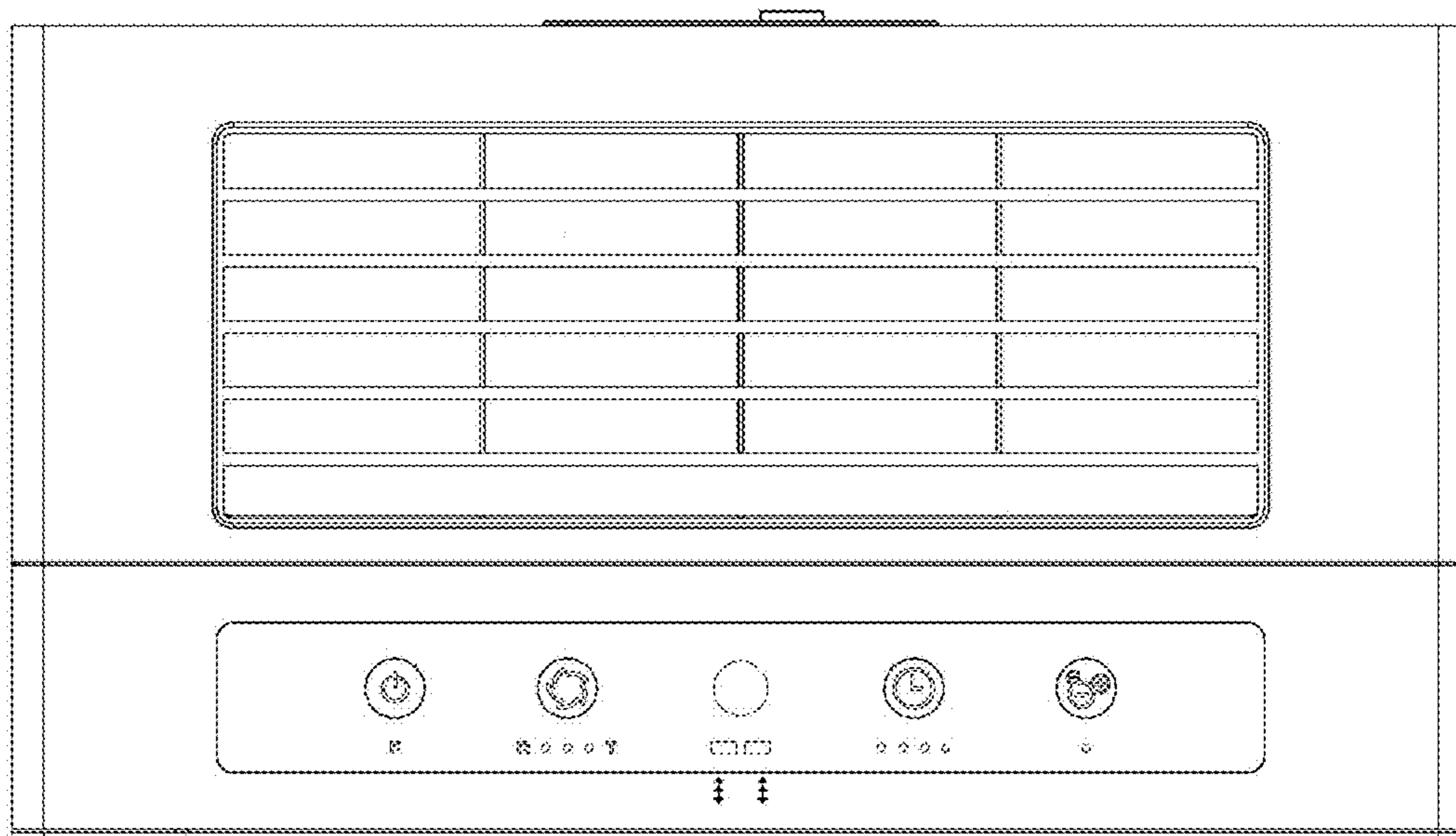


FIG. 6

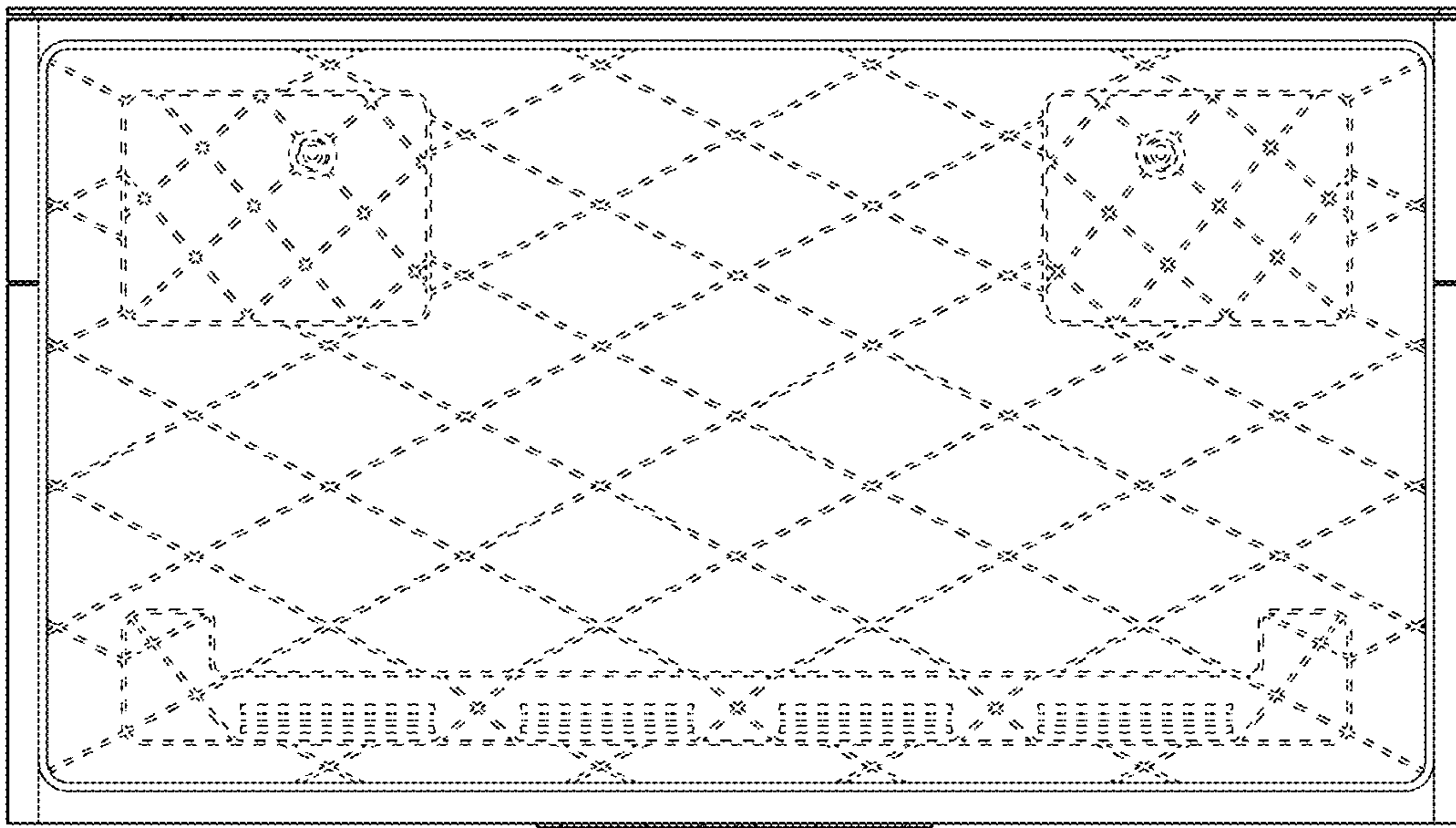


FIG. 7