



US00D803367S

(12) **United States Design Patent** (10) **Patent No.:** **US D803,367 S**  
**Petterson** (45) **Date of Patent:** **\*\* Nov. 21, 2017**

(54) **GRID BARBS**

(71) Applicant: **SPX COOLING TECHNOLOGIES, INC.**, Overland Park, KS (US)

(72) Inventor: **Robert Petterson**, Prairie Village, KS (US)

(73) Assignee: **SPX COOLING TECHNOLOGIES, INC.**, Overland Park, KS (US)

(\*\*) Term: **15 Years**

(21) Appl. No.: **29/533,347**

(22) Filed: **Jul. 16, 2015**

(51) **LOC (10) Cl.** ..... **23-04**

(52) **U.S. Cl.**  
USPC ..... **D23/354**

(58) **Field of Classification Search**  
USPC ..... D23/333, 335, 341, 342, 351, 353, 354,  
D23/355, 356, 359, 364, 365, 370, 385,  
D23/386, 388, 393  
CPC .... F24F 1/00; F24F 1/0007; F24F 1/02; F24F  
1/08; F24F 1/42; F24F 1/56; F24F 1/60;  
F24F 3/044; F24F 3/048; F24F 3/16;  
F24F 7/00; F24F 7/04; F24F 12/001;  
F24F 12/006

See application file for complete search history.

(56) **References Cited**

U.S. PATENT DOCUMENTS

6,385,987 B2 \* 5/2002 Schlom ..... F02C 7/143  
261/112.2  
6,715,740 B2 \* 4/2004 Engh ..... F28F 25/087  
261/112.1  
D508,561 S \* 8/2005 Raspotnig ..... D23/393

D514,210 S \* 1/2006 Ko ..... D23/330  
D547,428 S \* 7/2007 Kinney, Jr. .... D23/351  
D562,954 S \* 2/2008 Brenneke ..... D23/351  
D567,343 S \* 4/2008 Kinney, Jr. .... D23/330  
D581,511 S \* 11/2008 Rosten ..... D23/393  
D761,412 S \* 7/2016 Strehle ..... D23/412  
2005/0077637 A1 \* 4/2005 Mockry ..... F28C 1/14  
261/112.1  
2008/0073801 A1 \* 3/2008 Beltz ..... F28F 25/08  
261/111  
2016/0356549 A1 \* 12/2016 Yang ..... B01D 45/08

\* cited by examiner

*Primary Examiner* — George D. Kirschbaum

*Assistant Examiner* — Natasha Vujcic

(74) *Attorney, Agent, or Firm* — Baker & Hostetler LLP

(57) **CLAIM**

I claim, the ornamental design for grid barbs, as shown and described.

**DESCRIPTION**

FIG. 1 is a front perspective view of grid barbs showing our new design;

FIG. 2 is a front view of the grid showing the plurality of barbs according to FIG. 1;

FIG. 3 is a back view of the grid showing the plurality of barbs according to FIG. 1;

FIG. 4 is a top view of the grid according to FIG. 1;

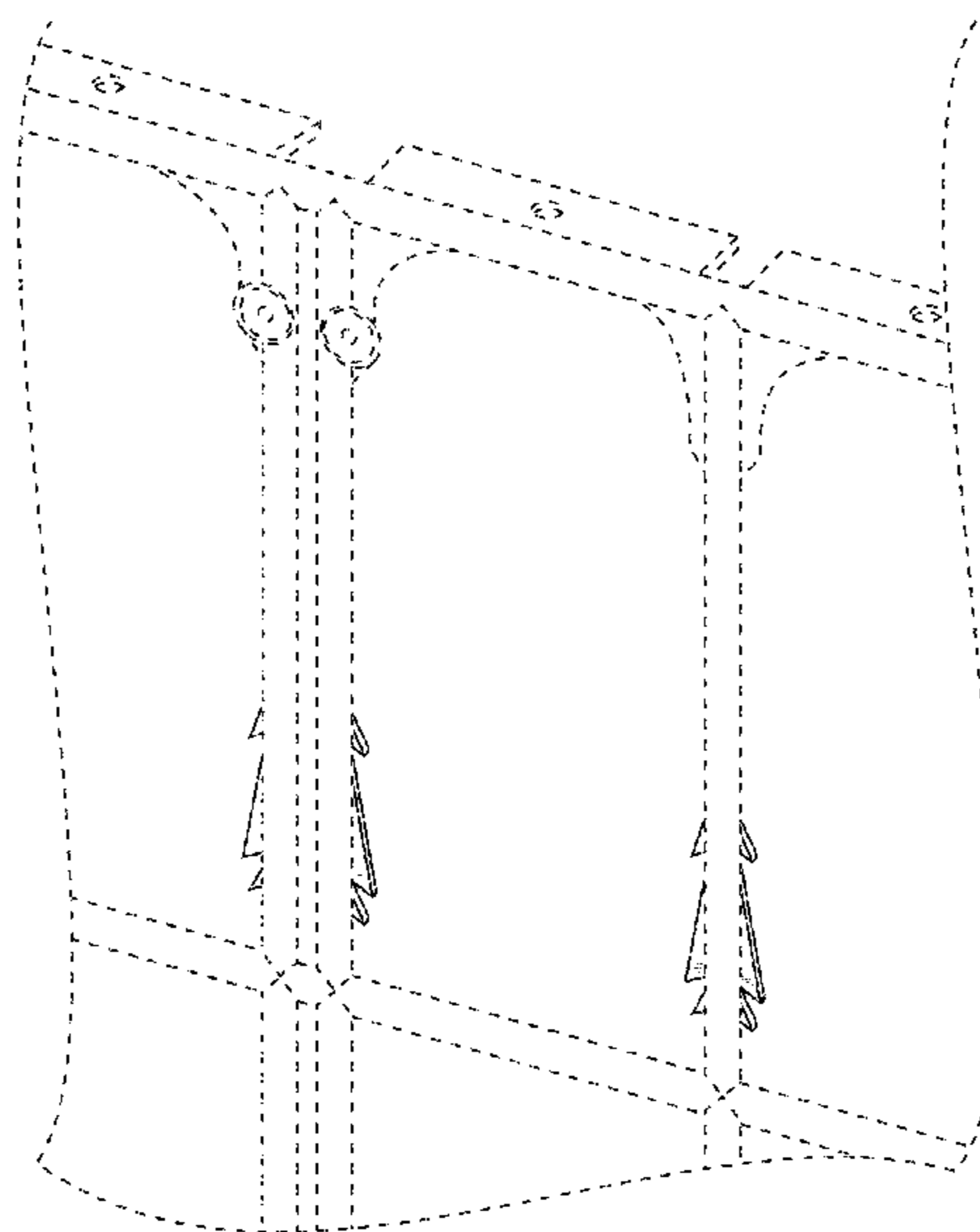
FIG. 5 is a bottom view of the grid according to FIG. 1;

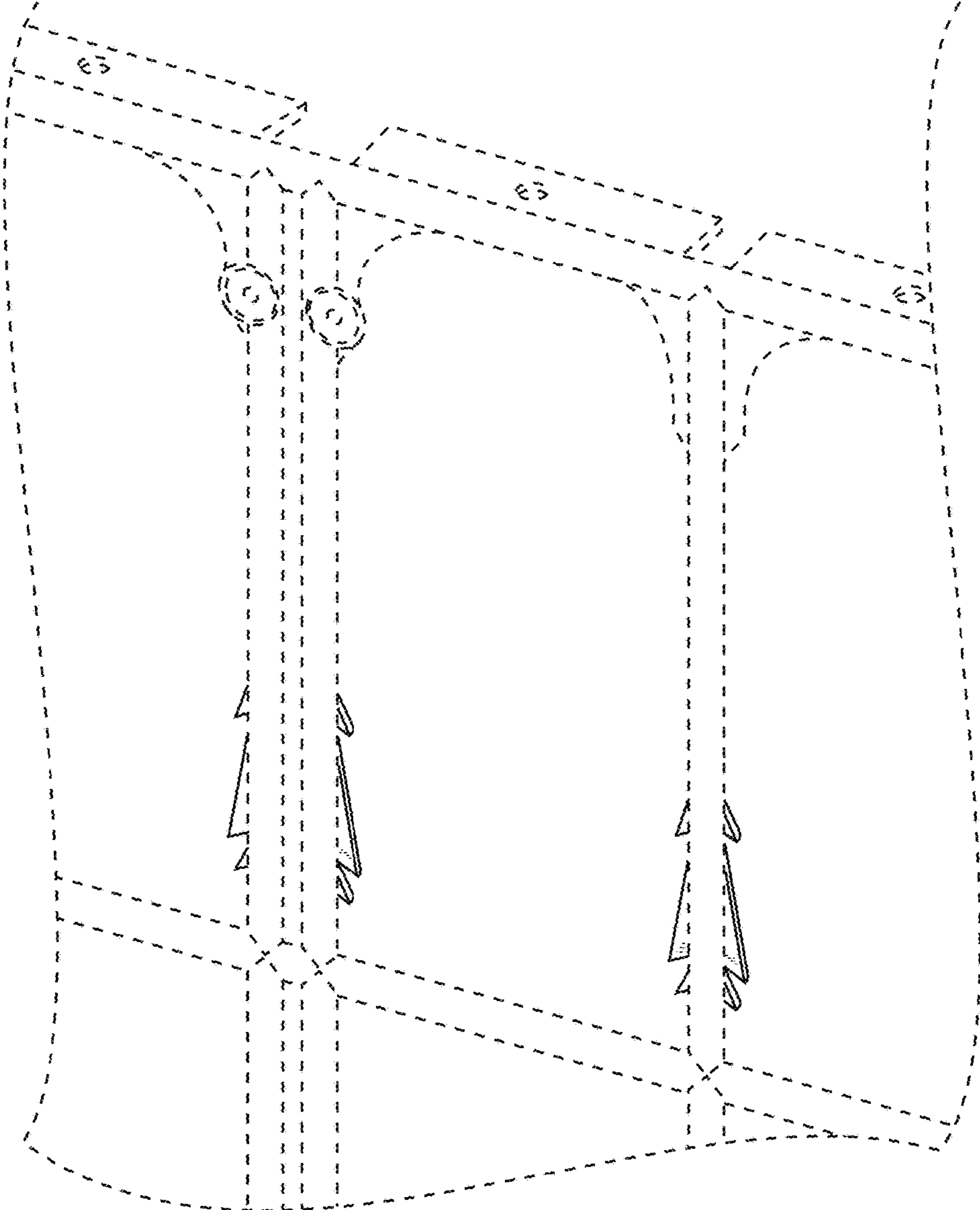
FIG. 6 is a right side view of the grid showing the plurality of barbs according to FIG. 1; and,

FIG. 7 is a left side view of the grid showing the grid barbs according to FIG. 1.

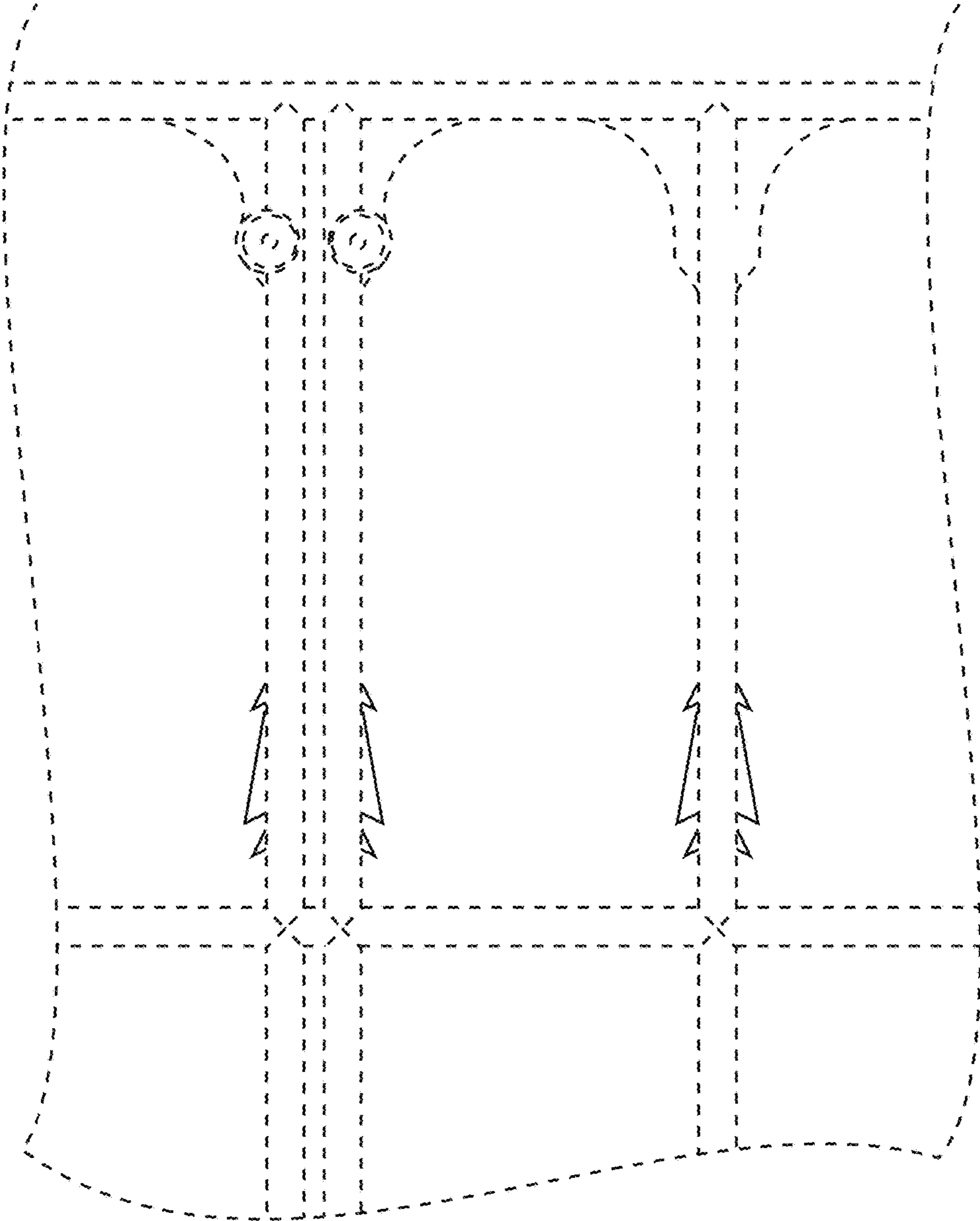
The broken lines in the drawings illustrates the environment of the grid barbs which form no part of the claimed design.

**1 Claim, 7 Drawing Sheets**

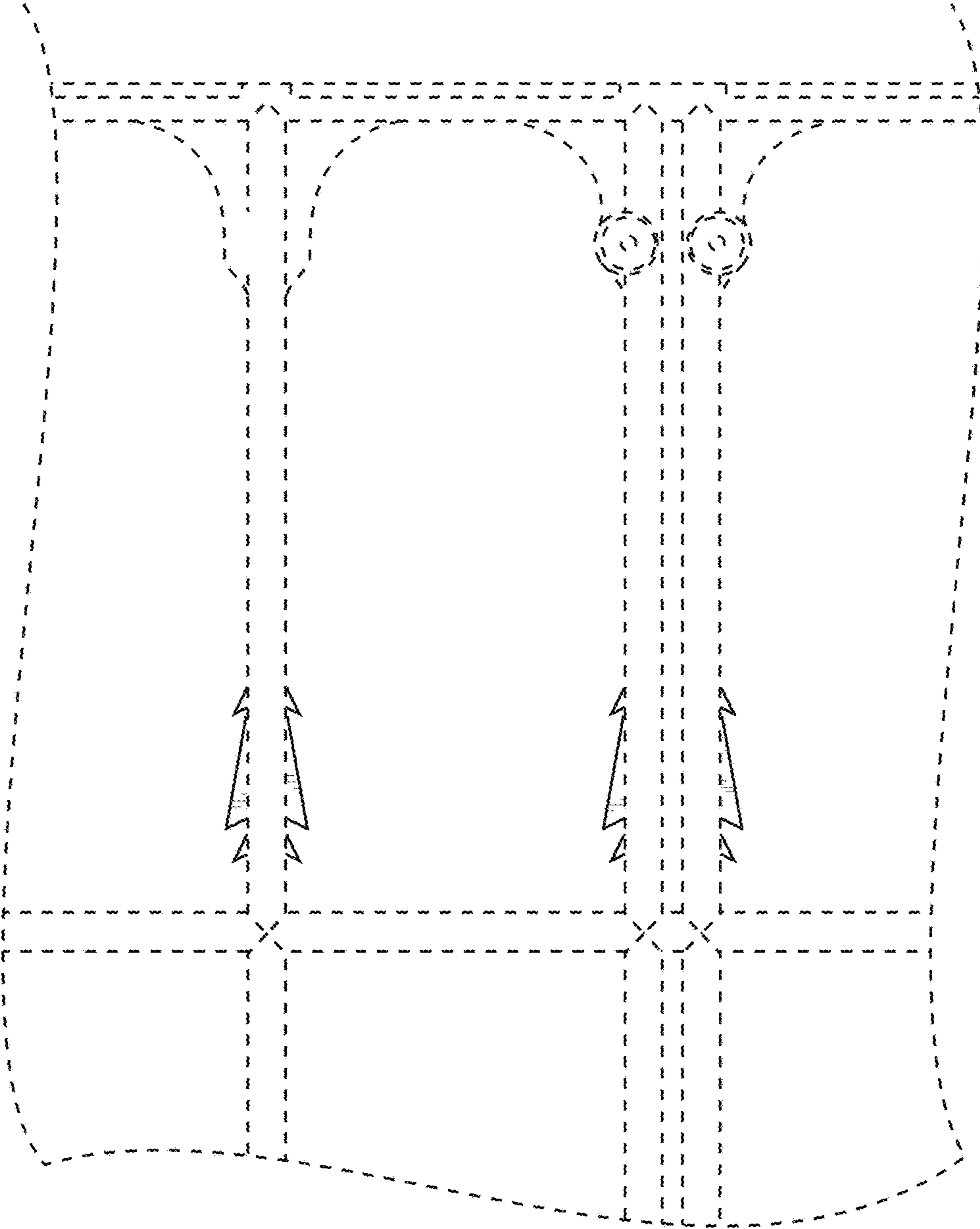




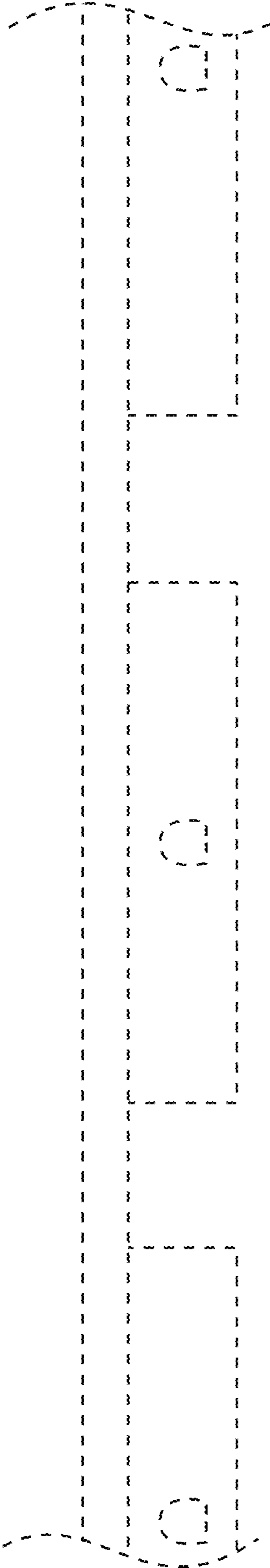
**FIG. 1**



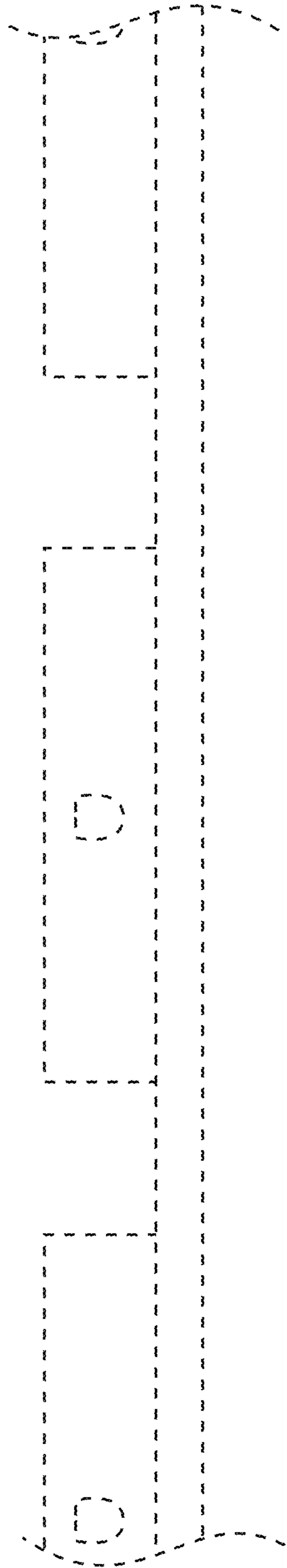
**FIG. 2**



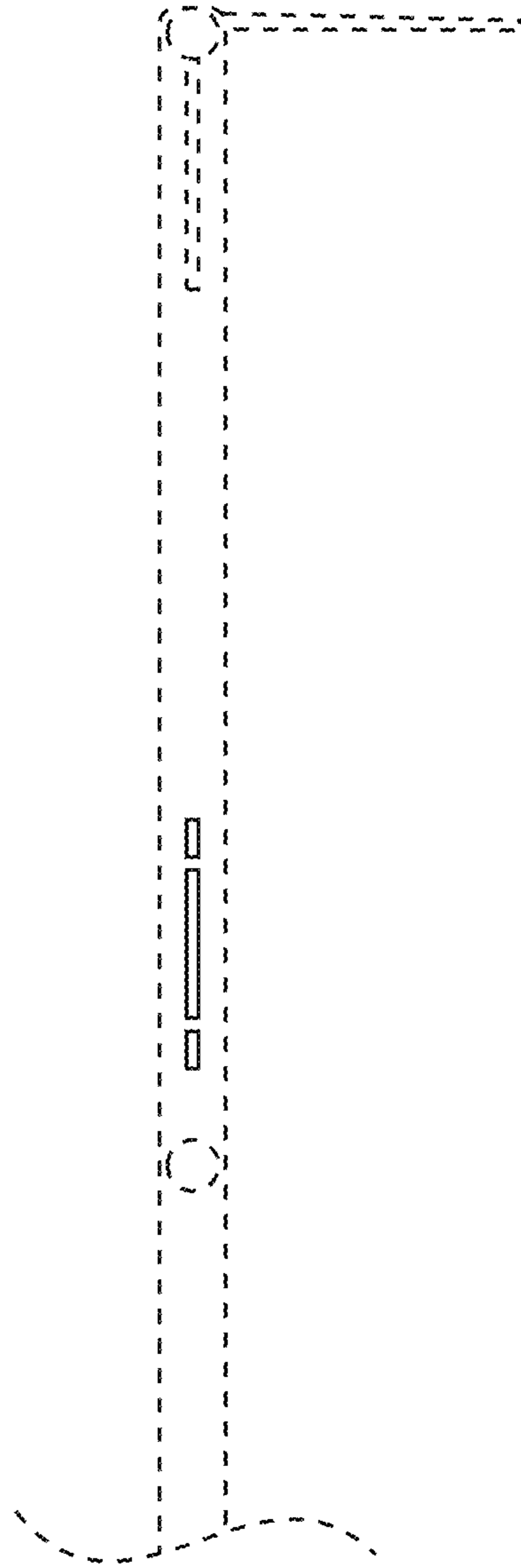
**FIG. 3**



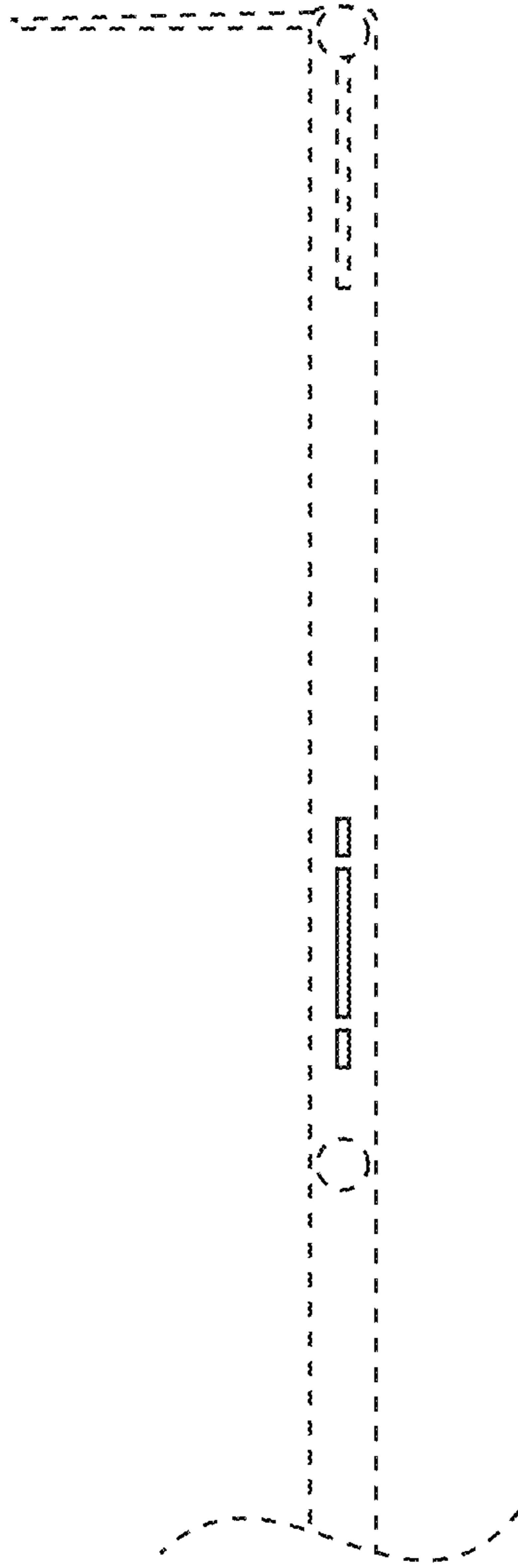
**FIG. 4**



**FIG. 5**



**FIG. 6**



**FIG. 7**