



US00D803363S

(12) **United States Design Patent** (10) **Patent No.:** **US D803,363 S**
Smith (45) **Date of Patent:** **** Nov. 21, 2017**

(54) **RADIANT HEATER**

(71) Applicant: **Bromic Pty Limited**, Ingleburn (AU)

(72) Inventor: **Scott Smith**, Ingleburn (AU)

(73) Assignee: **BROMIC PTY LTD**, Ingleburn (AU)

(**) Term: **15 Years**

(21) Appl. No.: **29/568,886**

(22) Filed: **Jun. 22, 2016**

(30) **Foreign Application Priority Data**

Dec. 22, 2015 (AU) 201516987

(51) **LOC (10) Cl.** **23-03**

(52) **U.S. Cl.**
USPC **D23/330**

(58) **Field of Classification Search**
USPC D23/317, 314, 330, 332-333, 334,
D23/335-337, 342, 351, 355, 378, 370,
D23/381, 364, 341; D20/10, 39, 40
CPC F24H 7/00; F24H 7/002; F24H 7/0208;
F24H 7/0216; F24H 9/02
See application file for complete search history.

(56) **References Cited**

U.S. PATENT DOCUMENTS

D189,430 S * 12/1960 Gross D26/78
D200,515 S * 3/1965 Miller D23/335
D211,993 S * 8/1968 Eno et al. D23/326
3,684,859 A * 8/1972 Desloge F24C 7/043
338/249
3,763,349 A * 10/1973 Desloge F24C 7/043
219/536
D267,971 S * 2/1983 Harrison D23/337
D271,861 S * 12/1983 Patton D20/10
D303,814 S * 10/1989 Beck D20/39
D350,778 S * 9/1994 Kaoh D20/42
D361,125 S * 8/1995 Wolf D23/314
D551,327 S * 9/2007 Lamanna D23/314

D558,865 S * 1/2008 Yoo D23/351
D605,270 S * 12/2009 Vibrans D23/351
D618,778 S * 6/2010 Kuepper D23/351
D619,690 S * 7/2010 Ragaini D23/330
D647,971 S * 11/2011 Browne D20/10
D652,126 S * 1/2012 Smith D23/342
D652,128 S * 1/2012 Smith D23/342
D652,129 S * 1/2012 Smith D23/342
D652,495 S * 1/2012 Smith D23/342
D683,000 S * 5/2013 Smith D23/314
D691,251 S * 10/2013 Couture D23/342
D733,548 S * 7/2015 Brown D14/447
D737,418 S * 8/2015 Hrydovyy D23/342

(Continued)

OTHER PUBLICATIONS

Comparison.com.au, Heatstrip THH 2400 Electric Radiant Heater, product page [online], undated, Retrieved Apr. 6, 2017 from <URL:http://www.comparison.com.au/heaters/heatstrip/THH-2400>.*

Primary Examiner — Sheryl Lane
Assistant Examiner — Calvin E Vansant
(74) *Attorney, Agent, or Firm* — Cantor Colburn LLP

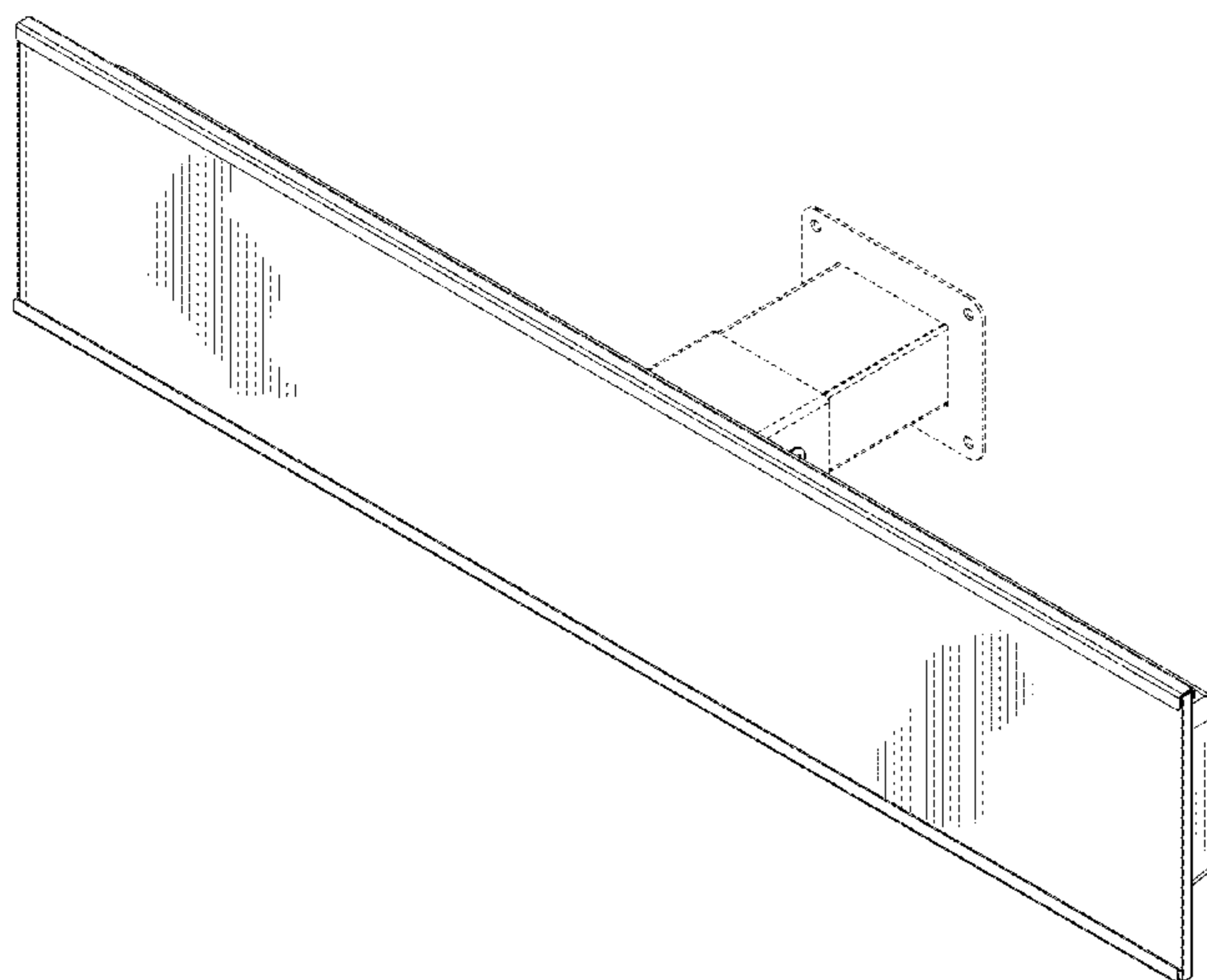
(57) **CLAIM**

The ornamental design for a radiant heater, as shown and described.

DESCRIPTION

FIG. 1 is a front perspective view of a radiant heater showing our new design;
FIG. 2 is a front view thereof;
FIG. 3 is a rear view thereof;
FIG. 4 is a top view thereof;
FIG. 5 is a bottom view thereof;
FIG. 6 is a side view thereof; and,
FIG. 7 is another side view thereof.
The broken lines in the figures show portions of the radiant heater that form no part of the claimed design.

1 Claim, 4 Drawing Sheets



(56)

References Cited

U.S. PATENT DOCUMENTS

D757,918 S * 5/2016 Messmer D23/341
D762,290 S * 7/2016 Jepson D23/342
2009/0279879 A1* 11/2009 Zenteno F24C 7/043
392/416
2014/0374403 A1* 12/2014 Smith H05B 3/148
219/522

* cited by examiner

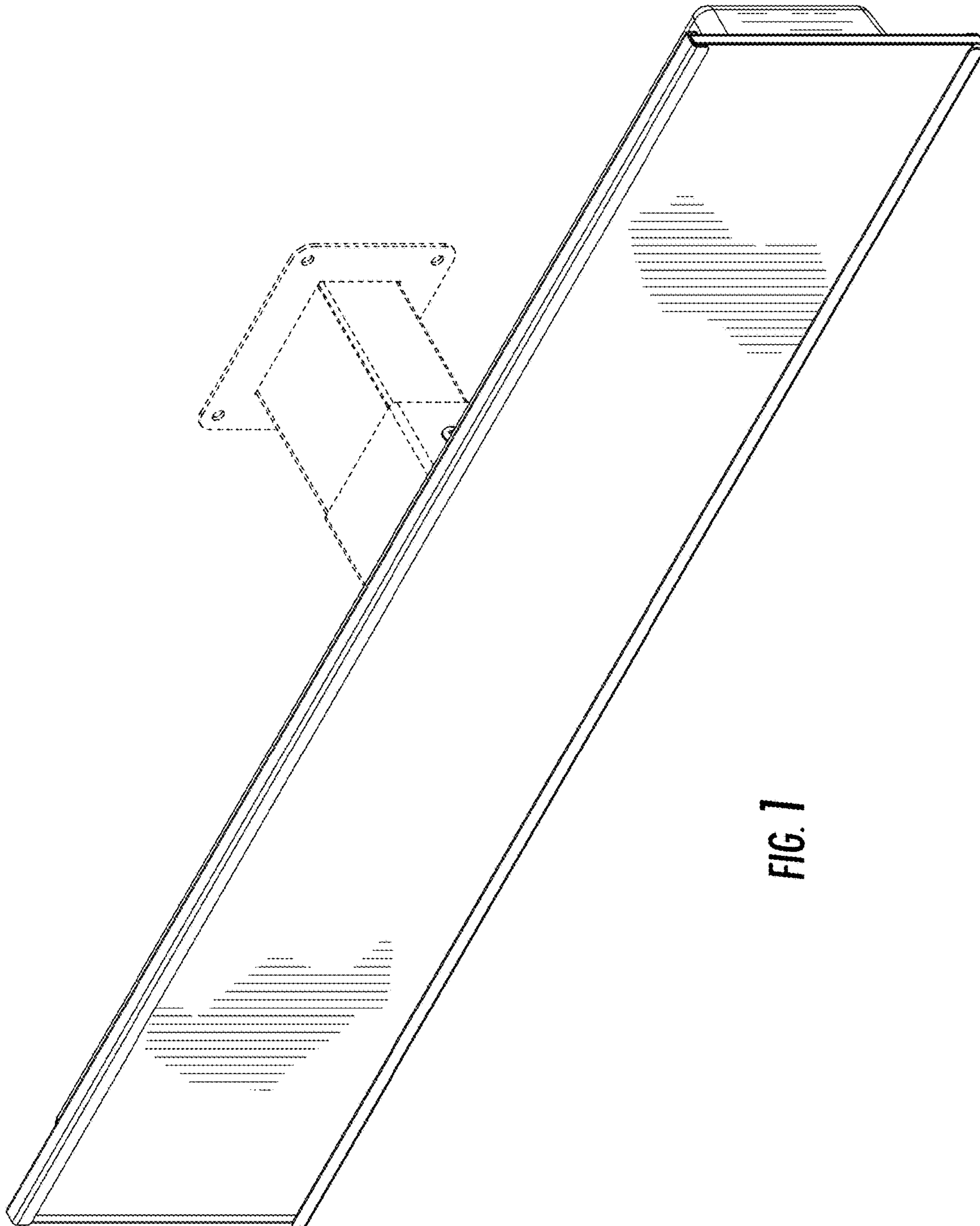


FIG. 1

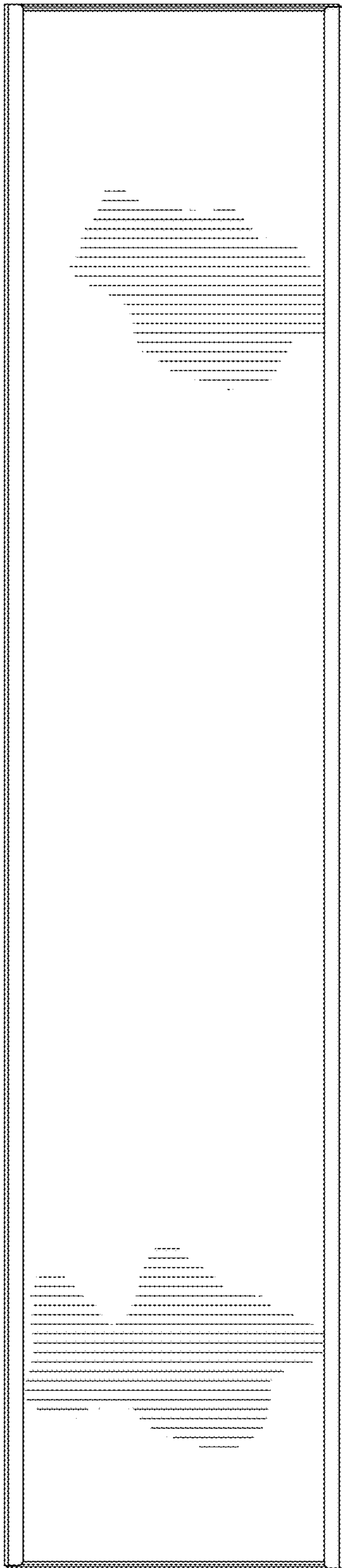


FIG. 2

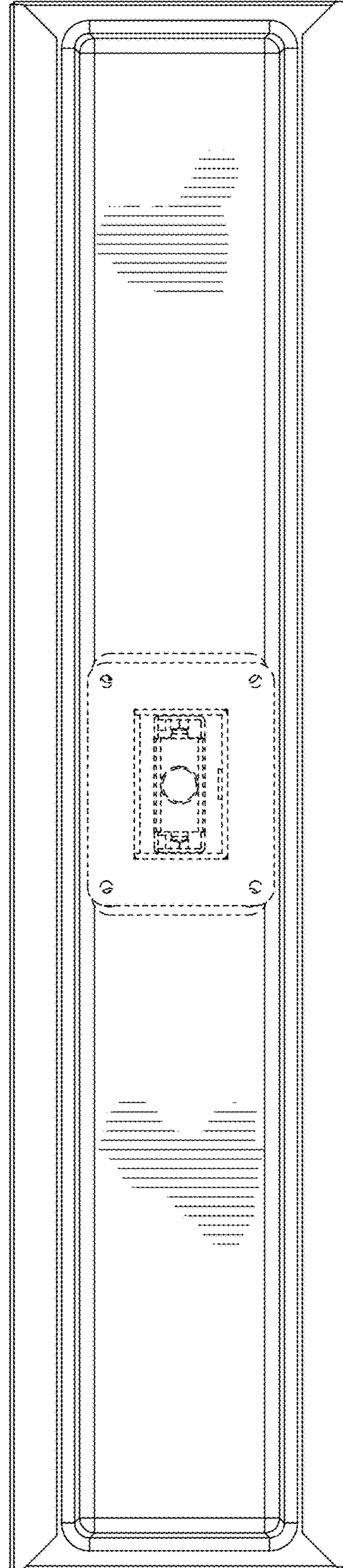


FIG. 3

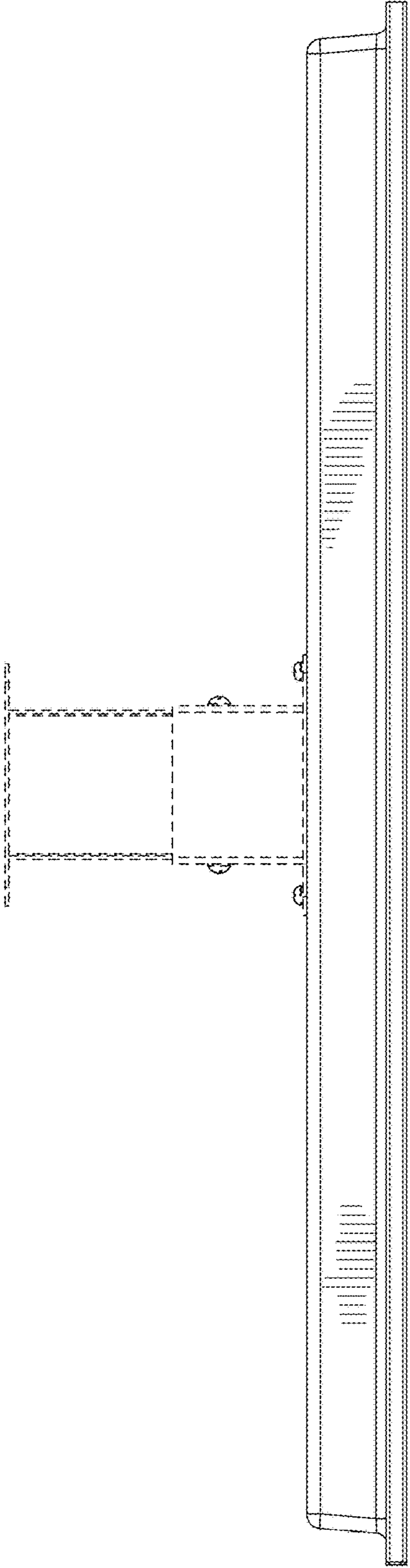


FIG. 4

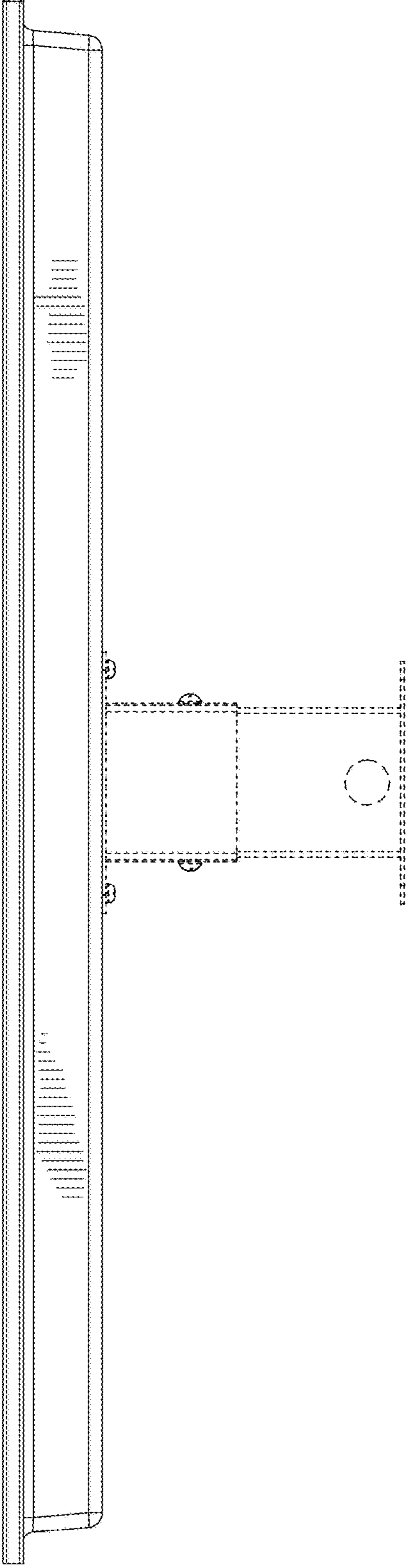


FIG. 5

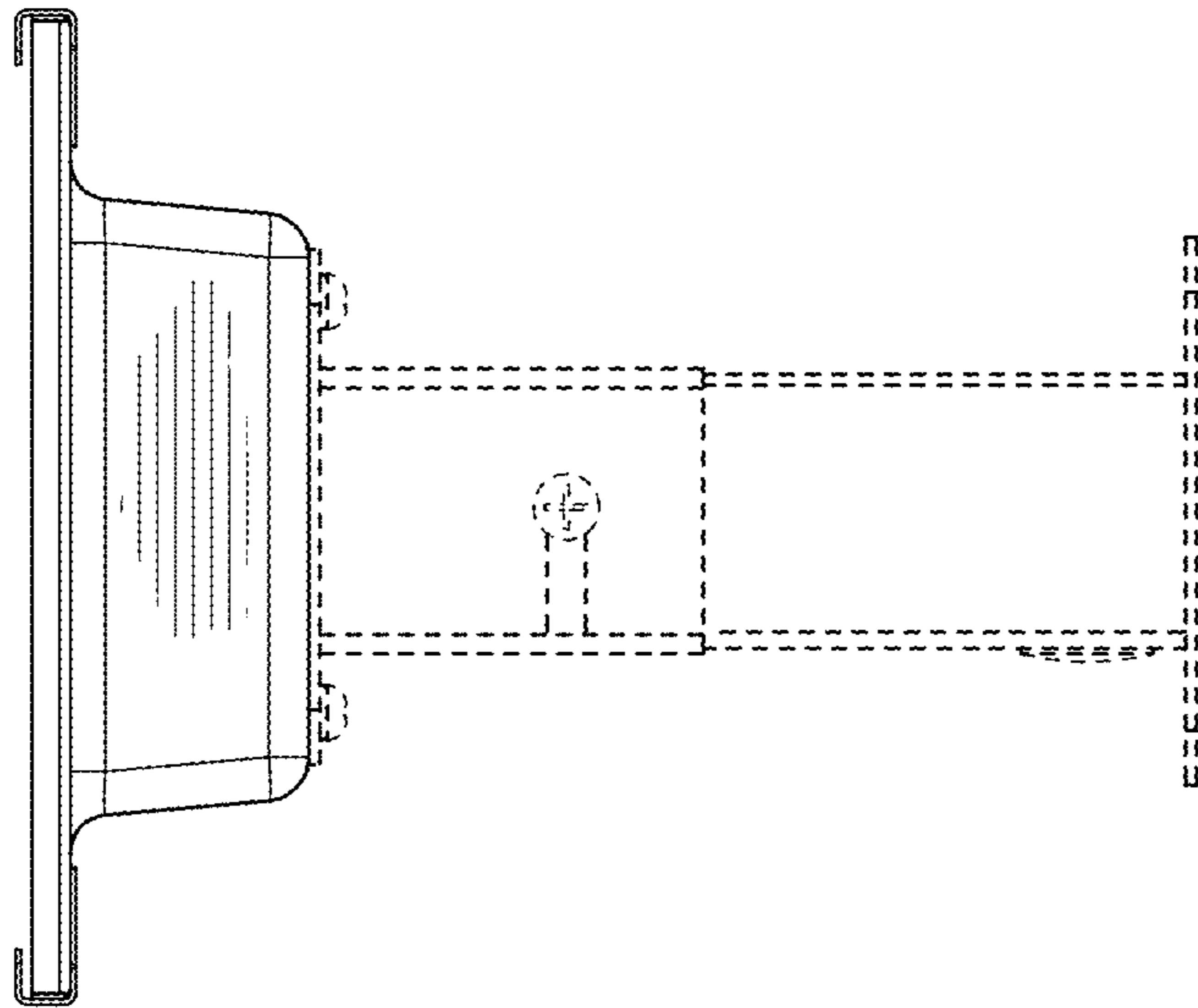


FIG. 6

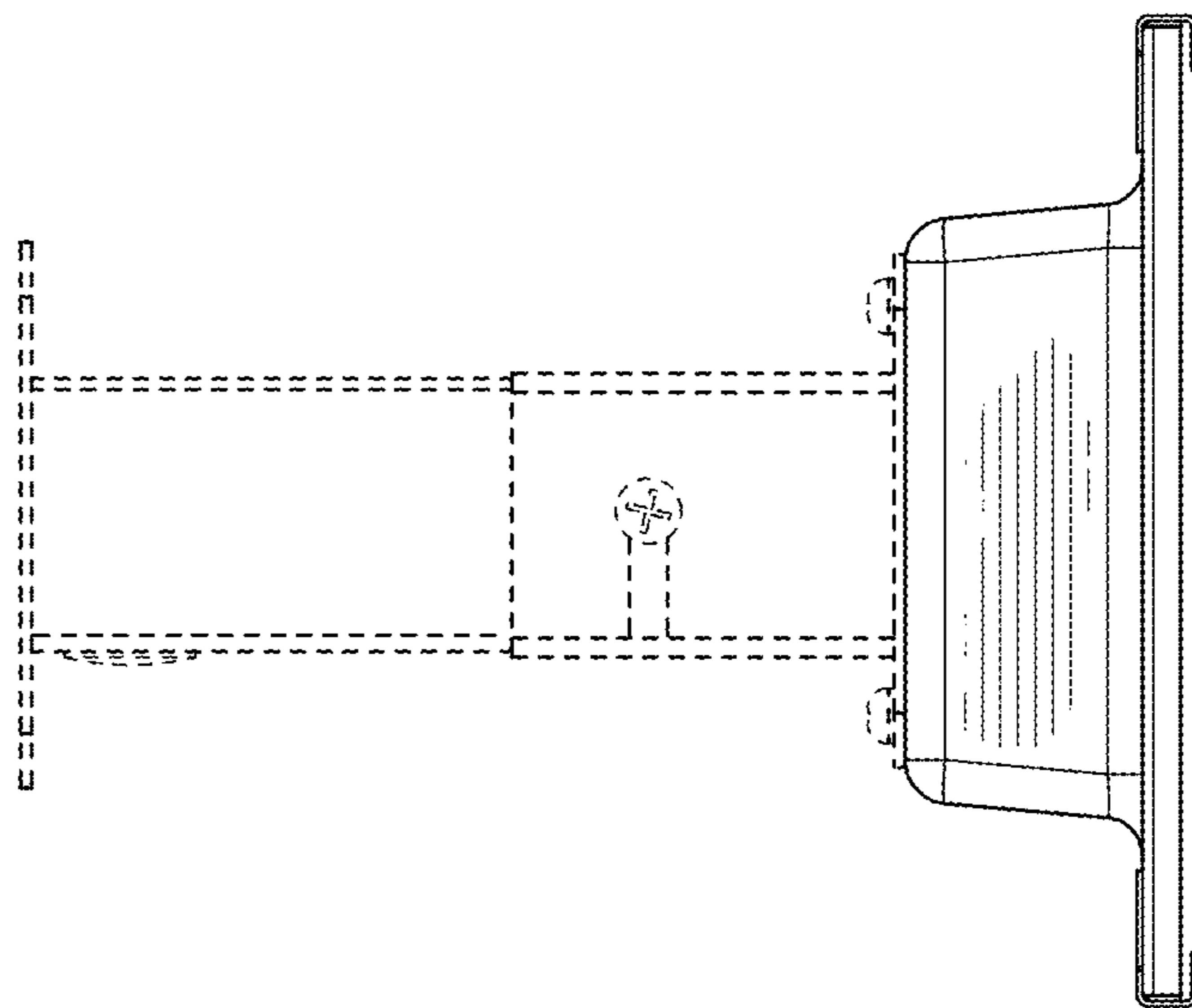


FIG. 7